

# 1994 Accord Coupe Online Reference Owner's Manual

Use these links (and links throughout this manual) to navigate through this reference.  
For a printed owner's manual, click on authorized manuals or go to [www.helminc.com](http://www.helminc.com).

## Contents

---

### Owner's Identification Form

<b>Introduction</b> .....	<b>i</b>
<b>A Few Words About Safety</b> .....	<b>ii</b>
<b>Driver and Passenger Safety</b> .....	<b>3</b>
Proper use and care of your vehicle's seat belts, and Supplemental Restraint System.	
<b>Instruments and Controls</b> .....	<b>31</b>
Instrument panel indicator and gauge, and how to use dashboard and steering column controls.	
<b>Comfort and Convenience Features</b> .....	<b>69</b>
How to operate the climate control system, the audio system, and other convenience features.	
<b>Before Driving</b> .....	<b>101</b>
What gasoline to use, how to break-in your new vehicle, and how to load luggage and other cargo.	
<b>Driving</b> .....	<b>111</b>
The proper way to start the engine, shift the transmission, and park, plus towing a trailer.	
<b>Maintenance</b> .....	<b>131</b>
The Maintenance Schedule shows you when you need to take your vehicle to the dealer.	
<b>Appearance Care</b> .....	<b>179</b>
Tips on cleaning and protecting your vehicle. Things to look for if your vehicle ever needs body repairs.	
<b>Taking Care of the Unexpected</b> .....	<b>187</b>
This section covers several problems motorists sometimes experience, and how to handle them.	
<b>Technical Information</b> .....	<b>211</b>
ID numbers, dimensions, capacities, and technical information.	
<b>Warranty and Customer Relations (U.S. and Canada)</b> .....	<b>225</b>
A summary of the warranties covering your new Acura, and how to contact us.	
<b>Authorized Manuals (U.S. only)</b> .....	<b>231</b>
How to order manuals and other technical literature.	
<b>Index</b> .....	<b>I</b>
<b>Gas Station Information</b>	
Information you need when you pull up to the fuel pump.	

Congratulations ! Your selection of a 1994 Honda Accord was a wise investment. It will give you years of driving pleasure.

To enhance the enjoyment of your new car, take time to study this manual. In it, you will learn about your car's many conveniences and useful features. Following the service interval and maintenance recommendations will help keep your driving trouble-free while preserving your investment.

Keep this owner's manual in your car so you can refer to it at any time. Please make sure the manual stays with the car if you sell it. The next owner will find it just as helpful.


Several warranties protect your Honda. We suggest you read the warranty booklets carefully to fully understand the coverages and the responsibilities of ownership.

When your car needs scheduled maintenance, keep in mind that your Honda dealer's service staff is specially-trained in the service and maintenance of the many systems unique to your Honda. Your Honda dealer is dedicated to your satisfaction and will be pleased to answer any questions and concerns.

## Safety Messages

---

Your safety and the safety of others is very important. We have provided many important safety messages in this manual and on the vehicle. Please read these messages carefully.

A safety message alerts you to potential hazards that could hurt you or others. Each safety message is preceded by a safety alert symbol  and one of three words, **DANGER**, **WARNING** or **CAUTION**. These mean:

**You WILL be KILLED or SERIOUSLY HURT if you don't follow instructions.**

**You CAN be KILLED or SERIOUSLY HURT if you don't follow instructions.**

**You CAN be HURT if you don't follow instructions.**

Each safety message tells you what the hazard is, what can happen and what you can do to avoid or reduce injury.

You will also see another important symbol:

### NOTICE

Your Honda or other property can be damaged if you don't follow instructions.

This section gives you important information about occupant protection. It shows how to use seat belts properly. It explains the Supplemental Restraint System. And it gives useful information about how to protect infants and children in your car.

Your Occupant Protection System..	4	Door Locks.....	18
The Seat Belt System and How It Works.....	5	Storing Cargo Safely.....	18
Why Wear Seat Belts.....	5	Driving with Pets.....	18
Seat Belt System Components.....	6	Child Safety.....	19
Lap/Shoulder Belt.....	6	Where Should Children Sit?.....	19
Lap Belt.....	6	Important Safety Reminders.....	20
Wearing Seat Belts Properly.....	7	General Guidelines for Restraining Children Under 18 kg (40 lbs) .....	21
Wearing a Lap/Shoulder Belt.....	7	Restraining an Infant Who Weighs Less Than 9 kg (20 lbs).....	21
Wearing the Lap Belt.....	9	Restraining a Child Who Weighs Between 9 and 18 kg (20 and 40 lbs).....	22
Advice for Pregnant Women.....	10	Restraining a Child Who Weighs Over 18 kg (40 lbs).....	23
Seat Belt Maintenance.....	10	Using a Seat Belt Locking Clip..	23
Supplemental Restraint System.....	11	Using Child Restraints with Tethers.....	24
Important Safety Reminder.....	12	Storing a Child Seat.....	25
How the Driver's Airbag Works.....	13	Alcohol and Drugs.....	26
How the Passenger's Airbag Works.....	14	Carbon Monoxide Hazard.....	27
How the SRS Indicator Light Works.....	15	Safety Labels.....	28
System Service.....	15		
System Service Precautions.....	16		
Additional Safety Information.....	17		
Seat-back Position.....	17		
Head Restraint Position.....	17		

# Your Occupant Protection System

---

Your Honda is equipped with seat belts and other features that work together to protect you and your passenger during a crash.

Seat belts are the most important part of your occupant protection system. When worn properly, seat belts can reduce the chance of serious injury or death in a crash.

For added protection during a severe frontal collision, your Accord has a Supplemental Restraint System (SRS) with airbags for the driver and a front seat passenger.

Two indicator lights are also part of your safety system. One reminds you to make sure you and your passengers wear seat belts. The other alerts you to a possible problem with your supplemental restraint system (see page 15 ).

The seats, head restraints, and door locks also play a role in occupant safety. For example, reclining the seat-back can decrease the effectiveness of your seat belt. Head restraints can help protect your neck and head, especially during rear-end impacts. Door locks help keep your doors from being accidentally opened during a crash.

To get the maximum protection from your occupant protection system, check the following before you drive away:

- Everyone in the car is wearing a seat belt properly (see page 7 ).
- Infants and small children are properly secured in child safety seats (see page 19 ).
- Both doors are closed and locked (see page 18 ).
- Seat-backs are upright and head restraints are properly adjusted (see pages 17 and 54 ).
- There are no loose items that could be thrown around and hurt someone during a crash or sudden stop (see page 18 ).

By following these guidelines, you can reduce injuries to yourself and your passengers in many crash situations. Remember, however, that no safety system can prevent all injuries or deaths that can occur in severe crashes.

## Why Wear Seat Belts

Wearing seat belts, and wearing them properly, is fundamental to your safety and the safety of your passengers.

During a crash or emergency stop, seat belts can help keep you from being thrown against the inside of the car, against other occupants, or out of the car.

Of course, seat belts cannot completely protect you in every crash. But, in most cases, seat belts reduce your chance of serious injury. They can even save your life. That is why many states and all Canadian provinces require you to wear seat belts.

**Not wearing a seat belt increases the chance of being killed or seriously hurt in a crash.**

**Be sure you and your passengers always wear seat belts and wear them properly.**

## Important Safety Reminders

Seat belts are designed for adults and larger children. All infants and small children must be properly restrained in child safety seats (see page 19).

A pregnant woman needs to wear a seat belt to protect herself and her unborn child (see page 10).

Two people should never use the same seat belt. If they do, they could be very seriously injured in a crash.

Do not place the shoulder portion of a lap/shoulder belt under your arm or behind your back. This could increase the chance of serious injuries in a crash.

Do not put shoulder belt pads or other accessories on seat belts. They can reduce the effectiveness of the belts and increase the chance of injury.

# The Seat Belt System and How It Works

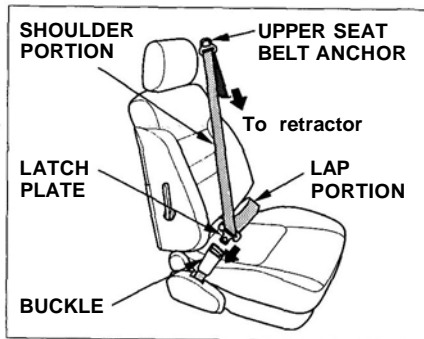
## Seat Belt System Components

Your Honda has seat belts in all five seating positions. The front seats and the outside positions of the rear seat have lap/shoulder belts. The center position of the rear seat has a lap belt.

Your seat belt system also includes a light on the instrument panel to remind you to fasten your seat belt, and to make sure your passengers fasten theirs. This light comes on when you turn on the ignition if you have not fastened your seat belt. A beeper also sounds for several seconds (see page 34).

The following pages cover more about the seat belt components and how they work.

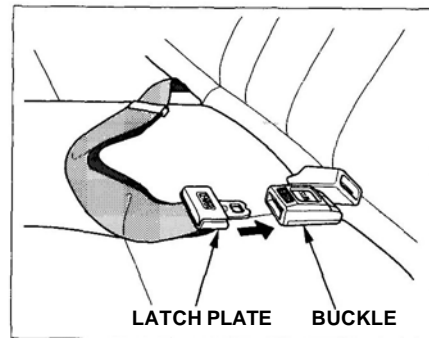
## Lap/Shoulder Belt



This style of seat belt has a single belt that goes over your shoulder, across your chest, and across your hips.

Each lap/shoulder belt has an emergency locking retractor. In normal driving, the retractor lets you move freely in your seat while it keeps some tension on the belt. During a collision or sudden stop, the retractor automatically locks the belt to help restrain your body.

## Lap Belt



The lap belt has one manually-adjusted belt that fits across the hips. It is similar to safety belts used in airplanes.

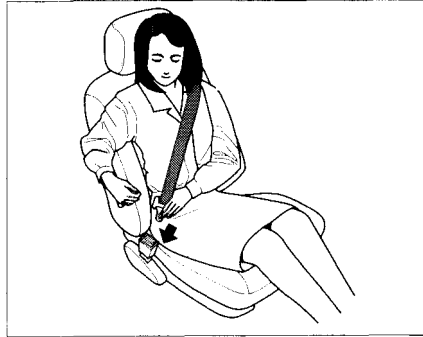
## Wearing Seat Belts Properly

You can increase the effectiveness of your seat belts if you take a little time to read the following pages and make sure you know how to wear seat belts properly.

**Not wearing a seat belt properly increases the chance of serious injury or death in a crash.**

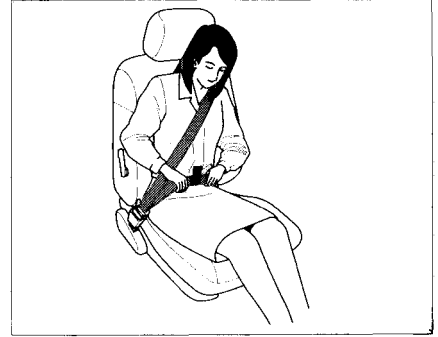
**Be sure you and your passengers always wear seat belts and wear them properly.**

## Wearing a Lap/Shoulder Belt



Before putting on a front seat belt, be sure your seat is adjusted forward or backward to a good driving or riding position and the back of your seat is upright (see page 54).

1. Pull the latch plate across your body and insert it into the buckle. Tug on the belt to make sure the latch is securely locked.



2. Check that the belt is not twisted.
3. Position the lap portion of the belt as low as possible across your hips, not across your stomach. This lets your strong pelvic bones take the force of a crash.

*CONTINUED*

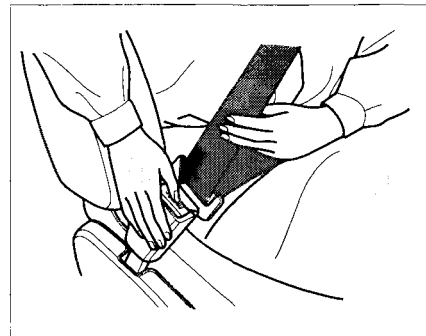


## The Seat Belt System and How It Works



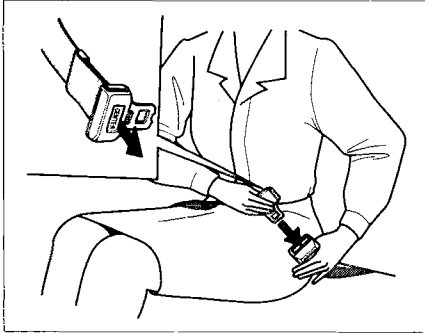
4. Pull up on the shoulder part of the belt to remove any slack. Make sure the belt goes over your collarbone and across your chest.

5. If the shoulder belt crosses your neck while you are sitting in one of the outside positions of the rear seat, you need to adjust your seating position. Move toward the center of the seat until the belt fits over your collarbone.



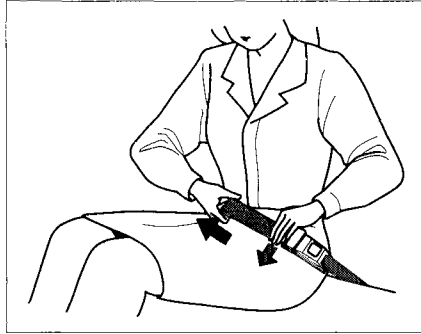
To unclatch the seat belt, push the red PRESS button on the buckle. Guide the belt across your body to the door pillar. If the belt doesn't retract easily, pull it out and check for twists or kinks.

## Wearing the Lap Belt

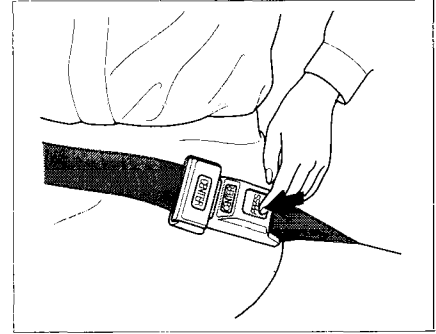


1. Pull the latch plate across your hips and insert it into the buckle marked **CENTER**.

If the belt is too short, hold the latch plate at a right angle and pull it to extend the belt while sliding the tail toward the latch. Insert the latch plate into the buckle.



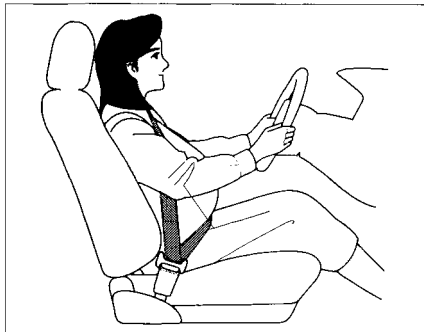
2. Position the belt as low as possible across your hips and pelvic bones, not across your stomach. Pull the loose end of the belt to adjust for a snug but comfortable fit.



To unfasten the belt, push the red **PRESS** button on the buckle.

# The Seat Belt System and How It Works

## Advice for Pregnant Women



Protecting the mother is the best way to protect her unborn child. Therefore, a pregnant woman should wear a properly-positioned seat belt whenever she drives or rides in a car.

If possible, use the lap/shoulder seat belt, remembering to keep the lap portion as low as possible (see page [7](#) ).

Each time you have a check-up, ask your doctor if it's okay for you to drive and how you should position a lap/shoulder seat belt.

## Seat Belt Maintenance

For safety, you should check the condition of your seat belts regularly.

Pull out each belt fully and look for frays, cuts, burns, and wear. Check that the latches work smoothly and the lap/shoulder belts retract easily. Any belt not in good condition or not working properly should be replaced.

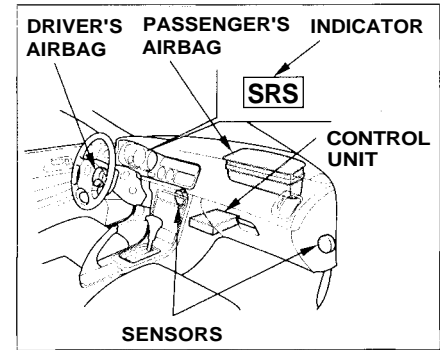
If a seat belt is worn during a crash, have your dealer replace the belt and inspect the anchors for damage.

For information on how to clean your seat belts, see page [184](#) .

Your Honda is equipped with a Supplemental Restraint System (SRS) to help protect your head and chest during a severe frontal collision. *This system does not replace your seat belt.* It supplements, or adds to, the protection offered by your seat belt.

**Not wearing a seat belt increases the chance of serious injury or death in a crash, even if you have an airbag.**

**Be sure you and your passengers always wear seat belts and wear them properly.**



The main components in your SRS are:

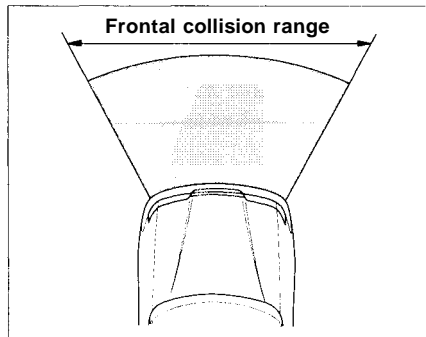
- One airbag in the steering wheel for the driver and another in the dashboard for the passenger.
- A diagnostic system that, when the ignition is ON (II), continually monitors the sensors, control unit, airbag activator, and all related wiring.

*CONTINUED*

## Supplemental Restraint System

- An indicator light to warn you of a possible problem with the system.
- Emergency power backup in case your car's electrical system is disconnected in a crash.

### Important Safety Reminder



Even with an airbag, you need to wear a seat belt. The reasons are:

- Airbags only inflate in severe frontal collisions. They offer no protection in rear impacts, side impacts, rollovers, or moderate frontal collisions.
- An airbag inflates and deflates very quickly. It cannot protect you during any additional impacts that can occur during a crash.
  - A seat belt helps keep you in the proper position when an airbag inflates. An airbag opens with considerable force and can hurt you if you are not in the proper position.

### How the Driver's Airbag Works



If you ever have a severe frontal collision, your airbag will instantly inflate to help protect your head and chest.

When the airbag inflates, you may hear a fairly loud noise and you might see smoke or powder. This is normal; it is caused by the inflation of the airbag.

To do its job, the airbag inflates with considerable force. So, while it can reduce serious injuries and even save your life, the airbag might cause some facial abrasions or other injuries. For this reason, you should always sit as far back from the steering wheel as comfortable while still maintaining control.



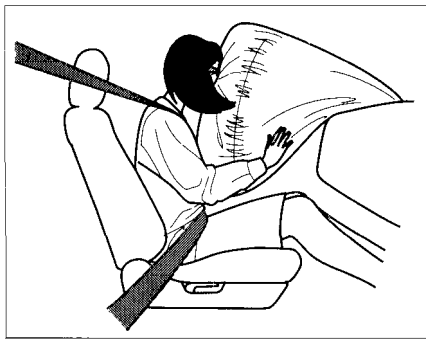
After the bag completely inflates, it immediately starts deflating so it won't interfere with your visibility, ability to steer, or ability to operate other controls. The total time for inflation and deflation takes less than a fraction of a second. You may not even be aware that the airbag has been fully inflated.

*CONTINUED*

## Supplemental Restraint System

The airbag is stored in the center of the steering wheel. For your safety, do not attach any items to the steering wheel. They could interfere with the proper operation of the airbag. Or, if the airbag inflates, they could be propelled inside the car and hurt someone.

### How the Passenger's Airbag Works



If you ever have a severe frontal collision, the passenger's airbag will inflate at the same time as the driver's airbag.

This airbag is quite large and inflates with considerable force. It can seriously hurt a front seat passenger who is not in the proper position and wearing the seat belt properly. Front seat passengers should move the seat as far back as practical and sit well back in the seat.

Because of the airbag, we strongly recommend that you do not put an infant seat in the front passenger's seat. If the airbag inflates, it can dislodge the infant seat and seriously injure the infant.

If a toddler seat is used in the front passenger's seat, the vehicle seat should be moved as far back as possible. If the passenger's bag inflates, it could seriously hurt a toddler who is not in the proper position or properly restrained.

The passenger's airbag is stored near the top of the dashboard, under a lid marked SRS. Do not place any objects on top of this lid. If the airbag inflates, those objects can be propelled inside the car and possibly hurt someone.

### **SRS** How the SRS Indicator Light Works

The purpose of the SRS light on your instrument panel is to alert you of a potential problem with your supplemental restraint system.

Have the system checked if:

- The light does not come on when you turn the ignition ON (II).
- The light stays on after the engine starts.
- The light comes on or flashes while you are driving.

### System Service

Your supplemental restraint system is virtually maintenance-free. There are no parts you can safely service. You must have the system serviced by an authorized Honda dealer:

- If your airbag ever inflates. The airbag must be replaced. Do not try to remove or discard the airbag by yourself. This must be done by a Honda dealer.
- If the SRS indicator light alerts you of a problem. Have the supplemental restraint system checked as soon as possible. Otherwise, the airbags might not inflate when you need it.
- When the car is ten years old. Have the dealer inspect the system. The production date is on the driver's door jamb for your convenience.



## Supplemental Restraint System

---

### System Service Precautions

Do not modify your steering wheel or any other part of the supplemental restraint system. Modifications could make the system ineffective.

Do not tamper with the system's components or wiring. This could cause the airbags to inflate inadvertently, possibly injuring someone very seriously.

Tell anyone who works on your car that you have a supplemental restraint system. Failure to follow the procedures and precautions in the official Honda service manual could result in personal injury or damage to the system.

Scrapping an entire car that has an uninflated airbag can be dangerous. Get assistance from a Honda dealer if your car must be scrapped.

If you sell your car, please be sure to tell the new owner that the car has a supplemental restraint system. Alert them to the information and precautions in this part of the owner's manual.

The seat belts and airbags are obviously important parts of your occupant protection system.

In addition, you should know that sitting upright, adjusting the head restraint properly, locking the doors, and stowing things properly can also increase your safety and possibly even save your life.

### Seat-back Position

The seat-backs should be in an upright position for you and your passengers to get the most protection from the seat belts.

If you recline a seat-back, you reduce the protective capability of your seat belt. The farther a seat-back is reclined, the greater the risk that you will slide under the belt in a severe crash and be very seriously injured.

For information on how to adjust the seat-back, see page [54](#).

### Head Restraint Position



Head restraints can help protect you from whiplash and other injuries. For the best protection, adjust the top of the restraint so it is even with the tops of your ears, or as high as possible. For instructions on adjusting the head restraints, see page [56](#).

## Additional Safety Information

---

### Door Locks

It is not safe to leave your car doors unlocked. A passenger, especially a child, could open a door and accidentally fall out. Also, there is a greater chance of being thrown out of the car during a crash when the doors are not locked.

### Storing Cargo Safely

Before you drive, make sure you first securely store or tie down any items that could be thrown around the car and hurt someone, or interfere with your ability to operate the controls.

Do not put any items on top of the rear shelf. They can block your view and they could be thrown about the car in a crash.

Be sure to keep compartment doors closed when the car is moving. If a passenger hits the door of an open glove box, for example, he could injure his knees.

For information on loading cargo, see page [110](#).

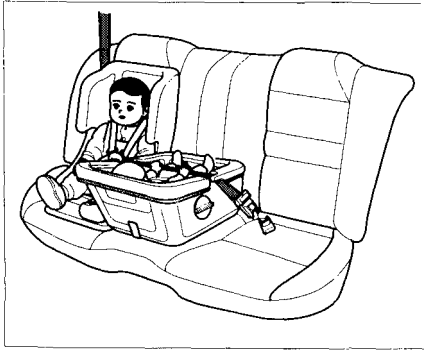
### Driving with Pets

Loose pets can be a hazard while you are driving. An unrestrained pet can interfere with your ability to drive the car. In a crash or sudden stop, loose pets or cages can be thrown around inside the car and hurt you or your passengers. It is also for their safety that pets should be properly restrained in your car.

The recommended way to restrain a medium-sized or larger dog is with a special traveling harness. This harness can be secured to the rear seat with a seat belt. Travel harnesses are available at pet stores.

A small dog, cat, or other small animal will be safest in a pet carrier with rigid sides. Choose a style that allows you to secure it to the car's seat by routing a seat belt through the carrier's handle.

For further information, contact your veterinarian or local animal protection society.



Children depend on adults to protect them. To help make sure we do, every state and Canadian province has laws requiring infants and young children to be properly restrained whenever they ride in a car.

**An infant or child who is not properly restrained can be killed or seriously injured in a crash.**

**Be sure any child too small for seat belts is properly secured in a child restraint.**

## **Where Should Children Sit?**

According to accident statistics, children of all sizes and ages are safer when they are properly restrained in the rear seat rather than the front seat.

We recommend that, whenever possible, you secure your child's infant or toddler seat in the center position of the rear seat with the lap belt.

We strongly recommend that you do not put an infant seat in the front passenger seat. If the airbag inflates, it can hit the seat with great force. The infant seat can be dislodged and the baby seriously injured.

*CONTINUED*

## Child Safety

---

If a toddler seat is used in the front passenger's seat, the vehicle seat should be moved as far back as possible. If the passenger's bag inflates, it could seriously hurt a toddler who is not in the proper position or properly restrained.

We also recommend that any child who is too large to use an infant or toddler seat ride in one of the outside positions of the rear seat. The child should then wear the lap/shoulder belt properly for protection.

### **Important Safety Reminders**

Never hold a baby or child on your lap when riding in a car. If you are wearing your seat belt, the violent forces created during a crash will tear the child from your arms. The child could be seriously hurt or killed.

If you are holding a child and not wearing a seat belt in a crash, you could crush the child against the car's interior.

Never put your seat belt over yourself and a child. During a crash, the belt could press deep into the child, causing serious internal injuries.

Two children should never use the same seat belt. If they do, they could be very seriously injured in a crash.

## General Guidelines for Restraining Children Under 18 kg (40 lbs)

*Use an approved child seat.* The seat must meet Federal Motor Vehicle Safety Standard 213 (FMVSS-213) or Canadian Motor Vehicle Safety Standards. Look for the manufacturer's statement of compliance on the box and seat.

*Use a seat of the right size.* Make sure the seat fits your child. Check the seat manufacturer's instructions and labels for height and weight limits.

*Secure the child seat to the car.* All approved child seats are designed to be secured to the car seat by the lap belt or the lap belt portion of a lap/shoulder belt. A child whose seat is not properly secured to the car can be endangered in a crash.

To properly route a seat belt through a child seat, follow the seat maker's instructions. If you use a lap/shoulder belt, be sure you install a locking clip on the belt (see page 23).

*Secure the child in the child seats* Make sure the infant or child is firmly secured to the child seat. Use the straps provided, and carefully follow the manufacturer's instructions.

## Restraining an Infant Who Weighs Less Than 9 kg (20 lbs)



An infant up to about 9 kg (20 lbs) must be restrained in an infant seat or a convertible seat designed for a baby. Because infants must ride in a reclining position, be sure the infant seat always faces the REAR of the car as shown.

CONTINUED

## Child Safety

We recommend that, whenever possible, you put the infant seat in the center position of the rear seat and secure it to the car with the lap belt

If you decide to put an infant seat in any other seating position, you must use a locking clip on the car's lap/shoulder belt (see page 23).

We strongly recommend that you do not put an infant seat in the front passenger's seat. In a severe frontal collision, the inflating airbag can hit the infant seat with considerable force. The infant seat can be dislodged, causing serious injury to the infant.

### Restraining a Child Who Weighs Between 9 and 18 kg (20 and 40 lbs)



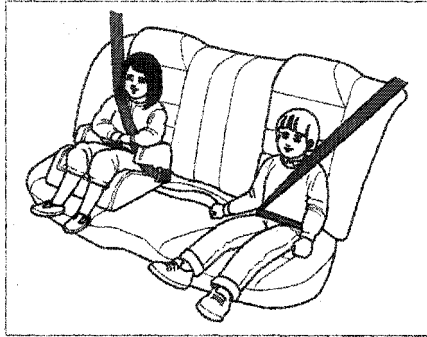
Toddler seats are designed for children who weigh between 9 and 18 kg (20 and 40 lbs).

The preferred place to put a toddler seat is in the center position of the rear seat. Use the car's lap belt to secure the seat to the car.

If you decide to put a toddler seat in any other seating position, you must use a locking clip on the car's lap/shoulder belt (see page 23).

If a toddler seat is used in the front passenger's seat, the vehicle seat should be moved as far back as possible. If the passenger's bag inflates, it could seriously hurt a toddler who is not in the proper position or properly restrained.

## Restraining a Child Who Weighs Over 18 kg (40 lbs)



We recommend that, whenever possible, a child who has outgrown a toddler seat ride in one of the outside positions of the rear seat and use a lap/shoulder belt.

Put the seat belt on your child and check its fit. The shoulder belt should fit over the collarbone and across the chest. The lap belt should sit low on your child's hips, not across the stomach.

If the shoulder belt crosses the neck, have your child move toward the center of the rear seat until the belt fits properly. If the belt still crosses the child's neck, you should use a booster seat.

Several styles of booster seats are available. We recommend a design that allows the child to use the car's lap/shoulder belt.

Whichever style you select, follow the booster seat manufacturer's instructions.

## Using a Seat Belt Locking Clip

Always use a seat belt locking clip when you secure a child seat to your car with a lap/shoulder belt. This helps prevent the seat from shifting position or overturning,

A locking clip is usually included with the child seat. If you need a clip, contact the seat's manufacturer or a store that sells child restraints.

*CONTINUED*



## Child Safety

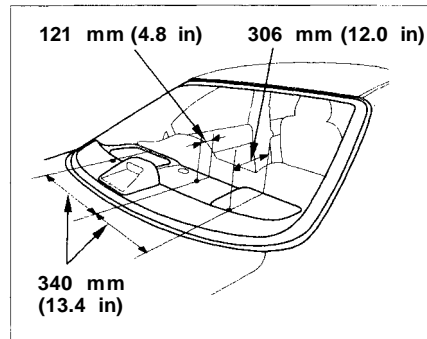
To install a locking clip, do the following:

1. Place the child restraint in the desired position. Route the lap/shoulder belt through the restraint according to the seat manufacturer's instructions.
2. Insert the latch plate into the buckle. Pull on the shoulder part of the belt to make sure there is no slack in the lap portion.
3. Tightly grasp the belt near the latch plate. Pinch both parts of the belt together so they won't slip through the latch plate. Unbuckle the seat belt.



4. Install the locking clip as shown. Position the clip as close as possible to the latch plate.
5. Insert the latch plate into the buckle. Push and pull on the child seat to verify that it is held firmly in place. If it is not, repeat these steps until the restraint is secure.

## Using Child Restraints with Tethers



Your Honda has three attachment points for tether-style child seat. They are located on the rear shelf.

### *U.S. Models*

Use the dimensions in the illustration to locate either of the outside attachment points you want to use. Cut a 22 mm (7/8 inch) diameter hole in the rear shelf.

## Canadian Models

Select the attachment point you want to use and remove the plug with a small flat-tipped screwdriver or fingernail file.

Install the tether hardware that came with the child seat.

Tighten to:

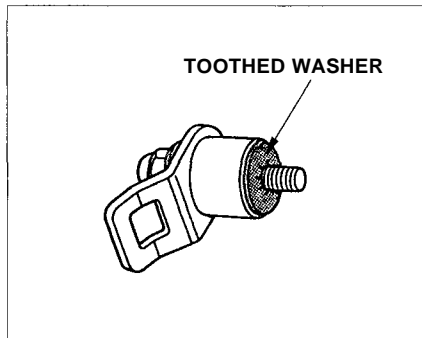
**22 N.m(2.2 kg-m , 16 lb-ft)**

If you are not sure how to install the bracket, have it installed by your Honda dealer.

If you need an anchor plate and mounting hardware, you can obtain them by writing to:

American Honda Motor Co., Inc.  
Consumer Affairs  
1919 Torrance Blvd.  
Torrance, CA 90501-2746

## Canadian Cars



The anchor plate and mounting hardware for a top tether are supplied with the car. When installing, make sure the toothed washer is on the bottom of the bolt.

The supplied anchor plate is designed only for mounting a child restraint. Do not use it for any other purpose.

## Storing a Child Seat

When you are not using an infant seat or other child restraint, either remove it or make sure it is properly secured so it cannot be thrown around the car during a crash.

## Alcohol and Drugs

---

Driving a car requires your full attention and alertness. Traffic conditions change rapidly. You must be able to react just as rapidly. Alcohol or drugs directly affect your alertness and ability to react. Even prescription and non-prescription medicines can have this effect.

There are laws that deal with drunken driving. These laws define how much alcohol it takes in your system to be legally "drunk." However, your judgment and reaction time get worse with every drink — even the first one.

The safest thing you can do is never drink and drive. This can be done if you plan ahead. If you know you are going to be drinking, make plans to ride with a friend who will not be drinking.

What if you find that you've been drinking and cannot get a ride from a friend? Find alternative transportation. Call a taxi. Take a bus. Many communities have transportation services devoted to shuttling people who have been drinking.

If you have no choice but to drive, stop drinking and give yourself lots of time to sober up. Time is the only thing that can make you sober. Things like coffee or a cold shower don't speed up the process.

If you see friends trying to get behind the wheel after drinking, stop them. Drive them yourself or arrange other transportation. If you think you are interfering, remember that your interference will keep them from sharing the road with you.

Your car's exhaust contains carbon monoxide gas. You should have no problem with carbon monoxide entering the car in normal driving if you maintain your car properly. Have the exhaust system inspected for leaks whenever:

- The car is raised for an oil change.
- You notice a change in the sound of the exhaust.
- The car was in an accident that may have damaged the underside.


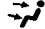
**Carbon monoxide gas is toxic. Breathing it can cause unconsciousness and can even kill you.**

**Avoid any enclosed areas or activities that expose you to carbon monoxide.**

High levels of carbon monoxide can collect rapidly in enclosed areas, such as a garage. Do not run the engine with the garage door closed. Even with the door open, run the engine only long enough to move the car out of the garage.

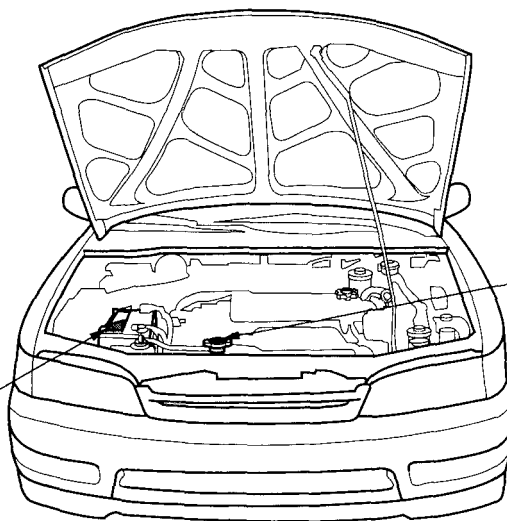
With the trunk lid open, air flow can pull exhaust gas into your car's interior and create a hazardous condition. If you must drive with the trunk lid open, open all the windows and set the heating and cooling system as follows.

If you must sit in your parked car, even in an unconfined area, with the engine running, adjust the heating and cooling system as follows:

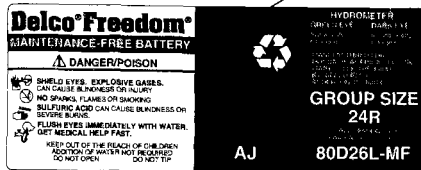
1. Push the  button.
2. Select the  mode.
3. Turn the fan on high speed.
4. Set the temperature control to a comfortable setting.

These labels are in the locations shown. They warn you of potential hazards that could cause serious injury. Read these labels carefully and don't remove them.

If a label comes off or becomes hard to read, contact your Honda dealer for a replacement.



## BATTERY



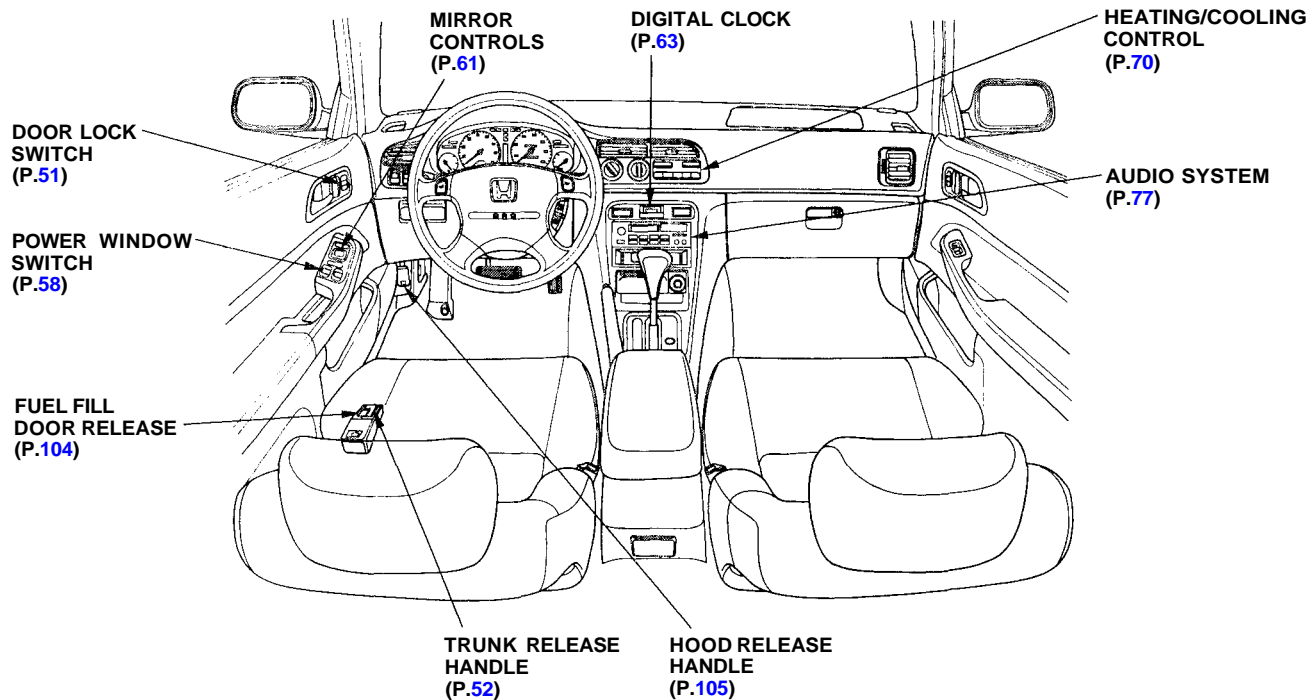
## RADIATOR CAP



This section gives information about the controls and displays that contribute to the daily operation of your Honda. All the essential controls are within easy reach.

Control Locations.....	32	Tachometer.....	37	Trunk.....	52
Indicator Lights.....	33	Odometer.....	37	Glove Box.....	53
Gauges.....	37	Trip Meter.....	37	Seat Adjustments.....	54
Speedometer.....	37	Temperature Gauge.....	38	Front Seat Adjustments.....	54
		Fuel Gauge.....	38	Driver's Seat Power Height	
		Maintenance Required		Adjustment.....	55
		Indicator.....	38	Driver's Lumbar Support.....	55
		Controls Near the Steering		Rear Seat Access.....	55
		Wheel.....	39	Head Restraints.....	56
		Headlights.....	40	Folding Rear Seat.....	57
		Daytime Running Lights.....	40	Power Windows.....	58
		Instrument Panel Brightness.....	41	Moonroof.....	59
		Turn Signals.....	41	Sunshade.....	60
		Windshield Wipers.....	42	Mirrors.....	60
		Windshield Washers.....	43	Manual Door Mirrors.....	61
		Hazard Warning.....	43	Adjusting the Power Mirrors.....	61
		Rear Window Defogger.....	43	Parking Brake.....	62
		Steering Wheel Adjustment.....	44	Digital Clock.....	63
		Steering Wheel Controls .....	46	Beverage Holder.....	64
		Cruise Control.....	46	Console Compartment.....	64
		Horn.....	49	Coin Box.....	65
		Keys and Locks.....	49	Vanity Mirror.....	65
		Keys.....	49	Cigarette Lighter.....	66
		Ignition Switch.....	50	Ashtrays.....	66
		Door Locks.....	51	Interior Lights.....	67
		Power Door Locks.....	51		

# Control Locations

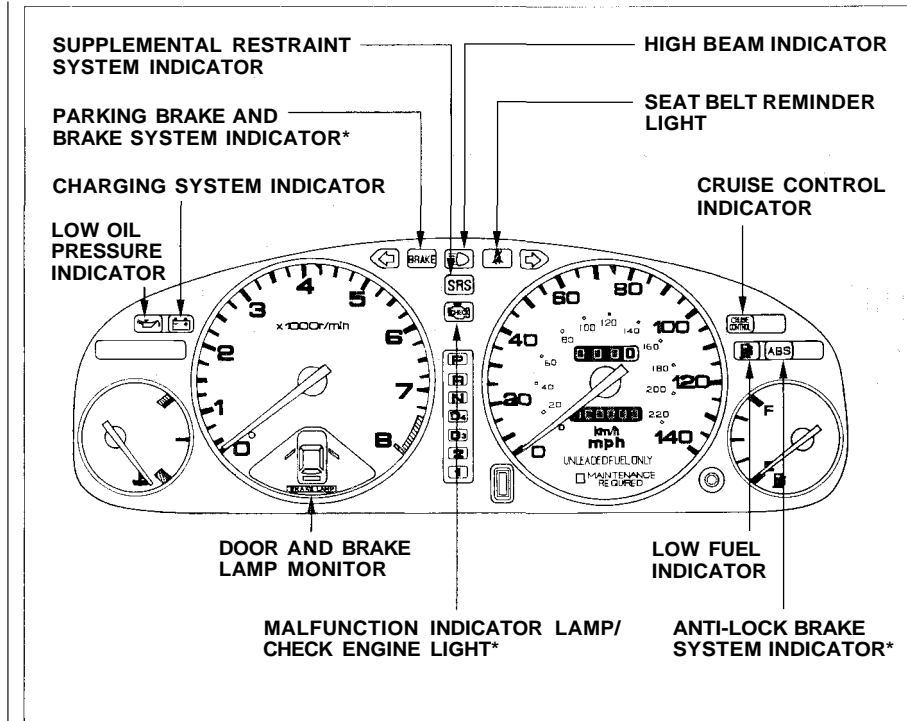


The instrument panel has many indicators to give you important information about your car.

## Lamp Check

Many of the indicator lights come on when you turn the ignition switch ON (II), allowing you to see that they are working. The instrument panel should look like the illustration. If an indicator does not light during this test, it cannot alert you if that system develops a problem. Have the dealer check your car for burned-out bulbs or other problems.

\* The U.S. instrument panel is shown. Differences for the Canadian model are noted in the text.





# Indicator Lights



## Seat Belt Reminder Light

This indicator lights when you turn the ignition ON (II). It is a reminder to you and your passengers to protect yourselves by fastening the seat belts. A beeper also sounds if you have not fastened your seat belt.

If you do not fasten your seat belt, the beeper will stop after a few seconds but the light stays on until you do. Both the light and the beeper stay off if you fasten your seat belt before turning on the ignition.



## Low Oil Pressure Indicator

This indicator lights when the oil pressure in the engine drops low enough to cause damage. It should light when the ignition is ON (II) and go out after the engine starts. If this light comes on when the engine is running, there is a possibility of serious engine damage. Safely pull to the side of the road and shut off the engine as soon as you can. Turn to page 200 for instructions and precautions on checking the engine.



## Charging System Indicator

This light indicates the battery is not being charged. It should come on when the ignition is ON (II), and go out after the engine starts. If this light comes on while driving, the battery is not being charged. Turn to page 201 for information about what to do.



## Parking Brake and Brake System Indicator

This light has two functions:

1. It lights as a reminder that you have set the parking brake. Driving with the parking brake set can damage the brakes and tires, and cause the Anti-lock brake system to turn off (see page 122 ).
2. It can indicate the brake fluid level is low if it remains lit after you release the parking brake or comes on while driving. This is normally due to worn brake pads. Have your dealer check the braking system for worn pads or fluid leaks.

**SRS****Supplemental Restraint System Indicator**

The SRS light normally comes on for a few seconds when you turn the ignition ON (II). If it doesn't, or it stays on after the engine starts, something is wrong with the Supplemental Restraint System. It may also flash on and off to indicate a problem.

If you see any of these indications, the airbag may not work when needed in an accident. Take the car to your dealer promptly for diagnosis and service.

US

**ABS****Anti-lock Brake System (ABS) Indicator**

Canada



Only on cars equipped with ABS (see page 122)

This light normally comes on when you turn the ignition ON (II) and

goes off after the engine starts. If it comes on at any other time, there is a problem in the ABS. If this happens, take the car to your dealer to have it checked. With the light on, your car still has normal braking ability but no anti-lock.

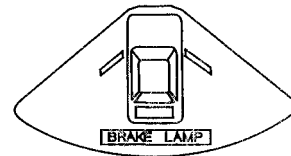
US

**Malfunction Indicator Lamp**

Canada

**Check Engine Light**

This light comes on for a few seconds when you turn the ignition switch ON (II). If it comes on at any other time, it indicates one of the engine's emission control systems may have a problem. Turn to page [202](#) for information about what to do.

**Door and Brake Lamp Monitor**

The appropriate light comes on in this display if the trunk or either door is not closed tightly. If a brake light does not work, the **BRAKE LAMP** indicator comes on when you push the brake pedal with the ignition switch ON (II). A burned out brake light is a hazard when drivers behind you cannot tell you are braking. Have your brake lights repaired right away. All the lights in the monitor display come on for a few seconds when you turn the ignition switch ON (II).

## Indicator Lights

### **Turn Signal and Hazard Warning Indicators**

The left or right turn signal light blinks when you signal a lane change or turn. If the light does not blink or blinks rapidly, it usually means one of the turn signal bulbs is burned out (see page 170). Replace the bulb as soon as possible, since other drivers cannot see that you are signalling.

When you turn on the Hazard Warning switch, both turn signal lights blink. All turn signals on the outside of the car should flash.

### **"Daytime Running Lights" Indicator**

*Canadian models only*

This indicator lights when you turn the ignition to ON (II) with the headlight switch off and the parking brake set. It should go off if you turn on the headlights or release the parking brake. If it comes on at any

other time, it means there is a problem with the DRL. There may also be a problem with the high beam headlights.

### **High Beam Indicator**

This light comes on with the high beam headlights. See page 40 for information on the headlight controls.

### **Cruise Control Indicator**

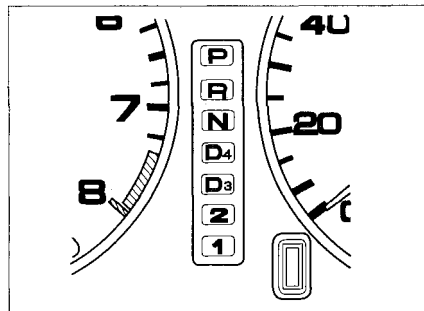
*Only on cars equipped with Cruise Control System*

This lights when you set the cruise control. See page 46 for information on operating the cruise control.

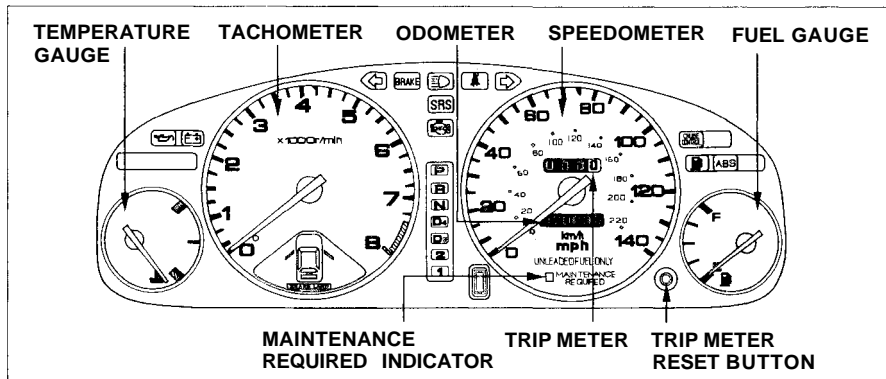
### **Low Fuel Indicator**

This light comes on as a reminder that you must refuel soon.

### **Shift Lever Position Indicator** (Automatic Transmission only)



This indicator between the tachometer and speedometer shows which shift position the shift lever is in. The "D4" indicator comes on for a few seconds when you turn the ignition switch ON (II). If it flashes while driving (in any shift position), it indicates a possible problem in the transmission. Avoid rapid acceleration and have the transmission checked by an authorized Honda dealer as soon as possible.



### Speedometer

#### *U.S. Models*

This shows your speed in miles per hour (mph). The smaller inner numbers are the speed in kilometers per hour (km/h).

#### *Canadian Models*

This shows your speed in kilometers per hour (km/h). The smaller inner numbers are the speed in miles per hour (mph).

### Tachometer

The tachometer shows the engine speed in revolutions per minute (rpm). To protect the engine from damage, never drive with the tachometer needle in the red zone.

### Odometer

The odometer shows the total distance your car has been driven. It measures miles in U.S. models and kilometers in Canadian models. It is illegal under federal law (in the U.S.) and provincial regulations (in Canada) to disconnect, reset, or alter the odometer with the intent to change the number of miles or kilometers indicated.

### Trip Meter

This meter shows the number of miles (U.S.) or kilometers (Canada) driven since you last reset it. To reset it, push the trip meter reset button.

## Temperature Gauge

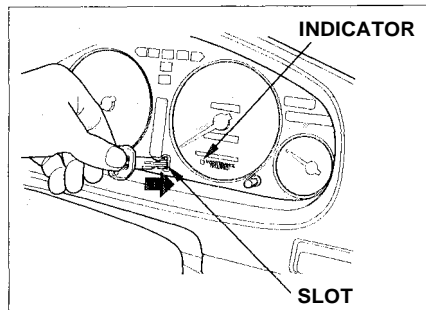
This shows the temperature of the engine's coolant. During normal operation, the pointer should rise from the bottom white mark to about the middle of the gauge. In severe driving conditions, such as very hot weather or a long period of uphill driving, the pointer may rise to the upper white mark. If it reaches the red (Hot) mark, pull safely to the side of the road. Turn to page 198 for instructions and precautions on checking the engine's cooling system.

## Fuel Gauge

This shows how much fuel you have. It is most accurate when the car is on level ground. It may show slightly more or less than the actual amount when you are driving on curvy or hilly roads.

The gauge stays at the same fuel level reading after you turn off the ignition. When you add fuel, the gauge slowly changes to the new reading after you turn the ignition back ON (II).

## Maintenance Required Indicator



The indicator reminds you when it is time for scheduled maintenance. When it nears 12,000 km (7,500 miles) since the last maintenance, the indicator will turn yellow. If you exceed 12,000 km (7,500 miles), the indicator will turn red. Your dealer will reset the indicator when he performs the scheduled maintenance. If someone else performs the maintenance, reset the indicator by inserting your key in the slot below the indicator.

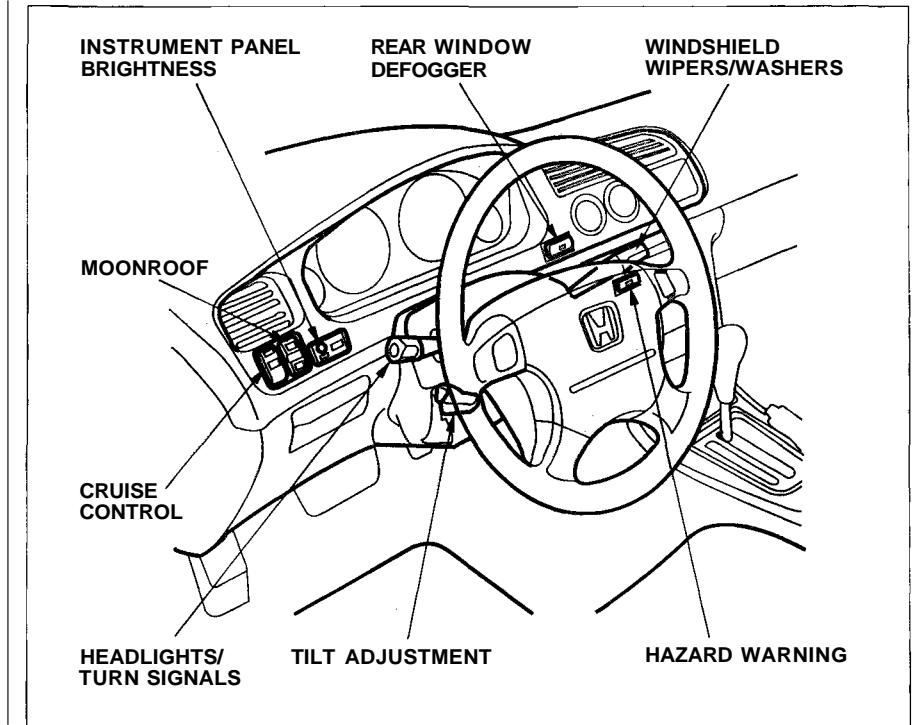
## Controls Near the Steering Wheel

The two levers on the steering column contain controls for driving features you use most often. The left lever controls the turn signals, headlights, and high beams. The right lever controls the windshield wipers.

The rear window defogger switch is on the dashboard to the right of the steering column.

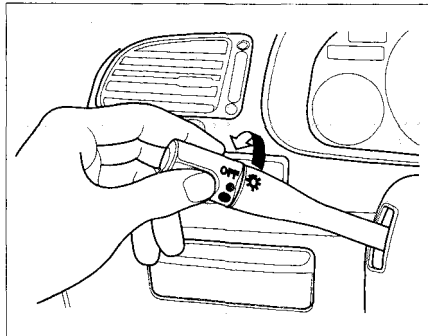
The controls under the left air vent are for the moonroof, cruise control and instrument panel brightness.

The lever on the underside of the steering column allows you to tilt the steering wheel.



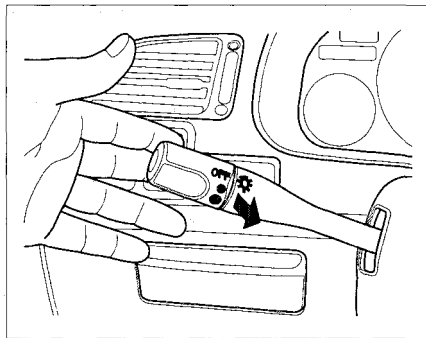
## Controls Near the Steering Wheel

### Headlights



The rotating switch on the left lever controls the lights. Turning this switch to the first position "●" turns on the parking lights, tail lights, instrument panel lights, side-marker lights, and rear license plate lights. Turning the switch to the second position "●" turns on the headlights.

If you leave the lights on with the ignition switch in ACCESSORY (I) or LOCK (0), you will hear a reminder chime when you open the driver's door.



To change between low beams and high beams, pull back on the turn signal lever until you hear a click, then let go. The blue high beam indicator will light (see page 36).

To flash the high beams, pull back and hold the turn signal lever. Release the lever and the high beams will go off.

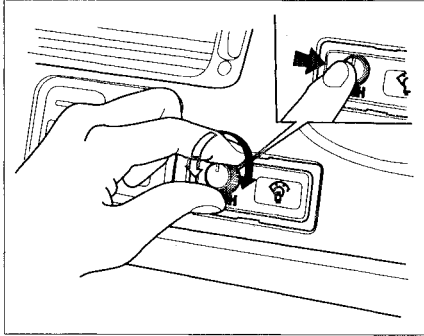
The high beams will stay on for as long as you hold the lever, no matter what position the headlight switch is in.

### Daytime Running Lights (Canadian Models)

With the headlight switch off, the high beam headlights come on with reduced brightness when you turn the ignition switch to ON (II) and release the parking brake. They remain on until you turn the ignition off, even if you set the parking brake.

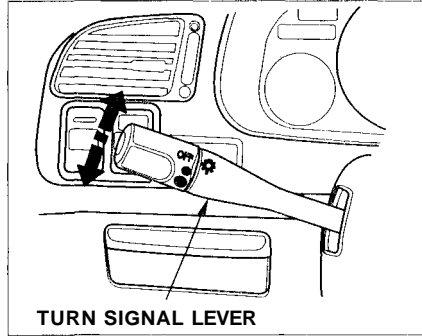
The headlights revert to normal operation when you turn them on with the switch.

### *Instrument Panel Brightness*



The knob on the dashboard to the left of the instrument panel controls the brightness of the instrument panel lights. Push the knob to get it to pop out. Turn the knob to adjust the brightness.

### **Turn Signals**



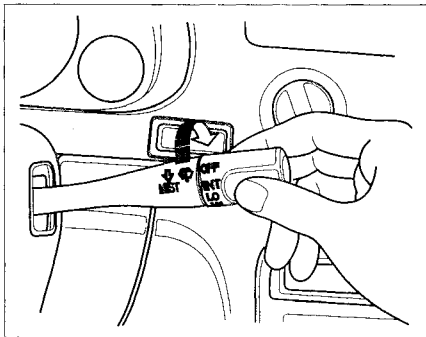
Signal a turn or lane change with this lever. Push down on the lever to signal a left turn, and up to signal a right turn. If you push it up or down all the way, the turn signal continues to blink even when you release the lever. It shuts off automatically as you complete the turn.

To signal a lane change, push lightly on the turn signal lever in the proper direction and hold it. The lever will return to the center position as soon as you release it.



## Controls Near the Steering Wheel

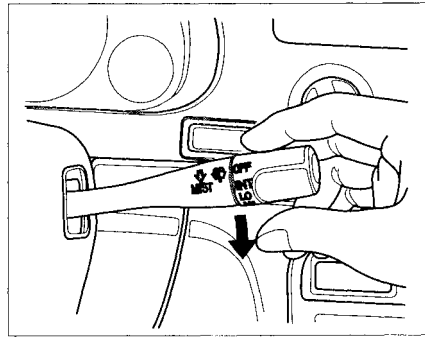
### Windshield Wipers



The right lever controls the windshield wipers and washers. The rotary switch at the end of the lever has three positions:

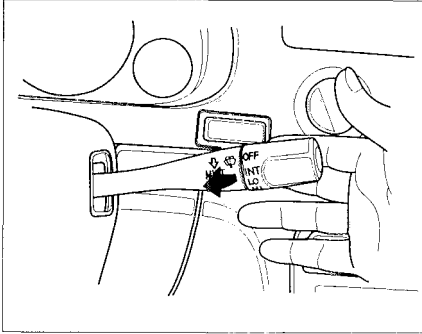
- INT — intermittent
- LO — low speed
- HI — high speed

In intermittent, the wipers operate every few seconds. In low speed and high speed, the wipers run continuously.



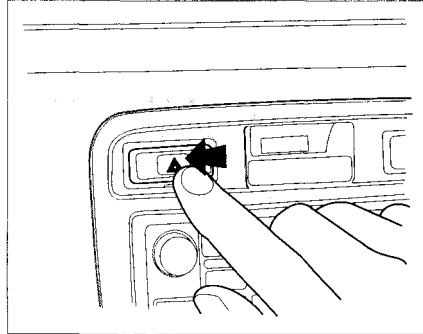
To operate the wipers in mist mode, push the control lever down. The wipers run at high speed until you release the lever. This gives you a quick way to clear the windshield.

## Windshield Washers



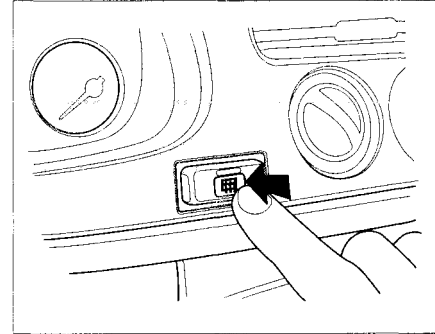
To clean the windshield, pull back on the wiper control lever. The washers spray until you release the lever. The wipers run at low speed while you're pulling the lever, then complete one more sweep of the windshield after you release it.

## Hazard Warning



Push the red button to the left of the clock to turn on the hazard warning lights (four-way flashers). This causes all four outside turn signals and both indicators in the instrument panel to flash. Use the hazard warning lights if you need to park in a dangerous area near heavy traffic, or if your car is disabled.

## Rear Window Defogger



The rear window defogger will clear fog, frost, and thin ice from the window. Push the defogger button to turn it on and off. The light in the button lights to show the defogger is on. If you do not turn it off, the defogger will shut itself off after about 25 minutes. It also shuts off when you turn off the ignition. You have to turn it on again when you restart the car.

*CONTINUED*

## Controls Near the Steering Wheel

Make sure the rear window is clear and you have good visibility before starting to drive.

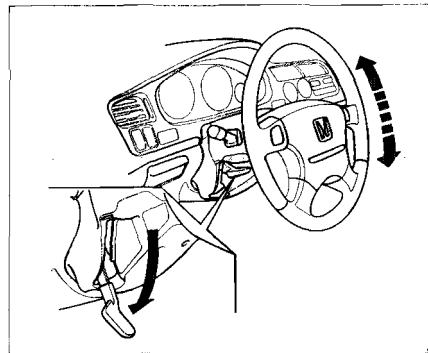
The defogger wires on the inside of the rear window can be accidentally damaged. When cleaning the glass, always wipe side to side.

### Steering Wheel Adjustment

You can adjust the steering wheel height to suit your preference. Do this before you begin driving.

**Adjusting the steering wheel position while driving may cause you to lose control of the car and be seriously injured in a crash.**

**Adjust the steering wheel only when the car is stopped.**



1. Adjust the seat so you are a comfortable distance from the pedals and can operate them safely.
2. The lever to tilt the steering wheel is under the steering column to the left. Push this lever all the way down.

3. Move the steering wheel up or down to the desired position. Position the wheel so you can see all the instrument panel gauges and warning lights. Push the lever up to lock the steering wheel in that position.
4. Make sure you have securely locked the steering wheel in place by trying to move it up and down.

# Steering Wheel Controls

## Cruise Control

*Except for DX model in the U.S.*

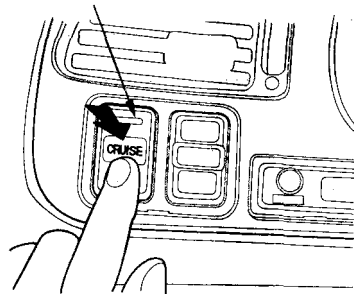
Cruise control allows you to maintain a set speed above 25 mph (40 km/h) without keeping your foot on the accelerator pedal. It is for cruising on straight, open highways. It is not recommended for conditions such as city driving, winding roads, slippery roads, heavy rain, or bad weather. You should have full control of the car under those conditions.

**Improper use of the cruise control can lead to a crash.**

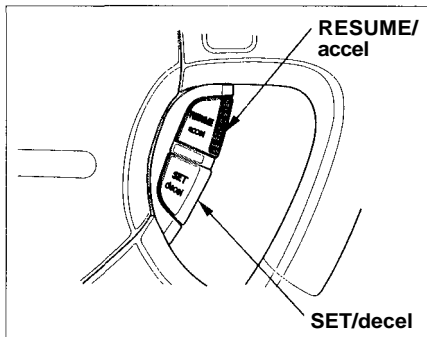
**Use the cruise control only when traveling on open highways in good weather.**

## *Using the Cruise Control*

### CRUISE CONTROL MASTER SWITCH



1. Push in the Cruise Control Master Switch to the left of the steering column. The indicator in the switch will light.
2. Accelerate to the desired cruising speed above 25 mph (40 km/h).



3. Press and hold the SET/decel button on the steering wheel until the CRUISE CONTROL light next to the speedometer comes on. This shows the system is now activated.

The set speed may vary slightly, particularly on hills.

### ***Changing the Set Speed***

You can increase the set cruising speed in either of two ways:

- Press and hold the RESUME/accel button. The car will accelerate slowly. When you reach the desired cruising speed, release the button.
- Push on the accelerator pedal. Accelerate to the desired cruising speed and press the SET/decel button.

You can decrease the set cruising speed in either of two ways:

- Press and hold the SET/decel button. The car will decelerate. Release the button when you reach the desired speed.
- Tap the brake or clutch pedal lightly with your foot. The CRUISE CONTROL light on the instrument panel will go out. When the car slows to the desired speed, press the SET/decel button. The car will then maintain the desired speed.

CONTINUED

## Steering Wheel Controls

---

Even with the cruise control turned on, you can still use the accelerator pedal to speed up for passing. After completing the pass, take your foot off the accelerator pedal. The car will return to the set cruising speed.

Resting your foot on the brake or clutch pedal will cause the cruise control to cancel.

### ***Canceling the Cruise Control***

Any of these actions cause the cruise control to cancel.

- Tap the brake or clutch pedal.
- Press the SET/decel and RESUME/accel buttons at the same time.
- Press the Cruise Control Master Switch.

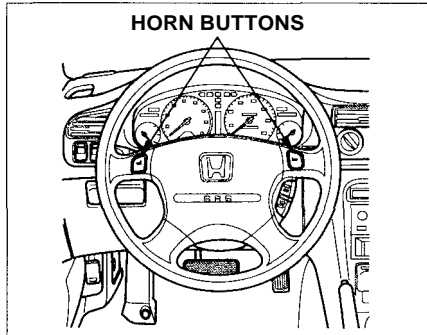
When you tap the brake or clutch pedal, or press the SET and RESUME buttons at the same time, the CRUISE CONTROL light on the instrument panel will go out and the car will begin to slow down. You can use the accelerator pedal in the normal way.

If you use the brake or clutch pedal to cancel cruise control, the system retains the previously-set cruising speed. To return to that speed, accelerate to above 25 mph (40 km/h) and press the RESUME/accel button until the CRUISE CONTROL light comes on. The car will accelerate to the same cruising speed as before.

If you cancel cruise control by pressing the SET and RESUME buttons at the same time, the previously-set cruising speed is erased. To use the cruise control, accelerate to the desired cruising speed and press the SET/decel button.

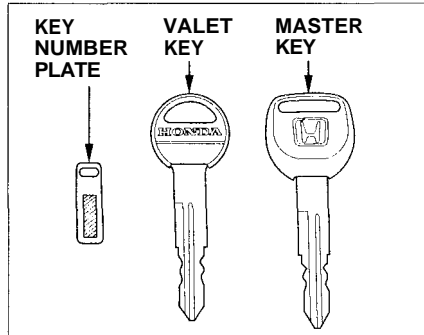
Pressing the Cruise Control Master Switch turns the system completely off and erases the previous cruising speed from memory. To use the system again, refer to ***Using the Cruise Control***

## Horn



Press either of the buttons on the steering wheel spokes to sound the horn.

## Keys



Your car comes with two kinds of keys: a master key and a valet key. The master key fits all locks on your car:

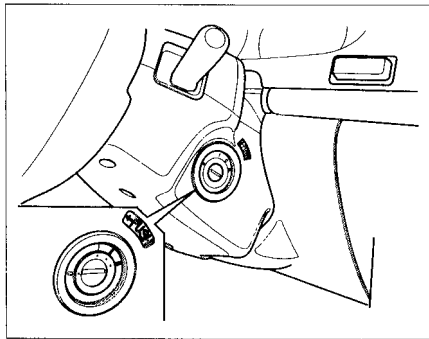
- Ignition
- Doors
- Trunk
- Trunk release handle
- Rear seat trunk access
- Glove box

The valet key only works the ignition and the door locks. You can keep the trunk, trunk release handle, rear seat trunk access and glove box locked when you leave your car and valet key at a parking facility.

You should have received a key number plate with your set of keys. You will need this key number if you ever have to replace a lost key. Store this plate in a safe place. When replacing keys, use only Honda approved key blanks.



### Ignition Switch



The ignition switch is on the right side of the steering column. It has four positions: LOCK (0), ACCESSORY (I), ON (II), and START (III).

**LOCK (0)** — You can insert or remove the key only in this position. When you turn the key from LOCK to ACCESSORY, you may have to turn the steering wheel to release the anti-theft lock. To switch from ACCESSORY to LOCK, you must push the key in slightly as you turn it. If your car has an automatic transmission, it must also be in Park. The anti-theft lock will lock the steering column when you remove the key.

**Removing the key from the ignition switch while driving locks the steering. This can cause you to lose control.**

**Remove the key from the ignition switch only when parked.**

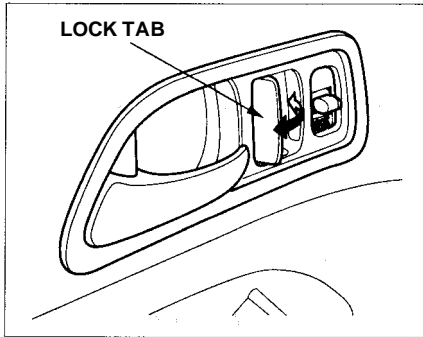
**ACCESSORY (I)** — In this position, you can operate the audio system and cigarette lighter.

**ON (II)** — This is the normal key position when driving. All features and accessories on the car are usable. Several of the lights on the instrument panel come on as a test when you turn the ignition switch from ACCESSORY to ON (see page 33).

**START (III)** — Use this position only to start the engine. The switch returns to ON when you let go of the key.

You will hear a reminder beeper if you open the driver's door with the key in the LOCK or ACCESSORY position. Remove the key to turn it off.

## Door Locks

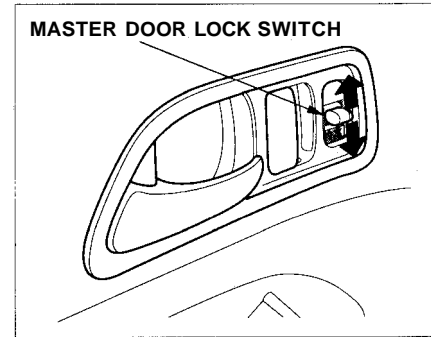


Each door has a lock tab next to the inside door handle. Push the tab in to lock the door and pull it out to unlock.

To lock the passenger's door when getting out of the car, push the lock tab in and close the door. To lock the driver's door, pull the door handle and push the lock tab in. Release the handle then close the door.

The doors can also be locked and unlocked from the outside with the key.

## Power Door Locks



*Available on LX and EX models in the U.S. and EX-R model in Canada*

Each door has a master door lock switch. Either switch locks and unlocks both doors. Push the switch down to lock and up to unlock.

CONTINUED

## Keys and Locks

Both doors lock when you push the lock tab on the driver's door.

In addition, both doors lock when you use the key to lock either door from the outside.

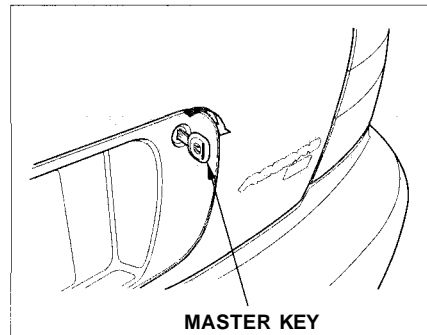
Both doors unlock immediately if you use the key to unlock the passenger's side door. To unlock the doors from the driver's side, turn the key clockwise and hold it there for several seconds.

### Trunk



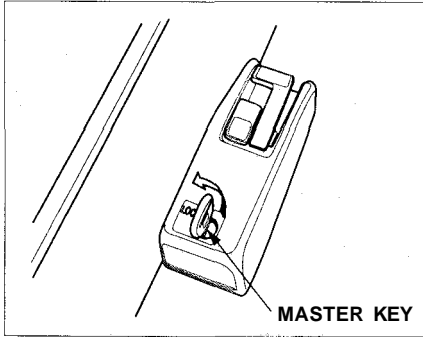
You can open the trunk in two ways:

- Pull the trunk release handle to the left of the driver's seat.
- Use the master key to open the trunk lock. The valet key does not work in this lock.



To close the trunk, press down on the trunk lid.

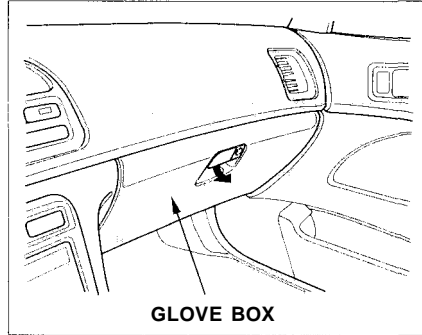
See page 110 for cargo loading and weight limit information. Keep the trunk lid closed at all times while driving to avoid damaging the lid and getting exhaust gas in the interior. See **Carbon Monoxide Hazard** on page 27.



To protect items in the trunk when you need to give the key to someone else:

1. Lock the trunk release handle with the master key.
2. Give the person the valet key.

## Glove Box



Open the glove box by pulling the bottom of the handle. Close it with a firm push. Lock or unlock the glove box with the master key.

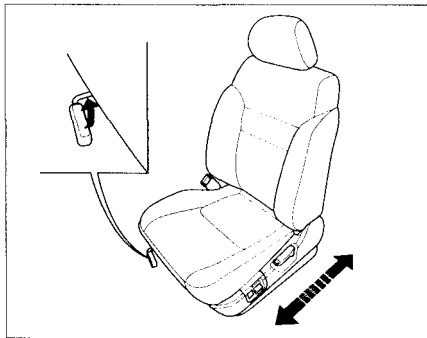
The glove box light comes on only when the instrument panel lights are on.

An open glove box can cause serious injury to your passenger in a crash, even if the passenger is wearing the seat belt.

**Always keep the glove box closed while driving.**

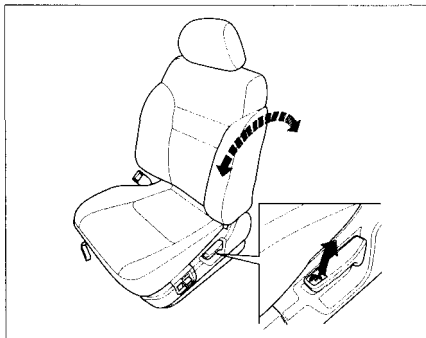
# Seat Adjustments

## Front Seat Adjustments



Adjust the seat before you start driving.

To adjust the seat forward and backward, pull up on the lever under the seat cushion's front edge. Move the seat to the desired position and release the lever. Try to move the seat to make sure it is locked in position.



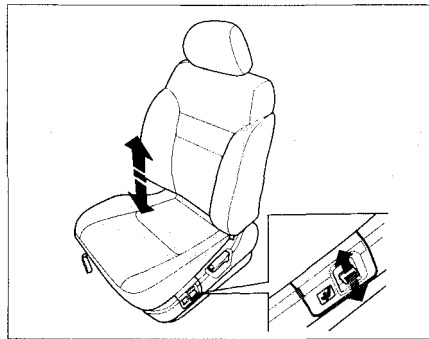
To change the angle of the seat-back, pull up on the lever on the outside of the seat bottom. Move the seat-back to the desired position and release the lever. Let the seat-back latch in the new position.

**Reclining the seat-back can decrease the protection you get from your seat belt in a crash.**

**You can slide under the seat belt and be seriously injured.**

**Adjust the seat-back to an upright position and sit well back in the seat.**

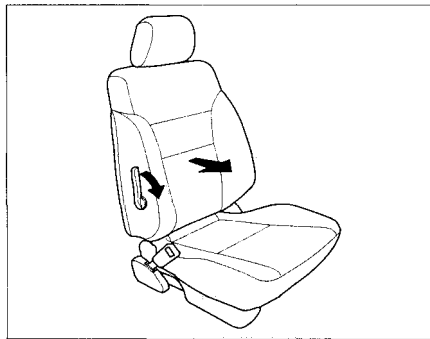
## Driver's Seat Power Height Adjustment



*On EX model in the U.S., and EX-R model in Canada*

The height of your driver's seat is power adjustable. Pull up the switch to raise the seat. Push it down to lower the seat.

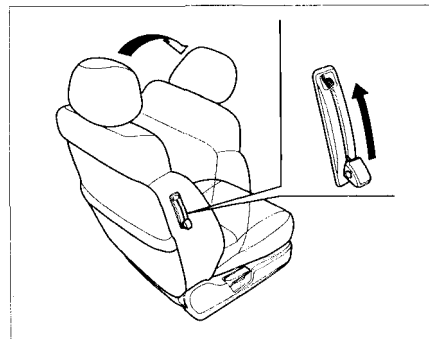
## Driver's Lumbar Support



*On EX model in the U.S., and EX-R model in Canada*

Vary the lumbar support by moving the lever on the right side of the seat-back. Pivot the lever forward until it stops, then let it return. Doing this several times adjusts the lumbar support through its full range.

## Rear Seat Access



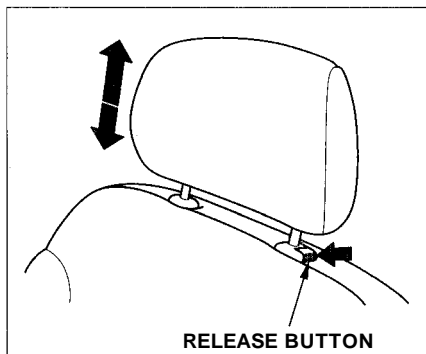
To get into the back seat on the driver's side, pull up on the seat-back adjustment lever.

To tilt the passenger's seat-back out of the way, push forward on the release lever on the side of the seat-back. The seat returns to the original position when you push back the seat.

## Seat Adjustments

### Head Restraints

The front head restraints help protect you and your passenger from whiplash and other injuries. They are most effective when you adjust them so the top of the restraint is even with the top of your ears.

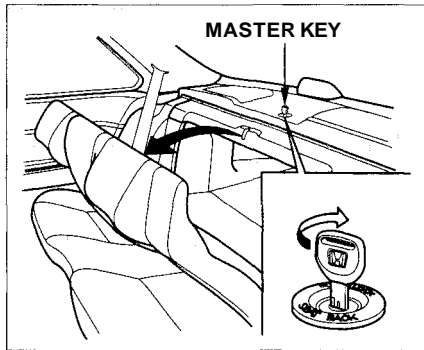


The front head restraints adjust for height. You need both hands to adjust the restraint. Do not attempt to adjust it while driving. To raise it, pull upward. To lower the restraint, press the release button and push the restraint down.

To remove a head restraint for cleaning or repair, pull it up as far as it will go. Press the release button and pull the restraint out of the seat-back.

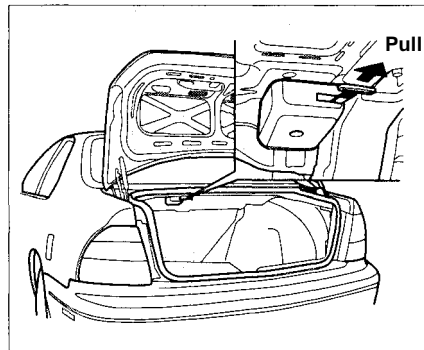
**Driving your car without head restraints can lead to serious injury to you and your passenger in a crash.**

**Make sure the head restraints are in place and adjusted properly before driving.**



The back of the rear seat folds down, giving you direct access to the trunk. The seat-back can be released from inside the car or inside the trunk.

To fold down the seat-back from inside the car, insert the master key in the lock on the rear shelf. Turn the key clockwise, pull down the top of the seat-back, then release the key.



To release the seat-back from inside the trunk, pull the release under the rear shelf.

To lock the seat-back upright, push it firmly against the rear shelf. Make sure it is latched in place by pulling on the top of the seat.

Make sure both rear shoulder belts are positioned in front of the rear seat-back whenever the seat-back is in its upright position.

Make sure all items in the trunk, or items extending through the opening into the back seat, are tied down. Loose items can fly forward and cause injury if you have to brake hard. See **Loading Cargo** on page 110.

Never drive with the seat-back folded down and the trunk lid open. See **Carbon Monoxide Hazard** on page 27.

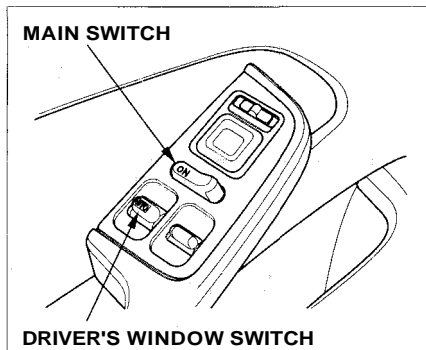
CONTINUED



## Power Windows

*Only on LX and EX models in the U.S., and EX-R model in Canada*  
Your car's windows are electrically-powered. Turn the ignition switch to ON (II) to raise or lower any window.

Each door has a switch that controls its window. To open the window, push the switch down and hold it. Release the switch when you want the window to stop. Close the window by pushing the switch up and holding it.



The driver's door has a master power window control panel. To open the passenger's window, push down on the switch and hold it down until the window reaches the desired position. To close the window, push up on the window switch. Release the switch when the window gets to the position you want.

The master control panel also contains these extra features:

**AUTO** — To open the driver's window fully, push the window switch firmly down and release it. The window automatically goes all the way down. To stop the window from going all the way down, push the window switch up briefly.

To open the driver's window only partially, push the window switch down lightly and hold it. The window will stop as soon as you release the switch.

The AUTO function only works to lower the driver's window. To raise the window, you must push the window switch up and hold it until the window reaches the desired position.

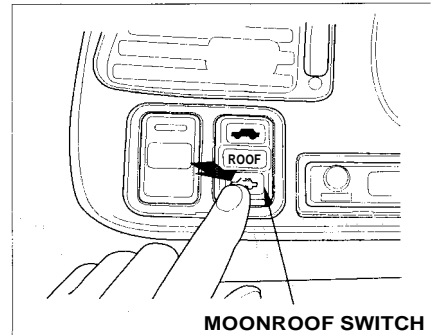
The MAIN switch controls power to the passenger's window. With this switch off, the passenger's window cannot be raised or lowered. The MAIN switch does not affect the driver's window. Keep the MAIN switch off when you have children in the car so they do not injure themselves by operating the windows unintentionally.

The power window system has a key-off delay function. The windows will still operate for up to ten minutes after you turn off the ignition. Opening either front door cancels the delay function. You must turn the ignition ON (II) again before you can raise or lower the windows.



**Closing a power window on a child's hands or fingers can cause serious injury.**

**Make sure your children are away from the windows before closing them.**

### Moonroof



*Only on EX model in the U.S., and EX-R model in Canada*

Use the switch on the dashboard to open and close the moonroof. The ignition must be ON (II). Push and hold the  switch to open the moonroof. Release the switch when the moonroof reaches the desired position. To close the moonroof, press and hold the  switch.

*CONTINUED*

## Moonroof, Mirrors

The moonroof has a key-off delay. You can still open and close the moonroof for up to ten minutes after you turn off the ignition. The key-off delay cancels as soon as you open either front door. You must then turn the ignition ON (II) for the moonroof to operate.

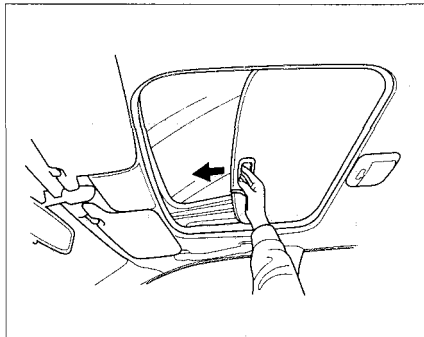
**Closing the moonroof on someone's hands or fingers can cause serious injury.**

**Make sure passengers are clear of the moonroof before closing it.**

### NOTICE

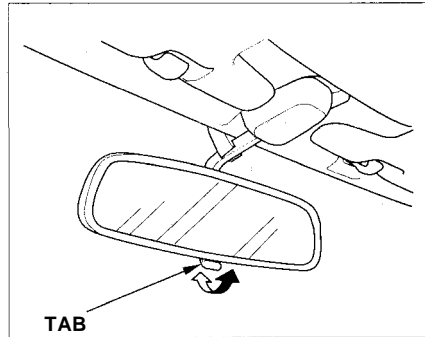
If you try to open the moonroof in below-freezing temperatures, or when it is covered with snow or ice, you can damage the moonroof panel or motor.

### Sunshade



You can slide the sunshade to any position when the moonroof is closed. The sunshade slides open with the moonroof. You must close it manually.

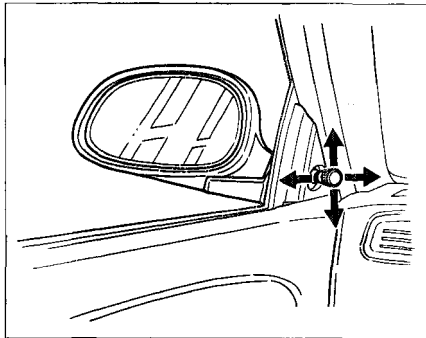
### Mirrors



Keep the inside and outside mirrors clean and adjusted for best visibility. Be sure to adjust the mirrors before you start driving.

The inside mirror has day and night positions. The night position reduces glare from headlights behind you. Flip the tab on the bottom edge of the mirror to select the day or night position.

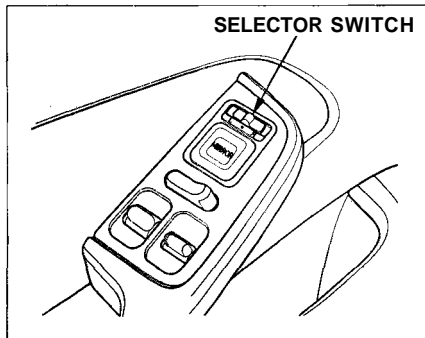
## Manual Door Mirrors



*Only on U.S. DX and Canadian LX models*

The outside mirrors can be adjusted by moving the knob located on each door.

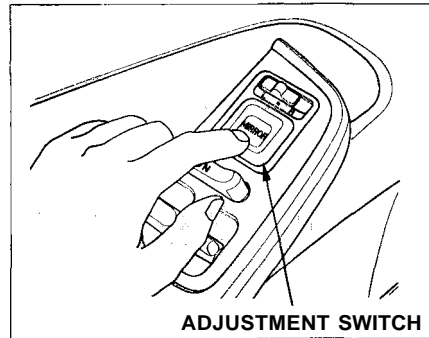
## Adjusting the Power Mirrors



*On U.S. LX and EX models, and Canadian EX-R model*

Adjust the outside mirrors with the adjustment switch on the driver's door armrest:

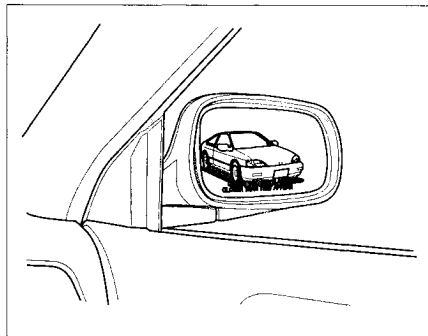
1. Turn the ignition switch ON (II).
2. Move the selector switch to L (driver's side) or R (passenger's side).



3. Push the appropriate edge of the adjustment switch to move the mirror right or left, up or down.
4. When you finish, move the selector switch to the center (off) position. This turns off the adjustment switch so you can't move a mirror out of position by accidentally bumping it.

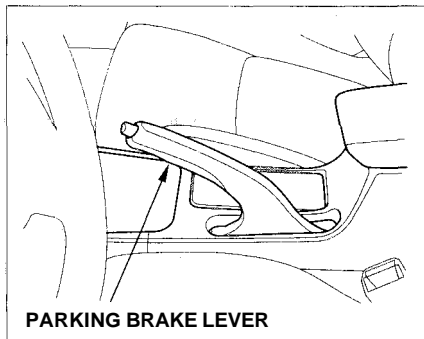
CONTINUED

## Mirrors, Parking Brake



The outside mirror on the passenger's side has curved glass. Objects look farther away than they are. Use this mirror to get a "wide view". Don't use it to judge the distance of things behind you.

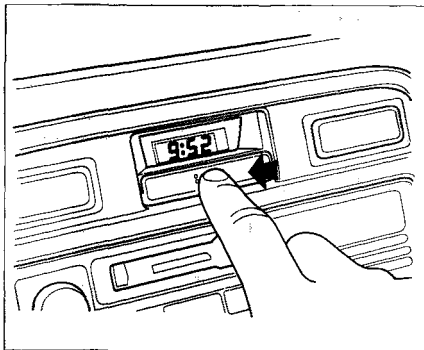
### Parking Brake



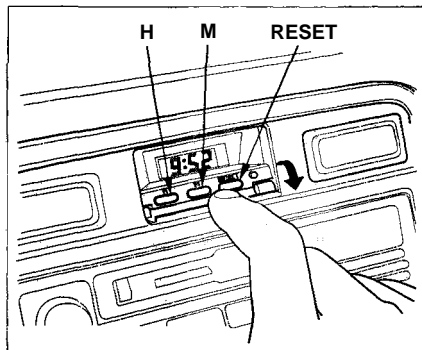
To apply the parking brake, pull the lever up fully. To release it, pull up slightly, push the button, and lower the lever. The parking brake light on the instrument panel should go out when the parking brake is fully released (see page 34). If you try to drive the car without releasing the parking brake, the ABS cannot work properly.

### NOTICE

Driving the car with the parking brake applied can damage the rear brakes and axles.



The digital clock displays the time with the ignition switch ON (II). To see the time with the ignition off, press and hold the wide button under the clock.



To set the clock:

1. Turn the ignition switch ON (II) to display the time.
2. Swing down the front cover of the wide button under the clock display. You will see H, M, and RESET buttons.

3. Press and hold the H button until the hour advances to the desired time.

4. Press and hold the M button until the numbers advance to the desired time.

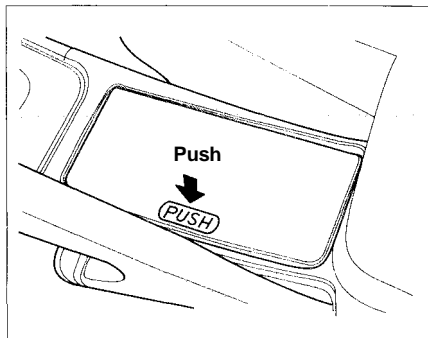
You can use the RESET button to quickly set the time to the nearest hour. If the displayed time is before the half hour, pressing the RESET button sets the clock back to the previous hour. If the displayed time is after the half hour, pressing the RESET button sets the clock forward to the beginning of the next hour.

For example:

- 1:06 would RESET backward to 1:00.
- 1:52 would RESET forward to 2:00.

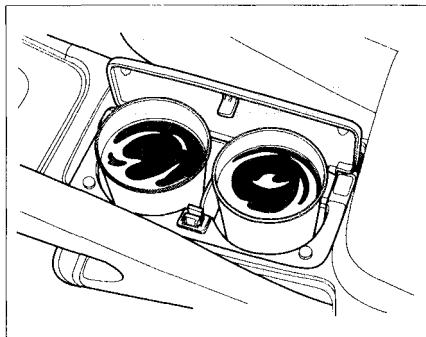
# Beverage Holder, Console Compartment

## Beverage Holder



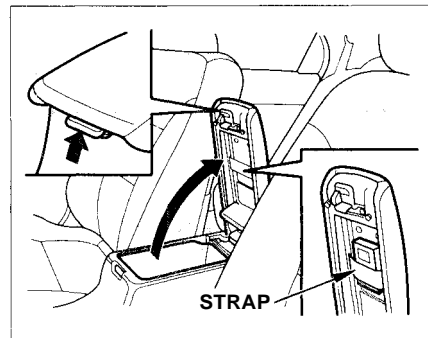
*Only on LX and EX models in the U.S., and EX-R model in Canada*  
To open the beverage holder, push on the top. It is spring-loaded and will swing open. To close it, push it down until it latches.

Use the beverage holder only when the car is parked. If you place cups in the holder while driving, the liquid may spill when you go over bumps or around corners.



Be careful when you are using the cup holder. Spilled liquids can damage the upholstery, carpeting, and electrical components in the interior. If the liquid is very hot, it can scald you or your passengers.

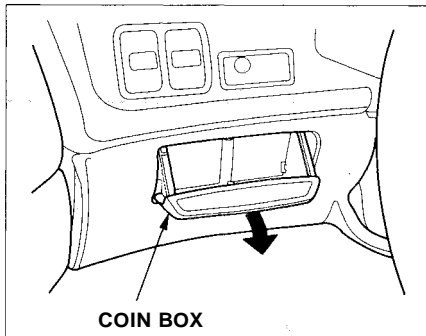
## Console Compartment



To open the console compartment, pull up the front edge of the lid.

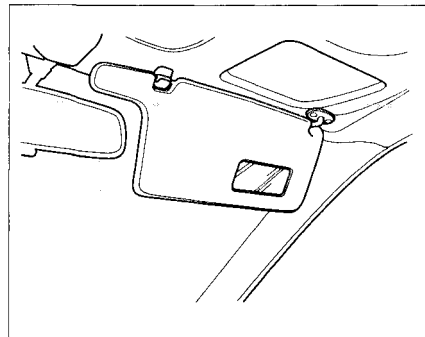
A strap is provided under the console cover to hold your garage door opener.

## Coin Box



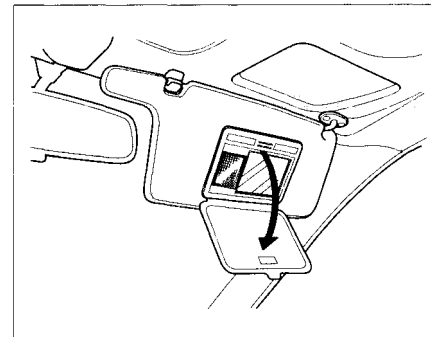
To open the coin box, pull the upper edge. Close it with a firm push.

## Vanity Mirror



*On DX model in the U.S. and LX model in Canada*

To use the vanity mirror, pull down the passenger's sun visor.



*On LX and EX models in the U.S., and EX-R model in Canada*

To use the vanity mirror, pull down the passenger's sun visor and swing down the cover.

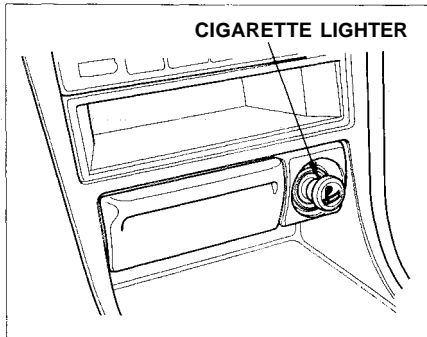
The light beside the mirror comes on only when the light switch is turned on.

The driver's sun visor also has a vanity mirror.



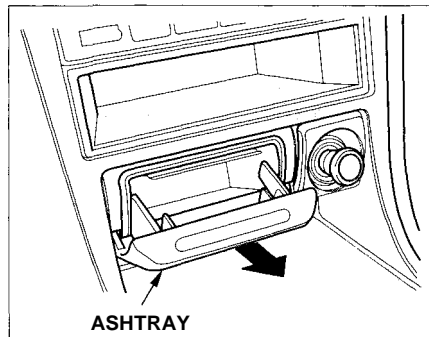
# Cigarette Lighter, Ashtray

## Cigarette Lighter

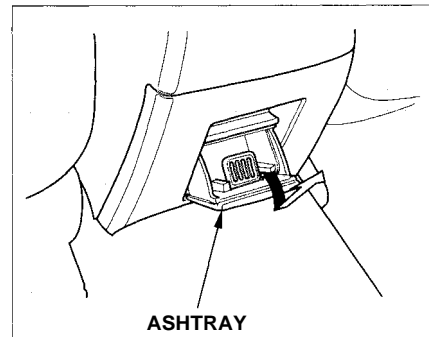


The ignition switch must be in ACCESSORY (I) or ON (II) for the cigarette lighter to work. To heat up the lighter, push it in. It will pop out when it is ready for use. Do not hold the lighter in while it is heating up, you could cause it to overheat.

## Ashtrays



Open the front ashtray by swinging the lid down. To remove it for emptying, open the lid then pull the ashtray straight outward.

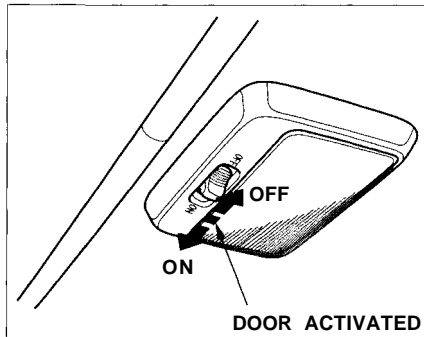


The rear ashtray is at the rear end of the center console. Open the ashtray by swinging the upper edge of the lid down. To remove the ashtray for emptying, open it then lift up and out.

## NOTICE

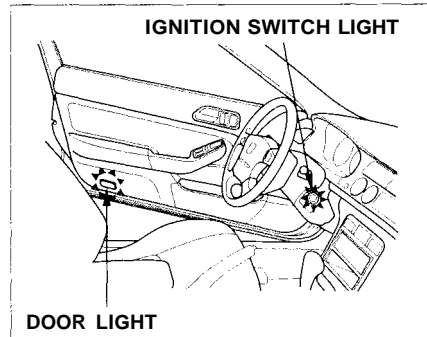
Use the ashtray only for cigarettes, cigars and other smoking materials. To prevent a possible fire and damage to your car, don't put paper or other things that can burn in the ashtray.

## Ceiling Light



The ceiling light has a three-position switch. In the OFF position, the light does not come on. In the center position, the ceiling light comes on when you open either door. In the ON position, the ceiling light stays on continuously.

## Courtesy Lights



*Only on LX and EX models in the U. S., and EX-R model in Canada*  
The ignition switch light comes on when you open the driver's door and stays on several seconds after you close the door.  
The door light comes on when you open the door and goes off when you close the door.

The heating and air conditioning\* system in your car provides a comfortable driving environment in all weather conditions.

\* Air conditioning is optional on U.S. DX and Canadian LX models.

The audio sound system\* is very versatile. To get the most from this system, take the time to learn what the controls do.

Some models have an anti-theft audio system that requires a code number to enable it.

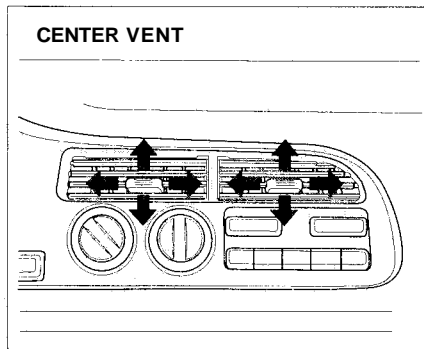
\* Audio sound system is optional on the U.S. DX model.

Heating and Cooling.....	70	Radio Frequencies.....	89
What Each Control Does.....	72	Operating the Cassette Player...	90
How to Use the System.....	73	Cassette Search Functions.....	92
Controlling Air Flow		Caring For Cassettes.....	92
Direction.....	73	Operating the CD Player.....	93
Ventilation.....	73	CD Error Indications.....	96
To Cool with A/C.....	74	Caring for the Cassette Player.....	97
To Heat.....	75	Theft Protection.....	99
To Heat and Dehumidify			
with Air Conditioning.....	75		
To Defog and Defrost.....	76		
To Turn Everything off.....	76		
Audio System (Canadian LX).....	77		
Operating the Radio.....	78		
Finding the Radio Station.....	78		
Presetting.....	79		
Adjusting the Sound.....	79		
Radio Frequencies.....	80		
Operating the Cassette Player...	81		
Cassette Search Functions.....	81		
Caring for Cassettes.....	81		
Audio System (Except U.S. DX and			
Canadian LX).....	82		
Operating the Radio.....	84		
Presetting.....	86		
Adjusting the Sound.....	88		

## Heating and Cooling

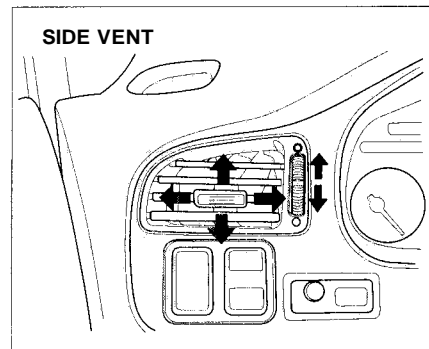
This system has full heating, ventilation, and air conditioning capabilities. You can adjust the system controls to mix these in various combinations. The air flows into the interior at three possible levels, which you can select.

*(U.S. DX and Canadian LX models)*  
If you purchased your car without air conditioning, it can be installed at any time. A Genuine Honda air conditioning system is available from your dealer. It meets Honda's high quality standards and is designed to fit your car. Please contact your dealer for more information.

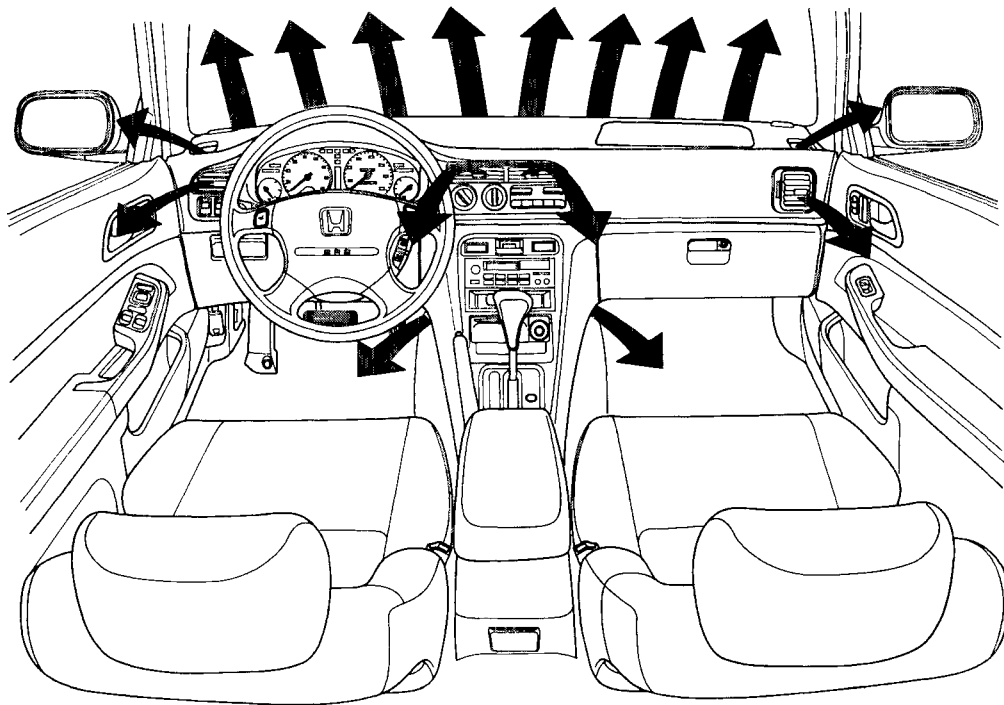


The direction of air flow from the vents in the center and each side of the dashboard is adjustable. Move the tab in the center of each vent up and-down and side-to-side.

The side vents can be opened and closed with the dial next to it.



The heating and cooling system draws air through the exterior vents at the bottom of the windshield. Keep these vents clear of leaves and other debris.



# Heating and Cooling

## What Each Control Does

### Fan Control Dial

Turning this dial clockwise increases the fan speed, which increases air flow.

### Temperature Control Dial

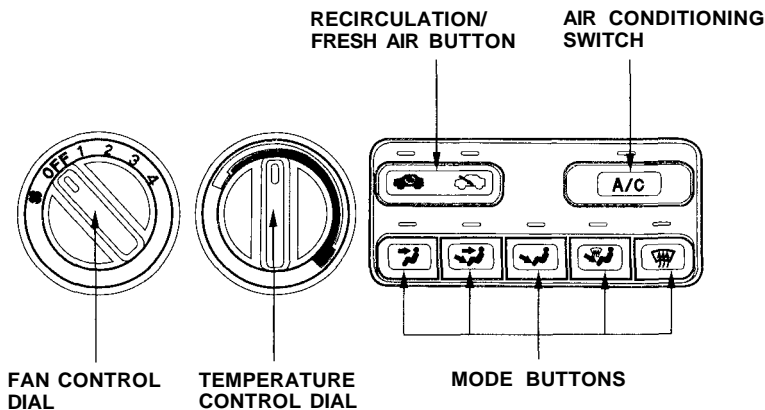
Turning this dial clockwise increases the temperature of air flowing from the system.

### Mode Buttons



These buttons control the direction of air flow. The indicator light shows which button is controlling air flow.

### Air Conditioning (A/C) Switch

This switch turns the air conditioning ON and OFF. The indicator above the switch lights when the A/C is ON.





### Recirculation/Fresh Air Button

This button controls the source of air going into the system. When the  side of the button is pressed, air comes from outside the car (the Fresh Air mode). When the  side of the button is pressed, the interior air recycles through the system (the Recirculation mode).

The indicator light shows which mode is selected.

## How to Use the System




This section covers the best way to use the system for ventilation, cooling, dehumidifying, defrosting and heating. In most cases, the mode and air source selections are only recommendations. You may prefer different settings.

Use  mode to heat or cool the interior more quickly, or to keep out smoke and dust. Leaving the system in the recirculation mode with the A/C off can cause the windows to fog up. Switch to  mode as soon as the interior reaches a comfortable temperature or the outside smoky, dusty condition clears.


The engine must be running for the heater and air conditioning to provide hot and cold air. The heater uses engine coolant to warm the air. If the engine is cold, it will be several minutes before you feel warm air circulating.

The air conditioning system does not depend on engine temperature. It can produce cold air almost immediately.

### Controlling Air Flow Direction

Air flows into the interior at three levels: Toward the floor , through the dash vents  and toward the windshield and side windows . You select the air flow level or combination of levels with the five mode buttons.


### Ventilation

Your car has a flow-through ventilation system. Air enters the car through vents in front of the windshield. It circulates through the interior then exits through vents near the rear window. This system provides fresh air even when the car is standing still. To bring in outside air, press the  button. Set the fan at a comfortable speed.



CONTINUED

# Heating and Cooling

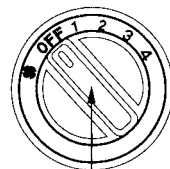
## To Cool with A/C

To operate the air conditioning system, press the air conditioning switch. Set the fan to the desired speed. You can also use the  mode button to direct air out of the dash and heater vents.

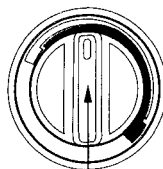
To cool the interior down rapidly after the car has been sitting in the sun:

1. Start the engine.
2. Turn on the A/C by pressing the switch.
3. Set the fan to maximum speed.
4. Open the windows partially. Select  and .

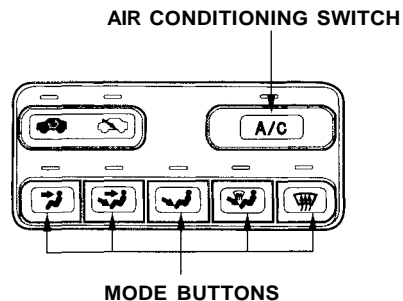
When the interior reaches a comfortable temperature, close the windows and set the system for cooling as described above.



FAN CONTROL DIAL



TEMPERATURE CONTROL DIAL





Air conditioning places an extra load on the engine. Watch the engine coolant temperature gauge (see page 38) when using the A/C in heavy traffic or driving up long hills. If it moves near the red zone, turn off the air conditioning until the gauge reads normally.




## To Heat

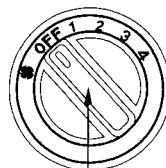
To warm the interior:

1. Start the engine.
2. Select  and .
3. Switch the fan to the desired speed.
4. Adjust the warmth of the air with the temperature control dial.

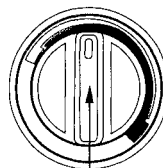
## To Heat and Dehumidify with Air Conditioning

Air conditioning removes moisture from the air as it operates. When used in combination with the heater, it makes the interior warm and dry.

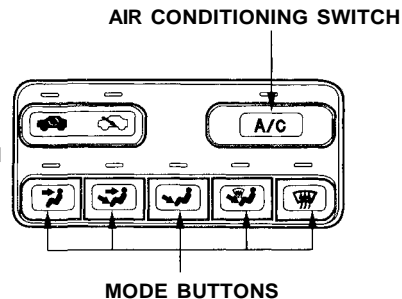
1. Switch the fan on.
2. Turn on the air conditioning.
3. Select  and any desired mode button.
4. Adjust the temperature control dial so the mixture of heated and cooled air feels comfortable.



FAN CONTROL DIAL



TEMPERATURE CONTROL DIAL



This setting is suitable for all driving conditions whenever the outside temperature is above 32° F (0°C).



CONTINUED

## Heating and Cooling



---



### **To Defog and Defrost**

To remove fog from the inside of the windows:

1. Switch the fan on.
2. Turn on the air conditioning.
3. Select  and .
4. Adjust the temperature control dial so the air flow from the defroster vents feels warm.
5. Turn on the rear window defogger to help clear the rear window.

To remove exterior frost or ice from the windshield and side windows after the car has been sitting out in cold weather:

1. Start the engine.
2. Select  and .
3. Switch the fan and temperature controls to maximum.

To rapidly remove exterior frost or ice from the windshield (on very cold days), first select . Once the windshield is clear, select  to avoid fogging the windows.

These settings direct all the air flow to the defroster vents at the base of the windshield and the side window defroster vents. The air flow will get warmer and clear the windows faster as the engine warms up. You can close the side vents with the dial beside each vent. This will send more warm air to the windshield defroster vents.

For safety, make sure you have a clear view through all the windows before driving away.

### **To Turn Everything Off**

To shut off the system temporarily, turn the fan speed and temperature control dials all the way OFF.

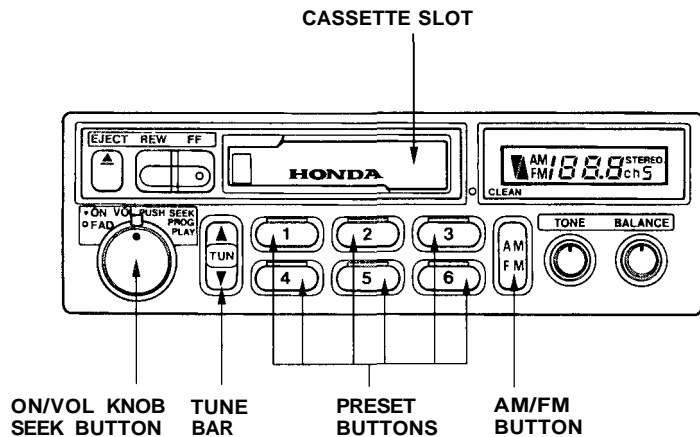
You should shut the system completely off only for the first few minutes of driving in cold weather, until the engine coolant warms up enough to operate the heater. Keep the fan on at all other times so stale air does not build up in the interior.

## AM/FM/Cassette Stereo Audio System

*For Canadian LX model only*

Your Honda audio system is easy to use, and will give clear AM/FM reception. The preset buttons allow you to select six stations on each band.

The cassette player features auto-reverse for continuous play.

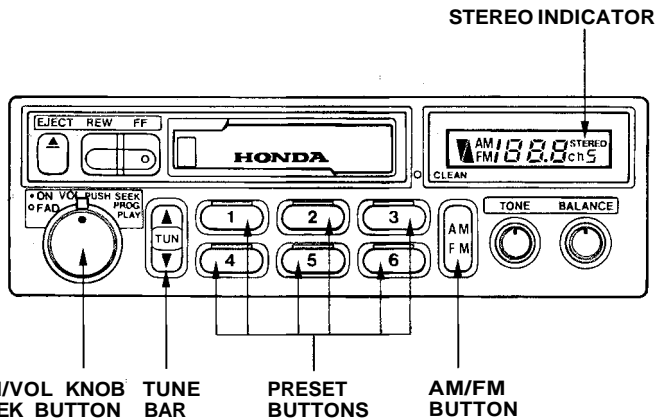


# Audio System

## Operating the Radio

The ignition switch must be in ACCESSORY (I) or ON (II) to operate the audio system. Turn the system on by turning the ON/VOL knob clockwise. The radio comes on and displays the frequency of the station it was last tuned to.

Adjust the volume by turning the ON/VOL knob.



Select the band you want to listen to by pressing the AM/FM button. You will see the selected band and the frequency in the display. STEREO will be displayed next to the frequency if the station is broadcasting in FM stereo. The AM stereo feature is not available.

## Finding the Radio Station

You can use any of three methods to find radio stations on the selected band: TUNE, SEEK, or the Preset buttons.

Use the TUNE bar to change the frequency in small increments. Press the top (▲) to go up, and the bottom (▼) to go down. Press and release to change the frequency to the next number.

Press the TUNE bar and hold it to go to a frequency that is far away. The frequency display will begin to count rapidly. It will stop counting when you release the bar.

The SEEK function searches for radio stations with strong signals. Every time you press the ON/VOL button, it advances to the next station.

## Presetting

The preset buttons allow you to store radio frequencies for later selection. Each button will store one frequency on the AM band, and one on the FM band.

To store a frequency:

1. Select the desired band, AM or FM.
2. Use the TUNE or SEEK function to tune the radio to a desired station.
3. Pick the Preset button you want for that station. Press the button and hold it until you hear a beep. Repeat steps 1 to 3 to store a total of six stations each on AM and FM.

Once that station's frequency is stored, simply press and release the proper preset button to tune to it. If you want to change any preset button's selection, store another frequency as described. The frequencies you preset will be lost if your car's battery goes dead or is disconnected.

## Adjusting the Sound

Use the Balance and Fader controls to adjust the sound "direction". The Balance control moves it left-to-right. The Fader control moves it front-to-back.

Use the Tone control to adjust the bass and treble to your liking.

The radio panel illumination comes on with the instrument panel lights, even with the radio off. You can turn off this illumination even with the radio on by pulling the Balance control knob out. Check this knob if the lights do not come on with the instrument panel lights.

# Audio System

## Radio Frequencies

Your Honda's radio can tune in all frequencies in both the AM and FM bands.

Those bands cover these frequencies:

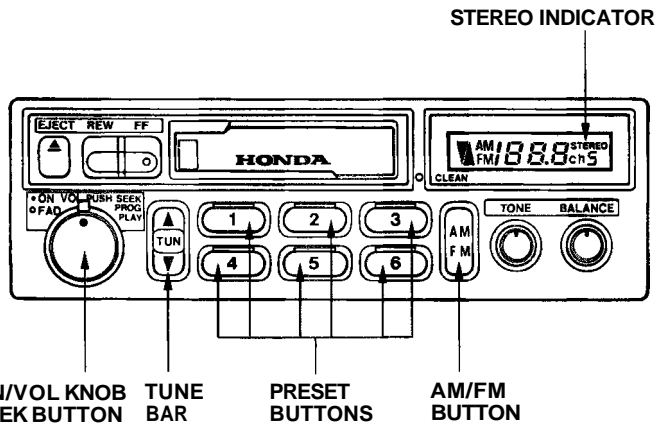
AM band:

530 kilohertz to 1,710 kilohertz

FM band:

87.7 megahertz to 107.9 megahertz

Radio stations on the AM band are assigned frequencies at least 10 kilohertz apart (530, 540, 550). Those on the FM band are assigned frequencies at least 0.2 megahertz apart (87.9, 88.1, 88.3).



Stations must use these exact frequencies. It is fairly common for stations to round-off the frequency in their advertising, so your radio will show a frequency of 100.9 even though the announcer may call the station "FM101."

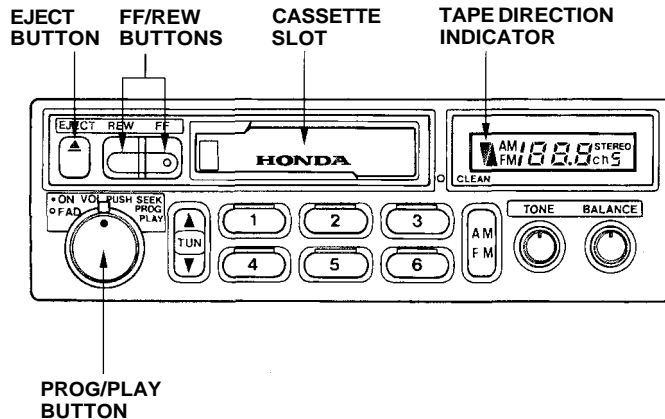
## Operating the Cassette Player

Turn the system ON. Insert the cassette into the slot with the tape opening to the right. Push the cassette in most of the way. The drive will pull it in the rest of the way and begin to play.

The ▲ or ▼ will light to show you which side of the cassette is playing. The ▲ indicates the side you inserted facing upward is now playing. To play the other side of the tape, press the PROG/PLAY button.

The system also has an Auto-reverse feature. It will automatically reverse direction when it reaches the end of the cassette.

To remove the cassette from the drive, press the EJECT button. The system automatically ejects the cassette whenever you turn off the system or the ignition switch.



## Cassette Search Functions

Fast forward and rewind allow you to move the tape rapidly to find a desired program. Note which direction the tape is moving from the Tape Direction Indicator. Press the FF or REW button to move the tape in the same direction or the opposite direction. It will go back to PLAY

when you push the PLAY button.

## Caring for Cassettes

Damaged cassettes can jam inside the drive or cause other problems. See page 97 for information on cassette care and protection.

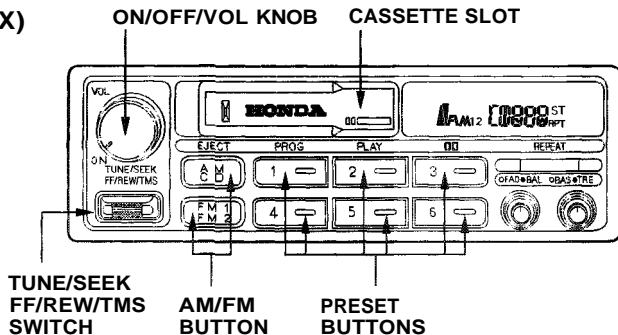
# Audio System

## AM/FM/Cassette Stereo Audio System

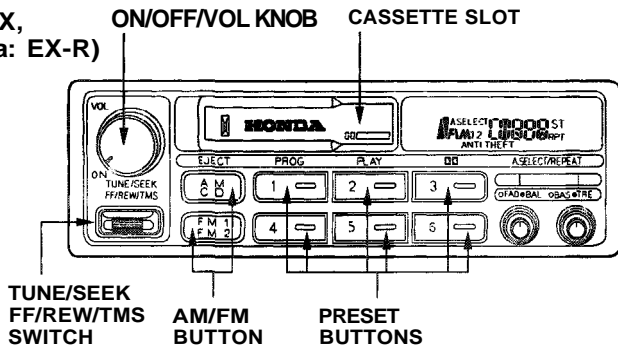
For U.S. LX and EX models, and Canadian EX-R model

Your Honda audio system is easy to use, and will give clear AM/FM reception. The preset buttons allow you to select six stations on AM and twelve stations on FM.

(US: LX)




(US: EX, Canada: EX-R)



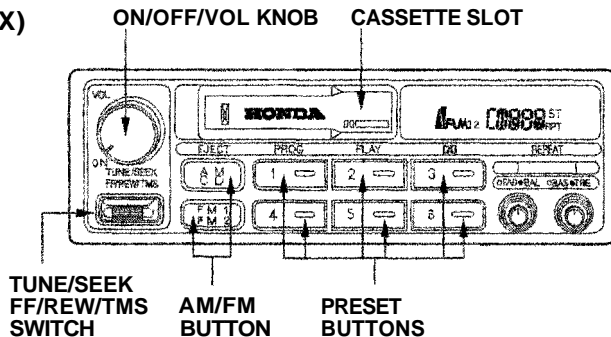


The cassette system uses Dolby B<sup>®</sup> noise reduction to give excellent sound reproduction. The system also senses when a metal or chromium-dioxide (CrO<sub>2</sub>) tape is being played and adjusts accordingly.

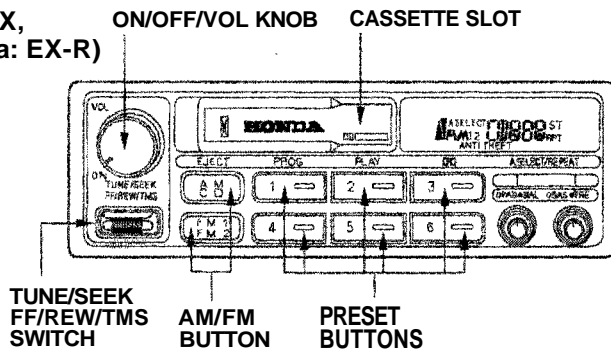
*On U.S. EX and Canadian EX-R models*  
The Anti-theft feature disables the system if it is disconnected from the car's battery. To get the system working again, you must enter a code number,

\* Dolby noise reduction manufactured under license from Dolby Laboratories Licensing Corporation. "DOLBY" and the double-D symbol  are trademarks of Dolby Laboratories Licensing Corporation.

(US: LX)



(US: EX,  
Canada: EX-R)



# Audio System

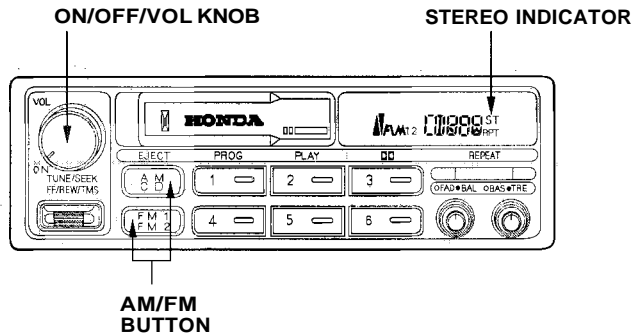
## Operating the Radio

The ignition switch must be in ACCESSORY (I) or ON (II) to operate the audio system. Turn the system on by turning the ON/OFF/VOL knob clockwise. The radio comes on and displays the frequency of the station it was last tuned to. The system turns off when you turn the ignition switch to LOCK (0).

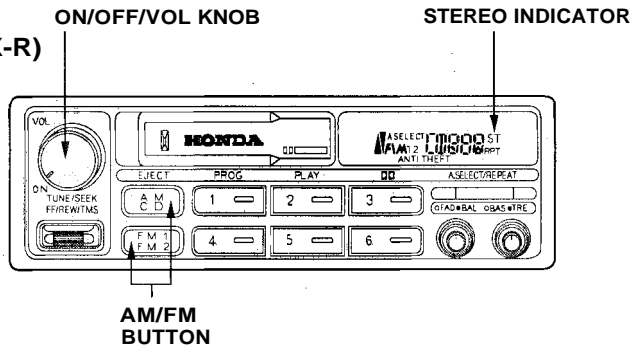
Adjust the volume by turning the ON/OFF/VOL knob.

Select the band you want to listen to by pressing the AM/FM button. You will see the selected band and the frequency in the display. ST will be displayed next to the frequency if the station is broadcasting in FM stereo. The AM stereo feature is not available.

(US: LX)



(US: EX,  
Canada: EX-R)

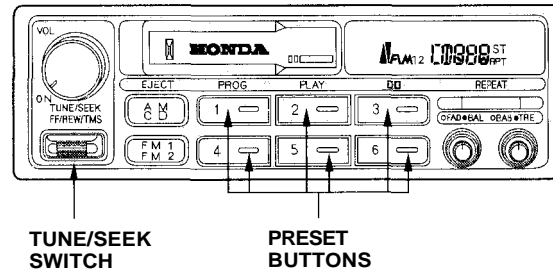


You can use any of three methods to find radio stations on the selected band: TUNE, SEEK, or the Preset buttons.

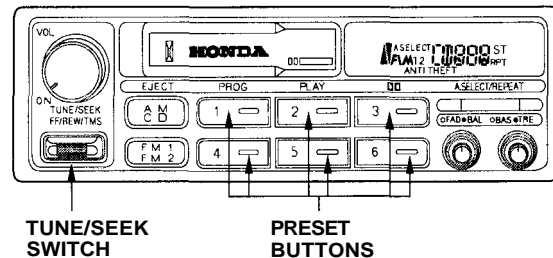
The TUNE function lets you find a desired frequency. Push the TUNE/SEEK switch up to change to a higher frequency, and down to change to a lower frequency. To change the frequency up or down a single increment, push and release the TUNE/SEEK switch.

The SEEK function searches the band for stations with a strong signal. Depending on which way you push the TUNE/SEEK switch, the system searches up or down from the current frequency. Push the switch until you hear a beep, then release it. The system searches until it finds a station with a strong signal, then stops. If you do not want to listen to that station, push TUNE/SEEK again.

**(US: LX)**



**(US: EX,  
Canada: EX-R)**



# Audio System

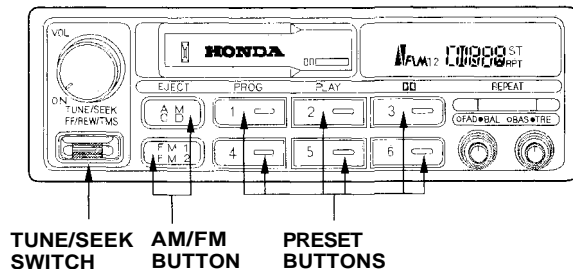
## Presetting

The preset buttons allow you to store radio frequencies for later selection. Each button will store one frequency on the AM band, and two on the FM band.

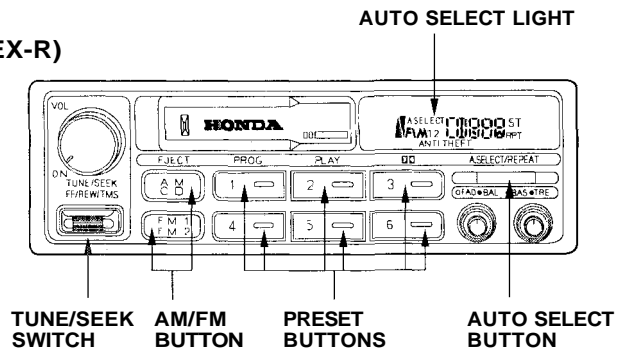
To store a frequency:

1. Select the desired band, AM or FM. FM1 and FM2 let you store two frequencies with each Preset button.
2. Use the TUNE or SEEK function to tune the radio to a desired station.
3. Pick the Preset button you want for that station. Press the button and hold it until you hear a beep.
4. Repeat steps 1 to 3 to store a total of six stations on AM and twelve on FM.

(US: LX)



(US: EX,  
Canada: EX-R)



Once that station's frequency is stored, simply press and release the proper preset button to tune to it. If you want to change any preset button's selection, store another frequency as described. The frequencies you preset will be lost if your car's battery goes dead or is disconnected.

*On U.S. EX and Canadian EX-R models*  
The AUTO SELECT function allows you to find stations easily when you are in an unfamiliar area. Press the AUTO SELECT button. The system automatically scans both bands to find six strong stations on AM and twelve on FM, and stores their frequencies in the Preset buttons. You can then use the Preset buttons in the normal manner to select those stations. "A SELECT" stays displayed next to the frequency as a reminder.

If you are in a remote area, AUTO SELECT may not find enough stations to fill all the available presets. If this is the case, you will see a "0" displayed when you press any Preset button that does not have a station stored.

AUTO SELECT does not erase the stations you have manually preset. When you return to your normal reception area, turn off AUTO SELECT by pressing the button again. The light goes out and the Preset buttons can then select the stations you originally set.

You cannot manually store radio station frequencies in the Preset buttons when AUTO SELECT is ON. If you do not like the stations found by AUTO SELECT, you can still use the TUNE or SEEK function to find other stations.

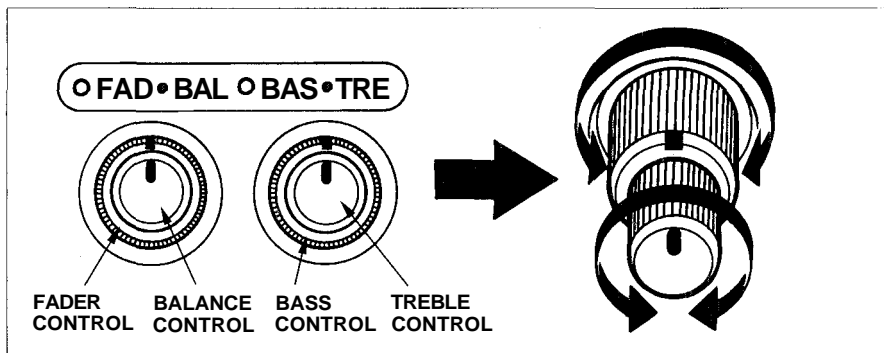
## Audio System

### Adjusting the Sound

Use the Balance and Fader controls to adjust the sound "direction". The Balance control moves it left-to-right. The Fader control moves it front-to-back.

To use either control, push on the knob to get it to pop out. Adjust the front-to-back sound to your liking with the outside ring.

Adjust side-to-side sound balance with the knob. Push the knob back in when you are done.



The illumination for the radio controls comes on with the instrument panel lights, even if the radio is off. You can use the Balance control to turn off the radio panel illumination even with the radio on. Push the control knob so it pops out, then pull it out slightly further. Check this control if the control panel lights do not come on with the instrument panel lights.

Use the Bass and Treble controls to adjust the tone quality to your liking. Push on the knob to get the controls to pop out. Adjust the bass level with the outer ring and the treble level with the knob. When finished, push the knobs back in so there is less chance of accidentally changing your settings.

## Radio Frequencies

Your Honda's radio can tune in all frequencies in both the AM and FM bands.

Those bands cover these frequencies:

AM band:

530 kilohertz to 1,710 kilohertz

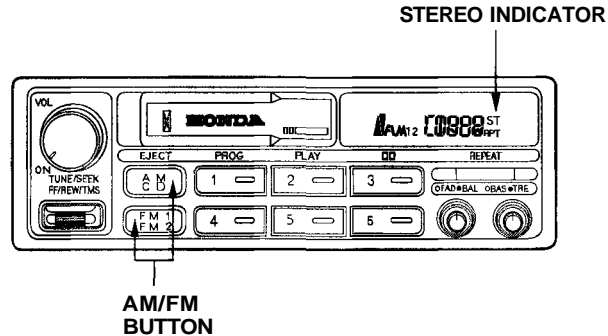
FM band:

87.7 megahertz to 107.9 megahertz

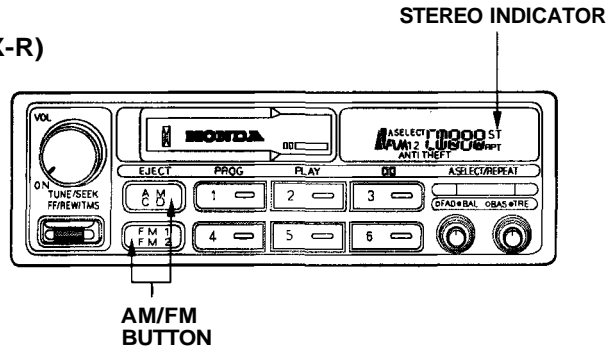
Radio stations on the AM band are assigned frequencies at least 10 kilohertz apart (530, 540, 550). Those on the FM band are assigned frequencies at least 0.2 megahertz apart (87.9, 88.1, 88.3).

Stations must use these exact frequencies. It is fairly common for stations to round-off the frequency in their advertising, so your radio will show a frequency of 100.9 even though the announcer may call the station "FM101."

(US: LX)



(US: EX,  
Canada: EX-R)



# Audio System

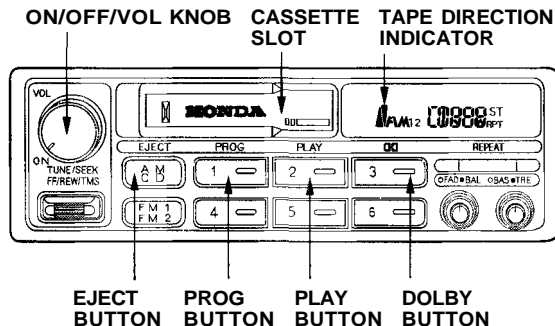
## Operating the Cassette Player

Turn the system ON. Insert the cassette into the slot with the tape opening to the right. Push the cassette in most of the way. The drive will pull it in the rest of the way and begin to play.

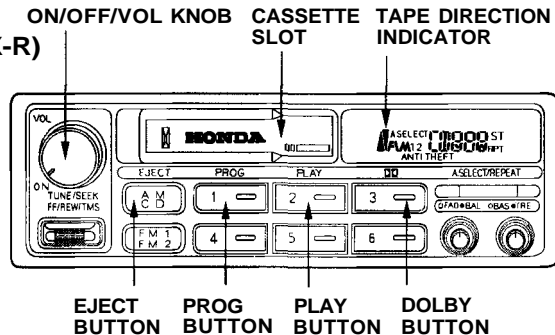
The ▲ or ▼ will light to show you which side of the cassette is playing. The ▲ indicates the side you inserted facing upward is now playing. To play the other side of the tape, press the PROG button.

The system also has an Auto-reverse feature. It will automatically reverse direction when it reaches the end of the cassette.


(US: LX)



(US: EX,  
Canada: EX-R)

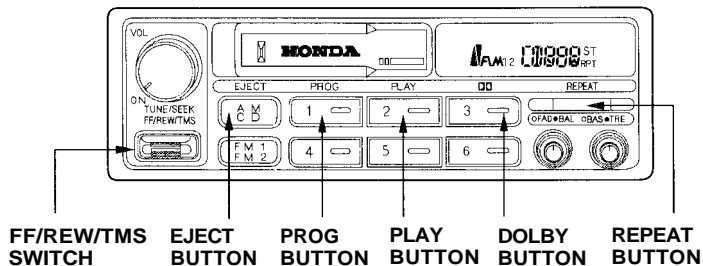




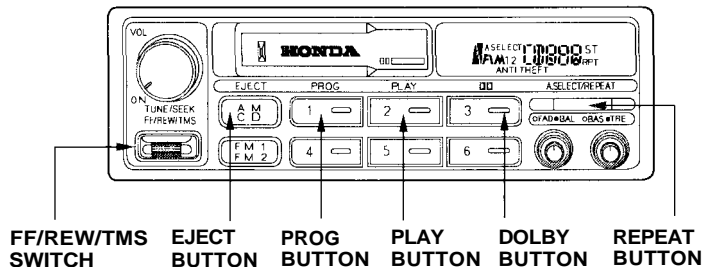
Dolby® noise reduction turns on when you insert a cassette. If the tape was not recorded with Dolby "B" noise reduction, turn it off by pressing the  button.

To remove the cassette from the drive, press the EJECT button. The system automatically ejects the cassette whenever you turn off the system or the ignition switch.

(US: LX)



(US: EX,  
Canada: EX-R)



## Cassette Search Functions

Once a cassette is playing, you can use the FF, REW, TMS, or REPEAT function to look for desired songs or passages.

To rewind the tape, push the FF/REW/TMS switch down then release it. You will see REW in the display. To fast forward the tape, push the switch up then release it. You will see FF displayed. To stop rewind or fast forward, press the PLAY button. If the system reaches the end of the cassette while in fast forward or rewind, it automatically stops that function, reverses direction, and begins to play. Press the REPEAT button to replay the current passage. You will see RPT displayed. When the system reaches the end of the song or passage that is being played, it automatically goes into rewind. When it senses the beginning of that passage, it goes back to play. The

system will continue repeating this passage until you turn off REPEAT by pressing the button again.

The TMS function lets you skip to the beginning of a song or other passage. The tape skips forward or backward, depending on which direction you push the FF/REW/TMS switch.

Activate TMS by pushing the FF/REW/TMS switch and holding it until you hear a beep. If you push the switch down, you will see REW blinking in the display as the tape rewinds. If you push the switch up, you will see FF blinking in the display as the tape fast forwards. When the system senses a silent period on the tape, it goes back to PLAY mode.

The REPEAT and TMS functions use silent periods on the tape to find the end of a selection. These features may not work satisfactorily on tapes that have almost no gap between songs, a high noise level between songs, or silent periods in the middle of songs.

## Caring for Cassettes

Damaged cassettes can jam inside the drive or cause other problems. See page [98](#) for information on cassette care and protection.

## Operating the CD Player

*Optional for U.S. LX and EX models and Canadian EX-R model*

A Compact Disc changer is available for your car. It holds up to six discs, providing several hours of continuous programming. You operate the CD changer with the same controls used for the radio and cassette player.

Load the desired CD's in the magazine and load the magazine in the changer according to the instructions that came with the unit.

Your dealer has Genuine Honda accessory in-dash CD players available that are operated by the radio controls. If you have one of these units, use the directions in this section (except for multi-disc selection) to operate it.

To operate the CD changer, the ignition key must be in ACCESSORY (I) or ON (II). If you are listening to a cassette tape, eject it before playing a CD.

Press the CD button until "CD" appears on the display. Once in the CD mode, the system will start to play the first track of the first disc in the magazine.

When that disc ends, the next disc in the magazine is loaded and played.

After disc 6 has completed, the system will return to disc 1. To make your own disc selection, push one of the six preset buttons. Your selection will appear in the display and start playing.

You can use the TUNE/SEEK switch while a disc is playing to select passages and change tracks. To move rapidly forward within a track, push up and hold the TUNE/SEEK switch. Push down and hold the switch to move rapidly backward within a track. You will hear a beep a half second after you push the switch up or down. Keep pushing the switch until you think the track has advanced or returned to the desired position. The disc will start playing when you release the switch.

If you push the TUNE/SEEK switch up and release it before you hear a beep, the system will skip forward to the beginning of the next track on that CD.

It will skip backward to the beginning of the current track if you push the switch down and release it.

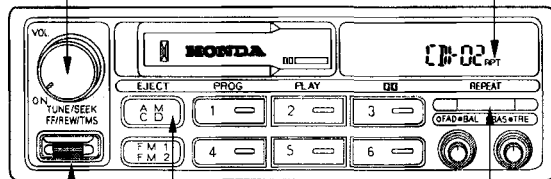
CONTINUED

# Audio System

(US: LX)

ON/OFF/VOL KNOB

RPT INDICATOR



TUNE/SEEK SWITCH

CD BUTTON

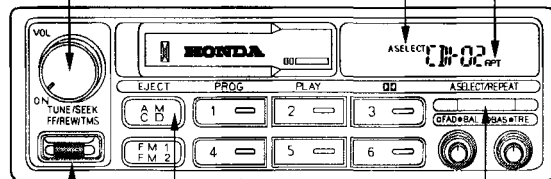
REPEAT BUTTON

(US: EX,  
Canada: EX-R)

ON/OFF/VOL KNOB

A. SELECT INDICATOR

RPT INDICATOR



TUNE/SEEK SWITCH

CD BUTTON

A. SELECT/REPEAT BUTTON

If you push the REPEAT button on the U.S. LX model or the A. SELECT/REPEAT button on the U.S. EX and Canadian EX-R models, the system will continuously play the track you are listening to. You will see RPT in the display. Push the switch again to turn off the REPEAT mode.

*On U.S. EX and Canadian EX-R models*  
You can get the CD player to randomly select tracks by pressing A. SELECT/REPEAT until you see A. SELECT in the display. With this active, the system selects and plays the tracks randomly, rather than sequentially, on each disc. When the system has played all the tracks on that disc, it loads the next disc and starts to play randomly. The system continues to select and play tracks randomly on each of the six discs until you press the A. SELECT/REPEAT button again.

To turn on random play mode while the system is in the REPEAT mode, turn off REPEAT mode first by pressing the A. SELECT/REPEAT button. Then, press the button again as explained above.

- If you change modes to radio or tape while a CD is playing, then change back to CD mode, the same disc and track will play.
- If you turn off the system while a CD is playing, either with the ON-OFF/VOL knob or by turning off the ignition, the system will begin at the same disc and track when you turn it back on.
- If you try to select an empty slot in the magazine, the system will select and play the first track of the next disc in the magazine.

To return to the radio function, press the AM/FM button.

## CD Error Indications

If you see an error indication on the display, find the cause in the chart to the right. If you cannot clear the error indication, take the car to your Honda dealer.

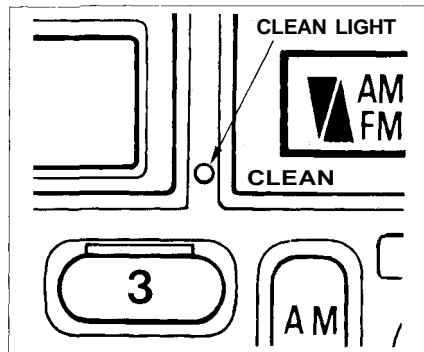
Indication	Cause	Solution
<i>E-D1</i>	Disc-changer malfunction.	Consult Honda dealer.
<i>E-D2</i>	Disc is in changer mechanism.	Press the magazine eject button, and insert an empty magazine.
<i>E-D3</i> <i>E-D4</i> <i>E-D5</i>	Disc-changer malfunction.	If the code disappears within a few seconds, unit is OK. If it does not, consult your Honda dealer.
<i>E-D6</i>	Disc-changer malfunction.	Press the magazine eject button and pull out the magazine, check for error indication. Insert the magazine again. If the magazine can not be pulled out, consult your Honda dealer.
<i>E-D7</i>	CD magazine ejection impossible.	Press the magazine eject button. If the magazine does not eject, consult your Honda dealer.
<i>---H</i>	High temperature.	Will disappear when the temperature returns to normal.
<i>E-EE</i>	Misconnection or disconnection of CD changer.	See your Honda dealer.
<i>----</i>	No CD magazine in the CD changer.	Insert CD magazine.

### *For Canadian LX model only*

The cassette drive picks up dirt and oxides whenever you play a tape. This builds up over time and causes the sound quality to degrade. To prevent this, you should clean the cassette drive after every 30 hours of use. Your dealer has a cleaning kit available for this purpose.

To remind you, a small red light labelled CLEAN comes on every 50 hours of tape use. If you are already regularly cleaning the tape drive at least every 30 hours, simply push the CLEAN light for five seconds to turn it off.

If you do not clean the cassette drive regularly, it may eventually become impossible to remove the deposits with a normal cleaning kit.



The cassette player automatically ejects cassettes that do not play normally. If it ejects a cassette before it begins to play, it is probably defective and should not be inserted again. You may have a cassette suddenly stop playing, reverse directions once or twice and then eject. This is normally an indication the tape is wound unevenly. It should play normally after being manually rewound.

Use 100-minute or shorter cassettes. Cassettes longer than 100 minutes use thinner tape that may break or jam the drive.

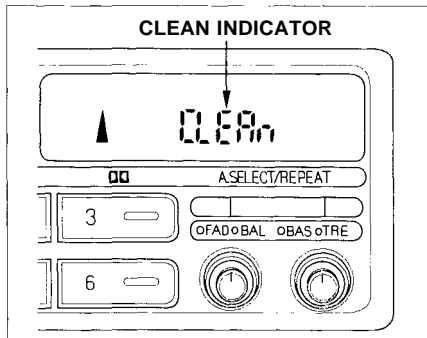
Look at a cassette before you insert it. If the tape is loose, tighten it by turning one of the hubs with a pencil or your finger.

If the label is peeling off, do not put it in the player. It may cause the cassette to jam in the drive mechanism when you try to eject it. Do not leave cassettes sitting where they are exposed to high heat or humidity, such as on top of the dashboard or in the player. If a cassette is exposed to extreme heat or cold, let it reach a moderate temperature before putting it in the player.

CONTINUED

## Caring for the Cassette Player

*On U.S. LX and EX models, and Canadian EX-R model*



The cassette drive picks up dirt and oxides whenever you play a tape. This builds up over time and causes the sound quality to degrade. To prevent this, you should clean the cassette drive after every 30 hours of use. Your dealer has a cleaning kit available for this purpose.

After 30 hours of tape use, you will see CLEAN flashing for 5 seconds in

the display when you insert a tape into the tape slot. If you are already regularly cleaning the tape drive at least every 30 hours, reset the indicator by pressing the Preset 6 button while the system is in the tape operation mode. Hold the button until you hear a beep and the CLEAN indicator goes out.

If you do not clean the cassette drive regularly, it may eventually become impossible to remove the deposits with a normal cleaning kit.

The cassette player automatically ejects cassettes that do not play normally. If it ejects a cassette before it begins to play, it is probably defective and should not be inserted again. You may have a cassette suddenly stop playing, reverse directions once or twice and then eject. This is normally an indication the tape is wound unevenly. It should play normally after being manually

rewound.

Use 100-minute or shorter cassettes. Cassettes longer than 100 minutes use thinner tape that may break or jam the drive.

Look at a cassette before you insert it. If the tape is loose, tighten it by turning one of the hubs with a pencil or your finger.

If the label is peeling off, do not put it in the player. It may cause the cassette to jam in the drive mechanism when you try to eject it.

Do not leave cassettes sitting where they are exposed to high heat or humidity, such as on top of the dashboard or in the player. If a cassette is exposed to extreme heat or cold, let it reach a moderate temperature before putting it in the player.



*On U.S. EX and Canadian EX-R models*  
Your car's audio system will disable itself if it is disconnected from electrical power for any reason. To make it work again, the user must enter a specific five-digit code in the Preset buttons. Because there are hundreds of number combinations possible from five digits, making the system work without knowing the exact code is nearly impossible.

You should have received two copies of a card that lists your audio system's code number and serial number. It is best to store one of these cards in a safe place at home, and to keep the other in your wallet or purse. In addition, you should write the audio system's serial number in this Owner's Manual. If you should happen to lose both cards, you must obtain the code number from your Honda dealer. To do this, you will need the system's serial number.

If your car's battery is disconnected or goes dead, the audio system will disable itself. If this happens, you will see "Code" in the frequency display the next time you turn on the system. Use the Preset buttons to enter the five-digit code. If it is entered correctly, the radio will start playing.

If you make a mistake entering the code, do not start over or try to correct your mistake. Complete the five-digit sequence, then enter the correct code. You have three tries to enter the correct code. If you are unsuccessful in three attempts, you must then leave the system on for one hour before trying again.

You will have to store your favorite stations in the Preset buttons after the system begins working. Your original settings were lost when power was disconnected.

Before you begin driving your Honda, you should know what gasoline to use, and how to check the levels of important fluids. You also need to know how to properly stow luggage or packages. This section will help you. If you plan to add any accessories to your car, please read the information in this section first.

Break-in Period.....	102
Gasoline.....	102
Oxygenated Fuels.....	102
Driving in Foreign Countries...	103
Service Station Procedures.....	104
Filling the Fuel Tank.....	104
Opening the Hood.....	105
Fuel Economy.....	108
Vehicle Condition.....	108
Driving Habits.....	108
Accessories.....	109
Loading Cargo.....	110

## Break-in Period, Gasoline

---

### Break-in Period

Help assure your car's future reliability and performance by paying extra attention to how you drive during the first 1,000 km (600 miles). During this period:

- Avoid full-throttle starts and rapid acceleration.
- If you need to add oil, use the engine oil recommended in this owner's manual.
- Avoid hard braking. New brakes need to be broken-in by moderate use for the first 300 km (200 miles).

You should follow these same recommendations with an overhauled or exchanged engine, or when the brakes are relined.

### Gasoline

Your Honda operates most effectively on unleaded gasoline with a pump octane number of 86 or higher. Use of a lower octane gasoline can cause a persistent, heavy metallic rapping noise in the engine that can lead to mechanical damage.

We recommend gasolines containing detergent additives that help prevent fuel system and engine deposits.

Using gasoline containing lead will damage your car's emission controls. This contributes to air pollution and can void certain parts of your warranty.

### *Oxygenated Fuels*

Some conventional gasolines are being blended with alcohol or an ether compound. These gasolines are collectively referred to as oxygenated fuels. To meet clean air standards, some areas of the United States and Canada use oxygenated fuels to help reduce emissions.

If you use an oxygenated fuel, be sure it is unleaded and meets the minimum octane rating requirement.

Before using an oxygenated fuel, try to confirm the fuel's contents. Some states/provinces require this information to be posted on the pump.

The following are the EPA-approved percentages of oxygenates:

**ETHANOL** (ethyl or grain alcohol)  
You may use gasoline containing up to 10% ethanol by volume. Gasoline containing ethanol may be marketed under the name "Gasohol."

**MTBE** (Methyl Tertiary Butyl Ether)  
You may use gasoline containing up to 15% MTBE by volume.

**METHANOL** (methyl or wood alcohol)  
You may use gasoline containing up to 5% methanol by volume as long as it also contains cosolvents and corrosion inhibitors to protect the fuel system. Gasoline containing more than 5% methanol by volume may cause starting and/or performance problems. It may also damage metal, rubber and plastic parts of your fuel system.

If you notice any undesirable operating symptoms, try another service station or switch to another brand of gasoline.

Fuel system damage or performance problems resulting from the use of an oxygenated fuel containing more than the percentages of oxygenates given above are not covered under warranty.

### ***Driving in Foreign Countries***

Using any type of leaded gasoline in your Honda will affect performance and damage its emission controls. Unleaded gasoline may not be available in other countries. If you are planning to take your car outside the U.S. or Canada, write to Honda at the address shown for information about any modifications your car may need. Be sure to include the year and model of your car.

### **U.S. Owners:**

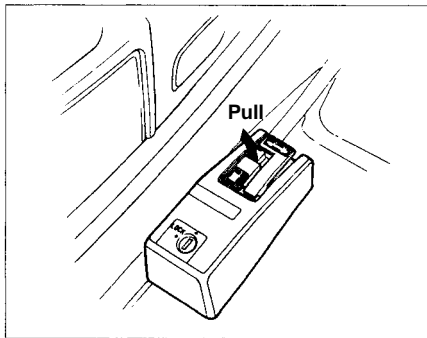
American Honda Motor Co., Inc.  
Consumer Affairs  
1919 Torrance Blvd.  
Torrance, CA 90501-2746

### **Canadian Owners:**

Honda Canada Inc.  
715 Milner Ave.  
Scarborough, Ontario M1B 2K8

# Service Station Procedures

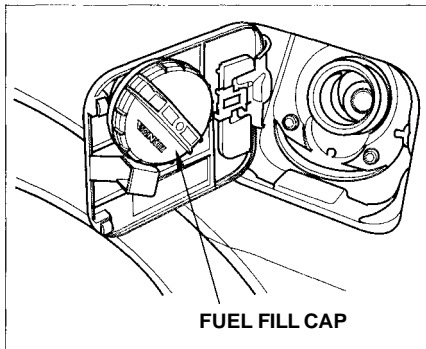
## Filling the Fuel Tank



1. The fuel fill is on the driver's side of the car. Park with that side closest to the service station pumps.
2. Open the fuel fill door by pulling on the handle to the left of the driver's seat.

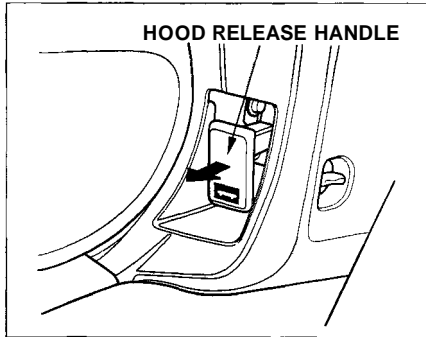
**Handling gasoline improperly can cause it to ignite or explode, causing you to be seriously or fatally injured.**

**Always put out cigarettes and other smoking materials, and keep all sparks and open flames away when you are around gasoline.**

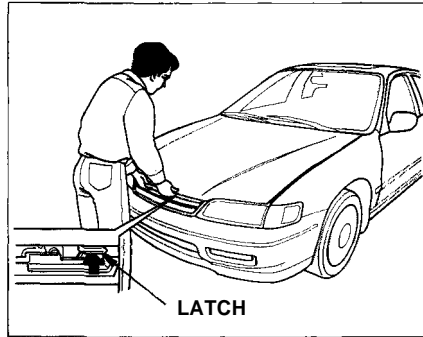


3. Remove the fuel fill cap slowly. You may hear a hissing sound as pressure inside the tank escapes. Place the fuel fill cap on the inside of the door as shown.
4. Stop filling the tank after the fuel pump automatically clicks off. Do not try to "top off" the tank, leave some room for the fuel to expand with temperature changes.
5. Screw the fuel fill cap back on, tighten it until it clicks.
6. Push the fuel fill door until it latches.

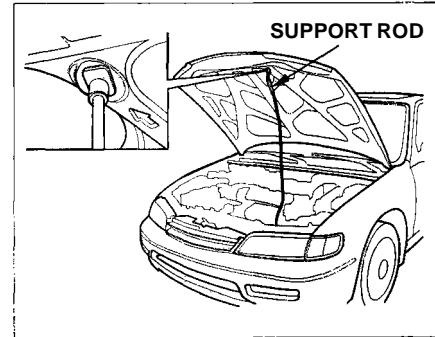
## Opening the Hood



1. Shift to Park or Neutral and set the parking brake. Pull the hood release handle, located under the left lower corner of the dashboard. The hood will pop up slightly.



2. Standing in front of the car, put your fingers under the front edge of the hood to the right of center. Slide your hand to the left until you feel the hood latch handle. Push this handle up until it releases the hood. Lift the hood.



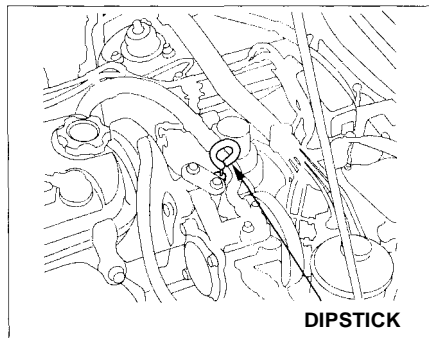
3. Pull the support rod out of its clip and insert the end into the hole on the front of the hood around the center.

To close the hood, lift it up slightly to remove the support rod from the hole. Put the support rod back into its holding clip. Lower the hood to about a foot above the fender, then let it drop.

*CONTINUED*

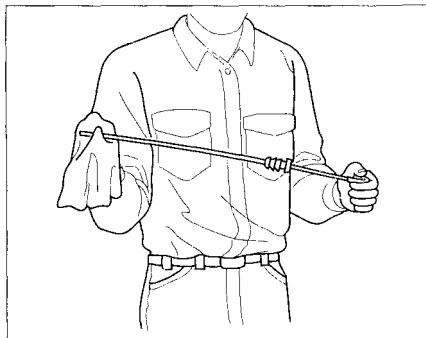
# Service Station Procedures

## Oil Check

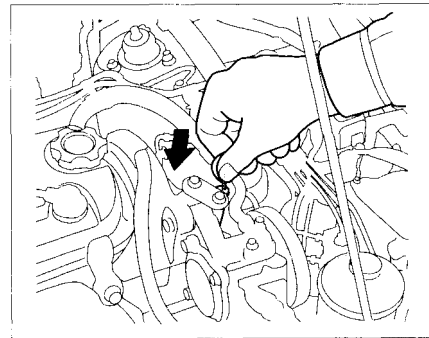


Check the engine oil level every time you fill the car with fuel. Wait at least two minutes after turning the engine off before you check the oil.

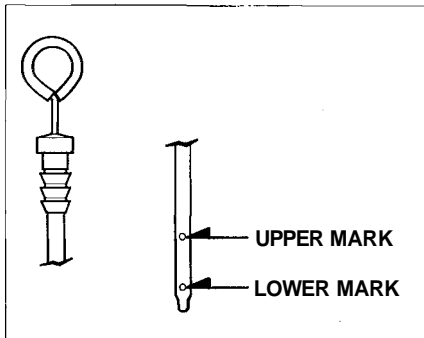
1. Remove the dipstick (orange handle).



2. Wipe the dipstick with a clean cloth or paper towel.



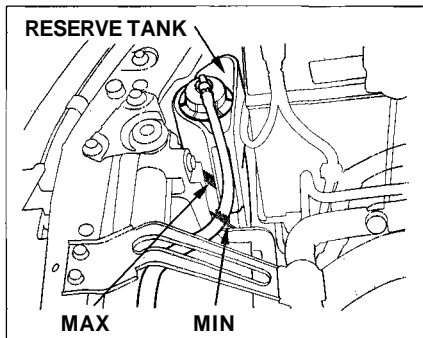
3. Insert it all the way back in its tube.



4. Remove it again and check the level. It should be between the upper and lower marks.

If it is near or below the lower mark, see page [139](#) for information on the proper oil and how to add it.

### Engine Coolant Check



Look at the coolant level in the radiator reserve tank. Make sure it is between the MAX and MIN lines. If it is below the MIN line, see **Adding Engine Coolant** on page [144](#) for information on adding the proper coolant.

Refer to **Periodic Checks** on page [137](#) for information on checking other items in your Honda.



## Fuel Economy

---

The condition of your car and your driving habits are the two most important things that affect the fuel mileage you get.

### Vehicle Condition

Always maintain your car according to the maintenance schedule. This will keep it in top operating condition.

An important part of that maintenance is the **Periodic Checks** (see page 137). For example an under-inflated tire causes more "rolling resistance," which uses fuel. It also wears out faster, so check the tire pressure at least monthly. In winter, the build-up of snow on your car's underside adds weight and rolling resistance. Frequent cleaning helps your fuel mileage and reduces the chance of corrosion.

### Driving Habits

You can improve fuel economy by driving moderately. Rapid acceleration, abrupt cornering, and hard braking use more fuel.

Always drive in the highest gear that allows the engine to run and accelerate smoothly.

Depending on traffic conditions, try to maintain a constant speed. Every time you slow down and speed up, your car uses extra fuel. Use the cruise control, when appropriate, to increase fuel economy.

A cold engine uses more fuel than a warm engine. It is not necessary to "warm-up" a cold engine by letting it idle for a long time. You can drive away in about a minute, no matter how cold it is outside. The engine will warm up faster, and you get better fuel economy. To cut down on the number of "cold starts," try to combine several short trips into one.

The air conditioning puts an extra load on the engine which makes it use more fuel. Turn off the A/C to cut down on air conditioning use. Use the flow-through ventilation when the outside air temperature is moderate.

Your Honda dealer has many Genuine Honda Accessories that allow you to personalize your car. These have all been approved for installation and use on your car, and are covered by warranty.

Some non-Honda accessories you can buy in the "aftermarket" are designed for universal applications. Although they may fit your Honda, they may not be within factory specifications. For example, aftermarket wheels may not meet Honda's specifications for width and offset. They could cause suspension problems which would not be covered by your warranty. Improperly-designed accessories can adversely affect your car's handling and stability.

Your car has several computer-controlled systems, including the SRS system, the engine's fuel injection, and the Anti-lock brake system. Strong electronic interference can affect their operation.

Electronic communications equipment, such as cellular telephones and two-way radios are regulated by the FCC (DOC in Canada) and should not interfere with your car's systems. Improper installation, or using electrical equipment not intended for mobile use may interfere with your car's operation. If you want to install a cellular telephone, other mobile communications equipment or even add-on stereo amplifiers, please discuss it first with your Honda dealer.

In many cases, improper installation is the real cause of problems with aftermarket accessories. Have these accessories installed by qualified technicians who are familiar with your Honda. If possible, have your Honda dealer inspect the final installation.

## Loading Cargo

---

The maximum load you can carry in your Honda is 395 kg (850 lbs). It includes the total weight of all passengers and their belongings, any accessories, and the tongue weight of a trailer. This 395 kg (850 lbs) figure is shown as the Vehicle Capacity Weight on the tire information label attached to the passenger's door jamb.

To figure out how much cargo you can carry:

- Figure the total "occupant weight" you will be transporting. To do this, multiply the number of people (driver and all passengers) by 70 kg (150 lbs).
- Subtract this number from the Vehicle Capacity Weight (395 kg/850 lbs).
- If you are towing a trailer, subtract the tongue weight. See [Towing a Trailer](#) on page [125](#).

This final number is the total weight of cargo you can load in or on the car. With five occupants (driver and four passengers), the maximum recommended weight for cargo is 45 kg (100 lbs).

Where you store this cargo, and how well you secure it, are just as important as how much it weighs. Make sure you load cargo so it will not shift while driving. When storing items in the trunk, place them as far forward as possible. You could store additional items on the floor behind the front seats. Make sure they cannot roll under the front seat and interfere with the pedals.

If you must carry large objects that prevent you from closing the trunk lid, be aware that exhaust gas can enter the interior. See **Carbon Monoxide Hazard** on page [27](#).

Never place items on the shelf behind the back seat. Those items can fly forward and injure you or your passengers if you brake hard or are involved in a collision.

This section gives you tips on starting the engine under various conditions, and how to operate the manual and automatic transmissions. It also includes important information on your car's braking system and facts you need if you are planning to tow a trailer.

Preparing to Drive.....	112
Starting the Engine.....	113
5-speed Manual Transmission.....	113
Automatic Transmission.....	113
Starting in Cold Weather at High Altitude .....	114
5-speed Manual Transmission.....	115
Recommended Shift Points.....	115
Maximum Speeds.....	116
Automatic Transmission.....	116
Shift Lever Positions.....	117
Maximum Speeds.....	120
Shift Lock Release.....	120
The Braking System.....	121
Brake Wear Indicators.....	121
Brake System Design.....	121
Anti-lock Brakes.....	122
Driving in Bad Weather.....	123
Towing a Trailer.....	125

## Preparing to Drive

---

You should do the following checks and adjustments every day before you drive your car.

1. Make sure all windows, mirrors, and outside lights are clean and unobstructed. Remove frost, snow, or ice.
2. Check that the hood and trunk are fully closed.
3. Check that any items you may be carrying with you inside are stored properly or fastened down securely.
4. Check the adjustment of the seat (see page 54).
5. Check the adjustment of the inside and outside mirrors (see page 60).
6. Check the adjustment of the steering wheel (see page 44).
7. Make sure the doors are securely closed and locked.
8. Fasten your seat belt. Check that your passengers have fastened their seat belts (see page 7).
9. Turn the ignition ON (II). Check the indicator lights in the instrument panel.
10. Start the engine (see page 113).
11. Check the gauges and indicator lights in the instrument panel (see page 33).

## 5-speed Manual Transmission

1. Apply the parking brake.
2. In cold weather, turn off all electrical accessories to reduce the drain on the battery.
3. Push the clutch pedal down all the way. START (III) does not function unless the clutch pedal is depressed.
4. Without touching the accelerator pedal, turn the ignition key to the START (III) position. If the engine does not start right away, do not hold the key in START (III) for more than 15 seconds at a time. Pause for at least 10 seconds before trying again.

5. If the engine does not start within 15 seconds, or starts but stalls right away, repeat step 4 with the accelerator pedal pressed half-way down. If the engine starts, release pressure on the accelerator pedal so the engine does not race.
6. If the engine still does not start, press the accelerator pedal all the way down and hold it there while starting in order to clear flooding. As before, keep the ignition key in the START (III) position for no more than 15 seconds. Return to step 5 if the engine does not start. If it starts, lift your foot off the accelerator pedal so the engine does not race.

## Automatic Transmission

1. Apply the parking brake.
2. In cold weather, turn off all electrical accessories to reduce the drain on the battery.
3. Make sure the shift lever is in Park. Press on the brake pedal.
4. Without touching the accelerator pedal, turn the ignition key to the START (III) position. If the engine does not start right away, do not hold the key in START (III) for more than 15 seconds at a time. Pause for at least 10 seconds before trying again.

*CONTINUED*

## Starting the Engine

---

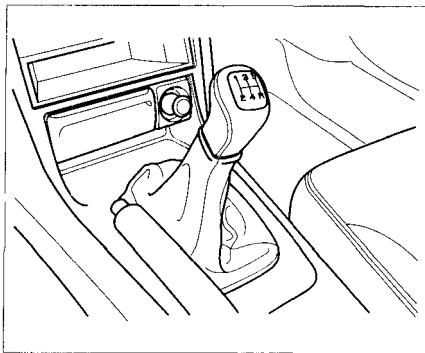
5. If the engine does not start within 15 seconds, or starts but stalls right away, repeat step 4 with the accelerator pedal pressed half-way down. If the engine starts, release pressure on the accelerator pedal so the engine does not race.
6. If the engine still does not start, press the accelerator pedal all the way down and hold it there while starting in order to clear flooding. As before, keep the ignition key in the START (III) position for no more than 15 seconds. Return to step 5 if the engine does not start. If it starts, lift your foot off the accelerator pedal so the engine does not race.

### **Starting in Cold Weather at High Altitude (Above 2,400 meters/ 8,000 feet)**

An engine is harder to start in cold weather. The thinner air found at high altitude above 2,400 meters (8,000 feet) adds to the problem. Use the following procedure:

1. Turn off all electrical accessories to reduce the drain on the battery.
2. Push the accelerator pedal half-way to the floor and hold it there while starting the engine. Do not hold the ignition key in START (III) for more than 15 seconds. When the engine starts, release the accelerator pedal gradually as the engine speeds up and smooths out.

3. If the engine fails to start in step 2, push the accelerator pedal to the floor and hold it there while you try to start the engine for no more than 15 seconds. If the engine does not start, return to step 2.



The manual transmission is synchronized in all forward gears for smooth operation. It has a lockout so you cannot shift directly from Fifth to Reverse. When shifting up or down, make sure you push the clutch pedal down all the way, shift to the next gear, and let the pedal up gradually. When you are not shifting, do not rest your foot on the clutch pedal. This can cause your clutch to wear out faster.

Come to a full stop before you shift into reverse. You can damage the transmission by trying to shift into reverse with the car moving.

You can get extra braking from the engine when slowing down by shifting to a lower gear. This extra braking can help you maintain a safe speed and prevent your brakes from overheating while going down a steep hill. Before downshifting, make sure engine speed will not go into the red zone in the lower gear. Refer to the Maximum Speeds chart.

**Rapid slowing or speeding-up can cause loss of control on slippery surfaces. If you crash, you can be injured.**

**Use extra care when driving on slippery surfaces.**

### Recommended Shift Points

Drive in the highest gear that lets the engine run and accelerate smoothly. This will give you the best fuel economy and effective emissions control. The following shift points are recommended:

Shift up	Normal acceleration
1st to 2nd	15 mph (24 km/h)
2nd to 3rd	28 mph (45 km/h)
3rd to 4th	41 mph (66 km/h)
4th to 5th	52 mph (84 km/h)

Shift up	Cruise acceleration
1st to 2nd	7 mph (11 km/h)
2nd to 3rd	22 mph (35 km/h)
3rd to 4th	33 mph (53 km/h)
4th to 5th	48 mph (77 km/h)



## 5-speed Manual Transmission, Automatic Transmission

### Maximum Speeds

The speeds in this table are the maximums for the given gears. If you exceed these speeds, the engine speed will enter into the tachometer's red zone. If this occurs, you may feel the engine cut in and out. This is caused by a limiter in the engine's computer controls. The engine will run normally when you reduce the RPM below the red zone.

(US: DX, LX, Canada: LX)

Gear	Maximum speeds
1st	33 mph (53 km/h)
2nd	60 mph (97 km/h)
3rd	92 mph (148 km/h)
4th	121 mph (194 km/h)
5th	Top speed

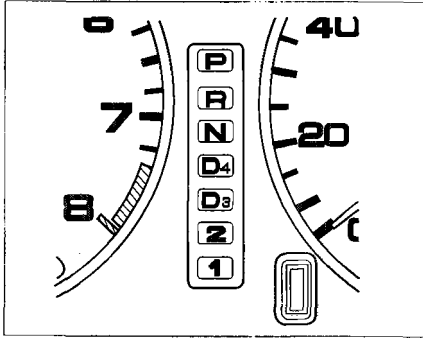
(US: EX, Canada: EX-R)

Gear	Maximum speeds
1st	32 mph (52 km/h)
2nd	59 mph (95 km/h)
3rd	91 mph (146 km/h)
4th	115 mph (185 km/h)
5th	Top speed

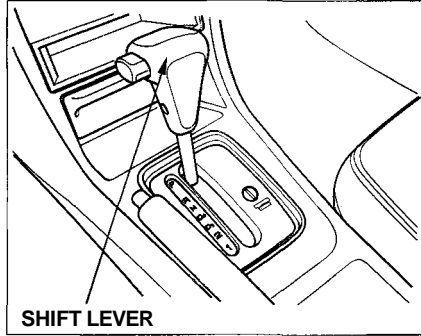
### Automatic Transmission

Your Honda's transmission has four forward speeds, and is electronically controlled for smoother shifting. It also has a "lock-up" torque converter for better fuel economy. You may feel what seems like another shift when the converter locks.

## Shift Lever Positions



This display is on the instrument panel between the speedometer and tachometer. It shows you the position of the shift lever. It also indicates a possible problem in the transmission if the "D4" indicator light flashes.



The shift lever has seven positions. It must be in Park or Neutral to start the engine. When you are stopped in D4, D3, 2, 1, N or R, press firmly on the brake pedal and keep your foot off the accelerator pedal.

To shift from:	Do this:
P to R	Press the brake pedal and press the release button.
R to P N to R D <sub>3</sub> to 2 2 to 1	Press the release button.
1 to 2 2 to D <sub>3</sub> D <sub>3</sub> to D <sub>4</sub> D <sub>4</sub> to N D <sub>4</sub> to D <sub>3</sub> N to D <sub>4</sub> R to N	Move the lever.

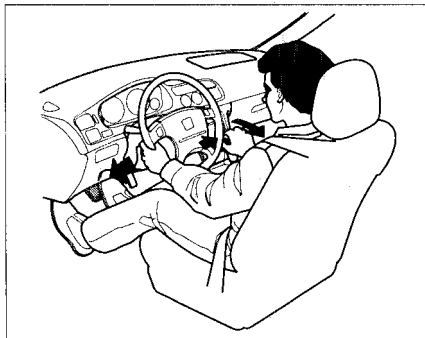
CONTINUED

## Automatic Transmission

**Park (P)** — This position mechanically locks the transmission. Use Park whenever you are turning off or starting the engine. To shift out of Park, you must press on the brake pedal and have your foot off the accelerator pedal. Press the release button on the side of the shift lever to move it.

You must also press the release button to shift into Park. To avoid transmission damage, come to a complete stop before shifting into Park. The shift lever must be in Park before you can remove the key from the ignition switch.

If you have done all of the above and still cannot move the lever out of Park, see Shift Lock Release on page [120](#).



**Reverse (R)** — To shift to Reverse from Park, see the explanation under Park. To shift to Reverse from Neutral, come to a complete stop and then shift. Press the release button before shifting into Reverse from Neutral.

**Neutral (N)** — Use Neutral if you need to restart a stalled engine, or if it is necessary to stop briefly with the engine idling. Shift to Park position if you need to leave the car for any reason. Press on the brake pedal when you are moving the shift lever from Neutral to another gear.

**Drive (D4)** — Use this position for your normal driving. The transmission automatically selects a suitable gear for your speed and acceleration. You may notice the transmission shifting up at higher speeds when the engine is cold. This helps the engine warm up faster.

**Drive (D3)** — This position is similar to D4, except only the first three gears are selected. Use D3 when towing a trailer in hilly terrain, or to provide engine braking when going down a steep hill. D3 can also keep the transmission from cycling between third and fourth gears in stop-and-go driving.

For faster acceleration when in D3 or D4, you can get the transmission to automatically downshift by pushing the accelerator pedal to the floor. The transmission will shift down one or two gears, depending on your speed.

**Second (2)** — To shift to Second, press the release button on the side of the shift lever. This position locks the transmission in second gear. It does not downshift to first gear when you come to a stop. Second gives you more power when climbing, and increased engine braking when going down steep hills. Use second gear when starting out on a slippery surface or in deep snow. It will help reduce wheelspin.

Whenever you move the shift lever to a lower gear, the transmission downshifts only if the engine's redline will not be exceeded in the lower gear.

**First (1)** — To shift from Second to First, press the release button on the side of the shift lever. With the lever in this position, the transmission locks in First gear. By upshifting and downshifting through 1, 2, D3 and D4, you can operate this transmission much like a manual transmission without a clutch pedal.

# Automatic Transmission

## Maximum Speeds

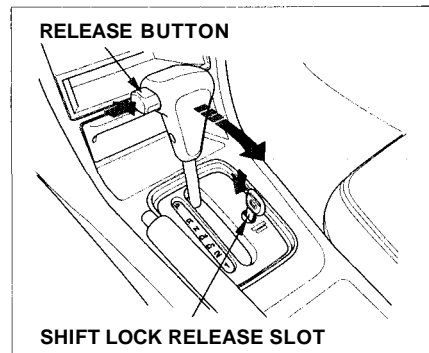
The speeds in this table are the maximums for the given position. If you exceed these speeds, the engine speed will enter into the tachometer's red zone. If this occurs, you will feel the engine cut in and out. This is caused by a limiter in the engine's computer controls. The engine will run normally when you reduce the RPM below the red zone.

Position	Maximum speeds
1	39 mph (62 km/h)
2	71 mph (114 km/h)
D3	103 mph (165 km/h)
D4	Top speed

## Shift Lock Release

This allows you to move the shift lever out of Park if the normal method of pushing on the brake pedal and pressing the release button does not work.

1. Set the Parking brake.
2. Remove the key from the ignition switch.
3. Insert the key in the Shift Lock Release slot next to the shift lever.
4. Push down on the key while you press the release button and move the shift lever out of Park to Neutral.



5. Remove the key from the Shift Lock Release slot. Depress the brake pedal and restart the engine.

If you need to use the Shift Lock Release, it could mean your car is developing a problem. Have the car checked by your Honda dealer.

Your Honda is equipped with front disc brakes. The brakes on the rear wheels may be disc or drum, depending on model. The braking system is power-assisted to reduce the effort needed on the brake pedal.

Put your foot on the brake pedal only when you intend to brake. Resting your foot on the pedal keeps the brakes applied lightly, causing them to build up heat. Heat build-up can reduce how well your brakes work. It also keeps your brake lights on all the time, confusing drivers behind you.

Constant application of the brakes when going down a long hill builds up heat and reduces their effectiveness. Use the engine to assist the brakes by downshifting to a lower gear and taking your foot off the accelerator pedal.

Check your brakes after driving through deep water. Apply the brakes moderately to see if they feel normal. If not, apply them gently and frequently until they do. Since a longer distance is needed to stop with wet brakes, be extra cautious and alert in your driving.

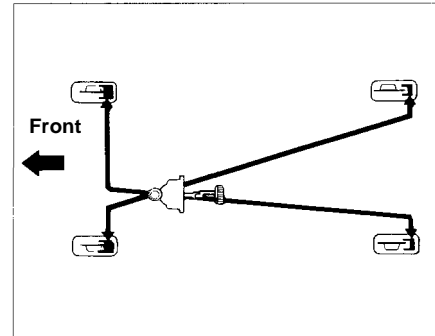
### Brake Wear Indicators

The front disc brakes on all cars have audible brake wear indicators. They are also on the rear brakes of cars equipped with ABS. When the brake pads need replacing, you will hear a distinctive metallic "screeching" sound when you apply the brakes. If you do not have the brake pads replaced, they will begin squeeching all the time.

Your brakes may sometimes squeal or squeak when you apply them lightly. Do not confuse this with the brake wear indicators. They make a very audible "screeching".

### Brake System Design

The hydraulic system that operates the brakes has two separate circuits. Each circuit works diagonally across the car (the left-front brake is connected with the right-rear brake, etc.). If one circuit should develop a problem, you will still have braking at two wheels.



*CONTINUED*

## The Braking System

If this happens, you will immediately notice that the brake pedal goes down much farther and you need to press on it much harder. A much longer distance will be needed to stop the car.

Slow the car by downshifting to a lower gear and removing your foot from the accelerator pedal. Pull to the side of the road as soon as it is safe. Because of the longer stopping distance needed, brake system failure is very hazardous. It is best to have your car towed, but if you must drive the car in this condition, be extremely cautious. Have your car repaired as soon as possible.

### Anti-lock Brakes

The U.S. EX and Canadian EX-R models have an Anti-lock Brake System (ABS) as standard equipment. It is optional on the U.S. DX and LX models and on the Canadian LX model.

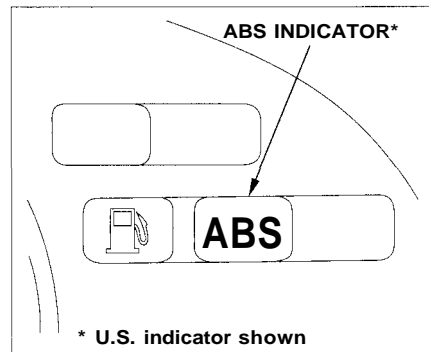
ABS helps you maintain steering

control. It does this by helping you to prevent the wheels from locking up and skidding.

The ABS is always "On". It requires no special effort or driving technique. You will feel a pulsation in the brake pedal when the ABS activates.

Activation varies with the amount of traction your tires have. On dry pavement, you will need to press on the brake pedal very hard before you feel the pedal pulsation that means the ABS has activated. However, you may feel the ABS activate immediately if you are trying to stop on snow or ice. Under all conditions, the ABS is helping to prevent the wheels from locking so you can retain steering control. You should continue to press on the brake pedal with the same force.

You may feel a slight movement of the brake pedal just after you start the engine. This is the ABS working.



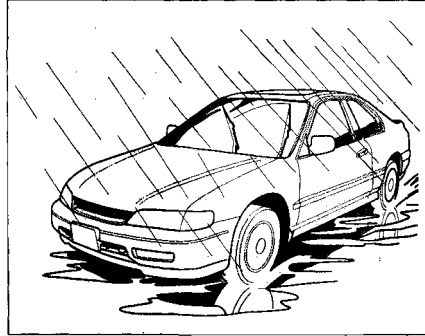
The ABS is self-checking. If anything goes wrong, the ABS indicator on the instrument panel comes on (see page 35 ). This means the Anti-lock function of the braking system has shut down. The brakes still work like a conventional system, providing normal stopping ability. You should have the dealer inspect your car as soon as possible.

The ABS works by comparing the speed of the wheels. When replacing tires, use the same size originally supplied with the car. Tire size and construction can affect wheel speed and may cause the system to work inconsistently.

A car with ABS may require a longer distance to stop on loose or uneven surfaces than an equivalent car without Anti-lock. The ABS cannot make up for road conditions or bad judgment. It is still your responsibility to drive at reasonable speeds for weather and traffic conditions, and to leave a margin of safety.

For a technical description of the ABS hardware, refer to page [216](#).

## Driving in Bad Weather



Rain, fog, and snow conditions require a different driving technique because of reduced traction and visibility. Keep your car well-maintained and exercise greater caution when you need to drive in bad weather. The cruise control should not be used in these conditions.

**Driving Technique** — Always drive slower than you would in dry weather. It takes your car longer to react, even in conditions that may seem just barely damp. Apply smooth, even pressure to all the controls. Abrupt steering wheel movements or sudden, hard application of the brakes can cause loss of control in wet weather. Be extra cautious for the first few miles of driving while you adjust to the change in driving conditions. This is especially true in snow. A person can forget some snow-driving techniques during the summer months. Practice is needed to relearn those skills.

Exercise extra caution when driving in rain after a long dry spell. After months of dry weather, the first rains bring oil to the surface of the roadway, making it slippery.

*CONTINUED*



## Driving in Bad Weather

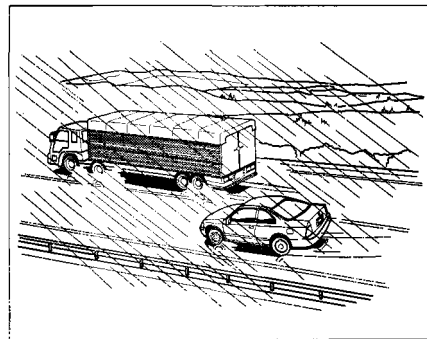
**Visibility** — Being able to see clearly in all directions and being visible to other drivers are important in all weather conditions. This is more difficult in bad weather. To be seen more clearly during daylight hours, turn on your headlights.

Inspect your windshield wipers and washers frequently. Keep the windshield washer reservoir full of the proper fluid. Have the windshield wiper blades replaced if they start to streak the windshield or leave parts unwiped. Use the demister and air conditioning to keep the windows from fogging up on the inside (see page 76).

**Traction** — Check your tires frequently for wear and proper pressure. Both are important in preventing "hydroplaning" (loss of traction on a wet surface). In the winter, mount snow tires on all four wheels for the best handling.

Watch road conditions carefully, they can change from moment to moment. Wet leaves can be as slippery as ice. "Clear" roads can have patches of ice. Driving conditions can be very hazardous when the outside temperature is near freezing. The road surface can become covered with areas of water puddles mixed with areas of ice, so your traction can change without warning.

Be careful when downshifting. If traction is low, you can lock up the drive wheels for a moment and cause a skid.



Be very cautious when passing, or being passed by other vehicles. The spray from large vehicles reduces your visibility, and the wind buffeting can cause you to lose control.

Your Honda is designed primarily to carry passengers and their cargo. You can use it to tow a trailer if you carefully observe some general rules.

- The total weight of the trailer and everything loaded in it must not exceed 450 kg (1,000 lbs).
- The "tongue load" should never exceed 45 kg (100 lbs). This is the amount of weight the trailer puts on the hitch when it is fully-loaded. As a rule of thumb, the tongue load should be 10% of the total trailer package.  
For example, if the trailer and its load weigh 225 kg (500 lbs), the tongue load should be 22.5 kg (50 lbs). Adjust the the trailer's cargo to change the tongue load. Start by putting approximately 60% of the cargo toward the front and 40% toward the rear. Never load the trailer so the back is heavier than the front. This takes weight off your car's rear axle and reduces traction.

- The combined weight of the car, all passengers and their luggage, and tongue load must not exceed the Gross Vehicle Weight Rating. The GVWR is printed on the Certification label attached to the driver's door jamb (see page [212](#) ).
- The combined weight of the car, all passengers and their luggage, and tongue load also must not exceed the Gross Axle Weight Rating. The GAWR is also shown on the Certification label. It tells you the maximum load for the front and rear axles. It is possible that your towing package does not exceed the GVWR but does exceed the GAWR. Improper trailer loading, and/or too much luggage in the trunk can overload the rear axle. Redistribute the load and check the axle weights again.

*CONTINUED*

## Towing a Trailer

---

**Improperly loading your car and trailer can seriously affect its steering and braking performance, causing a crash in which you can be seriously injured.**

**Check the loading of your car and trailer carefully before starting to drive.**

The best way to confirm that your total towing package is within these specifications is to get it weighed. Load the car and trailer as you normally would while towing, and take them to a public scale. Have them check the total weight and the weight at each axle, then compare them to the specifications.

### **Trailer Hitches**

Your Honda dealer, or the Honda Customer Relations Zone Office, can give you advice on the proper hitch for your car. Never use a hitch that mounts only to the rear bumper. The bumper is not designed to handle that type of load. The hitch should bolt to the underbody of the car and distribute the load over a wide area. Always have a trailer hitch installed by a qualified technician.

#### **NOTICE**

A trailer hitch that is not adequate for the size of the trailer, or a hitch that is improperly installed, can cause damage to the underside of your car.

### **Mirrors**

Many states and provinces have laws requiring special outside mirrors when you are towing a trailer. Check the laws in your area. You may want to install mirrors, even if they are not required. Hook up the trailer and see how much it obscures your ability to see behind you with the standard mirrors. If you cannot see directly behind you, or have a large blind spot next to the trailer or the car, you should install mirrors intended for towing.

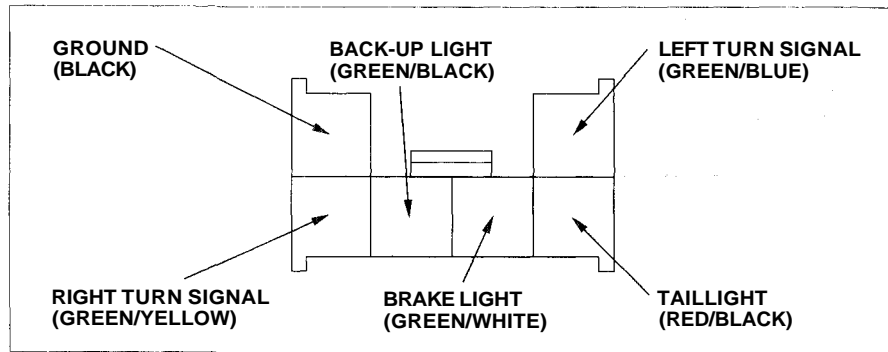
### **Connecting the Trailer**

Most trailers that have a gross weight of 450 kg (1,000 lbs) do not have their own braking system. If you are thinking of getting a trailer that does have brakes, make sure they are electrically-operated. There are no provisions in your car to tap into its hydraulic braking system. Any attempt to attach the trailer's brakes to your car's hydraulic system, no matter how successful it may seem, will lower braking effectiveness and create a potential hazard.

Always use a safety chain when towing a trailer. Connect the safety chain securely at both ends. Make sure the chain crosses under the tongue so it will catch the trailer if it becomes unhitched. Leave enough slack in the chain so it can't bind in a sharp turn. Do not let it drag on the ground.

*CONTINUED*

## Towing a Trailer



Your car has a trailer lighting connector in the trunk. To use the connector, remove the left cover by unscrewing the knob. Refer to the drawing above for the wiring color code and purpose of each connector pin.

Since the lighting and wiring can be different for various brands of trailers, have a technician who is familiar with your trailer modify its lighting plug. A converter may be required between the car and trailer for the lights to work correctly.

### Before Starting Out

As you are preparing to tow your trailer, do the following:

- Measure the trailer's tongue load. You can do this with a bathroom scale.
- Verify that the hitch and safety chain are securely fastened.
- Check the condition and air pressure of all tires on the trailer and your car. Low tire pressure can seriously affect the handling. Also check the spare tire.
- With everything loaded and the trailer connected, check that the rear of the car is not sagging. If so, redistribute the load in the car.
- Check that all lights on the car and trailer are working properly.

### Towing Safety

Your car will not stop as quickly with a trailer in tow. Leave extra distance between your car and other vehicles. Avoid braking or turning suddenly. This could cause the trailer to jackknife or possibly turn over.

Keep in mind that your total vehicle is now much longer. Leave more room when making turns. The trailer tracks a smaller arc than the car and can hit or run over something that the car misses. When passing another vehicle, make sure the trailer is clear before changing lanes.

The car/trailer combination is more affected by crosswinds and buffeting. When being passed by a large vehicle, keep a constant speed and steer straight ahead. If there is too much wind buffeting, slow down to get out of the other vehicle's air turbulence.

Towing a trailer puts an extra load on your car. You should have your car serviced according to the "Maintenance schedule under severe driving conditions" on page [134](#).

This extra load is magnified when you are driving in hilly terrain. Watch the temperature gauge closely when climbing hills. If it gets near the hot area, turn off the air conditioning (if it is on). If this does not reduce the heat, it may be necessary to pull to the side of the road and wait for the engine to cool. If the automatic transmission shifts frequently between 3rd and 4th gears, put it in D3. This will help prevent the transmission from overheating. Help keep the brakes from overheating by shifting to a lower gear when going downhill.

*CONTINUED*

## Towing a Trailer

---

If you have to stop while going uphill, do not hold the car in place by pressing on the accelerator. This can cause the automatic transmission to overheat. Use the parking brake or footbrake.

When parking your car and trailer, especially on a hill, be sure to follow all the normal precautions. Turn your front wheels into the curb, set the parking brake firmly, and put the transmission in 1st or Reverse (manual) or Park (automatic). In addition, place wheel chocks at each of the trailer's tires.

Backing up with a trailer is difficult and takes practice. Drive slowly, make small movements with the steering wheel, and have someone stand outside to guide you. Grip the steering wheel on the bottom (rather than the usual position near the top). Move your hand to the left to get the trailer to move to the left, and right to move the trailer right.

Regularly maintaining your Honda is the best way to protect your investment. You will be rewarded with safer, more economical, trouble-free driving. This section lists items that need to be checked regularly and explains how to check them. It also details some simple maintenance tasks you can do yourself. The maintenance schedules for normal and severe driving conditions show you when these things need to be done.

If you are interested in how to perform more complex maintenance on your Honda, you can purchase the Service Manual. See page 231 for information on how to obtain a copy, or see your Honda dealer.

Maintenance Schedule.....	132	Air Cleaner.....	152
Maintenance Record.....	135	Fuel Filter.....	154
Periodic Checks.....	137	Spark Plugs.....	154
Fluid Locations.....	138	Replacement.....	154
Engine Oil.....	139	Specification.....	156
Checking Engine Oil.....	139	Battery.....	156
Adding.....	139	Windshield Wipers.....	159
Recommended Oil.....	140	Air Conditioning.....	161
Additives.....	141	Engine Belts.....	162
Oil and Filter Changes.....	141	Tires.....	162
Cooling System.....	143	Inflation.....	163
Checking the Engine Coolant		Inspection.....	164
Level.....	143	Maintenance.....	164
Adding Engine Coolant.....	144	Tire Rotation.....	165
Replacing Engine Coolant.....	145	Replacing Tires and Wheels ...	165
Windshield Washers.....	147	Wheels and Tires.....	166
Transmission Oil.....	148	Winter Driving.....	166
Automatic		Snow Tires.....	167
Transmission.....	148	Tire Chains.....	167
5-speed Manual		Lights.....	168
Transmission.....	149	Replacing Bulbs.....	168
Brake and Clutch Fluid.....	149	Storing Your Car.....	177
Brake System.....	150		
Anti-lock Brake System.....	150		
Clutch System.....	151		
Power Steering.....	151		



## Maintenance Schedule

---

The Required Maintenance Schedule specifies how often you should have your car serviced, and what things need attention. It is essential that your car be serviced as scheduled to retain its high level of safety, dependability, and emission control performance.

The services and time or distance intervals shown in the maintenance schedule assume you will use your car as normal transportation for passengers and their possessions. You should:

- Avoid exceeding your car's load limit. This puts excess strain on the engine, brakes, and many other parts of your car. The load limit is shown on the label on the driver's door jamb.
- Operate your car on reasonable roads within the legal speed limit.

- Drive your car regularly over a distance of several kilometers (miles).
- Always use unleaded gasoline with a pump octane number of 86 or higher.

Your authorized Honda dealer knows your car best, and can provide competent, efficient service. However, service at a dealer is not mandatory to keep your warranties in effect. Maintenance may be done by any qualified service facility or person who is skilled in this type of automotive service. Keep all the receipts as proof of completion, and have the person who does the work fill out the maintenance record on page 135 . Check your warranty booklet for more information.

We recommend the use of Genuine Honda parts and fluids or their equivalent whenever you have maintenance done. These are the same high-quality items that went into your car when it was new, so you can be sure they fit and perform flawlessly.

U.S. Cars:

**Maintenance, replacement or repair of emission control devices and systems may be done by any automotive repair establishment or individual using parts that are "certified" to EPA standards.**

Vehicles sold in California have slightly different maintenance requirements. These are noted in the Required Maintenance Schedule. Other maintenance operations are required by California regulations, and condition the emission warranty.

# Maintenance Schedule

R — Replace I — Inspect After inspection, clean, adjust, repair or replace if necessary.

Service at the interval listed x 1,000 km (or miles) or after that number of months, whichever comes first.	x 1,000 km	12	24	36	48	60	72	84	96	108	120	132	144	156	168
	x 1,000 miles	7.5	15	22.5	30	37.5	45	52.5	60	67.5	75	82.5	90	97.5	105
	months	6	12	18	24	30	36	42	48	54	60	66	72	78	84
<b>Engine and Transmission</b>															
<input type="checkbox"/> Air cleaner element					R				R				R		
Idle speed									I*						
Positive crankcase ventilation valve									I						
Valve clearance		I			I		I		I		I		I		I
Fuel filter									R**						
Fuel pipes, hoses, and connections					I*				I*				I*		
Spark plugs					R				R				R		
Distributor ignition cap and rotor									I*						
Ignition wires									I						
● Engine oil and oil filter	R	R	R	R	R	R	R	R	R	R	R	R	R	R	R
Alternator drive belt					I				I				I		
Cooling system hoses and connections					I*				I*				I*		
● Engine coolant							R				R				R**
Timing belt and timing balancer belt													R**		
Water pump													I		
Three way catalytic converter heat shield									I						
Exhaust pipe (before catalytic converter)					I*				I*				I*		
Exhaust pipe and muffler (after catalytic converter)		I			I		I		I		I		I		I
<input type="checkbox"/> Transmission oil					R				R				R		

● : Check oil and coolant level at each fuel stop.

: Under severe driving conditions, service these items more often.

\* 1 : For cars sold in California, this service is recommended only; other areas, it is required.

\* 2 : Thereafter, replace every 2 years or 48,000 km (30,000 miles), whichever comes first.

\* 3 : This service is recommended only.

\* 4 : For cars with Anti-lock brake system

CONTINUED

# Maintenance Schedule

R — Replace I — Inspect After inspection, clean, adjust, repair or replace if necessary.

Service at the interval listed x 1,000 km (or miles) or after that number of months, whichever comes first.	x 1,000 km	12	24	36	48	60	72	84	96	108	120	132	144	156	168	
	x 1,000 miles	7.5	15	22.5	30	37.5	45	52.5	60	67.5	75	82.5	90	97.5	105	
	months	6	12	18	24	30	36	42	48	54	60	66	72	78	84	
<b>Brakes</b>																
Front brake pads		I	I	I	I	I	I	I	I	I	I	I	I	I	I	I
<input type="checkbox"/> Front brake discs and calipers			I		I		I		I		I		I		I	
<input type="checkbox"/> Rear brake discs, calipers and pads**			I		I		I		I		I		I		I	
Rear brake drums, wheel cylinders and linings					I				I				I			
Brake hoses and lines			I		I			I		I		I		I		I
Parking brake			I		I				I				I			
Brake fluid (including Anti-lock brake system**)						R				R				R		
Anti-lock brake system operation**					I				I					I		
<b>Steering, Suspension and Miscellaneous</b>																
Front wheel alignment			I		I		I		I		I		I		I	
Steering operation, tie rod ends, steering gear box and boots			I		I				I				I			
<input type="checkbox"/> Power steering system			I		I		I		I		I		I		I	
Power steering pump belt					I				I				I			
Suspension mounting bolts			I		I		I		I		I		I		I	
Supplemental restraint system		Inspect system 10 years after production (see page 15).														

## Severe Driving Conditions

Items marked  or  in the chart indicate you will need some services more frequently in certain severe driving conditions.

The conditions are:

- Driving less than 8 km (5 miles) per trip, or, in freezing temperatures, driving less than 16 km (10 miles) per trip.
- Driving on rough or muddy roads, or de-iced roads.
- Driving in extremely dusty conditions.
- Extensive idling or driving long periods at slow speeds, such as a delivery vehicle.
- Towing a trailer.

## Service for Severe Driving Conditions

- Clean the air cleaner element every 24,000 km (15,000 miles) or 12 months and replace every 48,000 km (30,000 miles) or 24 months under condition B or C.
- Replace engine oil and oil filter every 6,000 km (3,750 miles) or 3 months under condition A, B, C, D or E.
- Replace transmission oil every 24,000 km (15,000 miles) or 12 months under condition D or E.
- Inspect front brake discs and calipers, and rear brake discs, calipers and pads every 12,000 km (7,500 miles) or 6 months under condition B, C, D or E.
- Inspect the power steering system every 12,000 km (7,500 miles) or 6 months under condition A, B or C.

# Required Maintenance Record

Have your servicing dealer record all Required Maintenance below. Keep receipts for all work done on your car.

<b>12,000 km</b> 7,500 Mi. (or 6 Mo.)	(Sign or Stamp)	Km (Mi.)
		Date
<b>24,000 km</b> 15,000 Mi. (or 12 Mo.)	(Sign or Stamp)	Km (Mi.)
		Date
<b>36,000 km</b> 22,500 Mi. (or 18 Mo.)	(Sign or Stamp)	Km (Mi.)
		Date
<b>48,000 km</b> 30,000 Mi. (or 24 Mo.)	(Sign or Stamp)	Km (Mi.)
		Date
<b>60,000 km</b> 37,500 Mi. (or 30 Mo.)	(Sign or Stamp)	Km (Mi.)
		Date
<b>72,000 km</b> 45,000 Mi. (or 36 Mo.)	(Sign or Stamp)	Km (Mi.)
		Date
<b>84,000 km</b> 52,500 Mi. (or 42 Mo.)	(Sign or Stamp)	Km (Mi.)
		Date

<b>96,000 km</b> 60,000 Mi. (or 48 Mo.)	(Sign or Stamp)	Km (Mi.)
		Date
<b>108,000 km</b> 67,500 Mi. (or 54 Mo.)	(Sign or Stamp)	Km (Mi.)
		Date
<b>120,000 km</b> 75,000 Mi. (or 60 Mo.)	(Sign or Stamp)	Km (Mi.)
		Date
<b>132,000 km</b> 82,500 Mi. (or 66 Mo.)	(Sign or Stamp)	Km (Mi.)
		Date
<b>144,000 km</b> 90,000 Mi. (or 72 Mo.)	(Sign or Stamp)	Km (Mi.)
		Date
<b>156,000 km</b> 97,500 Mi. (or 78 Mo.)	(Sign or Stamp)	Km (Mi.)
		Date
<b>168,000 km</b> 105,000 Mi. (or 84 Mo.)	(Sign or Stamp)	Km (Mi.)
		Date

# Non-Scheduled Maintenance Record

Record additional maintenance for severe driving conditions or non-scheduled maintenance on this page (see page 134).

<b>Maintenance Performed:</b>	(Sign or Stamp)	Km (Mi.)
		Date
<b>Maintenance Performed:</b>	(Sign or Stamp)	Km (Mi.)
		Date
<b>Maintenance Performed:</b>	(Sign or Stamp)	Km (Mi.)
		Date
<b>Maintenance Performed:</b>	(Sign or Stamp)	Km (Mi.)
		Date
<b>Maintenance Performed:</b>	(Sign or Stamp)	Km (Mi.)
		Date
<b>Maintenance Performed:</b>	(Sign or Stamp)	Km (Mi.)
		Date
<b>Maintenance Performed:</b>	(Sign or Stamp)	Km (Mi.)
		Date

<b>Maintenance Performed:</b>	(Sign or Stamp)	Km (Mi.)
		Date
<b>Maintenance Performed:</b>	(Sign or Stamp)	Km (Mi.)
		Date
<b>Maintenance Performed:</b>	(Sign or Stamp)	Km (Mi.)
		Date
<b>Maintenance Performed:</b>	(Sign or Stamp)	Km (Mi.)
		Date
<b>Maintenance Performed:</b>	(Sign or Stamp)	Km (Mi.)
		Date
<b>Maintenance Performed:</b>	(Sign or Stamp)	Km (Mi.)
		Date
<b>Maintenance Performed:</b>	(Sign or Stamp)	Km (Mi.)
		Date

You should check the following items at the specified intervals. If you are unsure of how to perform any check, turn to the page given.

- Engine oil level — Check every time you fill the fuel tank. See page [106](#).
- Engine coolant level — Check the radiator reserve tank every time you fill the fuel tank. See page [107](#).
- Windshield washer fluid — Check the level in the reservoir monthly. If weather conditions cause you to use the washers frequently, check the reservoir each time you stop for fuel. See page [147](#).
- Automatic transmission — Check the fluid level monthly. See page [148](#).
- Brakes, clutch and power steering — Check the fluid level monthly. See page [150](#).
- Tires — Check the tire pressure monthly. Examine the tread for wear and foreign objects. See page [162](#).
- Battery — Check its condition and the terminals for corrosion monthly. See page [157](#).
- Air conditioning — Check its operation weekly. See page [161](#).
- Lights — Check the operation of the headlights, parking lights, taillights, high-mount brake light, turn signals, brake lights, and license plate lights monthly. See page [168](#).

# Fluid Locations

**BRAKE FLUID**  
(Gray cap)

**(5-M/T only)**  
**CLUTCH FLUID**  
(Gray cap)

**ENGINE OIL**  
**FILL CAP**

**ENGINE OIL DIPSTICK**  
(Orange loop)

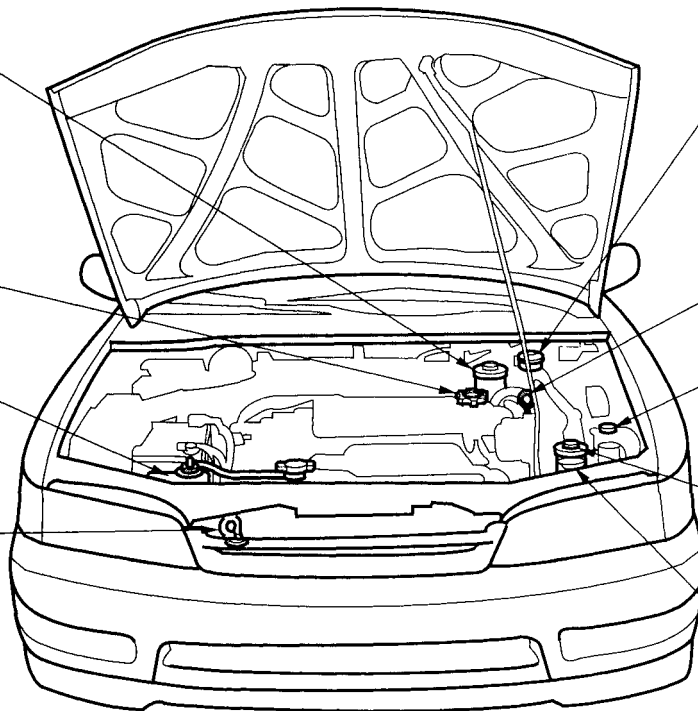
**COOLANT**  
**RESERVOIR**

**ANTI-LOCK BRAKE**  
**RESERVOIR**  
(Gray cap)

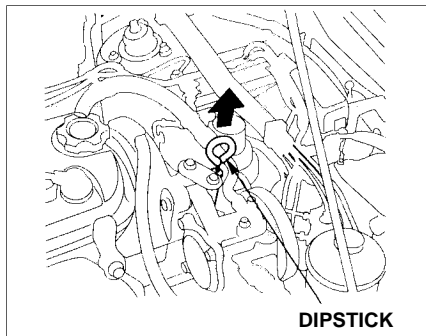
**AUTOMATIC**  
**TRANSMISSION**  
**FLUID DIPSTICK**  
(Yellow loop)

**POWER STEERING**  
**FLUID** (Red cap)

**WASHER FLUID**  
(Blue cap)

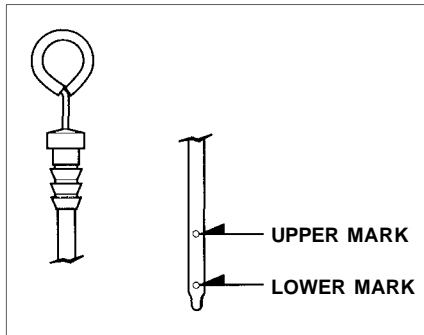


## Checking Engine Oil



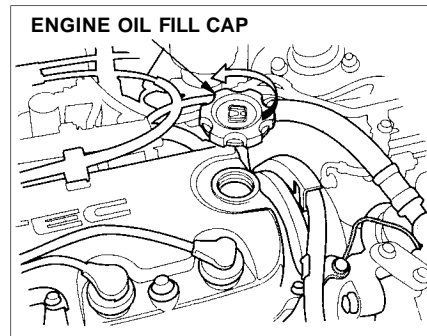
Check the engine oil a couple of minutes after shutting off the engine. This will allow the oil to drain down to the bottom of the engine. Make sure the car is parked on level ground.

1. Pull out the dipstick (orange loop) and wipe it with a cloth or paper towel.
2. Insert it all the way back in its tube.



3. Pull it out again and look at the oil level at the end of the dipstick. If it is between the upper and lower marks, the level is correct. Add oil if the level is at or below the lower mark.

## Adding



To add oil, unscrew and remove the engine oil fill cap on top of the valve cover. Pour in the oil, and replace the engine oil fill cap. Tighten it securely. Wait a few minutes and recheck the oil level. Do not fill above the upper mark; you could damage the engine.



# Engine Oil

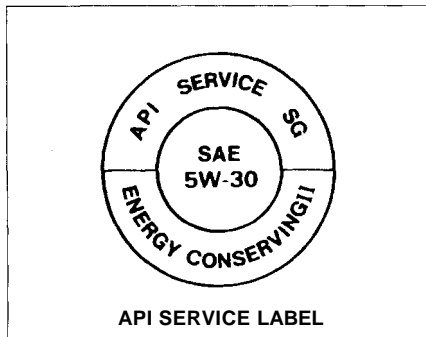
## Recommended Oil

Oil is a major contributor to your engine's performance and longevity. Always use a premium-grade detergent oil.

You can determine an oil's SAE viscosity and Service Classification from the API Service label on the oil container.

A fuel-efficient oil is recommended for your Honda. This is shown on the API Service label by the words "Energy Conserving II." This oil is formulated to help your engine use less fuel.

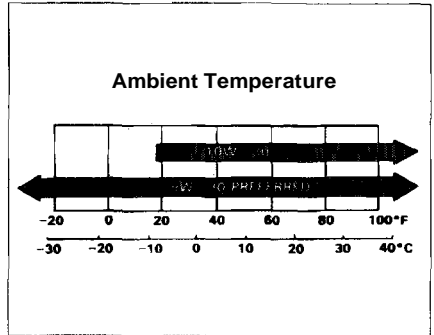
The API Service label also tells you the service classification of the oil. Always use an oil that says "API Service SG or SH." This service rating may also include other designations, such as CD. These additional classifications are not a problem, as long as the label also carries the SG or SH classification. An oil that is only classified SF is not recommended.



The oil container may also display the API Certification mark shown below. Make sure it says "For Gasoline Engines."



The SAE numbers tell you the oil's viscosity or weight. Select the oil for your car according to this chart.



An oil with a viscosity of 5W-30 is preferred for improved fuel economy and year-round protection in your Honda. You may use a 10W-30 oil if the temperature in your area never goes below 20°F ( — 7°C).

### Additives

Your Honda does not need any oil additives. Purchasing additives for the engine or transmission will not increase your car's performance or longevity. It only increases the cost of operating your car.

### Oil and Filter Changes

Always change the oil and filter according to the time and distance recommendations in the maintenance schedule. The oil and filter collect contaminants that can damage your engine if they are not removed regularly.

Changing the oil and filter requires special tools and access from underneath the car. The car should be raised on a service station-type hydraulic lift for this service. Unless you have the knowledge and proper equipment, you should have this maintenance done by a skilled mechanic.

**Repeated, prolonged exposure to used motor oil may cause skin cancer.**

**Wash your hands thoroughly with strong soap as soon as possible after handling used oil.**

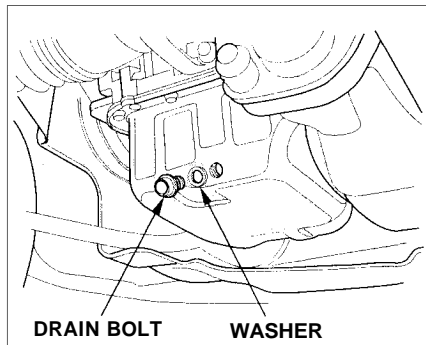
1. Run the engine until it reaches normal operating temperature, then shut it off.

**The oil, engine components and the exhaust system are hot and can burn you.**

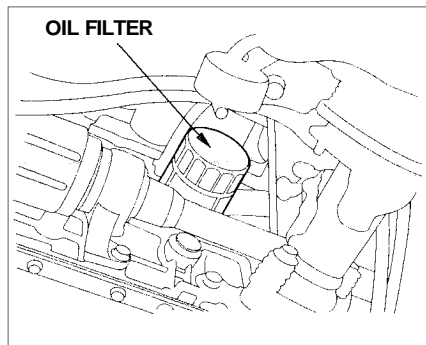
**Use caution and wear protective clothing while working in the engine compartment.**

*CONTINUED*

## Engine Oil



2. Open the hood and remove the engine oil fill cap. Remove the oil drain bolt from the bottom of the engine. Drain the oil into an appropriate container.



3. Remove the oil filter and let the remaining oil drain. A special wrench (available from your Honda dealer) is required to remove the filter.

4. Install a new oil filter according to instructions that come with it.

5. Put a new washer on the drain bolt, then reinstall the drain bolt. Tighten it to:  
**44 N.m (4.4 kg-m , 32 lb-ft)**

6. Refill the engine with the recommended oil.

Engine oil change capacity (including filter):

(US: DX, LX, Canada: LX)

3.8 ℓ (4.0 US qt, 3.3 Imp qt)

(US: EX, Canada: EX-R)

4.3 ℓ (4.5 US qt, 3.8 Imp qt)

7. Replace the engine oil fill cap. Start the engine. The oil pressure indicator light should go out within five seconds. If it does not, turn off the engine and reinspect your work.

8. Let the engine run for several minutes and check the drain bolt and oil filter for leaks.

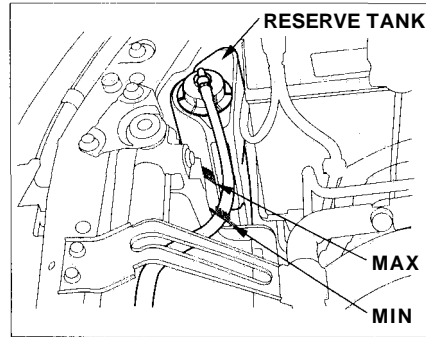
9. Turn off the engine, let it sit for several minutes, then check the oil level. If necessary, add oil to bring the level to the upper mark on the dipstick.

### NOTICE

If you change your own oil, please dispose of the used oil properly. Put it in a sealed container and take it to a recycling center. Do not discard it in a trash bin or dump it on the ground.

The oil and filter should be changed every 6 months or 12,000 km (7,500 miles), whichever comes first. Under severe driving conditions, they should be changed every 3 months or 6,000 km (3,750 miles). See page [134](#) for a description of severe driving conditions.

### Checking the Engine Coolant Level



Check the level of the engine coolant by looking at the radiator reserve tank next to the battery. If the level is at or below the MIN line, add coolant to bring it up to the MAX line. This coolant should always be a mixture of 50% antifreeze and 50% water. Never add straight antifreeze or plain water.

Always use Genuine Honda Antifreeze/Coolant. The cooling system contains many aluminum components which can corrode if an improper antifreeze is used. Some antifreeze, even though labeled as safe for aluminum parts, may not provide adequate protection.

# Cooling System

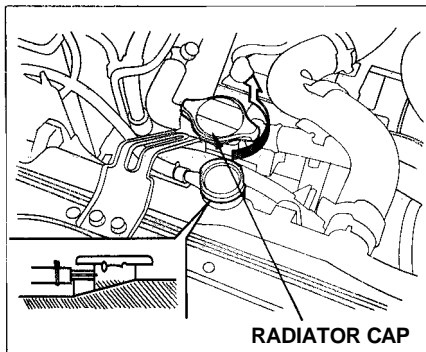
## Adding Engine Coolant

If the reserve tank is completely empty, you should also check the coolant level in the radiator.

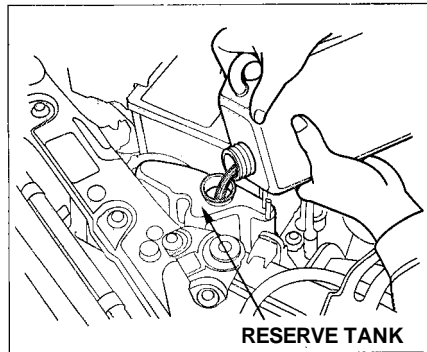
**Removing the radiator cap while the engine is hot can cause the coolant to spray out, seriously scalding you.**

**Always let the engine and radiator cool down before removing the radiator cap.**

1. Make sure the engine and radiator are cool.



2. Turn the radiator cap counter-clockwise, without pressing down on it, until it stops. This relieves any pressure remaining in the cooling system.
3. Remove the radiator cap by pushing down and turning counterclockwise.



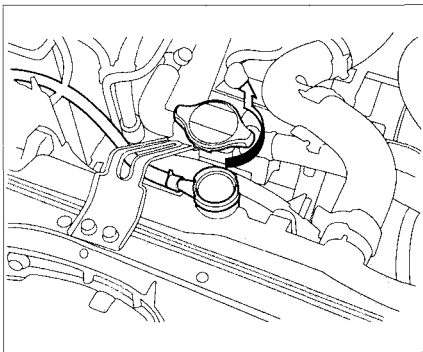
4. The coolant level should be up to the base of the filler neck. Add coolant if it is low.
5. Put the radiator cap back on. Tighten it fully.
6. Pour coolant into the reserve tank. Fill it to halfway between the MAX and MIN marks. Put the cap back on the reserve tank.

Do not add any rust inhibitors or other additives to your car's cooling system. They may not be compatible with the coolant or engine components.

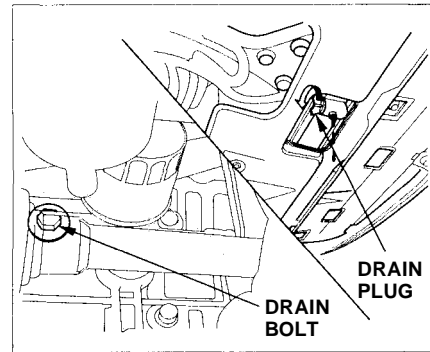
## Replacing Engine Coolant

The cooling system should be completely drained and refilled with new coolant according to the time and distance recommendations in the maintenance schedule. Only use recommended antifreeze.

Draining the coolant requires access to the underside of the car. Unless you have the tools and knowledge, you should have this maintenance done by a skilled mechanic.



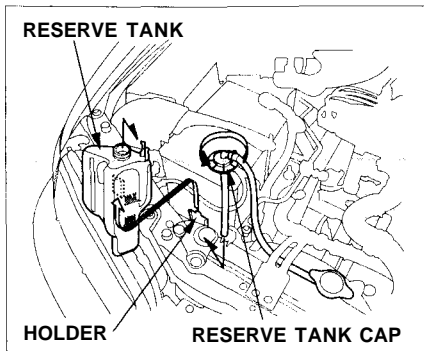
1. Start the engine. Turn the heater temperature control dial to maximum heat and turn off the engine. Open the hood. Make sure the engine and radiator are cool to the touch.
2. Remove the radiator cap.



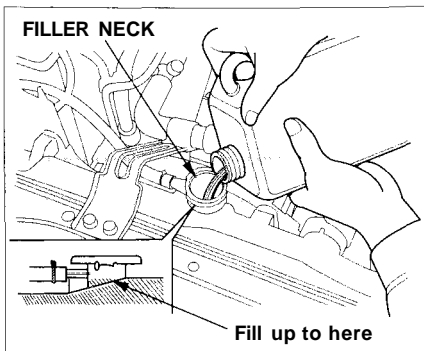
3. Loosen the drain plug on the bottom of the radiator. The coolant will drain through the splash guard. Remove the drain bolt from the engine block.

*CONTINUED*

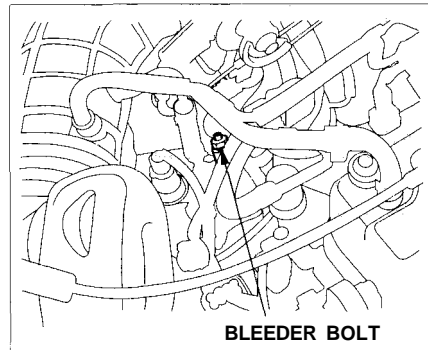
# Cooling System



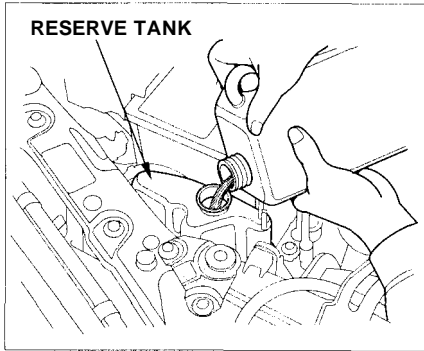
4. Remove the reserve tank from its holder by pulling it straight up. Drain the coolant, then put the tank back in its holder.
5. When the coolant stops draining, tighten the drain plug in the bottom of the radiator. Apply non-hardening sealant to the drain bolt threads and reinstall the bolt in the engine block. Tighten it securely.



6. Mix the recommended antifreeze with an equal amount of purified or distilled water in a clean container. The cooling system capacity is:  
*With manual transmission:*  
5.4 ℓ (1.43 US gal, 1.19 Imp gal)  
*With automatic transmission:*  
5.3 ℓ (1.40 US gal, 1.17 Imp gal)
7. Pour coolant into the radiator up to the base of the filler neck.



8. Loosen the bleeder bolt on top of the engine. Tighten it again when coolant comes out in a steady stream with no bubbles.
9. Refill the radiator to the base of the filler neck. Put the cap on the radiator, only tighten it to the first stop. Start the engine and let it run until it warms up (the radiator cooling fan comes on at least twice).



10. Turn off the engine. Check the level in the radiator, add coolant if needed. Install the radiator cap, tighten it fully.
11. Fill the reserve tank to the MAX mark. Install the reserve tank cap.

## Windshield Washers

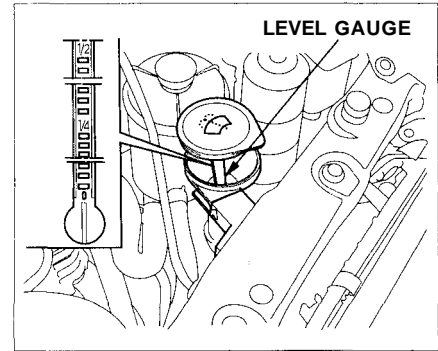
Check the level in the windshield washer reservoir at least monthly during normal usage. In bad weather, when you use the washers often, check the level every time you stop for fuel.

The windshield washer reservoir is located behind the left headlight. Check the reservoir's fluid level by removing the cap and looking at the level gauge attached to the cap.

Fill the reservoir with a good-quality windshield washer fluid. This increases the cleaning capability and prevents freezing in cold weather.

### NOTICE

Do not use engine antifreeze or a vinegar/water solution in the windshield washer reservoir.



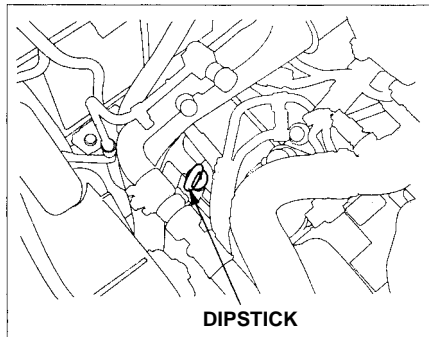
Antifreeze can damage your car's paint, while a vinegar/water solution can damage the windshield washer pump.

Use only commercially-available windshield washer fluid.



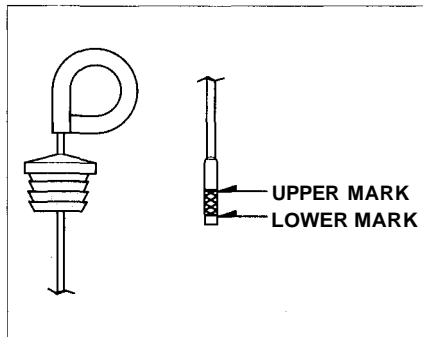
# Transmission Oil

## Automatic Transmission



Check the fluid level with the engine at normal operating temperature.

1. Park the car on level ground. Shut off the engine.
2. Remove the dipstick (yellow loop) from the transmission and wipe it with a clean cloth.



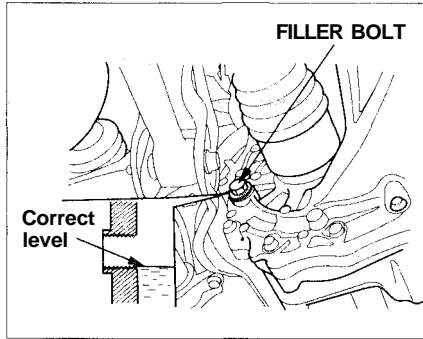
3. Insert the dipstick all the way into the transmission.
4. Remove the dipstick and check the fluid level. It should be between the upper and lower marks.

5. If the level is below the lower mark, add fluid into the tube to bring it to the upper mark. Use Honda Premium Formula Automatic Transmission Fluid or an equivalent DEXRON® II Automatic Transmission Fluid (ATF) only.

6. Insert the dipstick all the way back in the transmission.

The transmission should be drained and refilled with new fluid every 24 months or 48,000 km (30,000 miles), whichever comes first. Shorten this to every 12 months or 24,000 km (15,000 miles) under severe driving conditions (see page 134).

## 5-speed Manual Transmission



Check the oil level a couple of minutes after shutting off the engine. Make sure the car is on level ground. Remove the transmission filler bolt. The oil level should be up to the edge of the bolt hole. Feel inside the bolt hole with your finger. If you do not feel any oil, slowly add oil until it starts to run out of the hole. Reinstall the filler bolt and tighten it securely.

Only use an API Service SF or SG grade motor oil with a viscosity of SAE 10W-30 or 10W-40.

The transmission should be drained and refilled with new oil every 24 months or 48,000 km (30,000 miles), whichever comes first. Shorten the service interval to every 12 months or 24,000 km (15,000 miles) under severe driving conditions (see page [134](#)).

## Brake and Clutch Fluid

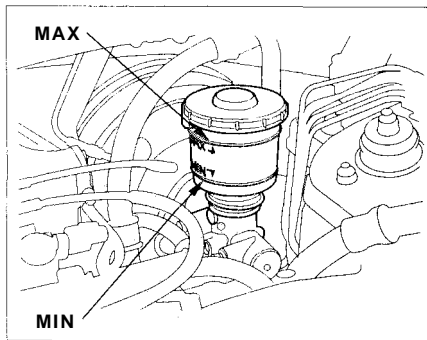
Check the fluid level in the reservoirs monthly. There are three reservoirs depending on the model. They are:

- Brake fluid reservoir
- Clutch fluid reservoir (manual transmission only)
- ABS reservoir (for ABS equipped cars)

The brake fluid in the brake and Anti-lock brake systems should be replaced every 2 years or 48,000 km (30,000 miles), whichever comes first.

# Brake and Clutch Fluid

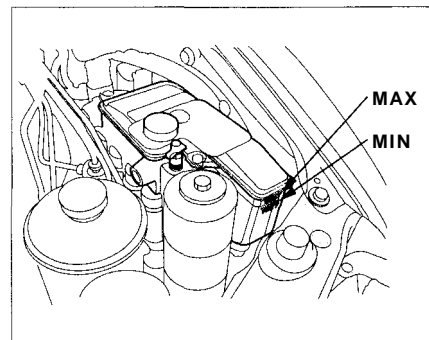
## Brake System



The fluid should be between the MIN and MAX marks on the side of the reservoir. If the level is at or below the MIN mark, it is an indication that your brake system needs attention. Have the brake system inspected for leaks or worn brake pads.

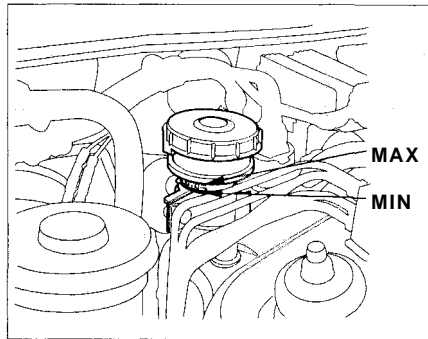
If you add brake fluid to bring it up to the MAX mark, use Genuine Honda Brake Fluid or an equivalent from a sealed container that is marked DOT3 or DOT4 only. Brake fluid marked DOT5 is not compatible with your car's braking system.

## Anti-lock Brake System



The fluid should be between the MIN and MAX marks on the side of the reservoir. If it is at or below the MIN mark, it indicates a possible problem in the ABS. Have the dealer inspect the system and add fluid.

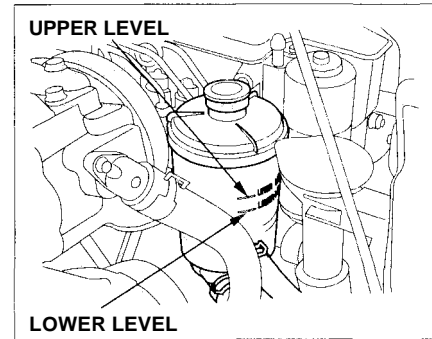
## Clutch System



The fluid should be between the MIN and MAX marks on the side of the reservoir. If it is not, add brake fluid to bring it up to that level. Use the same DOT3 or DOT4 brake fluid from a sealed container specified for the brake system.

Low fluid level can indicate a leak in the clutch system. Have this system inspected as soon as possible.

## Power Steering



You should check the fluid level in the power steering reservoir monthly. Check the level when the engine is cold. Look at the side of the reservoir. The fluid should be between the UPPER LEVEL and LOWER LEVEL. If it is below the LOWER LEVEL, add power steering fluid to the UPPER LEVEL.

*CONTINUED*

### NOTICE

Using automatic transmission fluid or another brand of power steering fluid will damage the system. Use only GENUINE HONDA Power Steering Fluid-V.

A low power steering fluid level can indicate a leak in the system. Check the fluid level frequently and have the system inspected as soon as possible.

### NOTICE

Turning the steering wheel to full left or right lock and holding it there can damage the power steering pump.

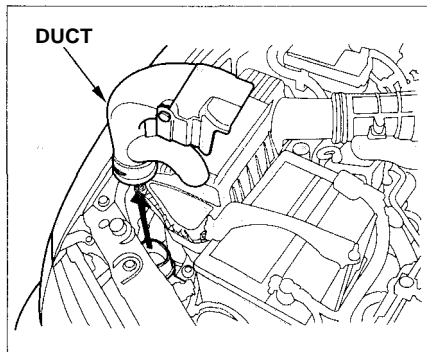
### Air Cleaner

The air cleaner element should be replaced every 2 years or 48,000 km (30,000 miles), whichever comes first. Under severe driving conditions, it should also be cleaned every 12 months or 24,000 km (15,000 miles), whichever comes first.

### Cleaning (Severe Conditions)

Clean the air cleaner element by blowing compressed air through it in the opposite direction to normal air flow. If you do not have access to compressed air (such as a gas station), ask your Honda dealer to do this service.

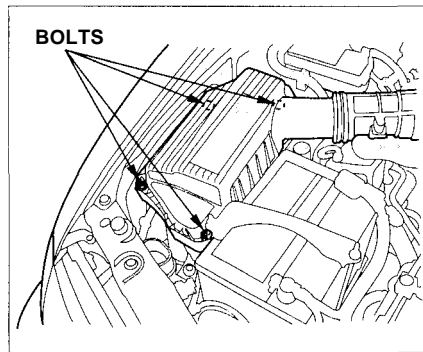
Follow the replacement procedure for removal and reinstallation.



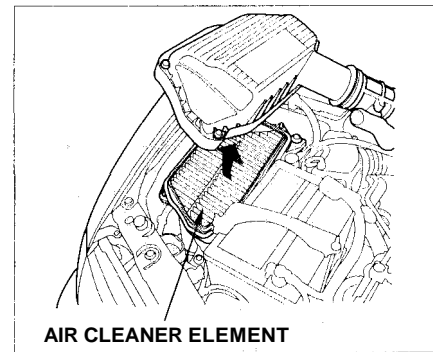
The air cleaner element is inside the box on the passenger's side of the engine compartment.

To replace it:

1. Remove the duct by pulling it straight out.



2. Loosen the four bolts and remove the air cleaner housing cover.
3. Remove the old air cleaner element.  
Clean the inside of the air cleaner housing with a damp rag.



4. Place the new air cleaner element in the air cleaner housing.
5. Reinstall the air cleaner housing cover, tighten the four bolts and reinstall the duct.

## Fuel Filter, Spark Plugs

### Fuel Filter

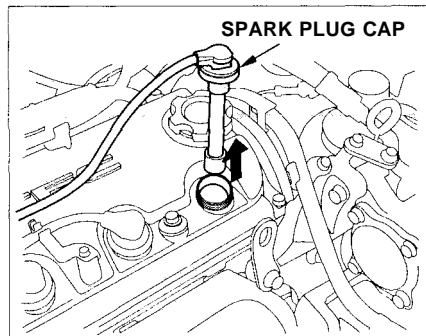
The fuel filter should be replaced every 4 years or 96,000 km (60,000 miles), whichever comes first. Have a qualified technician change the fuel filter. Since the fuel system is under pressure, gasoline can spray out and create a hazard if all fuel line connections are not handled correctly.

The filter may require replacement sooner if you happen to buy one or more tankfuls of contaminated gasoline. Have the filter tested or replaced if you suspect it has been clogged by contaminants.

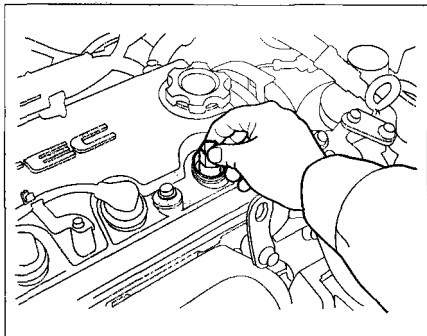
### Spark Plugs

The original spark plugs in your car need to be replaced every 2 years or 48,000 km (30,000 miles), whichever comes first.

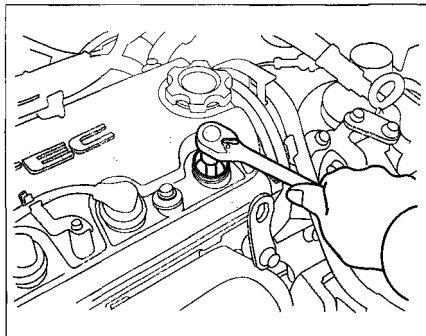
### Replacement



1. Clean up any dirt and oil around the spark plug caps.
2. Remove the spark plug cap by pulling it straight out.
3. Remove the spark plug, using a 16 mm (5/8 inch) spark plug socket.



4. Put the new spark plug into the socket, then thread it into the hole. Screw it in by hand so you do not crossthread it.



5. Torque the spark plug. (If you do not have a torque wrench, tighten the spark plug 2/3 turn after it contacts the cylinder head.)  
Tightening torque:  
**18 N.m(1.8 kg-m,13 lb-ft)**

## NOTICE

Tighten the spark plugs carefully. A spark plug that is too loose can overheat and damage the engine. Overtightening can cause damage to the threads in the cylinder head.

6. Install the spark plug cap.
7. Repeat this procedure for the other three spark plugs.

*CONTINUED*



## Spark Plugs, Battery

---

### Specifications:

Normal driving conditions

NGK: ZFR5F-11

Nippondenso: KJ16CR-L11

Hot climates, or continuous high speed driving

NGK: ZFR6F-11

Nippondenso: KJ20CR-L11

Spark Plug Gap:

1.1 mm (0.04 in) <sup>+0</sup><sub>0.1mm</sub>

### Battery

Check the condition of your car's battery monthly. You should check for proper electrolyte level and corrosion on the terminals.

**The battery gives off explosive hydrogen gas during normal operation. A spark or open flame can cause the battery to explode with enough force to kill or seriously hurt you.**

**Keep all sparks, open flames, and smoking materials away from the battery.**

**Wear protective clothing and a face shield, or have a skilled mechanic do the battery maintenance.**

**The battery contains sulfuric acid (electrolyte) which is highly corrosive and poisonous.**

**Getting electrolyte in your eyes or on your skin can cause serious burns. Wear protective clothing and eye protection when working near the battery.**

**Swallowing electrolyte can cause fatal poisoning if immediate action is not taken.**

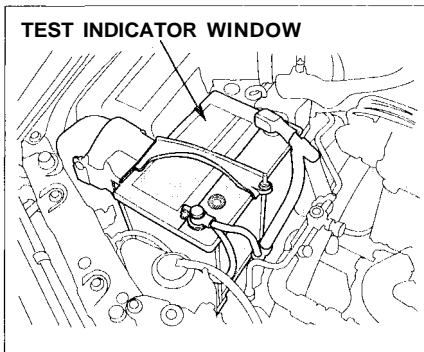
**KEEP OUT OF THE REACH OF CHILDREN**

## Emergency Procedures

**Eyes** — Flush with water from a cup or other container for at least fifteen minutes. (Water under pressure can damage the eye.) Immediately call a physician or 911.

**Skin** — Remove contaminated clothing. Flush the skin with large quantities of water. Call a physician immediately.

**Swallowing** — Drink water or milk. Call your local Poison Control Center or a physician immediately.

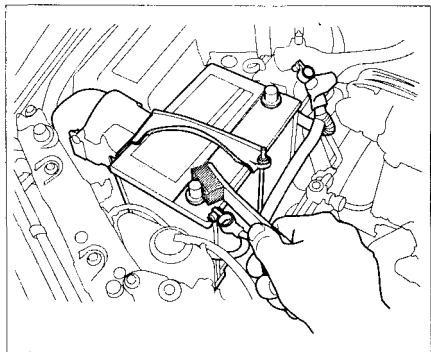


Check the battery condition by looking at the test indicator window on the battery. The label on the battery explains the test indicator's colors.

Check the battery terminals for corrosion (a white or yellowish powder). To remove it, cover the terminals with a solution of baking soda and water. It will bubble up and turn brown. When this stops, wash it off with plain water. Dry off the battery with a cloth or paper towel. Coat the terminals with grease to help prevent future corrosion.

*CONTINUED*

## Battery



If the terminals are severely corroded, clean them with baking soda and water. Then use a wrench to loosen and remove the cables from the terminals. Always disconnect the negative ( — ) cable first and reconnect it last. Clean the battery terminals with a terminal cleaning tool or wire brush. Reconnect and tighten the cables, then coat the terminals with grease.

If you need to connect the battery to a charger, disconnect both cables to prevent damage to the car's electrical system.

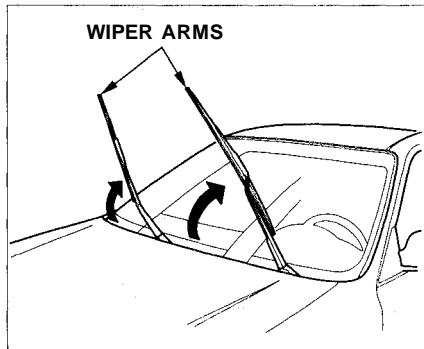
*On the U.S. EX and Canadian EX-R models*

If your car's battery is disconnected or goes dead, the audio system will disable itself. The next time you turn on the radio you will see "Code" in the frequency display. Use the Preset buttons to enter the five-digit code (see page [99](#) ).

### NOTICE

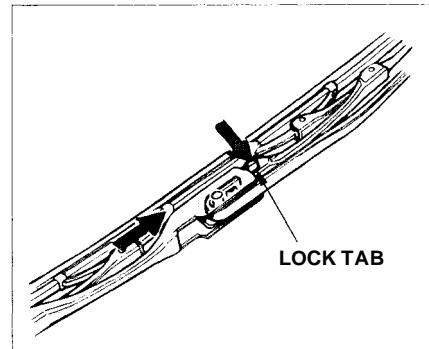
Charging the battery with the cables connected can seriously damage your car's electronic controls. Detach the battery cables before connecting the battery to a charger.

Check the condition of the windshield wiper blades at least every six months. Look for signs of cracking in the rubber, or areas that are getting hard. Replace the blades if you find these signs, or they leave streaks and unwiped areas when used.



To replace:

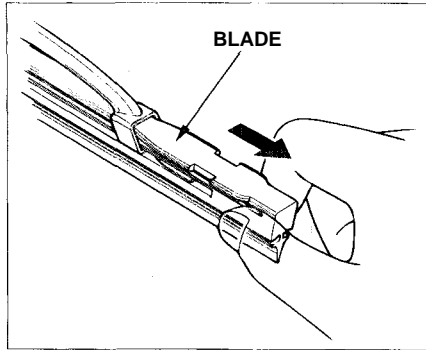
1. Raise the wiper arm off the windshield.



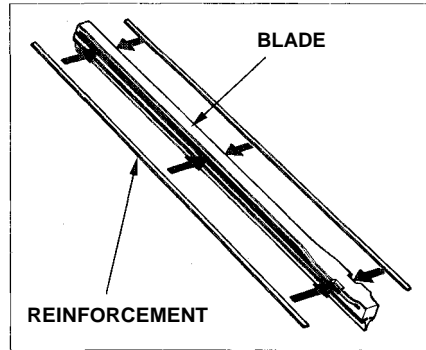
2. Disconnect the blade assembly from the wiper arm by pushing in the lock tab. Hold it in while you push the blade assembly toward the base of the arm.

*CONTINUED*

# Windshield Wipers



3. Remove the blade from its holder by grasping the tabbed end of the blade. Pull firmly until the tabs come out of the holder.



4. Examine the new wiper blades. If they have no plastic or metal reinforcement along the back edge, remove the metal reinforcement strips from the old wiper blade and install them in the slots along the edge of the new blade.

5. Slide the new wiper blade into the holder until the tabs lock.
6. Slide the new blade assembly onto the wiper arm. Make sure it locks in place.
7. Lower the wiper arm down against the windshield.

*Optional for the U.S. DX and Canadian LX models*

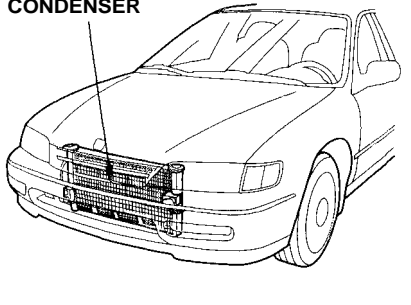
Your car's air conditioning is a sealed system. Any major maintenance, such as recharging, should be done by a qualified technician. There are a couple of things you can do to make sure the air conditioning works efficiently.

Periodically check the engine's radiator and air conditioning condenser for leaves, insects, and dirt stuck to the front surface. These block the air flow and reduce cooling efficiency. Use a light spray from a hose or a soft brush to remove them.

### NOTICE

The condenser and radiator fins bend easily. Only use a low-pressure spray or soft-bristle brush to clean them.

**AIR CONDITIONING  
CONDENSER**



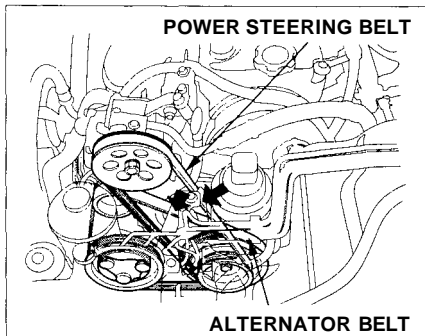
Run the air conditioning at least once a week during the cold weather months. Run it for at least ten minutes while you are driving at a steady speed with the engine at normal operating temperature. This circulates the lubricating oil contained in the refrigerant.

If the air conditioning does not get as cold as before, have your dealer check the system. Recharge the system with Refrigerant HFC-134a (R-134a). (See Specifications on page 214.)

### NOTICE

Whenever you have the air conditioning system serviced, make sure the service facility uses a refrigerant recycling system. This system captures the refrigerant for reuse. Releasing refrigerant into the atmosphere can damage the environment.

## Engine Belts



Check the condition of the two engine belts. Examine the edges of each belt for cracks or fraying. Check the tension of each belt by pushing on it with your thumb midway between the pulleys. The belts should have the following "play" or deflection.

Alternator belt:

(On cars without A/C)

10.5—12.5 mm (0.41—0.49 in)

(On cars with A/C)

8.0 — 10.5 mm (0.31— 0.41 in)

Power steering belt:

13.0 —16.0 mm (0.51— 0.63 in)

If you see signs of wear or looseness, have your dealer adjust or replace the belts.

## Tires

To safely operate your car, your tires must be the proper type and size, in good condition with adequate tread, and correctly inflated. The following pages give more detailed information on how and when to check air pressure, how to inspect your tires for damage, and what to do when your tires need to be replaced.

**Using tires that are excessively worn or improperly inflated can cause a crash in which you can be seriously hurt or killed.**

**Follow all instructions in this owner's manual regarding tire inflation and maintenance.**

**Inflation**

Keeping the tires properly inflated provides the best combination of handling, tread life and riding comfort. Underinflated tires wear unevenly, adversely affect handling and fuel economy, and are more likely to fail from being overheated. Overinflated tires can make your car ride more harshly, are more prone to damage from road hazards, and wear unevenly.

We recommend that you visually check your tires every day and use a gauge to measure the air pressure at least once a month. If you think a tire might be low, check it immediately. Remember to check the spare tire at the same time you check all the other tires.

Check the pressure in the tires when they are cold. This means the car has been parked for at least three hours. If you have to drive the car

before checking the tire pressure, the tires can still be considered "cold" if you drive less than 1.6 km (1 mile).

If you check the pressure when the tires are hot (the car has been driven several miles), you will see readings 28 to 41 kPa (0.3 to 0.4 kg/cm<sup>2</sup>, 4 to 6 psi) higher than the cold reading. This is normal. Do not let air out to match the specified cold pressure. The tire will be underinflated.

***Recommended Tire Pressures for Normal Driving***

The following chart shows the recommended cold tire pressures for most normal driving conditions and speeds. Tire pressures for high speed driving are shown on page [219](#).

(US: DX, LX, Canada: LX)

Tire Size	Cold Tire Pressure for Normal Driving
P185/70R14 87S	220 kPa (2.2 kg/cm <sup>2</sup> , 32 psi)

(US: EX, Canada: EX-R)

Tire Size	Cold Tire Pressure for Normal Driving
195/60R15 88H	220 kPa (2.2 kg/cm <sup>2</sup> , 32 psi)

The compact spare tire pressure is: 420 kPa (4.2 kg/cm<sup>2</sup>, 60 psi)

The pressures are also given on the tire information label on the driver's door jamb.

CONTINUED



# Tires

You should get your own tire pressure gauge and use it whenever you check your tire pressures. This will make it easier for you to tell if a pressure loss is due to a tire problem and not due to a variation between gauges.

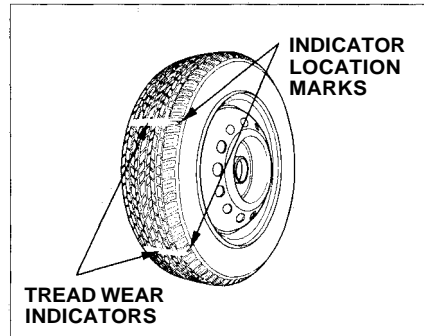
Tubeless tires have some ability to self-seal if they are punctured. However, because leakage is often very slow, you should look closely for punctures if a tire starts losing pressure.

## Inspection

Every time you check inflation, you should also examine the tires for damage, foreign objects, and wear.

You should look for:

- Bumps or bulges in the tread or side of the tire. Replace the tire if you find either of these conditions.
- Cuts, splits, or cracks in the side of the tire. Replace the tire if you can see fabric or tread.
- Excessive tread wear.



Your car's tires have wear indicators molded into the tread. When the tread wears down to that point, you will see a 12.7 mm (1/2 inch) wide band running across the tread. This shows there is less than 1.6 mm (1/16 inch) of tread left on the tire. A tire that is this worn gives very little traction on wet roads. You should replace the tire if you can see the tread wear indicator in three or more places around the tire.

## Maintenance

In addition to proper inflation, correct wheel alignment helps to decrease tire wear. You should get your car's wheel alignment checked every 12 months or 24,000 km (15,000 miles).

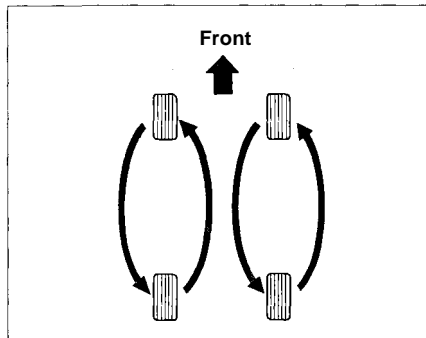
The tires were properly balanced by the factory. They may need to be rebalanced at some time before they are worn out. Have your dealer check the tires if you feel a consistent vibration while driving. A tire should always be rebalanced if it is removed from the wheel for repair.

Make sure the installer balances the wheels when you have new tires installed. This increases riding comfort and tire life. Your car's original tires were dynamic or "spin" balanced at the factory. For best results, have the installer perform a dynamic balance.

### NOTICE

(US: EX, Canada: EX-R)  
Improper wheel weights can damage your car's aluminum wheels. Use only genuine Honda wheel weights for balancing.

### Tire Rotation



To help increase tire life and distribute wear more evenly, you should have the tires rotated every 12,000 km (7,500 miles). Move the tires to the positions shown in the chart each time they are rotated.

### Replacing Tires and Wheels

The tires that came with your car were selected to match the performance capabilities of the car while providing the best combination of

handling, ride comfort, and long life. You should replace them with radial tires of the same size, load range, speed rating, and maximum cold tire pressure rating (as shown on the tire's sidewall). Mixing radial and bias-ply tires on your car can reduce its braking ability, traction, and steering accuracy.

**Installing improper tires on your car can affect handling and stability. This can cause a crash in which you can be seriously hurt or killed.**

**Always use the size and type of tires recommended in this owner's manual.**

*CONTINUED*

It is best to replace all four tires at the same time. If that is not possible or necessary, then replace the two front tires or the two rear tires as a pair. Replacing just one tire can seriously affect your car's handling.

If you ever need to replace a wheel, make sure the wheel's specifications match those of the original wheel that came on your car. Replacement wheels are available at your Honda dealer.

## Wheels and Tires

Wheel:

(US: DX, LX, Canada: LX)

14 x 5 J

(US: EX, Canada: EX-R)

15 x 5 1/2 JJ

Tire:

(US: DX, LX, Canada: LX)

P185/70R1487S

(US: EX, Canada: EX-R)

195/60R 15 88H

See *Tire Information* on page 218 for additional information about tire and wheel size designations. See page 219 for information about DOT Tire Quality Grading.

## Winter Driving

Tires that are marked "M+S" or "All Season" on the sidewall have an all-weather tread design. They should be suitable for most winter driving conditions. Tires without these markings are designed for optimum traction in dry conditions. They may not provide adequate performance in winter driving.

For the best performance in snowy or icy conditions, you should install snow tires or tire chains. They may be required by local laws under certain conditions.

**Snow Tires**

If you mount snow tires on your Honda, make sure they are radial tires of the same size and load range as the original tires. Mount snow tires on all four wheels to balance your car's handling in all weather conditions. Keep in mind the traction provided by snow tires on dry roads may not be as high as your car's original-equipment tires. You should drive cautiously even when the roads are clear. Check with the tire dealer for maximum speed recommendations.

**Tire Chains**

Mount snow chains on your car when warranted by driving conditions or required by local laws. Make sure the chains are the correct size for your tires. Install them only on the front tires. If metal chains are used, they must be SAE class "S". Cable type traction devices can also be used.

When installing chains, follow the manufacturer's instructions and mount them as tightly as you can. Drive slowly with chains installed. If you hear the chains contacting the body or chassis, stop and tighten them. If they still make contact, slow down until it stops. Remove the chains as soon as you begin driving on cleared roads.

**NOTICE**

Chains of the wrong size or that are improperly installed can damage your car's brake lines, suspension, body, and wheels. Stop driving if you hear the chains hitting any part of the car.

# Lights

---

Check the operation of your car's exterior lights at least once a month. A burned out bulb can create an unsafe condition by reducing your car's visibility and the ability to signal your intentions to other drivers.

Check the following:

- Headlights (low and high beam)
- Parking lights
- Taillights
- Brake lights
- High-mount brake light
- Turn signals
- Back-up lights
- Hazard light function
- License plate light
- Side marker lights
- Daytime running lights  
(Canadian cars)

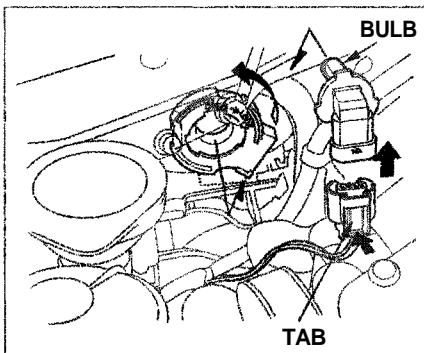
If you find any bulbs are burned out, replace them as soon as possible. Refer to the chart on page 215 to determine what type of replacement bulb is needed.

## Replacing a Headlight Bulb

Your car has two bulbs on each side, four in total. Make sure you are replacing the bulb that is burned out. Your car uses halogen headlight bulbs. When replacing a bulb, handle it by its plastic case and protect the glass from contact with your skin or hard objects. If you touch the glass, clean it with denatured alcohol and a clean cloth.

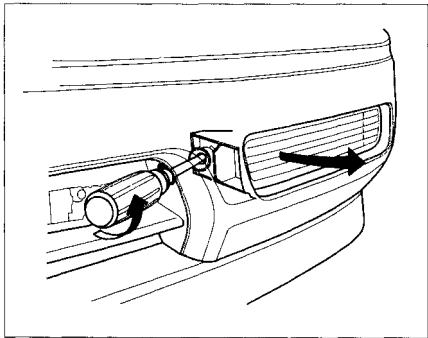
## NOTICE

Halogen headlight bulbs get very hot when lit. Oil, perspiration, or a scratch on the glass can cause the bulb to overheat and shatter.

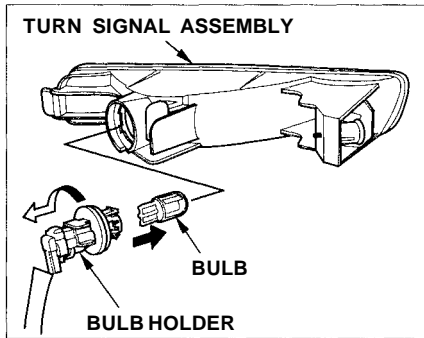


1. Open the hood.  
If you need to change a bulb on the passenger's side, remove the radiator reserve tank,
2. Remove the electrical connector from the bulb by squeezing the connector to unlock the tab while you push down on the connector.
3. Remove the bulb by turning it one-quarter turn counterclockwise.
4. Insert the new bulb into the hole and turn it one-quarter turn clockwise.
5. Push the electrical connector back onto the bulb. Make sure it is on all the way.
6. Turn on the headlights to test the new bulb.
7. (Passenger's side)  
Reinstall the radiator reserve tank.

## Replacing a Front Turn Signal Light Bulb



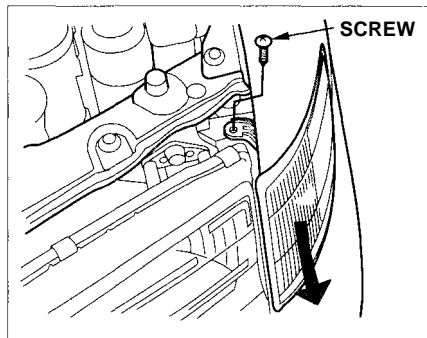
1. Use a Phillips-head screwdriver to loosen the turn signal assembly's mounting screw.
2. Remove the turn signal assembly from the bumper.



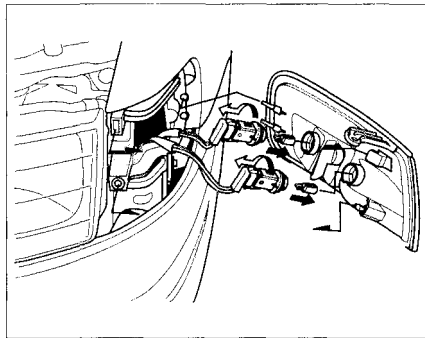
3. Remove the bulb holder from the turn signal assembly by turning it counterclockwise.
4. Remove the burned out bulb from the socket by pulling it straight out of its socket.
5. Install the new bulb in the socket.

6. Push the bulb holder into the turn signal assembly and turn it clockwise until it locks.
7. Test the turn signals to make sure the new bulb is working.
8. Put the turn signal assembly into the bumper. Make sure the tabs on the turn signal assembly fit into the bumper slots. Tighten the mounting screw.

## Replacing Front Side Marker and Parking Light Bulbs



1. Use a Phillips-head screwdriver to remove the screw from the top of the fender.
2. Move the side marker light assembly forward until it pops out of the body.



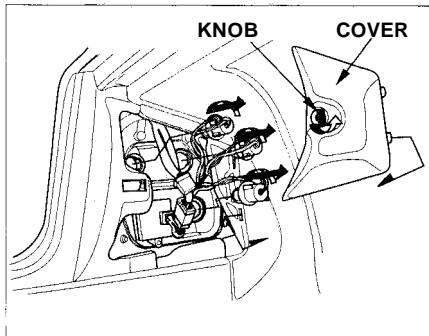
3. Turn the bulb holder one-quarter counterclockwise to remove it from the lens.
4. Pull the bulb straight out of its socket. Push the new bulb straight into the socket until it bottoms.

5. Put the bulb holder back into its hole in the lens, and turn it clockwise until it locks.
6. Turn on the parking lights and check that the new bulb is working.
7. Put the side marker assembly back into the body. Push on the front edge until it snaps into place. Install the mounting screw and tighten it securely.

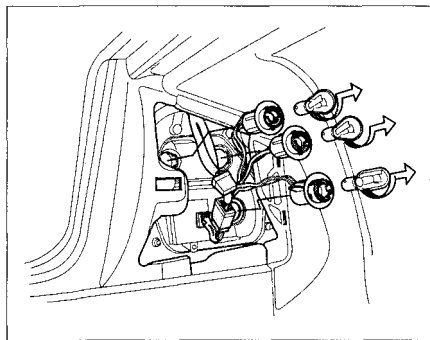


# Lights

## Replacing Rear Bulbs



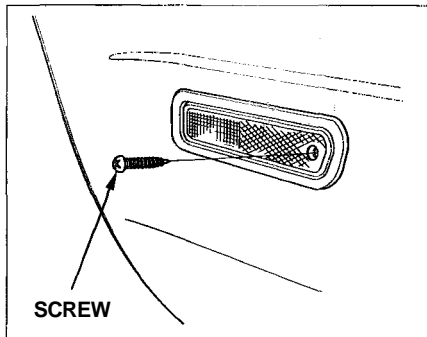
1. Open the trunk and remove the taillight cover by turning the knob.
2. Determine which of the three bulbs is burned out: tail/stoplight, back-up light or turn signal.



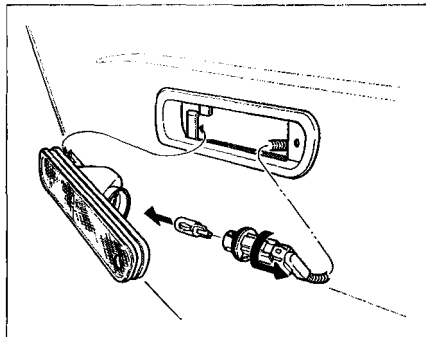
3. Remove the socket by turning it one-quarter turn counterclockwise.
4. Remove the bulb by turning it one-quarter turn counterclockwise and pulling it out of the socket.
5. Install the new bulb in the socket.

6. Reinstall the socket into the light assembly.
7. Test the lights to make sure the new bulb is working.
8. Reinstall the taillight assembly cover.

## Replacing a Rear Side Marker Light Bulb



1. Use a Phillips-head screwdriver to loosen the side marker assembly mounting screw.
2. Remove the assembly from the fender by pulling out the back edge and sliding the assembly backwards.

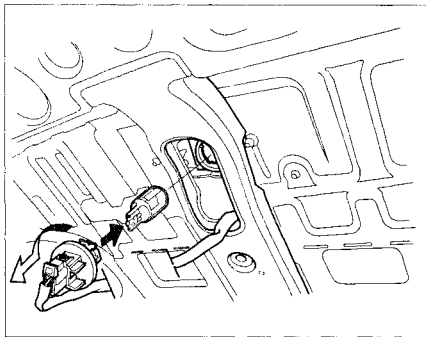


3. Remove the socket from the light assembly by turning it counter-clockwise.
4. Remove the bulb from the socket by pulling it straight out. Install the new bulb. Turn on the headlights to test the bulb.

5. Insert the socket in the assembly. Turn it clockwise to lock it in place.
6. Reinstall the side marker assembly in the bumper. Tighten the mounting screw securely.

# Lights

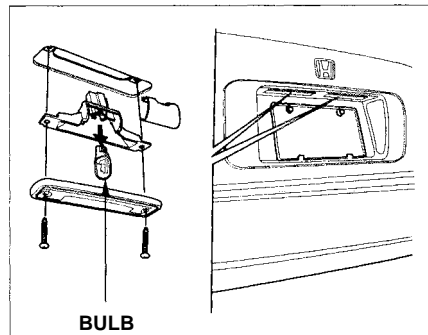
## Replacing a High-mount Brake Light Bulb



1. Open the trunk and remove the socket from the light assembly by turning it one-quarter turn counter-clockwise.
2. Remove the burned-out bulb by pulling it straight out of the socket.

3. Install the new bulb and reinstall the socket. Make sure the new bulb is working.

## Replacing a Rear License Bulb



1. Remove the two screws and remove the license light assembly.
2. Remove the lens from the rubber seal and the metal cover.
3. Pull the bulb straight out of its socket. Push the new bulb in until it bottoms in the socket.

4. Turn on the parking lights and check that the new bulb is working.
5. Reinstall the cover and the lens. Put the license light assembly in place. Reinstall the two screws and tighten them securely.

## Replacing Bulbs in the Interior Lights

The ceiling light, door light and vanity mirror light come apart the same way. They do not all use the same bulb.

1. Remove the lens by carefully prying on the edge of the lens with a fingernail file or a small flat-tip screwdriver. Do not pry on the edge of the housing around the lens.

### Door light:

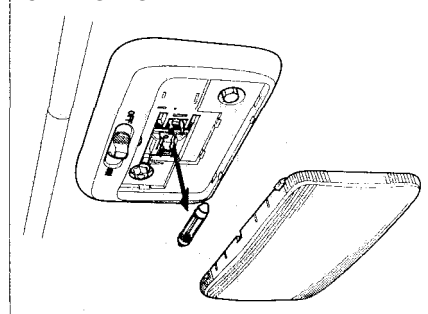
*Not available on the U.S. DX model and Canadian LX models*

pry on the top middle of the lens.

### Ceiling light:

pry on the front edge of the lens in the middle.

## CEILING LIGHT

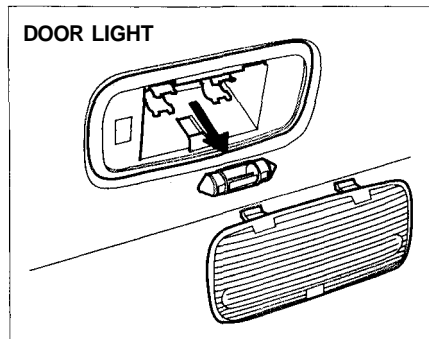


2. Remove the bulb by pulling it straight out of its metal tabs.
3. Push the new bulb into the metal tabs. Snap the lens back in place.

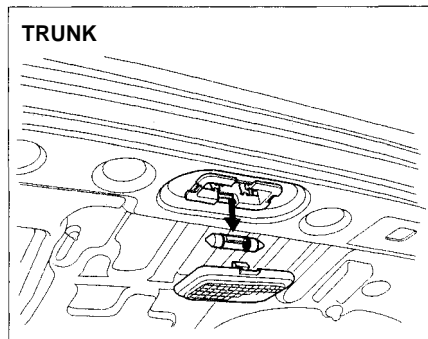
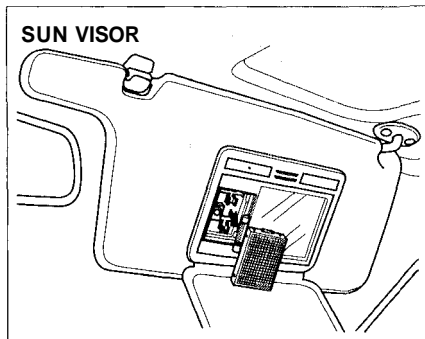
CONTINUED

# Lights

On U.S. LX and EX models, and  
Canadian EX-R model



On U.S. LX and EX models, and  
Canadian EX-R model



If you need to park your car for an extended period (more than 1 month), there are several things you should do to prepare it for storage. Proper preparation helps prevent deterioration and makes it easier to get your car back on the road. It is best to store your car indoors if at all possible.

- Fill the fuel tank.
- Change the engine oil and filter (see page [141](#)).
- Wash and dry the exterior completely.
- Clean the interior. Make sure the carpeting, floor mats, etc. are completely dry.
- Leave the parking brake off. Put the transmission in Reverse (manual) or Park (automatic).

- Block the rear wheels.
- If the car is to be stored for a longer period, it should be supported on jackstands so the tires are off the ground.
- Leave one window open slightly (if the car is being stored indoors).
- Disconnect the battery.
- Cover the car with a "breathable" car cover, one made from a porous material such as cotton. Nonporous materials, such as plastic sheeting, trap moisture which can damage the paint.
- If possible, run the engine for a while periodically (preferably once a month).

If you store your car for 12 months or longer, have your Honda dealer perform the inspections called for in the 24 months/48,000 km (30,000 miles) maintenance schedule as soon as you take it out of storage (see page [133](#)). The replacements called for in the maintenance schedule are not needed unless the car has actually reached that time or mileage.

Regular cleaning and polishing of your Honda helps to keep it "new" looking. This section gives you hints on how to clean and preserve your car's appearance: the paint, bright-work, wheels and interior. Also included are several things you can do to help prevent corrosion.

Exterior Care.....	180
Washing.....	180
Waxing.....	181
Aluminum Wheels.....	181
Paint Touch-up.....	182
Interior Care.....	183
Carpeting.....	183
Fabric.....	183
Vinyl.....	183
Leather.....	133
Seat Belts.....	184
Windows.....	184
Air Fresheners.....	184
Corrosion Protection.....	185
Body Repairs.....	186

## Exterior Care

---

### Washing

Frequent washing helps preserve your car's beauty. Dirt and grit can scratch the paint, while tree sap and bird droppings can permanently ruin the finish.

Wash your car in a shady area, not in direct sunlight. If the car is parked in the sun, move it into the shade and let the exterior cool down before you start.

#### NOTICE

Chemical solvents and strong cleaners can damage the paint, metal, and plastic on your car. Only use the solvents and cleaners recommended in this Owner's Manual.

- Rinse the car thoroughly with cool water to remove loose dirt.

- Fill a bucket with cool water. Mix in a mild detergent, such as dishwashing liquid or a product made especially for car washing.
- Wash the car, using the water and detergent solution and a soft-bristle brush, sponge, or soft cloth. Start at the top and work your way down. Rinse frequently.
- Check the body for road tar, tree sap, etc. Remove these stains with tar remover or turpentine. Rinse it off immediately so it does not harm the finish. Remember to re-wax these areas, even if the rest of the car does not need waxing.
- When you have washed and rinsed the whole exterior, dry it with a chamois or soft towel. Letting it air-dry will cause dulling and water spots.

As you dry the car, inspect it for chips and scratches that could allow corrosion to start. Repair them with touch-up paint (see page [182](#)).



### Waxing

Always wash and dry the whole car before waxing it. You should wax your car, including the metal trim, whenever water sits on the surface in large patches. It should form into beads or droplets after waxing.

You should use a quality liquid or paste wax. Apply it according to the instructions on the container. In general, there are two types of products:

**Waxes** — A wax coats the finish and protects it from damage by exposure to sunlight, air pollution, etc. You should use a wax on your Honda when it is new.

**Polishes** — Polishes and cleaner/waxes can restore the shine to paint that has oxidized and lost some of its shine. They normally contain mild abrasives and solvents that remove the top layer of the finish. You should use a polish on your Honda if the finish does not have its original shine after using a wax.

Cleaning tar, insects, etc. with removers also takes off the wax. Remember to re-wax those areas, even if the rest of the car does not need waxing.

### Aluminum Wheels

*On the U.S. EX and Canadian EX-R models*

Clean your Honda's aluminum alloy wheels as you do the rest of the exterior. Wash them with the same solution, and rinse them thoroughly.

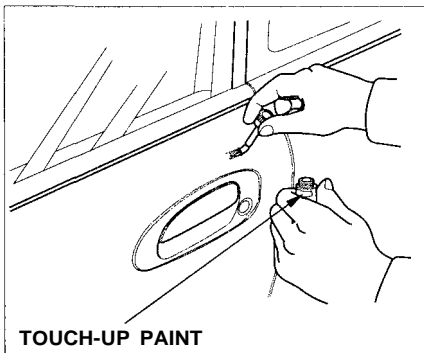
The wheels have a protective clear-coat that keeps the aluminum from corroding and tarnishing. Using harsh chemicals, including some commercial wheel cleaners, or stiff brushes can damage this clear-coat. Only use a mild detergent and soft brush or sponge to clean the wheels.

## Exterior Care

---

### Paint Touch-up

Your dealer has touch-up paint to match your car's color. The color code is printed on a sticker on the driver's door jamb. Take this code to your dealer so you are sure to get the correct color.



Inspect your car for chipped or scratched paint every time you wash it. Repair it as soon as possible to prevent corrosion. Use the touch-up paint on small chips and scratches. More extensive damage should be repaired by a professional.

Examine the chip or scratch closely before repairing it. If it does not go down to bare metal, clean it with soap and water and apply the touch-up paint. If it does go to the metal, apply a coat of primer first. After this dries, apply the touch-up paint. Build up the paint in the damaged area to the level of the surrounding paint. Several thin coats of paint are better than one thick coat.

### **Carpeting**

Vacuum the carpeting frequently to remove dirt. Ground-in dirt will make the carpet wear out faster.

Periodically shampoo the carpet to keep it looking new. Use one of the foam-type carpet cleaners on the market. Follow the instructions that come with the cleaner, applying it with a sponge or soft brush. Keep the carpeting as dry as possible by not adding water to the foam.

### **Fabric**

Vacuum dirt and dust out of the material frequently. For general cleaning, use a solution of mild soap and lukewarm water, letting it air dry. To clean off stubborn spots, use a commercially-available fabric cleaner. Test it on a hidden area of the fabric first, to make sure it does not bleach or stain the fabric. Follow the instructions that come with the cleaner.

### **Vinyl**

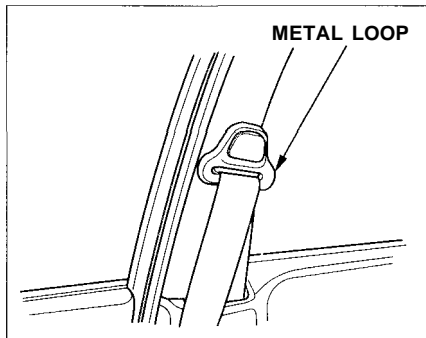
Remove dirt and dust with a vacuum cleaner. Wipe the vinyl with a soft cloth dampened in a solution of mild soap and water. Use the same solution with a soft-bristle brush on more difficult spots. You can also use commercially-available spray or foam-type vinyl cleaners.

### **Leather**

*Optional for the U.S. EX and Canadian EX-R models*

Vacuum dirt and dust from the leather frequently. Pay particular attention to the pleats and seams. Clean the leather with a soft cloth dampened with clear water, then buff it with a clean, dry cloth. If further cleaning is needed, use a soap specifically for leather, such as saddle soap. Apply this soap with a damp, soft cloth. Wipe down and buff as described above.

### Seat Belts



If your seat belts get dirty, you can use a soft brush with a mixture of mild soap and warm water to clean them. Do not use bleach, dye, or cleaning solvents. They can weaken the belt material. Let the belts air-dry before you use the car.

Dirt build-up in the metal loops of the seat belt anchors can cause the belts to retract slowly. Wipe the inside of the loops with a clean cloth dampened in isopropyl alcohol or a mixture of mild soap and warm water.

### Windows

Clean the windows, inside and out, with a commercially-available glass cleaner. You can also use a mixture of one part white vinegar to ten parts water. This will remove the haze that builds up on the inside of the windows. Use a soft cloth or paper towels to clean all glass and clear plastic surfaces.

### NOTICE

The rear window defogger and antenna wires are bonded to the inside of the glass. Wiping vigorously up-and-down can dislodge and break these wires. When cleaning the rear window, use gentle pressure and wipe side-to-side.

### Air Fresheners

If you want to use an air freshener/deodorizer in the interior of your car, it is best to use a solid type. Some liquid air fresheners contain chemicals that may cause parts of the interior trim and fabric to crack or discolor.

If you use a liquid air freshener, make sure you fasten it securely so it does not spill as you drive.

Two factors normally contribute to causing corrosion in your car:

1. Moisture trapped in body cavities. Dirt and road salt that collects in hollows on the underside of the car stays damp, promoting corrosion in that area.
2. Removal of paint and protective coatings from the exterior and underside of the car.

Many corrosion-preventive measures are built into your Honda. You can help keep your car from corroding by performing some simple periodic maintenance:

- Repair chips and scratches in the paint as soon as you discover them.
- Inspect and clean out the drain holes in the bottom of the doors and body.
- Check the floor coverings for dampness. Carpeting and floor mats may remain damp for a long time, especially in winter. This dampness can eventually cause the floor panels to corrode.

- Use a high-pressure spray to clean the underside of your car. This is especially important in areas that use road salt in winter. It is also a good idea in humid climates and areas subject to salt air. Cars equipped with ABS have a sensor and wiring at each wheel. Be careful not to damage them.
- Have the corrosion-preventive coatings on the underside of your car inspected and repaired periodically.

## Body Repairs

---

Body repairs affect your car's resistance to corrosion. If your car needs repairs after a collision, pay close attention to the parts used in the repair and the quality of the work.

Make sure the repair facility uses genuine Honda replacement body parts. Some companies make sheetmetal pieces that seem to duplicate the original Honda body parts, but are actually inferior in fit, finish, and quality. Once installed, they do not give the same high-quality appearance and level of corrosion resistance.

When reporting your collision to the insurance company, tell them you want genuine Honda parts used in the repair. Although most insurers recognize the higher quality of original parts, some may try to specify that the repairs be done with the "lowest cost" parts available. You should investigate this before any repairs are begun.

Take your car to your authorized Honda dealer for inspection after the repairs are completed. He can make sure that quality materials were used, and that corrosion-preventive coatings were applied to all repaired and replaced parts.

This section covers the more-common problems that motorists experience with their cars. It gives you information about how to safely evaluate the problem and what to do to correct it. If the problem has stranded you on the side of the road, you may be able to get going again. If not, you will also find instructions on getting your car towed.

Compact Spare Tire.....	188
Changing a Flat Tire .....	189
If Your Engine Won't Start.....	195
Nothing Happens.....	195
The Starter Operates Normally.....	196
Jump Starting.....	196
If Your Engine Overheats.....	198
Low Oil Pressure.....	200
Charging System Indication.....	201
Malfunction Indicator Lamp/ Check Engine Light.....	202
Closing the Moonroof.....	203
Fuses.....	204
Checking and Replacing.....	205
Towing.....	209

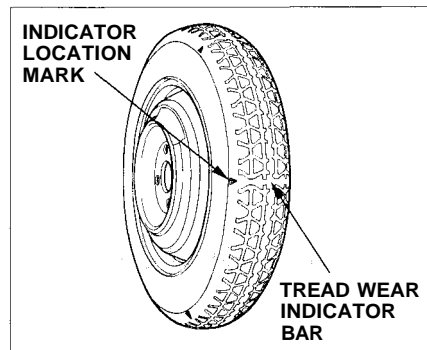
## Compact Spare Tire

Your car has a compact spare tire that takes up less space. Use this spare tire as a temporary replacement only. Get your regular tire repaired or replaced and put back on your car as soon as you can.

Check the inflation pressure of the compact spare tire every time you check the other tires. It should be inflated to:  
420 kPa (4.2 kg/cm<sup>2</sup> , 60 psi)

Follow these precautions whenever you are using the compact spare tire:

- Do not exceed 50 mph (80 km/h) under any circumstances.
- This tire gives a harsher ride and less traction on some road surfaces than the regular tire. Use greater caution while driving on this tire.
- Do not mount snow chains on the compact spare.
- The wheel of the compact spare tire is designed especially to fit your car. Do not use your spare tire on another car unless it is the same make and model.



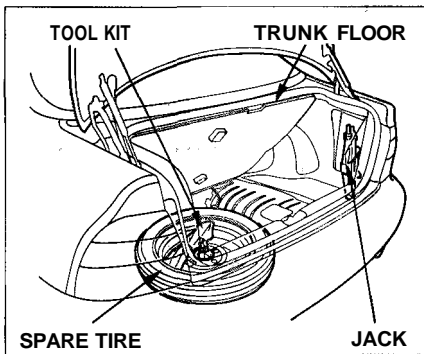
The compact spare tire has a shorter tread life than a regular tire. Replace it when you can see the tread wear indicator bars. The replacement should be the same size and design tire, mounted on the same wheel. The compact spare tire is not designed to be mounted on a regular wheel, and the compact wheel is not designed for mounting a regular tire.



If you have a flat tire while driving, stop in a safe place to change it. Stopping in traffic or on the shoulder of a busy road is dangerous. Drive slowly along the shoulder until you get to an exit or an area to stop that is far away from the traffic lanes.

**The car can easily roll off the jack, seriously injuring anyone underneath.**

**Follow the directions for changing a tire exactly, and never get under the car when it is supported only by the jack.**



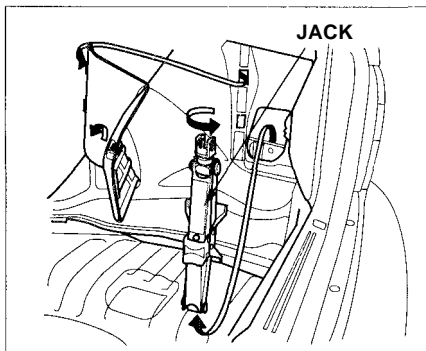
1. Park the car on firm, level ground away from traffic. Turn on the hazard warning lights and turn the ignition to LOCK (0).
2. Put the transmission in Park (automatic) or Reverse (manual). Set the parking brake.

3. Open the trunk. Raise the trunk floor by lifting up on the back edge.
4. Take the tool kit out of the spare tire well.
5. Unscrew the wing bolt and take the spare tire out of its well.

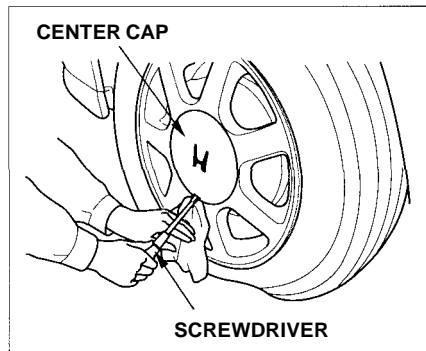
*CONTINUED*

## Changing a Flat Tire

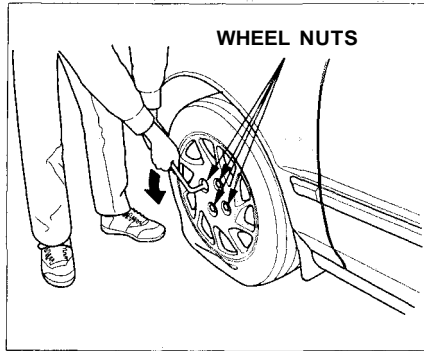
6. The jack is behind a cover in the right fender. Remove the cover by turning the handle clockwise, then pulling on the cover.



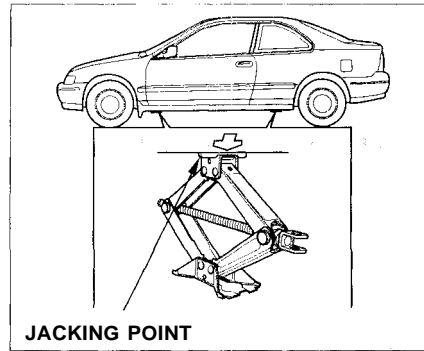
7. Turn the jack's end bracket counterclockwise to loosen it, then remove the jack.



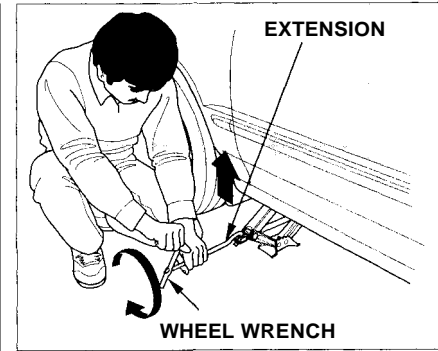
8. (US: EX, Canada: EX-R)  
Remove the center cap from the wheel with a screwdriver (not included in tool kit) or coin.



9. Loosen the four wheel nuts 1/2 turn with the wheel wrench.



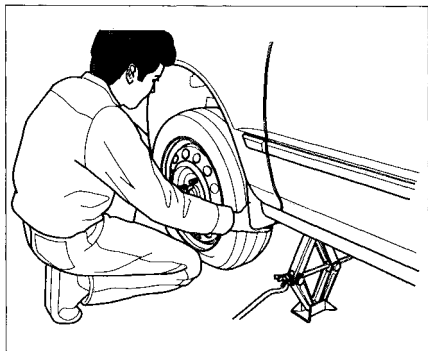
10. Find the jacking point nearest the wheel you are removing. Place the jack under the jacking point. Turn the end bracket clockwise until the top of the jack contacts the jacking point. Make sure the jacking point tab is resting in the jack notch.



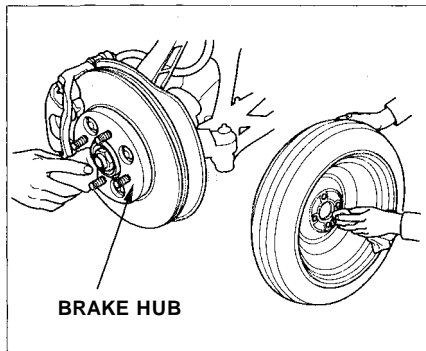
11. Use the extension and wheel wrench as shown to raise the car until the flat tire is off the ground.

*CONTINUED*

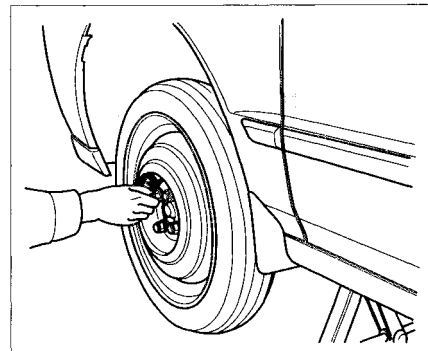
## Changing a Flat Tire



12. Remove the wheel nuts and flat tire. Temporarily place the flat tire on the ground with the outside surface of the wheel facing up. The outside surface contacting the ground could damage the wheel surface.



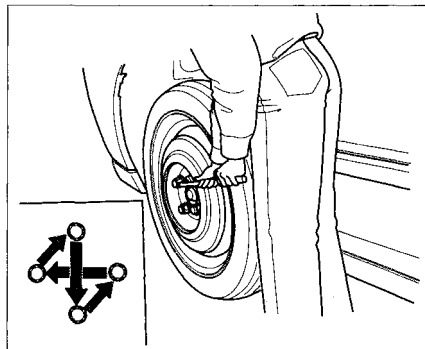
13. Before mounting the spare tire, wipe any dirt off the mounting surface of the wheel and hub with a cloth.



14. Put on the spare tire. Put the wheel nuts back on finger-tight, then tighten them in a crisscross pattern with the wheel wrench until the wheel is firmly against the hub. Do not try to tighten them fully.

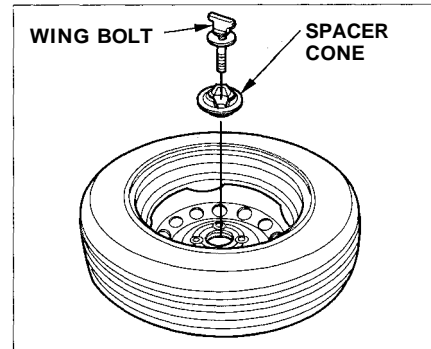


15. Lower the car to the ground and remove the jack.



16. Tighten the wheel nuts securely in the same crisscross pattern. Have the wheel nut torque checked at the nearest automotive service facility.

Tighten the wheel nuts to:  
110 N.m(11 kg-m, 80 lb-ft)



17. Place the flat tire face down in the spare tire well.

18. Remove the spacer cone from the wing bolt, turn it over, and put it back on the bolt.

19. Secure the flat tire by screwing the wing bolt back into its hole.

*CONTINUED*

## Changing a Flat Tire

---

20. Store the jack in its holder. Turn the jack's end bracket to lock it in place. Replace the cover. Store the tool kit.
21. Store the wheel cover or center cap in the trunk. Make sure they do not get scratched or damaged.

Diagnosing why your engine won't start falls into two areas, depending on what you hear when you turn the key to START (III):

- You hear nothing, or almost nothing. The engine's starter motor does not operate at all, or operates very slowly.
- You can hear the starter motor operating normally, but the engine does not start up and run.

### **Nothing Happens or the Starter Motor Operates Very Slowly**

When you turn the ignition switch to START (III), you do not hear the normal noise of the engine trying to start. You may hear a clicking sound or series of clicks, or nothing at all. Check these things:

- Check the transmission interlock. If you have a manual transmission, the clutch pedal must be pushed all the way to the floor or the starter will not operate. With an automatic transmission, it must be in Park or Neutral.
- Turn the ignition switch to ON (II). Turn on the headlights and check their brightness. If the headlights are very dim or don't light at all, the battery is discharged. See **Jump Starting** on page [196](#).

- Turn the ignition switch to START (III). If the headlights do not dim, check the condition of the fuses. If the fuses are OK, there is probably something wrong with the electrical circuit for the ignition switch or starter motor. You will need a qualified technician to determine the problem. (See **Towing** on page [209](#).)

If the headlights dim noticeably or go out when you try to start the engine, either the battery is discharged or the connections are corroded. Check the condition of the battery and terminal connections (see page [157](#)). You can then try jump starting the car from a booster battery (see page [196](#)).

## If Your Engine Won't Start, Jump Starting

### The Starter Operates Normally

In this case, the starter motor sounds normal when you turn the ignition switch to START (III), but the engine does not run.

- Are you using the proper starting procedure? Refer to **Starting the Engine** on page 113 .
- Do you have gas? Turn the ignition switch to ON (II) for a minute and watch the fuel gauge. The low fuel level warning light may not be working, so you were not reminded to fill the tank.
- There may be an electrical problem, such as no power to the fuel pump. Check all the fuses (see page 204 ).

If you find nothing wrong, you will need a qualified technician to find the problem. See **Towing** on page 209.

### Jump Starting

If your car's battery has run down, you may be able to start the engine by using a booster battery. Although this seems like a simple procedure, there are several precautions you should take. Follow the directions closely.

**A battery can explode if you do not follow the correct procedure, seriously injuring anyone nearby.**

**Keep all sparks, open flames, and smoking materials away from the battery.**

You cannot start a Honda with an automatic transmission by pushing or pulling it.

To jump start your car:

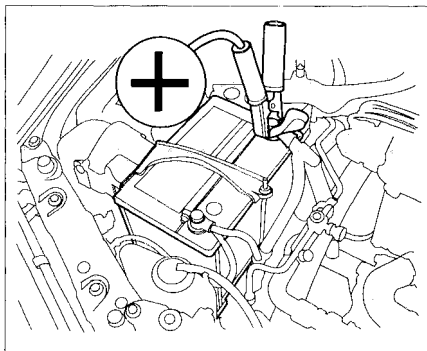
1. Open the hood and check the physical condition of the battery (see page 157 ). In very cold weather, check the condition of the electrolyte. If it seems slushy or like ice, do not try jump starting until it thaws.

#### NOTICE

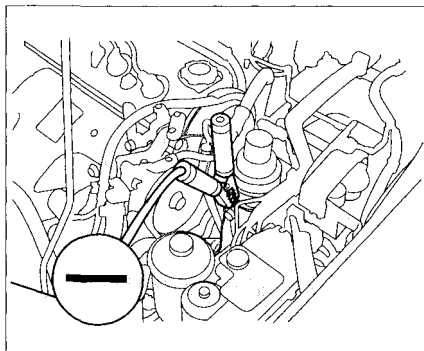
If a battery sits in extreme cold, the electrolyte inside can freeze. Attempting to jump start with a frozen battery can cause it to rupture or explode.

2. Turn off all the electrical accessories: heater, A/C, stereo system, lights, etc.  
Put the transmission in Neutral or Park and set the parking brake.



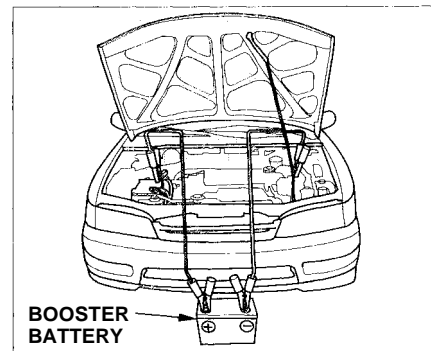


3. Connect one jumper cable to the positive (+) terminal on the booster battery. Connect the other end to the positive (+) terminal on your Honda's battery.



4. Connect the second jumper cable to the negative (-) terminal on the booster battery. Connect the other end to the grounding strap as shown. Do not connect this jumper cable to any other part of the engine.

5. If the booster battery is in another car, have an assistant start that car and run it at a fast idle.



6. Start your car. If the starter motor still operates slowly, check the jumper cable connections to make sure they have good metal-to-metal contact.

7. Once your car is running, disconnect the negative cable from your car, then from the booster battery. Disconnect the positive cable from your car, then the booster battery.

## If Your Engine Overheats

---

The pointer of your car's temperature gauge should stay in the mid-range under most conditions. It may go higher if you are driving up a long steep hill on a very hot day. If it climbs to the red mark, you should determine the reason.

### NOTICE

Driving with the temperature gauge pointer at the red mark can cause serious damage to your engine.

Your car can overheat for several reasons, such as lack of coolant or a mechanical problem. The only indication may be the temperature gauge climbing to or above the red mark. Or you may see steam or spray coming from under the hood. In either case, you should take immediate action.

**Steam and spray from an overheated engine can seriously scald you.**

**Do not open the hood if steam is coming out.**

1. Safely pull to the side of the road. Put the transmission in neutral or park and set the parking brake. Turn off the heating and cooling system and all other accessories. Turn on the hazard warning indicators.
2. If you see steam and/or spray coming from under the hood, turn off the engine.
3. If you do not see steam or spray, leave the engine running and watch the temperature gauge. If the high heat is due to overloading (climbing a long, steep hill on a hot day with the A/C running, for example), the engine should start to cool down almost immediately. If it does, wait until the temperature gauge comes down to the mid-point then continue driving.

4. If the temperature gauge stays at the red mark, turn off the engine.
5. Wait until you see no more signs of steam or spray, then open the hood.
6. Look for any obvious coolant leaks, such as a split radiator hose. Everything is still extremely hot, so use caution. If you find a leak, it must be repaired before you continue driving (see **Towing** on page 209).
7. If you don't find an obvious leak, check the coolant level in the radiator reserve tank (see page 143). If the level is below the MIN mark, add coolant to half-way between the MIN and MAX marks.
8. If there was no coolant in the reserve tank, you may also have to add coolant to the radiator. Let the engine cool down until the pointer

reaches the middle of the temperature gauge, or lower, before checking the radiator.

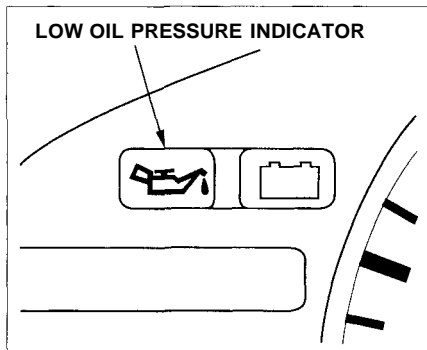
**Removing the radiator cap while the engine is hot can cause the coolant to spray out, seriously scalding you.**

**Always let the engine and radiator cool down before removing the radiator cap.**

9. Using gloves or a large heavy cloth, turn the radiator cap counterclockwise, without pushing down, to the first stop. This releases any remaining pressure in the cooling system. After the pressure releases, push down on the cap and turn it until it comes off.

10. Start the engine and set the heater control dial to maximum. Add coolant to the radiator up to the base of the filler neck. If you do not have the proper coolant mixture available, you can add plain water. Remember to have the cooling system drained and refilled with the proper mixture as soon as you can.
11. Put the radiator cap back on tightly. Run the engine and watch the temperature gauge. If it goes back to the red mark, the engine needs repair. (See **Towing** on page 209).
12. If the temperature stays normal, check the coolant level in the radiator reserve tank. If it has gone down, add coolant to the MAX mark. Put the cap back on tightly.

## Low Oil Pressure

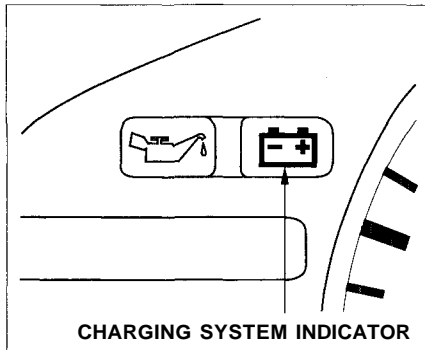


The low oil pressure indicator should never come on when the engine is running. If this light comes on with the engine running, take immediate

### NOTICE

Running the engine with low oil pressure can cause serious mechanical damage almost immediately. Turn off the engine as soon as you can safely get the car stopped.

1. Safely pull off the road and shut off the engine.
2. Let the car sit for a minute. Open the hood and check the oil level (see page 139 ). Although oil level and oil pressure are not directly connected, an engine that is very low on oil can lose pressure during cornering and other driving maneuvers.
3. If necessary, add oil to bring the level back to the full mark on the dipstick (see page 139 ).
4. Start the engine and watch the oil pressure light. If the light does not go out within ten seconds, turn off the engine. There is a mechanical problem that needs to be repaired before you can continue driving. (See **Towing** on page 209 .)

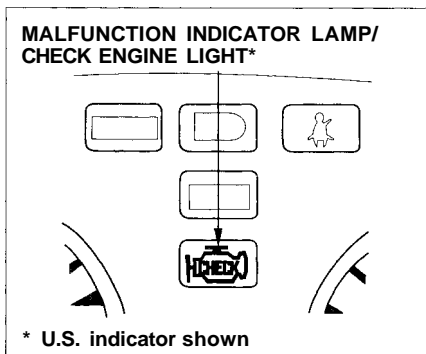


The charging system indicator should go out after the engine starts. If it comes on brightly with the engine running, the alternator is no longer charging the battery.

Immediately turn off all electrical accessories: radio, heater, A/C, rear defogger, cruise control, etc. Try not to use other electrically-operated controls such as the power windows. Keep the engine running and take extra care not to stall it. Starting the engine will discharge the battery rapidly.

By eliminating as much of the electrical load as possible, you can drive several miles before the battery is too discharged to keep the engine running. Drive to a service station or garage where you can get technical assistance.

## Malfunction Indicator Lamp/Check Engine Light



If this indicator comes on while driving, there is a problem with your engine or its emission control systems. Even though you may feel no difference in your car's performance, it can reduce your fuel economy and cause your car to put out excessive emissions. Continued operation may cause serious engine damage.

If this indicator light comes on, safely pull off the road and turn off the engine. Restart the engine and watch the indicator light. If it stays on, have your car checked by the dealer as soon as possible. Drive moderately until the dealer has inspected the problem. Avoid full-throttle acceleration and driving at high speed.

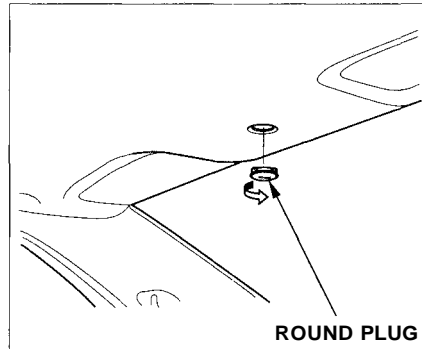
You should also have the dealer inspect your car if the indicator light comes on frequently, even though it goes off when you follow the above procedure.

### NOTICE

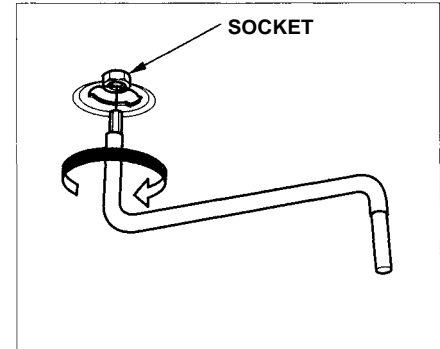
If you keep driving with the malfunction indicator lamp/check engine light on, you can damage your car's emission controls and engine. Those repairs may not be covered by your car's warranties.

If the electric motor will not close the moonroof, do the following:

1. Check the fuse for the moonroof motor (see page 204 ). If the fuse is blown, replace it with one of the same or lower rating.
2. Try closing the moonroof. If the new fuse blows immediately or the moonroof motor still does not operate, you can close the moonroof manually.
3. Get the tool kit out of the trunk.



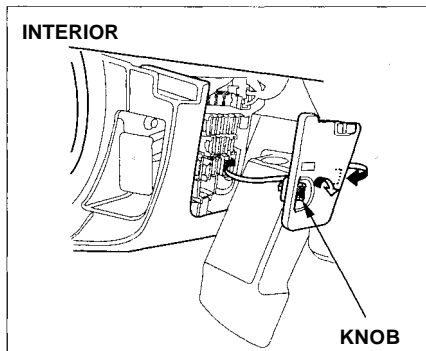
4. Use a screwdriver or coin to remove the round plug in the center of the headliner.



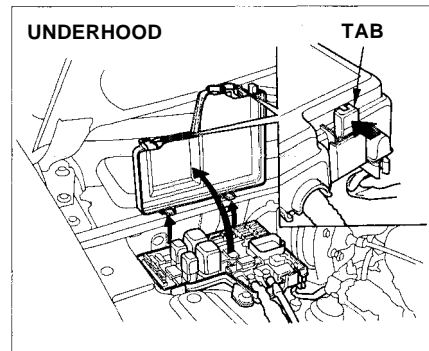
5. Insert the moonroof wrench into the socket behind this plug. Turn the wrench until the moonroof is fully closed.
6. Remove the wrench. Replace the round plug.

## Fuses

All the electrical circuits in your car have fuses to protect them from a short circuit or overload. These fuses are located in two or three fuse boxes.

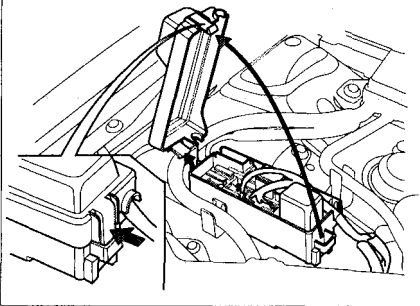


The interior fuse box is underneath the dashboard on the driver's side. To open, turn the knob as shown.



The underhood fuse box is located in the front of the engine compartment on the passenger's side. To open, push the tab as shown.



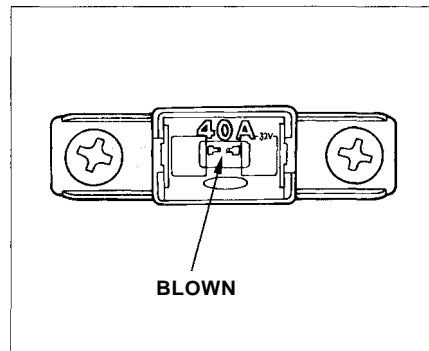
**ABS FUSE BOX**

Cars equipped with ABS have a third fuse box for the ABS. It is in the engine compartment on the right side.

**Checking and Replacing Fuses**

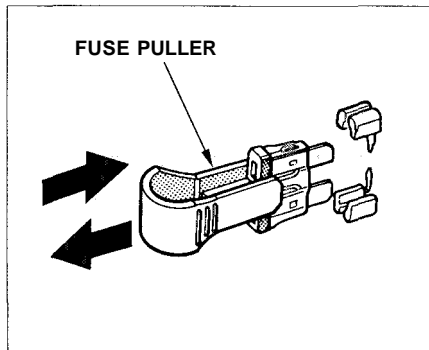
If something electrical in your car stops working, the first thing you should check for is a blown fuse. Determine from the chart on pages 207 and 208, or the diagram on the fuse box lid, which fuse or fuses control that component. Check those fuses first, but check all the fuses before deciding that is not the cause. Replace any blown fuses and check the component's operation.

1. Turn the ignition switch to LOCK (0). Make sure the headlights and all other accessories are off.
2. Remove the cover from the fuse box.

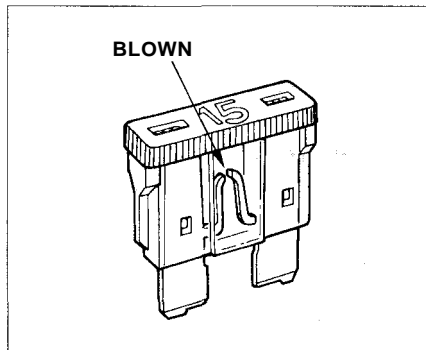


3. Check each of the large fuses in the underhood fuse box by looking through the top at the wire inside. Removing these fuses requires a Phillips-head screwdriver.

*CONTINUED*



4. Check the smaller fuses in the underhood fuse box and all the fuses in the interior fuse box by pulling out each fuse with the fuse puller provided in the interior fuse box.



5. Look for a burned wire inside the fuse. If it is burned out, replace it with one of the spare fuses of the same rating or lower.

If you cannot drive the car without fixing the problem, and you do not have a spare fuse, take a fuse of the same rating or a lower rating from one of the other circuits. Make sure you can do without that circuit temporarily (such as the cigarette lighter, or radio).

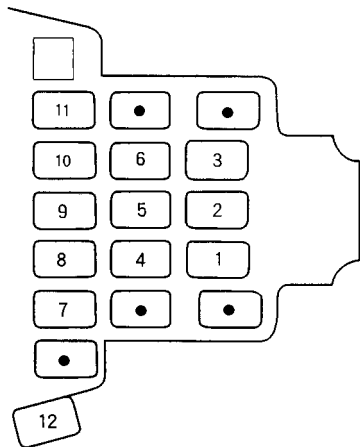
If you replace the blown fuse with a spare fuse that has a lower rating, it might blow out again. This does not indicate anything wrong. Replace the fuse with one of the correct rating as soon as you can.

### NOTICE

Replacing a fuse with one that has a higher rating greatly increases the chances of damaging the electrical system. If you do not have a replacement fuse with the proper rating for the circuit, install one with a lower rating.

6. If the replacement fuse of the same rating blows in a short time, there is probably a serious electrical problem in your car. Leave the blown fuse in that circuit and have your car checked by a qualified technician.

## INTERIOR FUSE BOX



● Spare Fuse

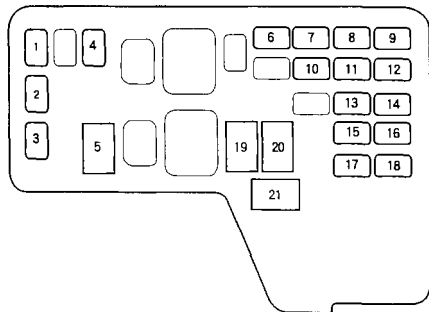
No.	Amps.	Circuits Protected
1	10 A	Back-up Lights, Meter Lights (Turn Signal)
2	15 A	Fuel Pump
3	10 A	SRS
4	7.5 A	ECU (Cruise Control), TCM
5	—	Not used
6	30 A	Wiper, Washer
7	7.5 A	Power Mirror
8	7.5 A	Heater Control Relay, A/C Clutch Relay, Cooling Fan Relay
9	7.5 A	Starter Signal
10	7.5 A	Daytime Running Light*
11	—	Not used
12	7.5 A	Turn Signals

\* : On Canadian cars

CONTINUED

# Fuses

## UNDERHOOD FUSE BOX



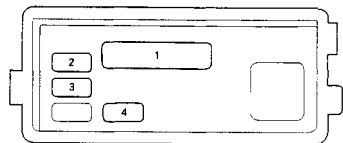
No.	Amps.	Circuits Protected
1	20 A	Cooling Fan
2	20 A	Right Headlight
3	20 A	Left Headlight
4	10 A	Daytime Running Light * <sup>1</sup>
5	50 A	Ignition Switch
6	20 A	Right Power Window
7	30 A	Moonroof
8	15 A	Condenser Fan
9	7.5 A	Back Up (Radio)
10	20 A	Left Power Window
11	15 A	EFI, ECM (Injector)

No.	Amps.	Circuits Protected
12	20 A	Door Lock
13	15 A	Small Light
14	7.5 A	Interior Light
15	20 A	Power Seat Height
16	15 A	Radio, Cigarette Lighter
17	20 A	Stop Light, Horn
18	15 A	Hazard
19	40 A	Heater Blower
20	40 A	Rear Defroster
21	80 A 100 A * <sup>2</sup>	Battery

\* 1: On Canadian cars

\*2 : US: EX, Canada: EX-R

## ABS FUSE BOX



No.	Amps.	Circuits Protected
1	40 A	ABS Motor
2	20 A	ABS B1
3	15 A	ABS B2
4	10 A	ABS Unit

If your car needs to be towed, call a professional towing service or, if you belong to one, an organization that provides roadside assistance. Never tow your car behind another car with just a rope or chain. It is very dangerous.

### Emergency Towing

There are three popular methods of towing a car:

**Flat-bed Equipment** — The operator loads your car on the back of a truck. **This is the best way of transporting your Honda.**

**Wheel Lift Equipment** — The tow truck uses two pivoting arms that go under the tires (front or rear) and lift them off the ground. The other two wheels remain on the ground.

**Sling-type Equipment** — The tow truck uses metal cables with hooks on the ends. These hooks go around parts of the frame or suspension and the cables lift that end of the car off the ground. Your car's suspension and body can be seriously damaged if this method of towing is attempted.

If your Honda cannot be transported by flat-bed, it should be towed with the front wheels off the ground. If due to damage, your car must be towed with the front wheels on the ground, do the following:

#### *5-speed Manual Transmission*

- Release the parking brake.
- Shift the transmission to Neutral.

#### *Automatic Transmission*

- Release the parking brake.
- Start the engine.
- Shift to D4, then to N.
- Turn off the engine.

### NOTICE

Improper towing preparation will damage the transmission. Follow the above procedure exactly. If you cannot shift the transmission or start the engine (automatic transmission), your car must be transported on a flat-bed.

- It is best to tow the car no farther than 80 km (50 miles), and keep the speed below 35 mph (55 km/h).

### NOTICE

Trying to lift or tow your car by the bumpers will cause serious damage. The bumpers are not designed to support the car's weight.

The diagrams in this section give you the dimensions and capacities of your Honda, and the locations of the identification numbers. The explanations of several electronic and mechanical systems on your Honda are for the more technically-oriented owner.

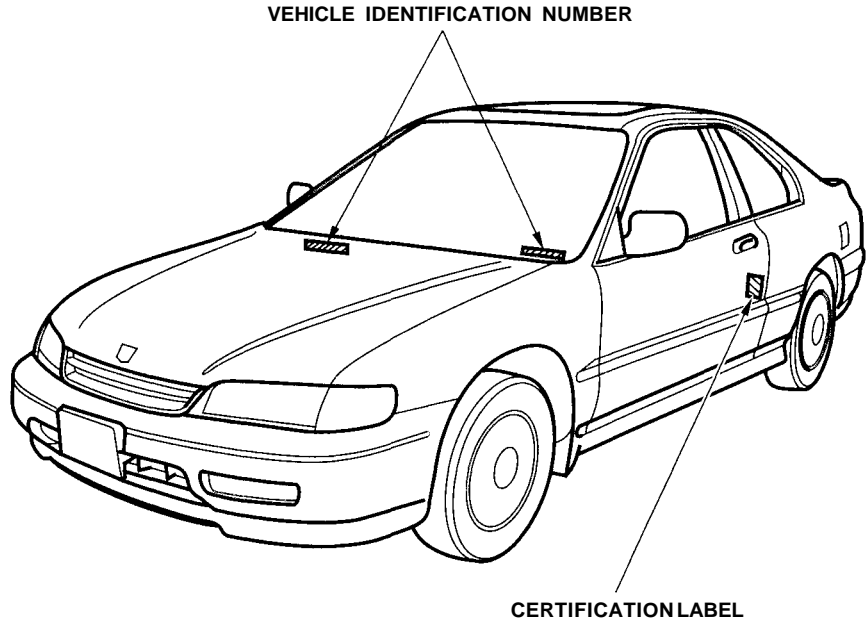
Identification Numbers .....	212	Emission Controls.....	221
Specifications.....	214	The Clean Air Act.....	221
Anti-lock Brake System.....	216	Crankcase Emission Control	
Supplemental Restraint System...	217	System.....	221
Tire Information.....	218	Evaporative Emission Control	
Tire Size Designation.....	218	System.....	221
Wheel Size Designation.....	218	Exhaust Emission Controls.....	222
Tire Speed Ratings.....	218	PGM-FI System.....	222
Tire Pressure Adjustment		Ignition Timing Control	
For High Speed Driving.....	219	System.....	222
DOT Tire Quality Grading.....	219	Exhaust Gas Recirculation	
Treadwear.....	219	(EGR) System.....	222
Traction.....	220	Three Way Catalytic	
Temperature.....	220	Converter.....	222
		Replacement Parts.....	222
		Three Way Catalytic Converter...	223

## Identification Numbers

---

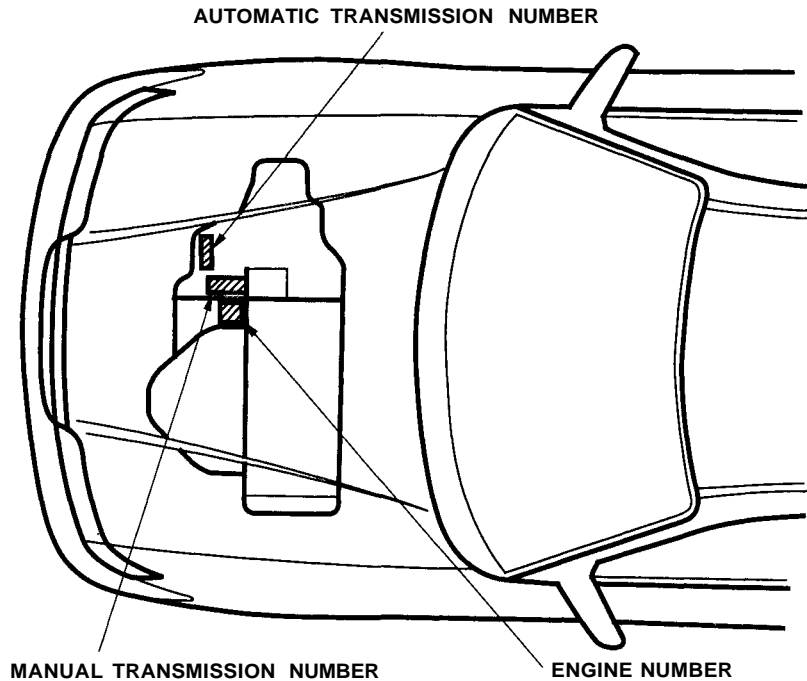
Your car has several identifying numbers located in various places.

The Vehicle Identification Number (VIN) is the 17-digit number your Honda dealer uses to register your car for warranty purposes. It is also necessary for licensing and insuring your car. The easiest place to find the VIN is on a plate fastened to the top of the dashboard. You can see it by looking through the windshield on the driver's side. It is also on the Certification label attached to the driver's door jamb, and is stamped on the engine compartment bulkhead. The VIN is also provided in bar code on the Certification label.



The Engine Number is stamped into the engine block. It is on the front.

The Transmission Number is on a label on top of the transmission.





# Specifications

## Dimensions

Length	4,675 mm (184.1 in)
Width	1,780 mm (70.1 in)
Height	1,390 mm (54.7 in)
Wheelbase	2,715 mm (106.9 in)
Track	1,515 mm (59.6 in)
Front	
Rear	1,500 mm (59.1 in)

## Weights

Gross vehicle weight rating	See the certification label attached to the driver's door jamb.
-----------------------------	---

## Air Conditioning

Refrigerant type	HFC-134a (R-134a)
Charge quantity	600–650 g (21–23 oz)
Lubricant type	Daphne Hermetic S10X * <sup>1</sup> ND-OIL8 * <sup>2</sup>

\*1 : US: EX, Canada: EX-R

\*2 : US: DX, LX, Canada: LX

(Air conditioning is optional on U.S. DX and Canadian LX models)

## Capacities

Fuel tank		Approx. 64.5 ℓ (17.04 US gal, 14.19 Imp gal)
Engine coolant	Change * <sup>1</sup>	
	Manual	5.4 ℓ (1.43 US gal, 1.19 Imp gal)
	Automatic	5.3 ℓ (1.40 US gal, 1.17 Imp gal)
	Total	
	Manual	6.9 ℓ (1.82 US gal, 1.52 Imp gal)
	Automatic	6.8 ℓ (1.80 US gal, 1.50 Imp gal)
Engine oil	Change * <sup>2</sup>	
	Including filter	3.8 ℓ (4.0 US qt, 3.3 Imp qt)
	Without filter	4.3 ℓ (4.5 US qt, 3.8 Imp qt) * <sup>3</sup>
	Total	4.9 ℓ (5.2 US qt, 4.3 Imp qt)
	Total	5.6 ℓ (5.9 US qt, 4.9 Imp qt) * <sup>3</sup>
Manual transmission oil	Change	1.9 ℓ (2.0 US qt, 1.7 Imp qt)
	Total	2.0 ℓ (2.1 US qt, 1.8 Imp qt)
Automatic transmission fluid	Change	2.4 ℓ (2.5 US qt, 2.1 Imp qt)
	Total	6.0 ℓ (6.3 US qt, 5.3 Imp qt)
Windshield washer reservoir	US Cars	2.5 ℓ (2.6 US qt, 2.2 Imp qt)
	Canada Cars	4.5 ℓ (4.8 US qt, 4.0 Imp qt)

\*1 : Including the coolant in the reserve tank and that remaining in the engine.

Reserve tank capacity:  
0.6 ℓ (0.16 US gal, 0.13 Imp gal)

\*2 : Excluding the oil remaining in the engine.

\*3 : US: EX, Canada: EX-R

## Lights

Headlights	High	12 V – 65 W
	Low	12 V – 55 W
Front turn signal lights		12 V – 21 W
Front parking lights		12 V – 6 CP (5 W)
Front side marker lights		12 V – 5 W
Rear turn signal lights		12 V – 32 CP (21 W)
Stop/Taillights		12 V – 43/3 CP (27/5 W)
Back-up lights		12 V – 32 CP (21 W)
Rear side marker lights		12 V – 3 CP
License plate lights		12 V – 8 W
Ceiling lights		12 V – 5 W
High mount brake light		12 V – 21 W
Trunk lights		12 V – 3.4 W
Door courtesy lights		12 V – 3.4 W
Vanity mirror light		12 V – 1.8 W

## Battery

Capacity	12 V – 65 AH/20 HR
----------	--------------------

## Fuses

Interior	See page 207 or the fuse label attached to the inside of the fuse box door under the dashboard.
Underhood	See page 208 or the fuse box cover.

## Engine

Type	Water cooled 4-stroke SOHC 4-cylinder gasoline engine	
Bore x Stroke	85.0 x 95.0 mm (3.35 x 3.74 in)	
Displacement	2,156 cm <sup>3</sup> (132 cu-in)	
Compression ratio	8.8 : 1	
Spark plugs	See spark plug maintenance section page 156.	

## Alignment

Toe-in	Front	0.0 mm (0.00 in)
	Rear	2.0 mm (0.08 in)
Camber	Front	0°
	Rear	-0°25'
Caster	Front	3°00'

## Tires

Size	Front/Rear	P185/70R14 87S *1 195/60R15 88H *2
	Spare	T115/70D14 T135/90D15 *3
	Pressure	Front/Rear 220 kPa (2.2 kg/cm <sup>2</sup> , 32 psi) Spare 420 kPa (4.2 kg/cm <sup>2</sup> , 60 psi)

\*1 : US: DX, LX, Canada: LX

\*2 : US: EX, Canada: EX-R

\*3 : US: DX, LX with ABS, EX, Canada: LX with ABS, EX-R

## Anti-lock Brake System

---

The Anti-lock Brake System (ABS) is standard equipment on the EX model in the U.S. and the EX-R model in Canada. It is optional on the DX and LX models in the U.S. and the LX model in Canada.

The ABS works by measuring how fast the wheels are turning during braking and comparing their speed. If any wheel is rotating much slower than the others (on the verge of locking up and skidding), the system reduces hydraulic pressure to that wheel's brake caliper. When that wheel's speed matches the other wheels, the system applies normal hydraulic pressure. This can take place several times per second at each wheel. You feel the ABS working as rapid pulsations in the brake pedal.

Each wheel has a wheel speed sensor assembly. As the wheel rotates, the sensor sends electrical pulses to the ABS control unit. The pulse frequency varies with the wheel speed.

The electrical output of the ABS control unit is connected to the modulator/solenoid unit. During braking, the ABS control unit monitors the pulse frequencies from the four wheels. When the control unit detects a wheel locking up, it energizes the appropriate solenoid in the modulator/solenoid unit. There are six solenoids: two for each front wheel, and two for the rear wheels. The energized solenoid reduces hydraulic pressure to one side of a modulator valve. This, in turn, reduces hydraulic pressure in the brake line going to the affected wheel. When that wheel speeds up because of the reduced braking effort, the control unit de-energizes

the solenoid. This builds hydraulic pressure on the modulator valve. The pressure increases in the hydraulic line to the wheel.

For the system to react quickly, the modulator/solenoid unit must have brake fluid under high pressure. This is supplied by a piston-type accumulator that is pressurized by an electric pump. A pressure-sensing switch on the accumulator controls this pump.

The control unit also contains error detection circuitry. It monitors the operation of the wheel sensors, solenoids, pump, and electronics. If the control unit detects any faults, it shuts off power to the pump motor and solenoids. The light on the instrument panel comes on. The brakes then work like a conventional system without anti-lock capabilities.

The SRS includes the steering wheel airbag assembly, sensors in the dashboard, and a control unit with sensors behind the center console.

The system also has a dashboard-mounted airbag assembly for the passenger.

The sensors are decelerometers, set to trigger in a severe frontal impact that generates more force than a 25 mile per hour crash into a parked vehicle of similar size. For the SRS to activate, at least two sensors must trigger. This duplication is to prevent accidental activation.

When the control unit receives trigger signals from at least two sensors, it sends voltage to the airbag. The control unit stores this charge in capacitors to insure reliability even if a severe impact damages the car's battery or electrical connections.

The electrical charge sent to the airbag assembly ignites its propellant, which burns instantaneously. The gas produced by the burning propellant inflates the airbag instantly.

The airbag is vented so it stays inflated for only an instant and does not block the driver's vision. Smoke from the burned propellant comes out of the airbag and into the car's interior. This is normal and does not mean there is a fire. The airbag collapses onto the driver's lap.

The airbag unit can inflate only one time. After use, your Honda dealer must check the complete Supplemental Restraint System and replace the airbag assembly.

To ensure long-term reliability, the SRS uses gold-plated electrical connections throughout. Exposed components are sealed with epoxy. The control unit monitors the SRS circuitry whenever the ignition is ON (II). If the control unit senses any faults, it turns on the SRS indicator light on the instrument panel. Take the car to your Honda dealer to diagnose and repair the system as soon as possible.

The SRS needs no regular maintenance other than an inspection by your Honda dealer ten years after manufacture.

## Tire Information

### Tire Size Designation

A tire's sidewall is marked with a tire size designation. You will need this information when selecting replacement tires for your car. The following explains what the letters and numbers in the tire size designation mean.

(Example tire size designation)

P185/70R14 87S

**P** — Applicable vehicle type (tires marked with the prefix "P" are intended for use on passenger cars; however, not all tires have this marking).

**185** — Tire width in millimeters.

**70** — Aspect ratio. The tire's section height as a percentage of its width.

**R** — Tire construction code (Radial).

**14** — Rim diameter in inches.

**87** — Load Index, a numerical code associated with the maximum load the tire can carry.

**S** — Speed Rating Symbol. See the speed rating chart in this section for additional information.

### Wheel Size Designation

Wheels are also marked with important information that you need if you ever have to replace one. The following explains what the letters and numbers in the wheel size designation mean.

(Example wheel size designation)

15 x 5-1/2 JJ

**15** — Rim diameter in inches.

**5-1/2** — Rim width in inches.

**JJ** — Rim contour designation.

### Tire Speed Ratings

The chart below shows many of the different speed ratings currently being used for passenger car tires. The speed rating symbol is part of the tire size designation on the sidewall of the tire. This symbol corresponds to that tire's designed maximum safe operating speed.

Speed Rating Symbol	Maximum Speed
S	112 mph (180 km/h)
T	118 mph (190 km/h)
H	130 mph (210 km/h)
V	149 mph (240 km/h)
Z	Above 149 mph (240 km/h)

## Tire Pressure Adjustment For High Speed Driving

Honda strongly recommends that you not drive faster than posted speed limits and conditions allow. If you decide it is safe to drive at high speeds, be sure to adjust the cold tire pressures as shown below. If you do not adjust the tire pressure, excessive heat can build up and cause sudden tire failure.

(US: LX, DX, Canada: LX)

Tire Size	Cold Tire Pressure for Speeds over 100 mph (160 km/h)
P185/70R14 87S	240 kPa (2.4 kg/cm <sup>2</sup> , 35 psi)

(US: EX, Canada: EX-R)

Tire Size	Cold Tire Pressure for Speeds over 100 mph (160 km/h)
195/60R15 88H	260 kPa (2.6 kg/cm <sup>2</sup> , 38 psi)

Be sure to readjust the pressure for normal driving speeds. You should wait until the tires are cold before adjusting the tire pressure (see page 163).

## DOT Tire Quality Grading (U.S. Cars)

The tires on your car meet all U.S. Federal Safety Requirements. All tires are also graded for treadwear, traction, and temperature performance according to Department of Transportation (DOT) standards. The following explains these gradings.

### *Treadwear*

The treadwear grade is a comparative rating based on the wear rate of the tire when tested under controlled conditions on a specified government test course. For example, a tire graded 150 would wear one and one half (1-1/2) times as well on the government course as a tire graded 100. The relative performance of tires depends upon the actual conditions of their use, however, and may depart significantly from the norm due to variations in driving habits, service practices and differences in road characteristics and climate.

CONTINUED

## Tire Information

---

### ***Traction***

The traction grades, from highest to lowest, are A, B, and C, and they represent the tire's ability to stop on wet pavement as measured under controlled conditions on specified government test surfaces of asphalt and concrete. A tire marked C may have poor traction performance.

Warning: The traction grade assigned to this tire is based on braking (straight ahead) traction tests and does not include cornering (turning) traction.

### ***Temperature***

The temperature grades are A (the highest), B, and C, representing the tire's resistance to the generation of heat and its ability to dissipate heat when tested under controlled conditions on a specified indoor laboratory test wheel. Sustained high temperature can cause the material of the tire to degenerate and reduce tire life, and excessive temperature can lead to sudden tire failure. The grade C corresponds to a level of performance which all passenger car tires must meet under the Federal Motor Vehicle Safety Standard No. 109. Grades B and A represent higher levels of performance on the laboratory test wheel than the minimum required by law.

Warning: The temperature grade for this tire is established for a tire that is properly inflated and not overloaded. Excessive speed, underinflation, or excessive loading either separately or in combination, can cause heat build-up and possible tire failure.

The burning of gasoline in your car's engine produces several byproducts. Some of these are carbon monoxide (CO), oxides of nitrogen (NOx) and hydrocarbons (HC). Gasoline evaporating from the tank also produces hydrocarbons. Controlling the production of NOx, CO, and HC is important to the environment. Under certain conditions of sunlight and climate, NOx and HC react to form photochemical "smog." Carbon monoxide does not contribute to smog creation, but it is a poisonous gas.

### **The Clean Air Act**

The United States Clean Air Act\* sets standards for automobile emissions. It also requires that automobile manufacturers explain to owners how their emission controls work and what to do to maintain them. This section summarizes how the emission controls work. Scheduled maintenance is on page [133](#).

\* In Canada, Honda vehicles comply with the Canadian Motor Vehicle Safety Standards (CMVSS) for Emissions valid at the time they are manufactured.

### **Crankcase Emission Control System**

Your car has a Positive Crankcase Ventilation System. This keeps gasses that build up in the engine's crankcase from going into the atmosphere. The Positive Crankcase Ventilation valve routes them from the crankcase back to the intake manifold. They are then drawn into the engine and burned.

### **Evaporative Emission Control System**

As gasoline evaporates in the fuel tank, an evaporative emission control canister filled with charcoal adsorbs the vapor. It is stored in this canister while the engine is off. After the engine is started and warmed up, the vapor is drawn into the engine and burned during driving.



# Emission Controls

---

## **Exhaust Emission Controls**

The exhaust emission controls include four systems: PGM-FI, Ignition Timing Control, Exhaust Gas Recirculation and Three Way Catalytic Converter. These four systems work together to control the engine's combustion and minimize the amount of HC, CO, and NOx that comes out the tailpipe. The exhaust emission control systems are separate from the crankcase and evaporative emission control systems.

### ***PGM-FI System***

The PGM-FI System uses sequential multiport fuel injection.

It has three subsystems: Air Intake, Engine Control, and Fuel Control. The Engine Control Module (ECM) uses various sensors to determine how much air is going into the engine. It then controls how much fuel to inject under all operating conditions.

### ***Ignition Timing Control System***

This system constantly adjusts the ignition timing, reducing the amount of HC, CO and NOx produced.

### ***Exhaust Gas Recirculation (EGR) System***

The Exhaust Gas Recirculation (EGR) system takes some of the exhaust gas and routes it back into the intake manifold. Adding exhaust gas to the air/fuel mixture reduces the amount of NOx produced when the fuel is burned.

### ***Three Way Catalytic Converter***

The three way catalytic converter is in the exhaust system. Through chemical reactions, it converts HC, CO, and NOx in the engine's exhaust to carbon dioxide (CO<sub>2</sub>), dinitrogen (N<sub>2</sub>), and water vapor.

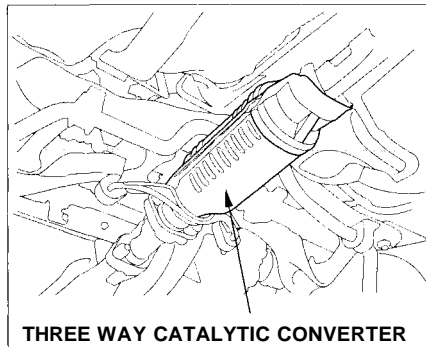
## **Replacement Parts**

The emission control systems are designed and certified to work together in reducing emissions to levels that comply with the Clean Air Act. To make sure the emissions remain low, you should use only new genuine Honda replacement parts or their equivalent for repairs. Using lower quality parts may increase the emissions from your car.

The emissions control systems are covered by warranties separate from the rest of your car. Read your warranty manual for more information.

The three way catalytic converter contains platinum, palladium and rhodium. These metals serve as catalysts, promoting chemical reactions to convert the exhaust gasses without affecting the metals. The catalytic converter is referred to as a three-way catalyst, since it acts on HC, CO, and NOx. A replacement unit must be an original Honda part or its equivalent.

The three way catalytic converter must operate at a high temperature for the chemical reactions to take place. It can set on fire any combustible materials that come near it. Park your car away from high grass, dry leaves, or other flammables.



A defective three way catalytic converter contributes to air pollution, and can impair your engine's performance. Follow these guidelines to protect your car's three way catalytic converter.

- Always use unleaded gasoline. Even a small amount of leaded gasoline can contaminate the catalyst metals, making the three way catalytic converter ineffective.

- Keep the engine tuned-up.
- Have your car diagnosed and repaired if it is misfiring, back-firing, stalling, or otherwise not running properly.

Warranty Coverages .....	226
Customer Relations Information .....	227
Reporting Safety Defects (U.S. cars) .....	228
U.S. Zone Office Map .....	229
Canada Zone Office Map .....	230
Authorized Manuals .....	231

## Warranty Coverages

---

### U.S. Cars

Your new Honda is covered by these warranties:

**New Car Limited Warranty** — covers your new car, except for the battery, emissions control systems and accessories, against defects in materials and workmanship.

**Emissions Control Systems Defects Warranty and Emissions Performance Warranty** — these two warranties cover your car's emissions control systems. Time, mileage, and coverage are conditional. Please read the warranty manual for exact information.

**Original Equipment Battery Limited Warranty** — this warranty gives up to 100% credit toward a replacement battery.

**Seat Belt Limited Warranty** — a seat belt that fails to function properly is covered for the useful life of the car.

**Rust Perforation Limited Warranty** — all exterior body panels are covered for rust-through from the inside for the specified time period with no mileage limit.

**Accessory Limited Warranty** — Genuine Honda Accessories are covered under this warranty. Time and mileage limits depend on the type of accessory and other factors. Please read your warranty manual for details.

**Replacement Parts Limited Warranty** — covers all Genuine Honda replacement parts against defects in materials and workmanship.

**Replacement Battery Limited Warranty** — provides prorated coverage for a replacement battery purchased from a Honda dealer.

**Replacement Muffler Lifetime Limited Warranty** — provides coverage for as long as the purchaser of the muffler owns the car.

Restrictions and exclusions apply to all these warranties. Please read the 1994 Honda Warranties booklet that came with your car for precise information on warranty coverages. Your Honda's original tires are covered by their manufacturer. Tire warranty information is in a separate booklet.

### Canada Cars

Please refer to the 1994 Warranty and Maintenance Guide that came with your car.

Honda dealership personnel are trained professionals. They should be able to answer all your questions. If you encounter a problem that your dealership does not solve to your satisfaction, please discuss it with the dealership's management. The Service Manager or General Manager can help. Almost all problems are solved in this way.

If you are dissatisfied with the decision made by the dealership's management, contact your Honda Customer Relations Zone Office. Refer to the U.S. and Canadian Zone Office maps on the following pages.

When you call or write, please give us this information:

- Vehicle Identification Number (see page [212](#) )
- Name and address of the dealer who services your car
- Date of purchase
- Mileage on your car
- Your name, address, and telephone number
- A detailed description of the problem
- Name of the dealer who sold the car to you

## Reporting Safety Defects (U.S. Cars)

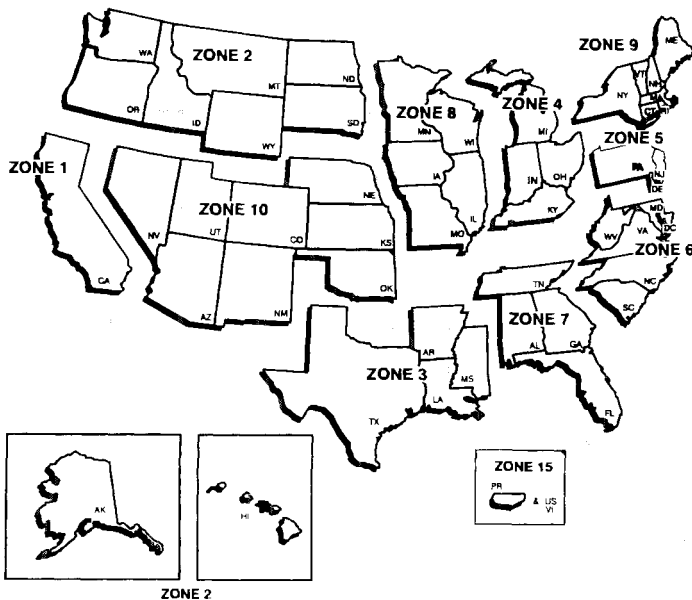
---

If you believe that your vehicle has a defect which could cause a crash or could cause injury or death, you should immediately inform the National Highway Traffic Safety Administration (NHTSA) in addition to notifying American Honda Motor Co., Inc.

If NHTSA receives similar complaints, it may open an investigation, and if it finds that a safety defect exists in a group of vehicles, it may order a recall and remedy campaign. However, NHTSA cannot become involved in individual problems between you, your dealer, or American Honda Motor Co., Inc.

To contact NHTSA, you may either call the Auto Safety Hotline toll-free at 1-800-424-9393 (or 366-0123 in Washington D.C. area) or write to: NHTSA, U.S. Department of Transportation, Washington, D.C. 20590. You can also obtain other information about motor vehicle safety from the Hotline.

# U.S. Zone Office Map



The addresses and telephone numbers are subject to change. If you cannot reach your Zone office, ask your Honda dealer for the current information.

**1** Western Zone  
P.O. Box 2260  
700 Van Ness Avenue  
Torrance, California  
90509-2260  
(310) 781-4565

**2** Northwestern Zone  
P.O. Box 20186  
12439 N.E. Airport Way  
Portland, Oregon 97220  
(503) 256-0943  
(also includes Alaska and Hawaii)

**3** South Central Zone  
4529 Royal Lane  
Irving, Texas 75063  
(214) 929-5481

**4** Central Zone  
101 South Stanfield Road  
Troy, Ohio 45373  
(513) 332-6250

**5** Northeastern Zone  
P.O. Box 337  
Eastgate Industrial Park  
115 Gaither Drive  
Moorestown, New Jersey 08057  
(609) 235-5533  
Includes: NYC Metro area and  
Fairfield County, CT area

**6** Mid-Atlantic Zone  
902 Wind River Ln., Suite 200  
Gaithersburg, Maryland 20878  
(301) 990-2020

**7** Southeastern Zone  
1500 Morrison Parkway  
Alpharetta, Georgia 30201  
(404) 442-2045

**8** North Central Zone  
601 Campus Drive, Suite A-9  
Arlington Heights, Illinois 60004  
(708) 870-5600

**9** New England Zone  
555 Old County Road  
Windsor Locks, Connecticut 06096  
(203) 623-3310  
See Zone 5 for:  
NYC Metro area and  
Fairfield County, CT area

**10** West Central Zone  
1600 South Abilene Street, Suite D  
Aurora, Colorado 80012  
(303) 696-3935

**15** Puerto Rico and U.S. V.I.  
Bella International  
P.O. Box 190816  
San Juan, PR 00919-0816  
(809) 250-8070

## Canada Zone Office Map

---



### **Western Zone**

Honda Canada inc.  
13240 Worster Court  
Richmond, B.C.  
V6V 2B8  
(604)278-7121

### **Quebec Zone**

Honda Canada Inc.  
1750 rue Eiffel  
Boucherville, Quebec  
J4B 7W1  
(514) 655-6161

### **Central Zone**

Honda Canada Inc.  
126 Milner Avenue  
Scarborough, Ontario  
M1S 3R2  
(416) 299-3400

### **Atlantic Zone**

Honda Canada Inc.  
800 Windmill Road  
Dartmouth, N.S.  
B3B 1L1  
(902) 468-4416



**A**

Accessories	
Installation.....	109
ACCESSORY (Ignition Key	
Position).....	50
Adding	
Automatic Transmission	
Fluid.....	148
Brake Fluid.....	150
Clutch Fluid.....	151
Engine Coolant.....	144
Engine Oil.....	139
Manual Transmission Fluid....	149
Power Steering Fluid.....	151
Windshield Washer Fluid.....	147
Additional Safety Information.....	17
Door Locks.....	18
Driving with Pets.....	18
Head Restraint Position.....	17
Seat-back Position.....	17
Storing Cargo Safely.....	18
Additives, Engine Oil.....	141
Adjustments	
Mirrors.....	60
Head Restraints.....	56

Seats.....	55
Steering Wheel.....	44
Airbag (SRS).....	11
Air Cleaner.....	152
Air Conditioning.....	72
Maintenance.....	161
Usage.....	74
Air Outlets (Vents).....	70
Air Pressure, Tires.....	163, X
Alcohol and Drugs.....	26
Alcohol in Gasoline.....	102
Antifreeze.....	143
Anti-lock Brakes (ABS)	
Description.....	216
Indicator Light.....	35, 122
Operation.....	122
Anti-theft Steering Column Lock ..	50
Appearance Care.....	179
Ashtray.....	66
Audio System.....	77
Automatic Speed Control.....	46
Automatic Transmission.....	116
Capacity, Fluid.....	214
Checking Fluid Level.....	148
Shifting.....	116
Shift Lever Positions.....	117

Shift Lock Release.....	120
-------------------------	-----

**B**

Battery	
Charging System Light.....	34
Jump Starting.....	196
Maintenance.....	156
Specifications.....	215
Before Driving.....	101
Belts, Seat.....	5
Beverage Holder.....	64
Body Repair.....	186
Brakes	
Anti-lock System (ABS).....	122
Break-in, New Linings .....	102
Fluid.....	149
Light, Burned-out.....	172
Parking.....	62
System Indicator.....	34
Wear Indicators.....	121
Brakes, ABS	
Description.....	216
Operation.....	122
System Indicator.....	35, 122

CONTINUED

# Index

Braking System.....	121
Break-in, New Car.....	102
Brightness Control, Instruments...	41
Brights, Headlights.....	40
Bulb Replacement	
Back-up Lights.....	172
Brake Lights.....	172
Ceiling Light.....	175
Front Parking Lights.....	171
Front Side Marker Lights.....	171
Headlights.....	168
High-mount Brake Light.....	174
License Plate Lights.....	174
Rear Side Marker Lights.....	173
Specifications.....	214
Turn Signal Lights.....	170
Bulbs, Halogen.....	169

## C

Cables, Jump Starting With.....	196
Capacities Chart.....	214
Carbon Monoxide Hazard.....	27
Cargo, Loading.....	110
Cassette Player	
Care.....	97

Operation.....	81, 90
CAUTION, Explanation of... <i>Preface ii</i>	
CD Player.....	93
Certification Label.....	212
Chains.....	167
Change Oil	
How to.....	141
When to.....	133
Changing a Flat Tire.....	189
Changing Engine Coolant.....	145
Charging System Indicator....	34, 201
Check Engine Light.....	35
Checking	
Automatic Transmission	
Fluid.....	148
Battery Condition.....	156
Brake Fluid.....	150
Clutch Fluid.....	151
Engine Belts.....	162
Engine Coolant.....	143
Engine Oil.....	139
Fuses.....	204
Manual Transmission Fluid ....	149
Power Steering Fluid.....	151
Checklist, Before Driving.....	112
Child Safety.....	19

Cigarette Lighter.....	66
Cleaner, Air.....	152
Cleaning	
Aluminum Wheels.....	181
Carpeting.....	183
Exterior.....	181
Fabric.....	183
Interior.....	183
Leather.....	183
Seat Belts.....	184
Vinyl.....	183
Window.....	184
CLEAN Light.....	97
Clock, Setting the .....	63
Clutch Fluid.....	151
Coin Box.....	65
CO in the Exhaust.....	218
Cold Weather, Starting in.....	114
Compact Spare.....	188
Consumer Information*.....	225
Controls, Instruments and.....	31
Coolant	
Adding.....	144
Checking.....	143
Proper Solution.....	143
Temperature Gauge.....	38

Corrosion Protection.....	185
Crankcase Emission Control System.....	221
Cruise Control Operation.....	46
Customer Relations Office*.....	225

## D

DANGER, Explanation of... <i>Preface ii</i>	
Dashboard.....	32
Daytime Running Lights.....	40
Dead Battery, What to Do.....	196
Defects, Reporting Safety.....	28
Defogger, Rear Window.....	43
Defrosting the Windows.....	76
DEXRON® II Automatic Transmission Fluid.....	148
Dimensions.....	214
Dimming the Headlights.....	40
Dipstick	
Automatic Transmission.....	148
Engine Oil.....	139
Directional Signals.....	41
Disabled, Towing Your Car If.....	209
Disc Brake Wear Indicators.....	121
Disposal of Used Oil.....	143

Doors	
Locking and Unlocking.....	51
Power Door Locks.....	51
DOT Tire Quality Grading.....	219
Downshifting, 5-speed Manual Transmission.....	115
Driving.....	111
Economy.....	108
In Bad Weather.....	123
In Foreign Countries.....	103

## E

Economy, Fuel.....	108
Emergencies on the Road.....	187
Battery, Jump Starting.....	196
Changing a Flat Tire.....	189
Charging System Indicator.....	201
Check Engine Light.....	202
Checking the Fuses.....	205
Low Oil Pressure Indicator.....	200
Malfunction Indicator Lamp....	202
Manually Closing Moonroof....	203
Overheated Engine.....	198
Emergency Brake.....	62
Emergency Flashers.....	43

Emission Controls.....	221
Engine	
Belts.....	162
Check Engine Light.....	35, 202
Coolant Temperature Gauge ....	38
Malfunction Indicator Lamp.....	35, 202
Oil Pressure Indicator.....	34, 200
Oil, What Kind to Use.....	140, X
Overheating.....	199
Specifications.....	214
Ethanol in Gasoline.....	103
Evaporative Emission Controls....	221
Exhaust Fumes.....	27
Expectant Mothers, Use of Seat Belts by.....	10
Exterior, Cleaning the.....	181

## F

Fabric, Cleaning.....	183
Fan, Interior.....	72

CONTINUED

# Index

---

Features, Comfort and	
Convenience.....	69
Filling the Fuel Tank.....	104
Filters	
Fuel.....	154
Oil.....	141
First Gear, Shifting.....	119
5-speed Manual Transmission,	
Checking Fluid Level.....	149
5-speed Manual Transmission,	
Shifting the.....	115
Flashers, Hazard Warning.....	43
Flat Tire, Changing a.....	189
Fluids	
Automatic Transmission.....	148, X
Brake.....	150
Clutch.....	151
Manual Transmission .....	149, X
Power Steering.....	151
Windshield Washer.....	147
FM Stereo Radio	
Reception.....	80
Folding Rear Seat.....	57
Foreign Countries, Driving in.....	103
Four-way Flashers.....	43

Front End, Towing by	
Emergency Wrecker.....	209
Fuel.....	102
Fill Door and Cap.....	104
Filter.....	154
Gauge.....	38
Octane Requirement.....	102, X
Oxygenated.....	102
Tank, Filling the.....	104
Fuses, Checking the.....	204

## G

Gas Mileage, Improving.....	108
Gasohol.....	102
Gasoline.....	102, X
Filter.....	154
Gauge.....	38
Octane Requirement.....	102, X
Tank, Filling the.....	104
Gas Station Procedures.....	104
Gauges	
Engine Coolant Temperature ....	38
Fuel.....	38
Gearshift Lever Positions	
Automatic Transmission.....	117

5-speed Manual	
Transmission.....	115
Glass Cleaning.....	184
Glove Box.....	53

## H

Halogen Headlight Bulbs.....	169
Hazard Warning Flashers.....	43
Headlights.....	40
Daytime Running Lights.....	40
High Beam Indicator.....	36
High Beams, Turning on.....	40
Low Beams, Turning on .....	40
Reminder Chime.....	40
Replacing Halogen Bulbs .....	168
Turning on.....	40
Head Restraints.....	56
Heating and Cooling.....	70
High Altitude, Starting at.....	114
High-Low Beam Switch .....	40
Hood, Opening the .....	105
Horn.....	49
Hot Coolant, Warning about.....	144
Hydraulic Clutch.....	151
Hydroplaning.....	123

**I**

Identification Number, Vehicle....	212
If Your Car Has to be Towed.....	209
Ignition	
Keys.....	49
Switch.....	50
Timing Control System.....	222
Indicator Lights, Instrument	
Panel.....	33
Infant Restraint.....	21
Inflation, Proper Tire .....	163
Inside Mirror.....	60
Inspection, Tire.....	164
Instrument Panel.....	32
Instrument Panel Brightness.....	41
Interior Cleaning.....	183
Interior Lights.....	67
Introduction.....	<i>Preface i</i>

**J**

Jacking up the Car.....	191
Jack, Tire.....	190
Jump Starting.....	196

**K**

Keys.....	49
-----------	----

**L**

Label, Certification.....	212
Lane Change, Signaling.....	41
Lap Belt.....	6
Lap/Shoulder Belts.....	6
Leaking of Exhaust into Car.....	27
Lighter, Cigarette.....	66
Lights	
Bulb Replacement.....	168
Indicator.....	33
Parking.....	40
Turn Signal.....	41
Loading Cargo.....	110
LOCK (Ignition Key Position).....	50
Locks	
Anti-theft Steering Column.....	50
Fuel Fill Door.....	104
Glove Box.....	53
Power Door.....	51
Trunk.....	52
Low Coolant Level.....	143

Lower Gear, Downshifting to a....	115
Low Oil Pressure Indicator....	34, 200
Lubricant Specifications Chart....	214
Luggage.....	110

**M**

Maintenance.....	131
Periodic Items.....	137
Record.....	135-136
Required Indicator.....	38
Schedule.....	133-134
Malfunction Indicator Lamp..	35, 202
Manual Transmission.....	115
Manual Transmission Fluid .....	149
Maximum Shift Speeds.....	116, 120
Meters, Gauges.....	37
Methanol in Gasoline.....	103
Mirrors, Adjusting.....	66
Moonroof.....	59
Closing Manually.....	203
Operation.....	59

CONTINUED

# Index

## N

- Neutral Gear Position..... 118
- New Vehicle Break-in ..... 102
- Normal Shift Speeds..... 115
- NOTICE, Explanation of..... *Preface ii*
- Numbers, Identification..... 212

## O

- Occupant Protection System..... 4
- Octane Requirement, Gasoline 102, X
- Odometer..... 37
- Odometer, Trip..... 37
- Oil
  - Change, How to ..... 141
  - Change, When to..... 133
  - Checking Engine..... 139
  - Pressure Indicator..... 34
  - Selecting Proper Viscosity
    - Chart..... 140
- ON (Ignition Key Position)..... 50
- Opening the Hood ..... 105
- Operation in Foreign Countries... 103
- Outside Mirrors..... 61
- Overheating, Engine..... 198

## P

- Panel Brightness Control..... 41
- Park Gear Position..... 118
- Parking Brake..... 62
- Parking Lights..... 40
- Parking Over Things that Burn... 223
- PGM-FI System..... 222
- Polishing and Waxing..... 181
- Power
  - Door Locks..... 51
  - Mirrors..... 61
  - Steering..... 151
  - Windows..... 58
- Pregnancy, Using Seat Belts..... 10
- Proper Seat Belt Usage..... 7

## R

- Radiator Overheating..... 198
- Radio/Cassette Sound System..... 77
- Rear End Towing..... 209
- Rear Lights, Bulb Replacement.. 172
- Rear Seat Access ..... 55
- Rear Seat, Folding..... 57
- Rear View Mirror..... 61

- Rear Window Defogger..... 43
- Reclining the Seat Backs..... 54
- Recommended Shift Speeds ..... 115
- Reminder Lights..... 33
- Replacement Information
  - Air Cleaner..... 152
  - Coolant..... 145
  - Engine Oil and Filter..... 141
  - Fuel Filter..... 154
  - Fuses..... 204
  - Light Bulbs..... 168
  - Schedule..... 133
  - Spark Plugs..... 154
  - Tires..... 165
  - Wiper Blades..... 159
- Replacing Seat Belts After a
  - Crash..... 10
- Reserve Tank, Coolant..... 143
- Restraint, Child..... 19
- Reverse Gear Position..... 118
- Rotation, Tire..... 165

## S

- Safety Belts..... 5
- Safety Defects, Reporting\*..... 228

- Safety Labels, Location of..... 28  
 Safety Messages..... *Preface ii*  
 Seat Belts..... 5  
   Advice for Pregnant Women..... 10  
   Child Seat Anchor Plate..... 24  
   Cleaning..... 184  
   Frayed or Torn..... 10  
   Maintenance..... 10  
   Reminder Light and Beeper..... 34  
   Replacement..... 10  
   System Components..... 6  
   Tether Attachment Points..... 24  
   Use During Pregnancy..... 10  
   Wearing a Lap/Shoulder Belt..... 7  
   Wearing the Lap Belt..... 9  
 Seats, Adjusting the..... 54  
 Serial Number..... 212  
 Service Intervals..... 133  
 Service Manual..... 231  
 Service Station Procedures ..... 104  
 Setting the Clock..... 63  
 Shifting  
   The Automatic Transmission ..116  
   The 5-speed Manual  
     Transmission..... 115  
 Shift Lever Position  
   Indicator..... 36, 117  
 Side Marker Lights, Bulb  
   Replacement in..... 171  
 Signaling Turns..... 41  
 Snow Tires..... 167  
 Solvent-type Cleaners..... 181  
 Sound System..... 77  
 Spare Tire  
   Inflating..... 188, X  
   Specifications..... 215  
 Spark Plugs, Replacing..... 154  
 Specifications Charts..... 214  
 Speed Control..... 46  
 Speedometer..... 37  
 SRS Indicator..... 11, 35  
 START (Ignition Key Position).... 50  
 Starting the Engine..... 113  
   In Cold Weather at High  
     Altitude..... 114  
     With a Dead Battery..... 196  
 Steam Coming from Engine..... 198  
 Steering Wheel  
   Adjustment..... 44  
   Anti-theft Column Lock..... 50  
 Stereo Sound System..... 77  
 Storing Your Car..... 177  
 Supplemental Restraint System  
   Service Precautions..... 16  
   Servicing..... 15  
   SRS Indicator..... 15, 35  
   System Components..... 11  
   Technical Description..... 217
- T**
- Tachometer..... 37  
 Taillights, Changing Bulbs in..... 172  
 Taking Care of the Unexpected .. 187  
 Tape Player..... 81, 90  
 Technical Descriptions  
   Anti-lock Brake System..... 216  
   Emission Control Systems..... 221  
   Supplemental Restraint  
     System..... 217  
   Three Way Catalytic  
     Converter..... 223  
 Tire Information..... 218  
 Temperature Gauge..... 38  
 Tether Attachment Points..... 24

CONTINUED

# Index

- Three Way Catalytic Converter... 223  
Time, Setting the..... 63  
Tire Chains..... 167  
Tire, How to Change a Flat..... 189  
Tires..... 162  
    Air Pressure ..... 163, X  
    Checking Wear..... 164  
    Compact Spare..... 188  
    DOT Tire Quality Grading..... 219  
    Inflation..... 163, X  
    Inspection..... 164  
    Maintenance..... 164  
    Replacing..... 165, X  
    Rotating..... 165  
    Snow..... 167  
    Specifications..... 215, X  
    Tire Chains..... 167  
    Tire Pressure Adjustment  
        For High Speed Driving..... 219  
    Tire Size Designation..... 218  
    Tire Speed Ratings..... 218  
    Wheel Size Designation..... 218  
    Winter Driving..... 166  
Tools, Tire Changing..... 189  
Torn Seat Belts..... 10
- Towing  
    A Trailer..... 125  
    Emergency Wrecker..... 209  
Transmission  
    Checking Fluid Level,  
        Automatic..... 148  
    Checking Fluid Level,  
        Manual..... 149  
    Fluid Selection ..... 148, 149  
    Identification Number..... 212  
    Shifting the Automatic..... 116  
    Shifting the Manual..... 115  
Treadwear..... 219  
Trip Meter..... 37  
Trunk..... 52  
    Opening the..... 52  
    Open Monitor Light..... 35  
Turn Signals..... 41
- U**
- Underside, Cleaning..... 185  
Unexpected, Taking Care  
    of the..... 187  
Uniform Tire Quality Grading..... 219  
Unleaded Gasoline..... 102
- Upholstery Cleaning..... 183  
Used Oil, How to Dispose of..... 143
- V**
- Vanity Mirror..... 65  
Vehicle Capacity Load ..... 110  
Vehicle Dimensions..... 214  
Vehicle Identification Number..... 212  
Vehicle Storage..... 177  
Ventilation..... 73  
VIN..... 212  
Vinyl Cleaning..... 183  
Viscosity, Oil..... 141
- W**
- Warning Beepers  
    Key in Ignition..... 50  
    Seat Belts..... 34  
WARNING, Explanation of. *Preface ii*  
Warning Labels, Location of..... 28  
Warranty Coverages\*..... 226  
Washer, Windshield  
    Checking the Fluid Level..... 147  
    Operation..... 42



Washing.....	180
Waxing and Polishing .....	181
Wheels	
Adjusting the Steering.....	44
Alignment and Balance.....	165
Compact Spare.....	188
Wrench.....	191
Windows	
Cleaning.....	184
Operating the Power.....	58
Rear, Defogger.....	43
Windshield	
Cleaning.....	42
Defroster.....	76
Wipers, Windshield	
Changing Blades.....	159
Operation.....	42
Worn Tires.....	164
Wrecker, Emergency Towing.....	209

\*U.S. and Canada Only.

## Gas Station Information

---

### Gasoline:

UNLEADED gasoline  
Pump octane of 86 or higher

### Fuel Tank Capacity:

64.5 l (17.04 US gal, 14.19 Imp gal)

### Recommended Engine Oil:

API SG or SH grade  
"Energy Conserving II" oil  
SAE 5W-30 viscosity

### Engine Oil Capacity:

including filter

(US: DX, LX, Canada: LX)

3.8 l (4.0 US qt, 3.3 Imp qt)

(US: EX, Canada: EX-R)

4.3 l (4.5 US qt, 3.8 Imp qt)

without filter

(US: DX, LX, Canada: LX)

3.5 l (3.7 US qt, 3.1 Imp qt)

(US: EX, Canada: EX-R)

4.0 l (4.2 US qt, 3.5 Imp qt)

### Tire Pressure (measured cold):

220 kPa (2.2 kg/cm<sup>2</sup>, 32 psi)

### Spare Tire Pressure:

420 kPa (4.2 kg/cm<sup>2</sup>, 60 psi)

### Tire Size (Front and Rear):

(US: DX, LX, Canada: LX)

P185/70R14 87S

(US: EX, Canada: EX-R)

195/60R15 88H

### Spare Tire:

(Cars without ABS)

T115/70D14

(Cars with ABS)

T135/90D15

### Other Tire Information:

See label on the driver's door  
jamb.

### 5-speed Manual Transmission Oil:

SAE 10W-30 or 10W-40 viscosity  
API SF or SG grade recom-  
mended

### Capacity:

1.9 l (2.0 US qt, 1.7 Imp qt)

### Automatic Transmission Fluid:

Honda Premium Formula Auto-  
matic Transmission Fluid or an  
equivalent DEXRON® II type Auto-  
matic Transmission Fluid (ATF)

### Capacity:

2.4 l (2.5 US qt, 2.1 Imp qt)