

1996 Odyssey Online Reference Owner's Manual

Use these links (and links throughout this manual) to navigate through this reference.
For a printed owner's manual, click on authorized manuals or go to www.helminc.com.

Contents

Owner's Identification Form

Introduction	i
A Few Words About Safety	ii
Driver and Passenger Safety	3
Proper use and care of your vehicle's seat belts, and Supplemental Restraint System.	
Instruments and Controls	31
Instrument panel indicator and gauge, and how to use dashboard and steering column controls.	
Comfort and Convenience Features	73
How to operate the climate control system, the audio system, and other convenience features.	
Before Driving	107
What gasoline to use, how to break-in your new vehicle, and how to load luggage and other cargo.	
Driving	117
The proper way to start the engine, shift the transmission, and park, plus towing a trailer.	
Maintenance	135
The Maintenance Schedule shows you when you need to take your vehicle to the dealer.	
Appearance Care	183
Tips on cleaning and protecting your vehicle. Things to look for if your car ever needs body repairs.	
Taking Care of the Unexpected	191
This section covers several problems motorists sometimes experience, and how to handle them.	
Technical Information	215
ID numbers, dimensions, capacities, and technical information.	
Warranty and Customer Relations (U.S. and Canada)	227
A summary of the warranties covering your new Honda, and how to contact us.	
Authorized Manuals (U.S. only)	233
How to order manuals and other technical literature.	
Index	I
Gas Station Information	
Information you need when you pull up to the fuel pump.	

Congratulations ! Your selection of a 1996 Honda Odyssey was a wise investment. It will give you years of driving pleasure.


One of the best ways to enhance the enjoyment of your new Honda is to read this manual. In it, you will learn about your vehicle's many safety features, and how to operate its driving controls and convenience items. Afterwards, keep this owner's manual in your vehicle so you can refer to it at any time.

Several warranties protect your new Honda. Read the warranty booklet thoroughly so you understand the coverages and are aware of your rights and responsibilities.

Maintaining your vehicle according to the schedules given in this manual helps to keep your driving trouble-free while it preserves your investment. When your vehicle needs maintenance, keep in mind that your Honda dealer's staff is specially-trained in servicing the many systems unique to your Honda. Your Honda dealer is dedicated to your satisfaction and will be pleased to answer any questions and concerns.

Safety Messages

Your safety and the safety of others is very important. We have provided many important safety messages in this manual and on the vehicle. Please read these messages carefully.

A safety message alerts you to potential hazards that could hurt you or others. Each safety message is preceded by a safety alert symbol  and one of three words, **DANGER**, **WARNING** or **CAUTION**.

These mean:

You WILL be KILLED or SERIOUSLY HURT if you don't follow instructions.

You CAN be KILLED or SERIOUSLY HURT if you don't follow instructions.

You CAN be HURT if you don't follow instructions.

Each safety message tells you what the hazard is, what can happen and what you can do to avoid or reduce injury.

You will also see another important symbol:

NOTICE

Your Honda or other property can be damaged if you don't follow instructions.

The purpose of these messages is to help prevent damage to your vehicle, other property, or the environment.

This section gives you important information about occupant protection. It shows how to use seat belts properly. It explains the Supplemental Restraint System. And it gives useful information about how to protect infants and children in your car.

Your Occupant Protection System..	4
The Seat Belt System and How It Works.....	5

Why Wear Seat Belts.....	5
Important Safety Reminders.....	5
Seat Belt System Components.....	6
Lap/Shoulder Belt.....	6
Lap Belt.....	7
Wearing Seat Belts Properly.....	7
Wearing a Lap/Shoulder Belt.....	7
Wearing the Lap Belt.....	9
Advice for Pregnant Women.....	10
Seat Belt Maintenance.....	11
Supplemental Restraint System.....	12
SRS Components.....	12
What Happens In a Crash.....	12
Important Facts About Airbags.....	13
How the Driver's Airbag Works.....	14
How the Passenger's Airbag Works.....	15
How the SRS Indicator Light Works.....	16
System Service.....	16
System Service Precautions.....	17
Additional Safety Information.....	18
Seat-back Position.....	18
Head Restraint Position.....	18

Door Locks.....	19
Storing Cargo Safely.....	19
Driving with Pets.....	19
Child Safety.....	20
Where Should Children Sit?.....	20
Important Safety Reminders.....	21
General Guidelines for Restraining Children Under 18 kg (40 lbs)	22
Restraining an Infant Who Weighs Less Than 9 kg (20 lbs).....	22
Restraining a Child Who Weighs Between 9 and 18 kg (20 and 40 lbs).....	23
Restraining a Child Who Weighs Over 18 kg (40 lbs).....	24
Securing a Child Seat with a Lap/Shoulder Belt.....	25
Using Child Restraints with Tethers.....	26
Storing a Child Seat.....	27
Alcohol and Drugs.....	28
Carbon Monoxide Hazard.....	29
Safety Labels.....	30

Your Honda is equipped with seat belts and other features that work together to protect you and your passenger during a crash.

Seat belts are the most important part of your occupant protection system. When worn properly, seat belts can reduce the chance of serious injury or death in a crash.

For added protection during a severe frontal collision, your Odyssey has a Supplemental Restraint System (SRS) with airbags for the driver and a front seat passenger.

Two indicator lights are also part of your safety system. One reminds you to make sure you and your passengers wear seat belts. The other alerts you to a possible problem with your supplemental restraint system (see page 16).

The seats, head restraints, and door locks also play a role in occupant safety. For example, reclining the seat-back can decrease the effectiveness of your seat belt. Head restraints can help protect your neck and head, especially during rear-end impacts. Door locks help keep your doors from being accidentally opened during a crash.

To get the maximum protection from your occupant protection system, check the following before you drive away:

- Everyone in the car is wearing a seat belt properly (see page 7).
- Infants and small children are properly secured in child safety seats (see page 20).
- All doors and the tailgate are closed and locked (see page 19).
- Seat-backs are upright and head restraints are properly adjusted (see pages 18 and 55).
- There are no loose items that could be thrown around and hurt someone during a crash or sudden stop (see page 19).

By following these guidelines, you can reduce injuries to yourself and your passengers in many crash situations. Remember, however, that no safety system can prevent all injuries or deaths that can occur in severe crashes.

Why Wear Seat Belts

Wearing seat belts, and wearing them properly, is fundamental to your safety and the safety of your passengers.

During a crash or emergency stop, seat belts can help keep you from being thrown against the inside of the car, against other occupants, or out of the car.

Of course, seat belts cannot completely protect you in every crash. But, in most cases, seat belts reduce your chance of serious injury. They can even save your life. That is why many states and all Canadian provinces require you to wear seat belts.

Not wearing a seat belt increases the chance of being killed or seriously hurt in a crash.

Be sure you and your passengers always wear seat belts and wear them properly.

Important Safety Reminders

Seat belts are designed for adults and larger children. All infants and small children must be properly restrained in child safety seats (see page 20).

Never let passengers ride in the cargo area or on top of a folded-down seat. Carry passengers in the rear only when they are sitting in a locked, upright seat, and are properly restrained by seat belts.

Passengers should not stand up or change seats while the vehicle is moving. If they are not wearing seat belts during a crash or emergency stop, they can be thrown against the inside of the vehicle, against other occupants, or out of the vehicle. A pregnant woman needs to wear a seat belt to protect herself and her unborn child (see page 10).

Two people should never use the same seat belt. If they do, they could be very seriously injured in a crash.

Do not place the shoulder portion of a lap/shoulder belt under your arm or behind your back. This could increase the chance of serious injuries in a crash.

Do not put shoulder belt pads or other accessories on seat belts. They can reduce the effectiveness of the belts and increase the chance of injury.

The Seat Belt System and How It Works

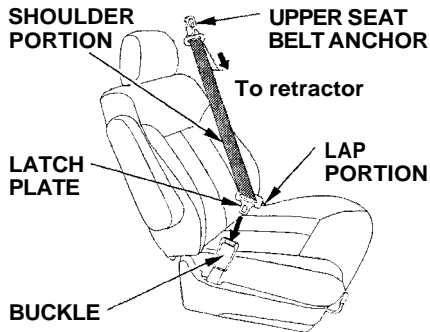
Seat Belt System Components

Your Honda has seat belts in all seating positions. All the seat belts in the six-passenger model are lap/shoulder belts. In the seven-passenger model, the center position of the bench-type second seat has a lap belt.

Your seat belt system also includes a light on the instrument panel to remind you to fasten your seat belt, and to make sure your passengers fasten theirs. This light comes on when you turn on the ignition if you have not fastened your seat belt. A beeper also sounds for several seconds (see page 34).

The following pages cover more about the seat belt components and how they work.

Lap/Shoulder Belt



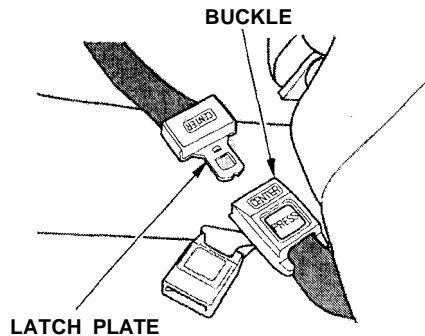
This style of seat belt has a single belt that goes over your shoulder, across your chest, and across your hips.

Each lap/shoulder belt has an emergency locking retractor. In normal driving, the retractor lets you move freely in your seat while it keeps some tension on the belt. During a collision or sudden stop, the retractor automatically locks the belt to help restrain your body.

The lap/shoulder belt retractor in each passenger seating position has an additional locking mechanism that is intended to secure a child seat (see page 25). If the shoulder part of the belt is pulled all the way out, this mechanism will engage. The belt will retract, but it will not allow the passenger to move freely. If the belt feels too tight, unlatch it, let it retract fully, then pull it out as far as needed.

Lap Belt

Seven-passenger model only



The lap belt has one manually-adjusted belt that fits across the hips. It is similar to safety belts used in airplanes.

Wearing Seat Belts Properly

You can increase the effectiveness of your seat belts if you take a little time to read the following pages and make sure you know how to wear seat belts properly.

Not wearing seat belts properly increases the chance of serious injury or death in a crash.

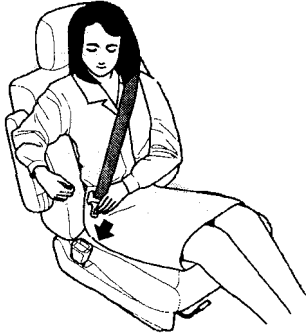
Be sure you and your passengers always wear seat belts and wear them properly.

Wearing a Lap/Shoulder Belt

Before putting on the seat belt, move the driver's seat as far back as is practical while still allowing you to maintain full control of the vehicle. Make sure the seat-back is upright (see page 18). The front seat passenger should move the seat as far back as possible.

CONTINUED

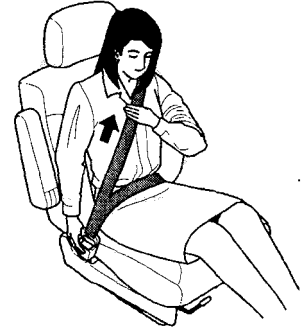
The Seat Belt System and How It Works



1. Pull the latch plate across your body and insert it into the buckle. Tug on the belt to make sure the latch is securely locked.



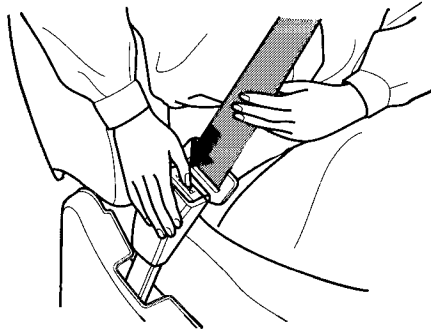
2. Check that the belt is not twisted.
3. Position the lap portion of the belt as low as possible across your hips, not across your stomach. This lets your strong pelvic bones take the force of a crash.



4. Pull up on the shoulder part of the belt to remove any slack. Make sure the belt goes over your collarbone and across your chest.



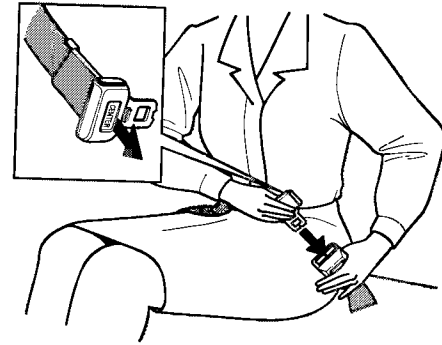
5. If you are sitting in one of the front seats and the shoulder belt crosses your neck, you should adjust the anchor height by squeezing the two buttons and sliding the anchor up or down.



To unlatch the seat belt, push the red PRESS button on the buckle. Guide the belt across your body to the door pillar.

After you exit the vehicle, make sure the seat belt is out of the way and will not get closed in the door.

Wearing the Lap Belt



1. Pull the latch plate across your hips and insert it into the buckle marked CENTER.

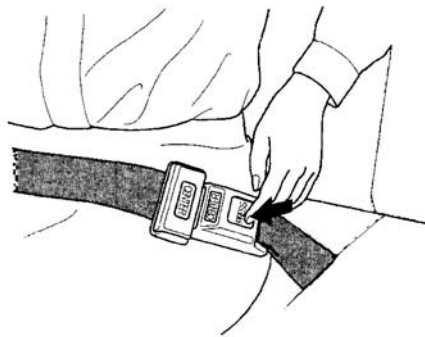
If the belt is too short, hold the latch plate at a right angle and pull to extend the belt. Insert the latch plate into the buckle.

CONTINUED

The Seat Belt System and How It Works



2. Position the belt as low as possible across your hips and pelvic bones, not across your stomach. Pull the loose end of the belt to adjust for a snug but comfortable fit.



To unlatch the belt, push the red PRESS button on the buckle.

Advice for Pregnant Women



Protecting the mother is the best way to protect her unborn child. Therefore, a pregnant woman should wear a properly-positioned seat belt whenever she drives or rides in a car.

If possible, use the lap/shoulder seat belt, remembering to keep the lap portion as low as possible (see page [7](#)).

Each time you have a check-up, ask your doctor if it's okay for you to drive and how you should position a lap/shoulder seat belt.

Seat Belt Maintenance

For safety, you should check the condition of your seat belts regularly.

Pull out each belt fully and look for frays, cuts, burns, and wear. Check that the latches work smoothly and the lap/shoulder belts retract easily. Any belt not in good condition or not working properly should be replaced.

If a seat belt is worn during a crash, have your dealer replace the belt and inspect the anchors for damage.

For information on how to clean your seat belts, see page [187](#).

Your car is equipped with a Supplemental Restraint System (SRS) to help protect the head and chest of the driver and front seat passenger during a severe frontal collision.

This system does not replace your seat belts. It supplements, or adds to, the protection offered by seat belts and other occupant protection features.

Not wearing seat belts increases the chance of serious injury or death in a crash, even if you have airbags.

Be sure you and your passengers always wear seat belts and wear them properly.

SRS Components

Your supplemental restraint system includes:

- One airbag in the steering wheel for the driver and another in the dashboard for the passenger.
- Sensors that can detect a severe frontal collision.
- A sophisticated electronic system that continually monitors the sensors, control unit, airbag activators, and all related wiring when the ignition is ON (II).
- An indicator light on the instrument panel to alert you to a possible problem with the system.
- Emergency backup power in case your car's electrical system is disconnected in a crash.

What Happens In a Crash

If you ever have a severe frontal collision, the sensors will detect rapid deceleration and signal the control unit to instantly inflate the airbags.

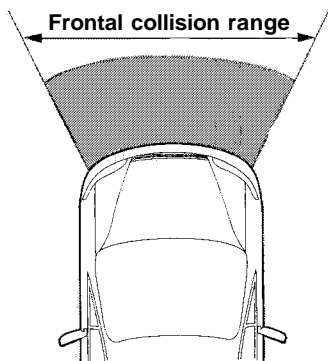
During a crash, your seat belts will help to restrain your lower body and torso. The airbags will provide a cushion to absorb crash energy and help keep the head and chest of the driver and front passenger from striking the interior of the car.

After inflating, the airbags will immediately deflate. The entire process, from detection to deflation, takes a fraction of a second. This process occurs so quickly that you may not hear the loud noise created by the airbag inflators, or realize what has happened.

After the crash, you may see what looks like smoke. This is actually powder from the airbag's surface. People with respiratory problems may experience some temporary discomfort from the chemicals used by the airbag's activators.

Important Facts About Airbags

Airbags inflate only when needed; in a severe frontal collision. A severe collision would be similar to a crash into a parked vehicle of similar size at 25 mph (40 km/h). Airbags will not inflate in a moderate frontal collision, or during a rear impact, side impact, or rollover — even if the impact is severe.



Airbags inflate and deflate only once. They cannot protect you during any additional impacts that can occur during a crash sequence.

Injuries, including fatal injuries, can occur in a severe collision, even if seat belts are worn properly and the airbags inflate. No safety system can provide complete protection in a severe crash.

Just from viewing the vehicle damage after a crash, it is very difficult to accurately determine if the airbags should or should not have inflated. In some cases where the airbag did not inflate, extensive visible damage indicated that the car absorbed much of the crash energy, and the airbags were not needed. In other cases, a severe jolt, such as an impact to the undercarriage, may not cause extensive body damage but cause the airbags to inflate.

How the Driver's Airbag Works



If you ever have a severe frontal collision, your airbag will instantly inflate to help protect your head and chest.

To do its job, the airbag inflates with considerable force. So, while it can reduce serious injuries and even save your life, the airbag might cause some facial abrasions or other injuries. To reduce the possibility of injury, you should always sit back as far from the steering wheel as is practical while still maintaining full vehicle control.



After the bag completely inflates, it immediately starts deflating so it won't interfere with your visibility, ability to steer, or ability to operate other controls. The total time for inflation and deflation takes a fraction of a second. You may not even be aware that the airbag has been fully inflated.

The driver's airbag is stored in the center of the steering wheel. For your safety, do not attach any items to the steering wheel. They could interfere with the proper operation of the airbag. Or, if the airbag inflates, they could be propelled inside the car and hurt someone.

How the Passenger's Airbag Works



If you ever have a severe frontal collision, the passenger's airbag will inflate at the same time as the driver's airbag.

This airbag is quite large and inflates with considerable force. It can seriously hurt a front seat passenger who is not in the proper position and wearing the seat belt properly. Front seat passengers should move the seat as far back as practical and sit well back in the seat.

We strongly recommend that you do not put an infant seat in the front passenger's seat. If the airbag inflates, it can hit the infant seat with great force. The infant seat can be dislodged or struck with enough force to cause very serious injury to the infant.

If a toddler seat is used in the front passenger's seat, the vehicle seat should be moved as far back as possible. If the passenger's bag inflates, it could seriously hurt a toddler who is not in the proper position or properly restrained.

CONTINUED

The passenger's airbag is stored near the top of the dashboard, under a lid marked SRS. Do not place any objects on top of this lid. If the airbag inflates, those objects can be propelled inside the car and possibly hurt someone.

SRS How the SRS Indicator Light Works

The purpose of the SRS light on your instrument panel is to alert you of a potential problem with your supplemental restraint system.

Have the system checked if:

- The light does not come on when you turn the ignition ON (II).
- The light stays on after the engine starts.
- The light comes on or flashes while you are driving.

If you see any of these indications, the airbag may not work when needed in an accident. Take the car to your dealer promptly for diagnosis and service.

System Service

Your supplemental restraint system is virtually maintenance-free. There are no parts you can safely service. You must have the system serviced by an authorized Honda dealer:

- If your airbags ever inflate, the airbags and control unit must be replaced. Do not try to remove or discard the airbags by yourself. This must be done by a Honda dealer.
- If the SRS indicator light alerts you of a problem. Have the supplemental restraint system checked as soon as possible. Otherwise, your airbags might not inflate when you need them.
- When the car is ten years old. Have the dealer inspect the system. The production date is on the driver's doorjamb for your convenience.

System Service Precautions

Do not modify your steering wheel or any other part of the supplemental restraint system. Modifications could make the system ineffective.

Do not tamper with the system's components or wiring. This could cause the airbags to inflate inadvertently, possibly injuring someone very seriously.

Tell anyone who works on your car that you have a supplemental restraint system. Failure to follow the procedures and precautions in the official Honda service manual could result in personal injury or damage to the system.

Scrapping an entire car that has an uninflated airbag can be dangerous. Get assistance from a Honda dealer if your car must be scrapped.

If you sell your car, please be sure to tell the new owner that the car has a supplemental restraint system. Alert them to the information and precautions in this part of the owner's manual.

The seat belts and airbags are obviously important parts of your occupant protection system.

In addition, you should know that sitting upright, adjusting the head restraints properly, locking the doors, and stowing things properly can also increase your safety and possibly even save your life.

Seat-back Position

The seat-backs should be in an upright position for you and your passengers to get the most protection from the seat belts.

If you recline a seat-back, you reduce the protective capability of your seat belt. The farther a seat-back is reclined, the greater the risk that you will slide under the belt in a severe crash and be very seriously injured.

For information on how to adjust the seat-back, see page [55](#).

Head Restraint Position



Head restraints can help protect you from whiplash and other injuries. For the best protection, adjust the top of the restraint so it is even with the tops of your ears, or as high as possible. For instructions on adjusting the head restraints, see page [56](#).

Door Locks

It is not safe to leave your car doors unlocked. A passenger, especially a child, could open a door and accidentally fall out. Also, there is a greater chance of being thrown out of the car during a crash when the doors are not locked.

Storing Cargo Safely

Before you drive, make sure you first securely store or tie down any items that could be thrown around the car and hurt someone, or interfere with your ability to operate the controls.

Be sure to keep compartment doors closed when the car is moving. If a passenger hits the door of an open glove box, for example, he could injure his knees.

For information on loading cargo, see page [116](#).

Driving with Pets

Loose pets can be a hazard while you are driving. An unrestrained pet can interfere with your ability to drive the car. In a crash or sudden stop, loose pets or cages can be thrown around inside the car and hurt you or your passengers. It is also for their safety that pets should be properly restrained in your car.

The recommended way to restrain a medium-sized or larger dog is with a special traveling harness. This harness can be secured to the rear seat with a seat belt. Travel harnesses are available at pet stores.

A small dog, cat, or other small animal will be safest in a pet carrier with rigid sides. Choose a style that allows you to secure it to the car's seat by routing a seat belt through the carrier's handle.

For further information, contact your veterinarian or local animal protection society.



Children depend on adults to protect them. To help make sure we do, every state and Canadian province has laws requiring infants and young children to be properly restrained whenever they ride in a car.

An infant or child who is not properly restrained can be killed or seriously injured in a crash.

Be sure any child too small for seat belts is properly secured in a child restraint.

Where Should Children Sit?

According to accident statistics, children of all sizes and ages are safer when they are properly restrained in the rear seat rather than the front seat.

We recommend that you place your child's infant or toddler seat in the second seat and secure it with the vehicle's lap/shoulder belt or lap belt (seven-passenger model). If you use the lap/shoulder belt, be sure to follow the instructions on page [25](#).

We strongly recommend that you do not put an infant seat in the front passenger's seat. If the airbag inflates, it can hit the infant seat with great force. The infant seat can be dislodged or struck with enough force to cause very serious injury to the infant.

If a toddler seat is used in the front passenger's seat, the vehicle seat should be moved as far back as possible. If the passenger's bag inflates, it could seriously hurt a toddler who is not in the proper position or properly restrained.

We also recommend that any child who is too large to use an infant or toddler seat ride in the second or third seat and wear a lap/shoulder belt properly for protection. If the child is not large enough to wear the lap/shoulder belt properly, you should use a booster seat.

Important Safety Reminders

Never hold a baby or child on your lap when riding in a car. If you are wearing your seat belt, the violent forces created during a crash will tear the child from your arms. The child could be seriously hurt or killed.

If you are holding a child and not wearing a seat belt in a crash, you could crush the child against the car's interior.

Never put your seat belt over yourself and a child. During a crash, the belt could press deep into the child, causing serious internal injuries.

Two children should never use the same seat belt. If they do, they could be very seriously injured in a crash.

If you are driving with small children in the car, you should use the childproof door locks to prevent them from opening the rear doors (see page [54](#)).

For their safety, do not leave children alone in your car without adult supervision.

General Guidelines for Restraining Children Under 18 kg (40 lbs)

Use an approved child seat. The seat must meet Federal Motor Vehicle Safety Standard 213 (FMVSS-213) or Canadian Motor Vehicle Safety Standards. Look for the manufacturer's statement of compliance on the box and seat.

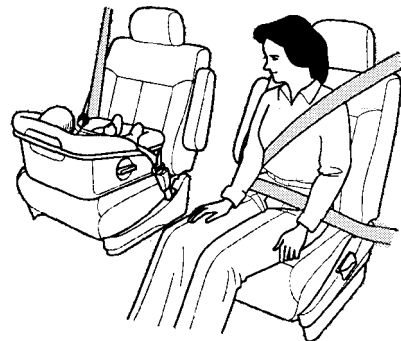
Use a seat of the right size. Make sure the seat fits your child. Check the seat manufacturer's instructions and labels for height and weight limits.

Secure the child seat to the car. All approved child seats are designed to be secured to the car seat by the lap belt or the lap belt portion of a lap/shoulder belt. A child whose seat is not properly secured to the car can be endangered in a crash.

To properly route a seat belt through a child seat, follow the seat maker's instructions. If you use a lap/shoulder belt, follow the instructions on page [25](#).

Secure the child in the child seat. Make sure the infant or child is firmly secured to the child seat. Use the straps provided, and carefully follow the manufacturer's instructions.

Restraining an Infant Who Weighs Less Than 9 kg (20 lbs)



An infant up to about 9 kg (20 lbs) must be restrained in an infant seat or a convertible seat designed for a baby. Because infants must ride in a reclining position, be sure the infant seat always faces the REAR of the car as shown.

We recommend that you place your child's infant seat in the second seat and secure it with the vehicle's lap/shoulder belt or lap belt (seven-passenger model). If you use the lap/shoulder belt, be sure to follow the instructions on page [25](#).

We strongly recommend that you do not put an infant seat in the front passenger's seat. If the airbag inflates, it can hit the infant seat with great force. The infant seat can be dislodged or struck with enough force to cause very serious injury to the infant.

Restraining a Child Who Weighs Between 9 and 18 kg (20 and 40 lbs)



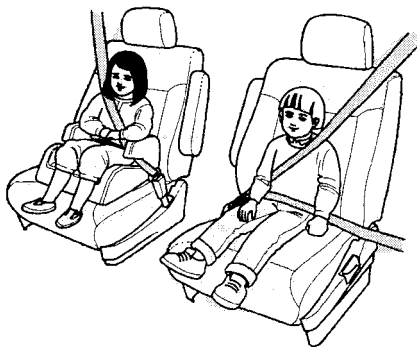
Toddler seats are designed for children who weigh between 9 and 18 kg (20 and 40 lbs).

We recommend that you place your child's toddler seat in the second seat and secure it with the vehicle's lap/shoulder belt or lap belt (seven-passenger model). If you use the lap/shoulder belt, be sure to follow the instructions on page [25](#).

CONTINUED

If you are using a toddler seat in the front passenger's seat, move the passenger's seat as far back as possible before installing the child seat. If the passenger's bag inflates, it could seriously hurt a toddler who is not in the proper position or properly restrained.

Restraining a Child Who Weighs Over 18 kg (40 lbs)



We recommend that, whenever possible, a child who has outgrown a toddler seat ride in the second or third seat and use a lap/shoulder belt.

Put the seat belt on your child and check its fit. The shoulder belt should fit over the collarbone and across the chest. The lap belt should sit low on your child's hips, not across the stomach.

If the shoulder belt crosses the neck, while sitting in the second or third bench seat, have your child move toward the center of the seat until the belt fits properly. If the belt still crosses the child's neck, you should use a booster seat.

Several styles of booster seats are available. We recommend a design that allows the child to use the car's lap/shoulder belt.

Whichever style you select, follow the booster seat manufacturer's instructions.

Securing a Child Seat with a Lap/Shoulder Belt

The lap/shoulder belt retractors in the passenger seating positions have a built-in locking mechanism intended to secure a child seat. If you are placing a child seat in one of the outside seating positions, do the following:

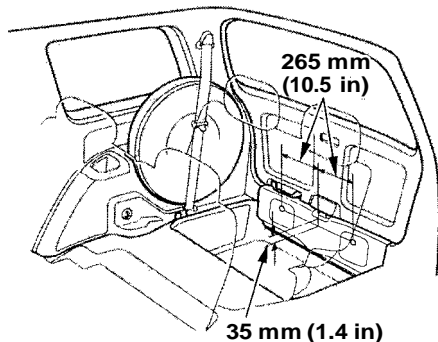
1. Place the child restraint in the desired seating position. Route the lap/shoulder belt through the seat according to the seat manufacturer's instructions.
2. Insert the latch plate into the buckle. Make sure it is fully latched.
3. Slowly pull the shoulder portion of the belt out of the retractor until it stops.
4. Allow the belt to slowly feed back into the retractor. You should hear a clicking noise that indicates the locking mechanism has engaged.
5. After the belt has retracted fully, pull up on the shoulder portion to remove any slack.

6. Push and pull on the child seat to verify that it is held firmly in place. If not, unlatch the seat belt, allow it to retract fully, and repeat these steps.

To unlatch the seat belt, push the red PRESS button on the buckle. Guide the belt across to the door pillar. If the belt doesn't retract easily, pull it out and check for twists or kinks.

Using Child Restraints with Tethers

U.S. Models



Your Honda has two attachment points on the tailgate sill that allow for a tether-style child seat to be installed in the third row seat. Use the dimensions in the above illustration to locate the attachment point you want to use. Cut a 22 mm (7/8 inch) diameter hole.

Install the tether hardware that came with the child seat.

Tighten to:

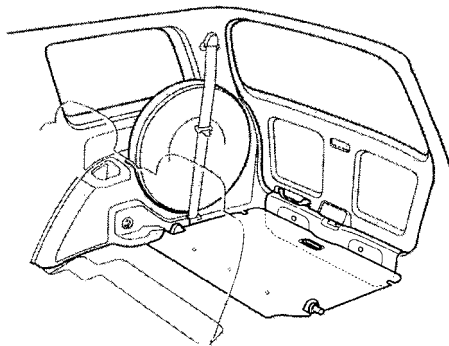
22 N.m (2.2 kgf.m , 16 lbf.ft)

If you are not sure how to install the bracket, have it installed by your Honda dealer.

If you need an anchor plate and mounting hardware, you can obtain them by writing to:

American Honda Motor Co., Inc.
Consumer Affairs
1919 Torrance Blvd.
Torrance, CA 90501-2746

Canadian Models



Your Honda has attachment points for a tether-style child seat to be installed on the second or third seat as shown.

Second Seat Installation:

There are three attachment points available for the seven-passenger model, and two attachment points available for the six-passenger model.

To install a child seat in the second seat, fold the third seat into the floor recess (see page 60). You will find a U-shaped slit in the carpeting at each attachment point. Select the attachment point you want to use, and pull up the carpeting at the slit.

Third Seat Installation:

There are two attachment points on the tailgate sill. Select the attachment point you want use, and remove the plug with a small flat-tipped screwdriver or a fingernail file.

Install the tether hardware that came with the child seat.

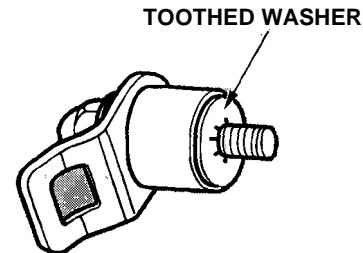
Tighten to:

22 N.m (2.2 kgf.m , 16 lbf.ft)

If you are not sure how to install the bracket, have it installed by your Honda dealer.

Canadian Cars

The anchor plate and mounting hardware for a top tether are supplied with the car. When installing, make sure the toothed washer is on the bottom of the bolt.



The supplied anchor plate is designed only for mounting a child restraint. Do not use it for any other purpose.

Storing a Child Seat

When you are not using an infant seat or other child restraint, either remove it or make sure it is properly secured so it cannot be thrown around the car during a crash.

Driving a car requires your full attention and alertness. Traffic conditions change rapidly. You must be able to react just as rapidly. Alcohol or drugs directly affect your alertness and ability to react. Even prescription and non-prescription medicines can have this effect.

There are laws that deal with drunken driving. These laws define how much alcohol it takes in your system to be legally "drunk." However, your judgment and reaction time get worse with every drink—even the first one.

The safest thing you can do is never drink and drive. This can be done if you plan ahead. If you know you are going to be drinking, make plans to ride with a friend who will not be drinking.

What if you find that you've been drinking and cannot get a ride from a friend? Find alternative transportation. Call a taxi. Take a bus. Many communities have transportation services devoted to shuttling people who have been drinking.

If you have no choice but to drive, stop drinking and give yourself lots of time to sober up. Time is the only thing that can make you sober. Things like coffee or a cold shower don't speed up the process.

If you see friends trying to get behind the wheel after drinking, stop them. Drive them yourself or arrange other transportation. If you think you are interfering, remember that your interference will keep them from sharing the road with you.

Your car's exhaust contains carbon monoxide gas. You should have no problem with carbon monoxide entering the car in normal driving if you maintain your car properly. Have the exhaust system inspected for leaks whenever:

- The car is raised for an oil change.
- You notice a change in the sound of the exhaust.
- The car was in an accident that may have damaged the underside.



Carbon monoxide gas is toxic. Breathing it can cause unconsciousness and can even kill you.

Avoid any enclosed areas or activities that expose you to carbon monoxide.

High levels of carbon monoxide can collect rapidly in enclosed areas, such as a garage. Do not run the engine with the garage door closed. Even with the door open, run the engine only long enough to move the car out of the garage.

With the tailgate open, air flow can pull exhaust gas into your car's interior and create a hazardous condition. If you must drive with the tailgate open, open all the windows and set the heating and cooling system as follows.

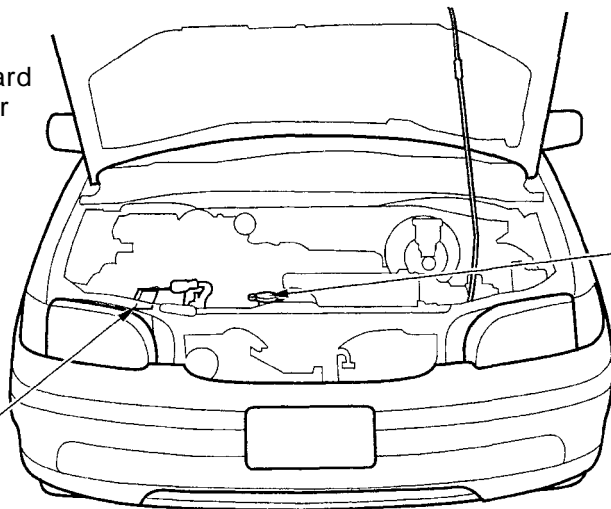
If you must sit in your parked car, even in an unconfined area, with the engine running, adjust the heating and cooling system as follows:

1. Push the  button.
2. Select the  mode.
3. Turn the fan on high speed.
4. Set the temperature control to a comfortable setting.

Safety Labels

These labels are in the locations shown. They warn you of potential hazards that could cause serious injury. Read these labels carefully and don't remove them.

If a label comes off or becomes hard to read, contact your Honda dealer for a replacement.



BATTERY

DANGER

EXPLOSIVE GASES Keep sparks, flame and cigarettes away. Provide adequate ventilation when charging or using batteries in an enclosed space.

CHEMICAL HAZARD Contains sulfuric acid. Contact with skin, even through clothing, may cause severe burns. Wear a face shield and protective clothing. If electrolyte gets into your eyes, antidote: flush thoroughly with water for at least 15 minutes and call a physician immediately.

POISON Antidote: EXTERNAL - flush with water. INTERNAL - drink large quantities of water or milk then follow with milk of magnesia or vegetable oil.



KEEP OUT OF REACH OF CHILDREN

RADIATOR CAP



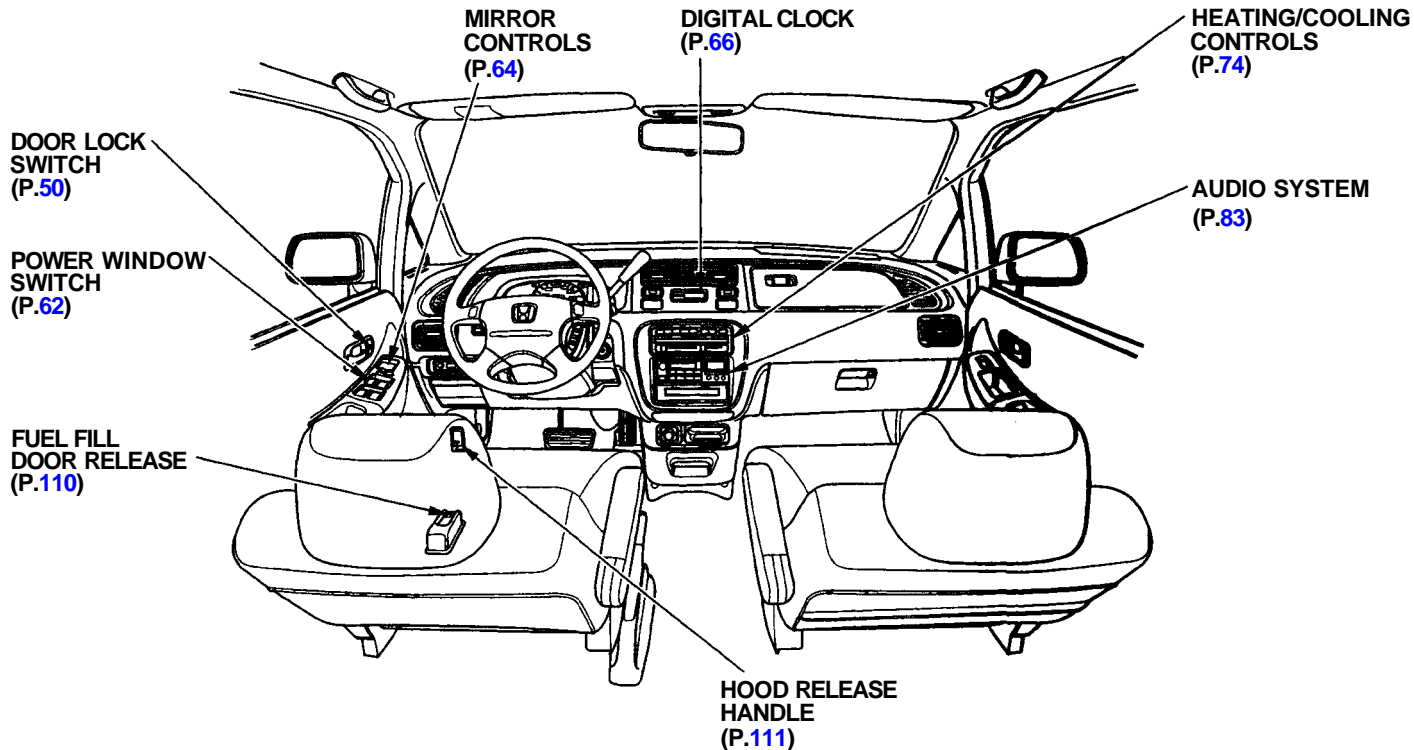
This section gives information about the controls and displays that contribute to the daily operation of your Honda. All the essential controls are within easy reach.

Control Locations.....	32
Indicator Lights.....	33
Gauges.....	37
Speedometer.....	37
Trip Meter.....	37
Odometer.....	37
Temperature Gauge.....	38
Fuel Gauge.....	38
Maintenance Required Indicator.....	38
Controls Near the Steering Wheel.....	39
Headlights.....	40

Daytime Running Lights.....	40
Instrument Panel Brightness.....	41
Turn Signals.....	41
Windshield Wipers.....	42
Windshield Washers.....	42
Rear Window Wiper and Washer.....	43
Hazard Warning.....	43
Rear Window Defogger.....	43
Steering Wheel Adjustment.....	44
Steering Wheel Controls.....	46
Cruise Control.....	46
Keys and Locks.....	49
Keys.....	49
Ignition Switch.....	49
Power Door Locks.....	50
Remote Transmitter.....	51
Childproof Door Locks.....	52
Tailgate.....	52
Glove Box.....	53
Seats.....	54
Passenger Seating.....	54
Seat Adjustments.....	54
Driver's Seat Power Height Adjustment.....	55
Head Restraints.....	56

Third Seat Access.....	56
Removing the Second Seats in the Six-Passenger Model....	57
Folding the Second Seats in the Seven-Passenger Model.....	58
Reclining the Second Seat.....	59
Folding the Third Seat in All Models.....	60
Power Windows.....	62
Sunroof.....	63
Mirrors.....	64
Adjusting the Power Mirrors....	64
Parking Brake.....	65
Digital Clock.....	66
Beverage Holder.....	66
Dashboard Compartment.....	68
Center Pocket.....	68
Vanity Mirror.....	68
Cigarette Lighter.....	69
Ashtrays.....	69
Interior Lights.....	70
Ceiling Lights.....	70
Spotlights.....	70
Tailgate Light.....	71
Courtesy Lights.....	71

Control Locations

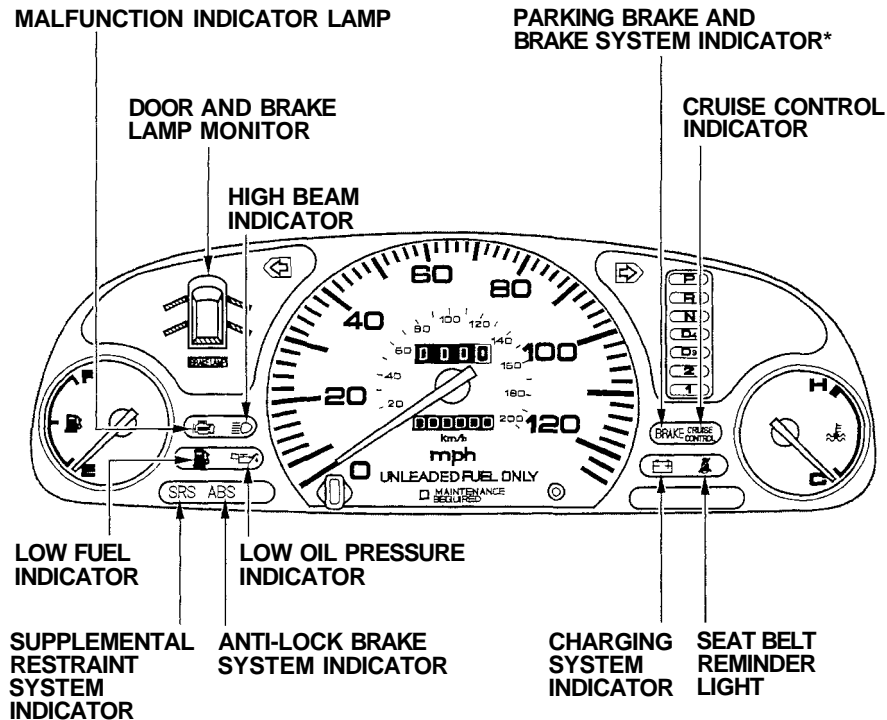


The instrument panel has many indicators to give you important information about your car.

Lamp Check

Many of the indicator lights come on when you turn the ignition switch ON (II), allowing you to see that they are working. If an indicator does not light during this test, it cannot alert you if that system develops a problem. Have the dealer check your car for burned-out bulbs or other problems.

* The U.S. instrument panel is shown. Differences for the Canadian model are noted in the text.





Seat Belt Reminder Light

This indicator lights when you turn the ignition ON (II). It is a reminder to you and your passengers to protect yourselves by fastening the seat belts. A beeper also sounds if you have not fastened your seat belt.

If you do not fasten your seat belt, the beeper will stop after a few seconds but the light stays on until you do. Both the light and the beeper stay off if you fasten your seat belt before turning on the ignition.



Malfunction Indicator Lamp

See page [206](#).



Low Oil Pressure Indicator

The engine can be severely damaged if this light flashes or stays on when the engine is running. For complete information, see page [204](#).



Charging System Indicator

If this light comes on when the engine is running, the battery is not being charged. For complete information, see page [205](#).



Supplemental Restraint System Indicator

See page [16](#).



Parking Brake and Brake System Indicator

This light has two functions:

1. It lights as a reminder that you have set the parking brake. Driving with the parking brake set can damage the brakes and tires, and cause the Anti-lock brake system to turn off (see page [125](#)).
2. It can indicate the brake fluid level is low if it remains lit after you release the parking brake or comes on while driving. This is normally due to worn brake pads. Have your dealer check the braking system for worn pads or fluid leaks.

U.S. **Anti-lock Brake System
(ABS) Indicator**

ABS

Canada



Only on cars equipped with ABS (see page 125)

This light normally comes on when you turn the ignition ON (II) and goes off after the engine starts. If it comes on at any other time, there is a problem in the ABS. If this happens, take the car to your dealer to have it checked. With the light on, your car still has normal braking ability but no anti-lock.

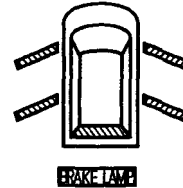


**Turn Signal and
Hazard Warning
Indicators**

The left or right turn signal light blinks when you signal a lane change or turn. If the light does not blink or blinks rapidly, it usually means one of the turn signal bulbs is burned out (see page 178). Replace the bulb as soon as possible, since other drivers cannot see that you are signalling.

When you turn on the Hazard Warning switch, both turn signal lights blink. All turn signals on the outside of the car should flash.

Door and Brake Lamp Monitor



The appropriate light comes on in this display if the tailgate or any door is not closed tightly. If a brake light does not work, the **BRAKE LAMP** indicator comes on when you push the brake pedal with the ignition switch ON (II).

A burned out brake light is a hazard when drivers behind you cannot tell you are braking. Have your brake lights repaired right away. All the lights in the monitor display come on for a few seconds when you turn the ignition switch ON (II).

DRL

"Daytime Running Lights" Indicator

Canadian models only

This indicator lights when you turn the ignition to ON (II) with the headlight switch off and the parking brake set. It should go off if you turn on the headlights or release the parking brake. If it comes on at any other time, it means there is a problem with the DRL. There may also be a problem with the high beam headlights.



High Beam Indicator

This light comes on with the high beam headlights. See page [40](#) for information on the headlight controls.

**CRUISE
CONTROL**

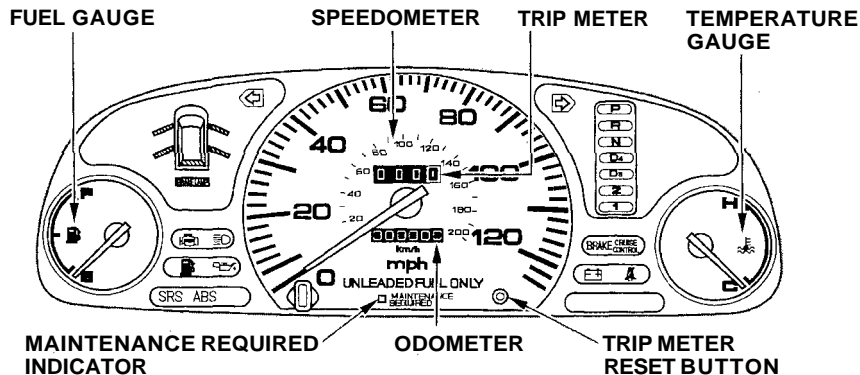
Cruise Control Indicator

This lights when you set the cruise control. See page [46](#) for information on operating the cruise control.



Low Fuel Indicator

This light comes on as a reminder that you must refuel soon.



Speedometer

U.S. Models

This shows your speed in miles per hour (mph). The smaller inner numbers are the speed in kilometers per hour (km/h).

Canadian Models

This shows your speed in kilometers per hour (km/h). The smaller inner numbers are the speed in miles per hour (mph).

Trip Meter

This meter shows the number of miles (U.S.) or kilometers (Canada) driven since you last reset it. To reset it, push the trip meter reset button.

Odometer

The odometer shows the total distance your car has been driven. It measures miles in U.S. models and kilometers in Canadian models. It is illegal under federal law (in the U.S.) and provincial regulations (in Canada) to disconnect, reset, or alter the odometer with the intent to change the number of miles or kilometers indicated.

Temperature Gauge

This shows the temperature of the engine's coolant. During normal operation, the pointer should rise from the bottom white mark to about the middle of the gauge. In severe driving conditions, such as very hot weather or a long period of uphill driving, the pointer may rise to the upper white mark. If it reaches the red "H" (Hot) mark, pull safely to the side of the road. Turn to page [202](#) for instructions and precautions on checking the engine's cooling system.

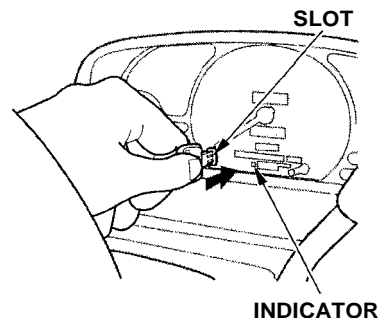
Fuel Gauge

This shows how much fuel you have. It is most accurate when the car is on level ground. It may show slightly more or less than the actual amount when you are driving on curvy or hilly roads.

The gauge stays at the same fuel level reading after you turn off the ignition. When you add fuel, the gauge slowly changes to the new reading after you turn the ignition back ON (II).

Maintenance Required Indicator

This indicator reminds you that it is nearing 12,000 km (7,500 miles) since the last scheduled maintenance. Refer to the Maintenance Schedules for Normal and Severe driving conditions on page [140](#).



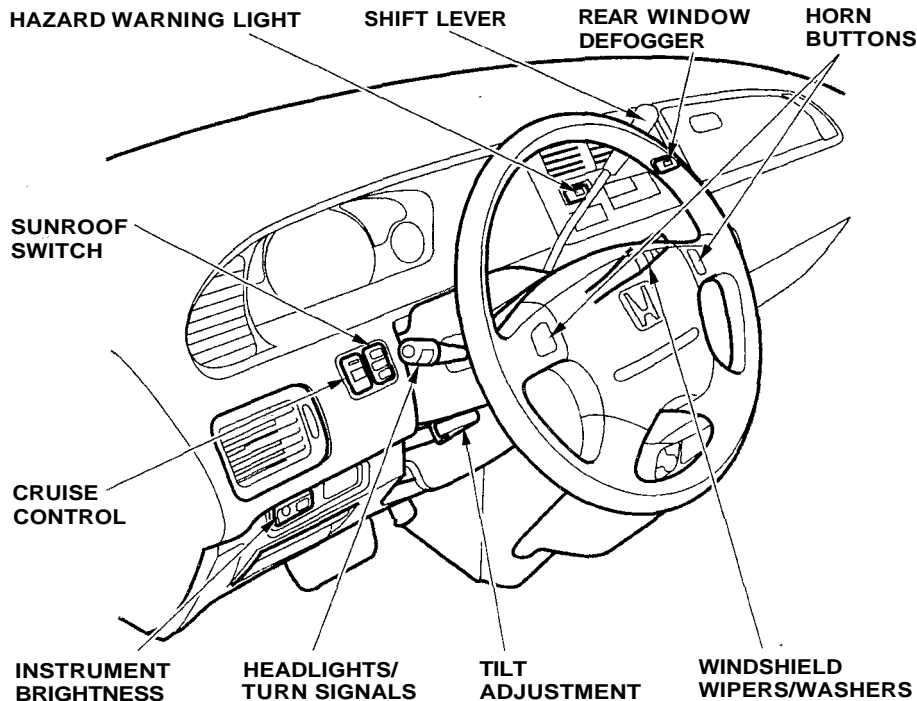
When the distance driven since the last scheduled maintenance nears 12,000 km (7,500 miles), the indicator will turn yellow. If you exceed 12,000 km (7,500 miles), the indicator will turn red. Your dealer will reset the indicator when he performs the scheduled maintenance. If someone else performs the maintenance, reset the indicator by inserting your key in the slot beside the indicator.

The two levers on the steering column contain controls for driving features you use most often. The left lever controls the turn signals, headlights, and high beams. The right lever controls the windshield wipers.

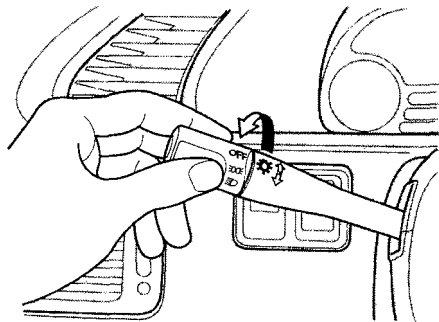
The rear window defogger switch and hazard warning switch are on the dashboard under the center air vent.

The controls near the left air vent are for the sunroof, cruise control and instrument panel brightness.

The lever on the underside of the steering column allows you to tilt the steering wheel.

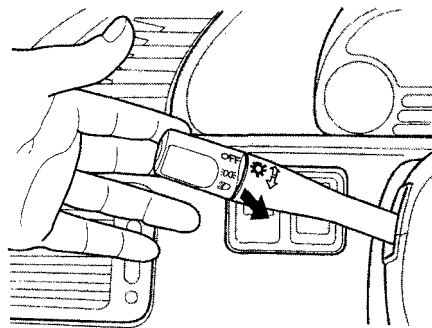


Headlights



The rotating switch on the left lever controls the lights. Turning this switch to the first position “ P ” turns on the parking lights, taillights, instrument panel lights, side-marker lights, and rear license plate lights. Turning the switch to the second position “ L ” turns on the headlights.

If you leave the lights on with the ignition switch in ACCESSORY (I) or LOCK (0), you will hear a reminder chime when you open the driver's door.



To change between low beams and high beams, pull back on the turn signal lever until you hear a click, then let go. The blue high beam indicator will light (see page 36).

To flash the high beams, pull back and hold the turn signal lever. Release the lever and the high beams will go off.

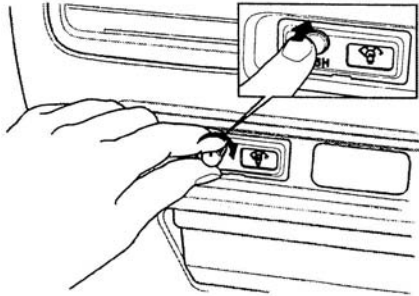
The high beams will stay on for as long as you hold the lever, no matter what position the headlight switch is in.

Daytime Running Lights (Canadian Models)

With the headlight switch off, the high beam headlights come on with reduced brightness when you turn the ignition switch to ON (II) and release the parking brake. They remain on until you turn the ignition off, even if you set the parking brake.

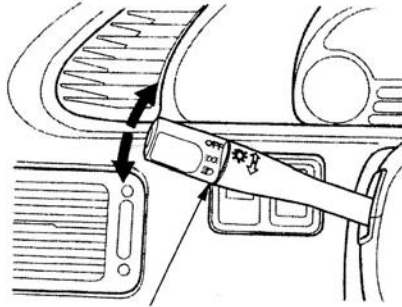
The headlights revert to normal operation when you turn them on with the switch.

Instrument Panel Brightness



The knob on the dashboard to the left of the steering column controls the brightness of the instrument panel lights. Push the knob to get it to pop out. Turn the knob to adjust the brightness.

Turn Signals

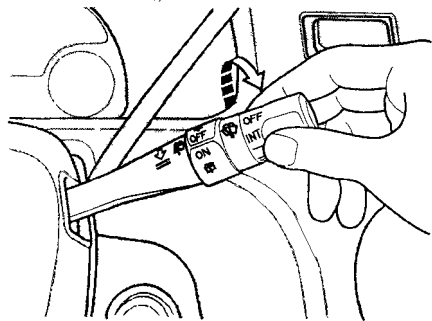


TURN SIGNAL LEVER

Signal a turn or lane change with this lever. Push down on the lever to signal a left turn, and up to signal a right turn. If you push it up or down all the way, the turn signal continues to blink even when you release the lever. It shuts off automatically as you complete the turn.

To signal a lane change, push lightly on the turn signal lever in the proper direction and hold it. The lever will return to the center position as soon as you release it.

Windshield Wipers



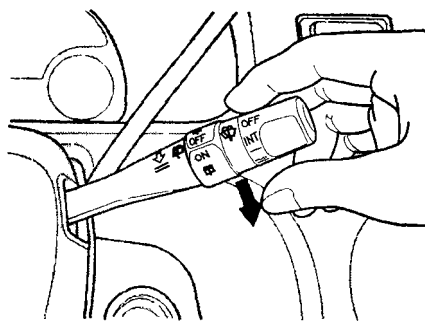
The right lever controls the windshield wipers and washers. The rotary switch at the end of the lever has three positions:

INT: intermittent

— : low speed

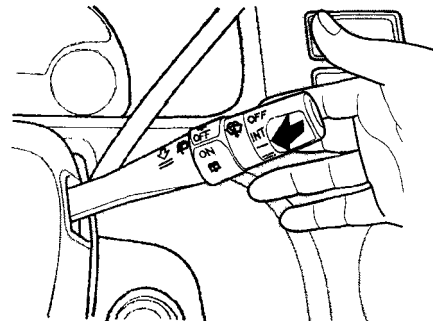
— — : high speed

In intermittent, the wipers operate every few seconds. In low speed and high speed, the wipers run continuously.



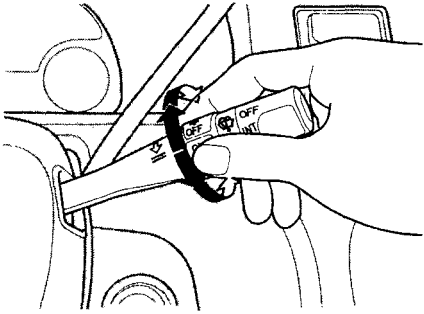
To operate the wipers in mist mode, push the control lever down. The wipers run at high speed until you release the lever. This gives you a quick way to clear the windshield.

Windshield Washers



To clean the windshield, pull back of the wiper control lever. The washers spray until you release the lever. The wipers run at low speed while you're pulling the lever, then complete one more sweep of the windshield after you release it.

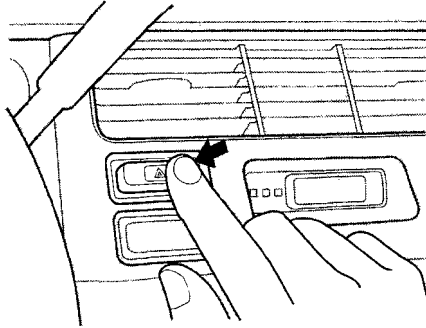
Rear Window Wiper and Washer



The rear window wiper switch is located next to the windshield wiper switch.

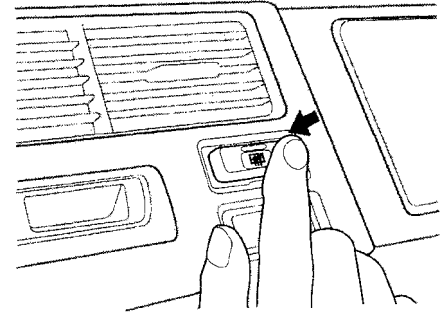
To activate the rear windshield wiper, turn the switch "ON". If you wish to use the wiper and washer, turn and hold the switch one position up from "ON". To use the washer only, turn and hold the switch one position down from "OFF".

Hazard Warning



Push the red button to the left of the clock to turn on the hazard warning lights (four-way flashers). This causes all four outside turn signals and both indicators in the instrument panel to flash. Use the hazard warning lights if you need to park in a dangerous area near heavy traffic, or if your car is disabled.

Rear Window Defogger



The rear window defogger will clear fog, frost, and thin ice from the window. Push the defogger button to turn it on and off. The light in the button lights to show the defogger is on. If you do not turn it off, the defogger will shut itself off after about 25 minutes. It also shuts off when you turn off the ignition. You have to turn it on again when you restart the car.

CONTINUED

Make sure the rear window is clear and you have good visibility before starting to drive.

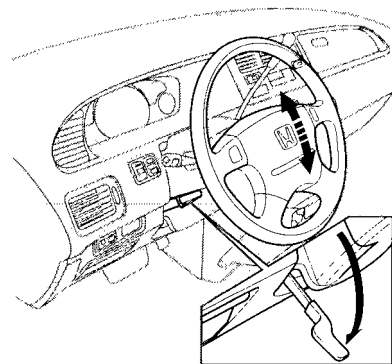
The defogger wires on the inside of the rear window can be accidentally damaged. When cleaning the glass, always wipe side to side.

Steering Wheel Adjustment

You can adjust the steering wheel height to suit your preference. Do this before you begin driving.

Adjusting the steering wheel position while driving may cause you to lose control of the car and be seriously injured in a crash.

Adjust the steering wheel only when the car is stopped.



1. Adjust the seat so you are a comfortable distance from the pedals.
2. The lever to tilt the steering wheel is under the steering column to the left. Push this lever all the way down.

3. Move the steering wheel up or down to the desired position. Position the wheel so you can see all the instrument panel gauges and warning lights. Push the lever up to lock the steering wheel in that position.
4. Make sure you have securely locked the steering wheel in place by trying to move it up and down.

Cruise Control

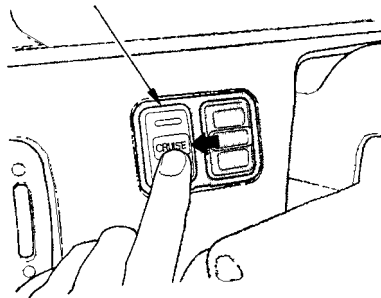
Cruise control allows you to maintain a set speed above 25 mph (40 km/h) without keeping your foot on the accelerator pedal. It is for cruising on straight, open highways. It is not recommended for conditions such as city driving, winding roads, slippery roads, heavy rain, or bad weather. You should have full control of the car under those conditions.

Improper use of the cruise control can lead to a crash.

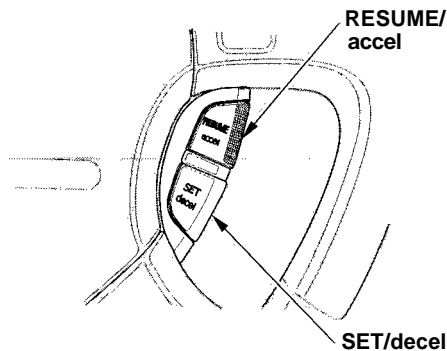
Use the cruise control only when traveling on open highways in good weather.

Using the Cruise Control

CRUISE CONTROL MASTER SWITCH



1. Push in the Cruise Control Master Switch to the left of the steering column. The indicator in the switch will light.
2. Accelerate to the desired cruising speed above 25 mph (40 km/h).



3. Press and hold the SET/decel button on the steering wheel until the CRUISE CONTROL light on the instrument panel comes on. This shows the system is now activated.

The set speed may vary slightly, particularly on hills.

Changing the Set Speed

You can increase the set cruising speed in either of two ways:

- Press and hold the RESUME/accel button. The car will accelerate slowly. When you reach the desired cruising speed, release the button.
- Push on the accelerator pedal. Accelerate to the desired cruising speed and press the SET/decel button.

You can decrease the set cruising speed in either of two ways:

- Press and hold the SET/decel button. The car will decelerate. Release the button when you reach the desired speed.
- Tap the brake pedal lightly with your foot. The CRUISE CONTROL light on the instrument panel will go out. When the car slows to the desired speed, press the SET/decel button. The car will then maintain the desired speed.

CONTINUED

Even with the cruise control turned on, you can still use the accelerator pedal to speed up for passing. After completing the pass, take your foot off the accelerator pedal. The car will return to the set cruising speed.

Resting your foot on the brake or clutch pedal will cause the cruise control to cancel.

Canceling the Cruise Control

Any of these actions cause the cruise control to cancel.

- Tap the brake pedal.
- Press the SET/decel and RESUME/accel buttons at the same time.
- Press the Cruise Control Master Switch.

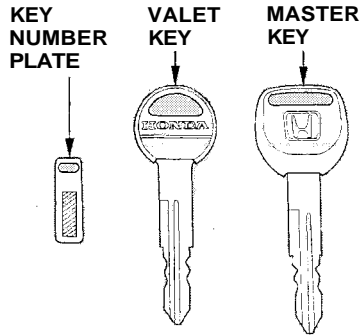
When you tap the brake pedal, or press the SET and RESUME buttons at the same time, the CRUISE CONTROL light on the instrument panel will go out and the car will begin to slow down. You can use the accelerator pedal in the normal way.

If you use the brake pedal to cancel cruise control, the system retains the previously-set cruising speed. To return to that speed, accelerate to above 25 mph (40 km/h) and press the RESUME/accel button until the CRUISE CONTROL light comes on. The car will accelerate to the same cruising speed as before.

If you cancel cruise control by pressing the SET and RESUME buttons at the same time, the previously-set cruising speed is erased. To use the cruise control, accelerate to the desired cruising speed and press the SET/decel button.

Pressing the Cruise Control Master Switch turns the system completely off and erases the previous cruising speed from memory. To use the system again, refer to ***Using the Cruise Control.***

Keys



Your car comes with two kinds of keys: a master key and a valet key. The master key fits all locks on your car:

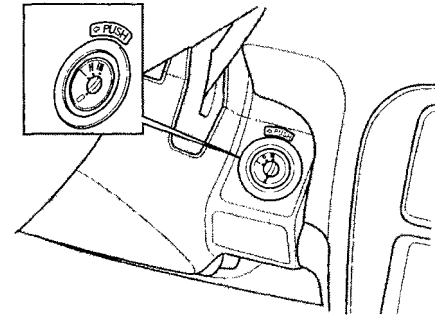
- Ignition
- Doors
- Glove box
- Tailgate

The valet key only works the ignition and the door locks. You can keep the glove box locked when you leave your car and valet key at a parking facility.

You should have received a key number plate with your set of keys. You will need this key number if you ever have to replace a lost key. Store this plate in a safe place.

When replacing keys, use only Honda-approved key blanks.

Ignition Switch



The ignition switch is on the right side of the steering column. It has four positions: LOCK (0), ACCESSORY (I), ON (II), and START (III).

LOCK (0) — You can insert or remove the key only in this position. When you turn the key from LOCK to ACCESSORY, you may have to turn the steering wheel to release the anti-theft lock. To switch from ACCESSORY to LOCK, you must push the key in slightly as you turn it. The shift lever must also be in Park. The anti-theft lock will lock the steering column when you remove the key.

ACCESSORY (I) — In this position, you can operate the audio system and cigarette lighter.

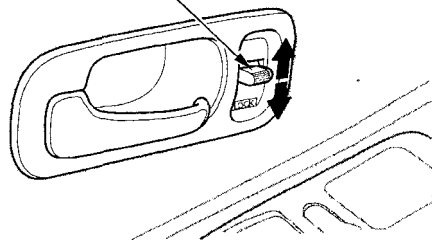
ON (II) — This is the normal key position when driving. All features and accessories on the car are usable. Several of the lights on the instrument panel come on as a test when you turn the ignition switch from ACCESSORY to ON (see page 35).

START (III) — Use this position only to start the engine. The switch returns to ON when you let go of the key.

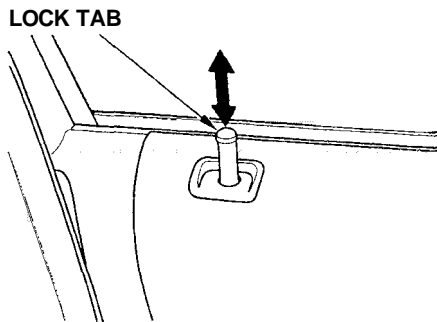
You will hear a reminder beeper if you open the driver's door with the key in the LOCK or ACCESSORY position. Remove the key to turn it off.

Power Door Locks

MASTER DOOR LOCK SWITCH



Each front door has a master door lock switch. Either switch locks and unlocks all doors. Push the switch down to lock all doors, and up to unlock them. The lock tab on the tailgate also locks and unlocks when you use the master door lock switch.



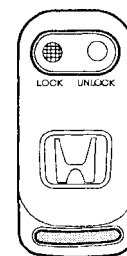
Each door also has a lock tab on the top. When you push down the lock tab on the driver's door, all the doors and the tailgate lock. Pulling up the lock tab on the driver's door unlocks only that door. The lock tab on each passenger's door locks and unlocks only that door.

To lock any passenger's door when getting out of the car, push the lock tab in and close the door. To lock the driver's door, pull the outside door handle and push the lock tab in or push the master switch down. Release the handle, then close the door.

All doors and the tailgate can be locked from the outside by using the key in either front door. To unlock only the driver's door from the outside, turn the key and release it. If you turn the key and hold it, all doors and the tailgate will unlock. All four doors and the tailgate will unlock when you unlock the passenger's door with the key.

Remote Transmitter

U.S. EX model



You can lock and unlock your car using the remote transmitter. If you push "LOCK" on the transmitter, all doors and the tailgate will lock.

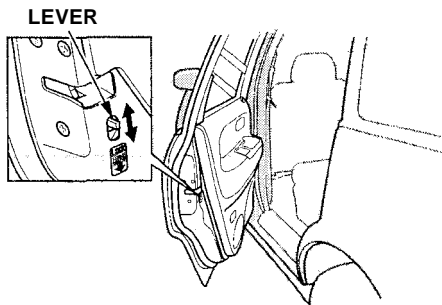
If you push "UNLOCK" once, only the driver's door will unlock; if you push "UNLOCK" again, all doors and the tailgate will unlock.

If you use the unlock feature on the remote transmitter, and a door or the tailgate is not opened within 20 seconds, all doors and the tailgate will automatically lock. The remote transmitter will not work if the key is in the ignition.

This device complies with Part 15 of the FCC rules. Operation is subject to the following two conditions: (1) This device may not cause harmful interference, and (2) this device must accept any interference received, including interference that may cause undesired operation.

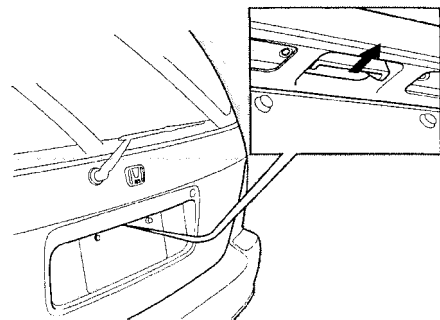
Changes or modifications not expressly approved by the party responsible for compliance should void the user's authority to operate the equipment.

Childproof Door Locks



The childproof door locks are designed to prevent children seated in the rear from accidentally opening the rear doors. Each rear door has a lock lever near the edge. With the lever in the LOCK position, the door cannot be opened from the inside regardless of the position of the lock tab. To open the door, pull the lock tab up and use the outside door handle.

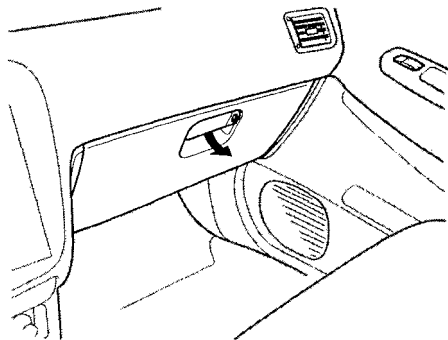
Tailgate



Use your key to lock and unlock the tailgate. (On the U.S. EX model, you remote transmitter will also lock and unlock the tailgate.)

To open the tailgate, pull the handle, then lift up the tailgate.

Glove Box

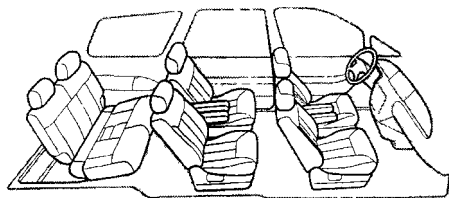


An open glove box can cause serious injury to your passenger in a crash, even if the passenger is wearing the seat belt.

Always keep the glove box closed while driving.

Open the glove box by pulling the bottom of the handle. Close it with a firm push. Lock or unlock the glove box with the master key.

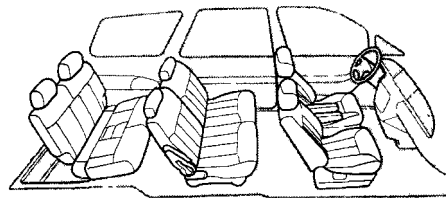
Passenger Seating



Six-passenger model

The six-passenger model has separate seats with armrests for two front passengers, separate seats with armrests for two passengers in the second row, and a bench seat for two passengers in the third row.

For greater cargo capacity, the seats in the second row can be removed, and the bench seat in the third row can be folded into the floor.

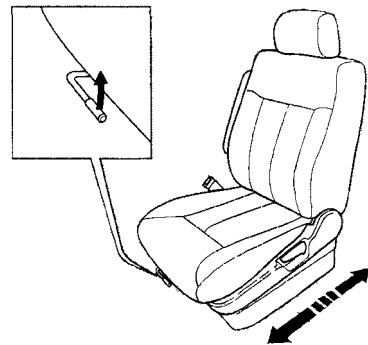


Seven-passenger model

The seven-passenger model has separate seats with armrests for two front passengers, a bench seat for three passengers in the second row, and a bench seat for two passengers in the third row.

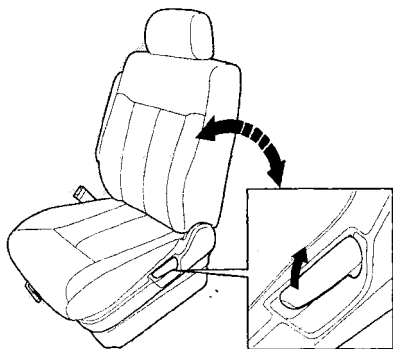
For greater cargo capacity, the seat in the second row can be folded out of the way in sections, and the bench seat in the third row can be folded into the floor.

Seat Adjustments



Adjust the seat before you start driving.

To adjust the seat forward and backward, pull up on the lever under the seat cushion's front edge. Move the seat to the desired position and release the lever. Try to move the seat to make sure it is locked in position.



Adjust the seat-back before you start driving. The seat-backs should be in an upright position for you and your passengers to get the most protection from the seat belts.

To change the seat-back angle of the front seats, or the second-row seats in the six passenger model, pull up on the lever on the outside of the seat bottom. To adjust the seat-back angle of the second seat in the seven-

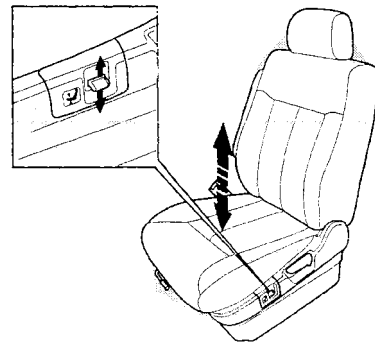
passenger model, pull up on the lever on the side of the seat-back. Move the seat-back to the desired position and release the lever. Let the seat-back latch in the new position.

Reclining the seat-back can decrease the protection you get from your seat belt in a crash.

You can slide under the seat belt and be seriously injured.

Adjust the seat-back to an upright position and sit well back in the seat.

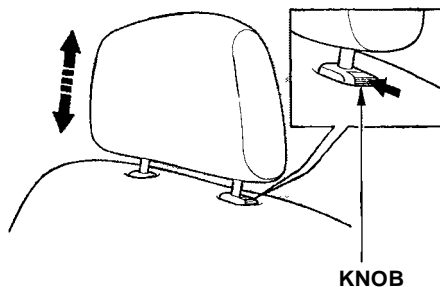
Driver's Seat Power Height Adjustment



U.S. EX model only

The height of your driver's seat is power adjustable. Pull up on the switch to raise the seat. Push it down to lower the seat.

Head Restraints



The head restraints are designed to help reduce the risk of neck injuries. Your Honda has adjustable head restraints in all the outside seating positions. Adjust the head restraint so the top is even with the tops of your ears.

The head restraints adjust for height. You need both hands to adjust the restraint. Do not attempt to adjust it while driving. To raise it, pull upward. To lower the restraint, press the release button and push the restraint down.

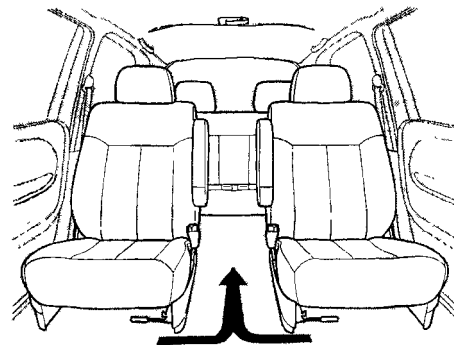
To remove a head restraint for cleaning or repair, pull it up as far as it will go. Push the release button and pull the restraint out of the seat-back.

Driving your vehicle without head restraints can lead to a serious injury to you and your passengers in a crash.

Make sure the head restraints are in place and adjusted properly before driving.

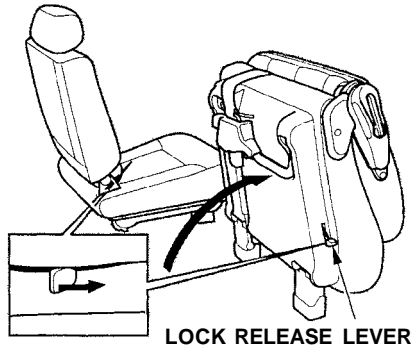
Third Seat Access

Six-passenger model



To get into or out of the third row seat, walk between the second row seats.

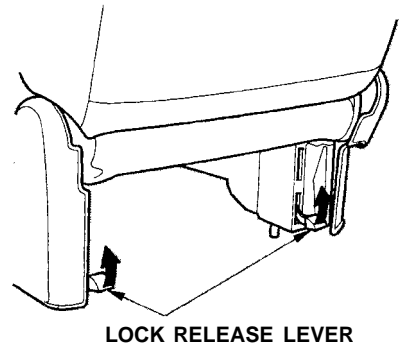
Seven-passenger model



Pull the seat-back angle adjustment lever on the second row seat to tilt the seat-back forward. Pull the lock release lever and pivot the seat up out of the way.

Move the second seat back into place by pivoting the seat down. Make sure it locks to the floor. Pull the seat-back angle adjustment lever forward and push the seat-back to the desired position, then release the lever. Make sure the seat is securely locked in place.

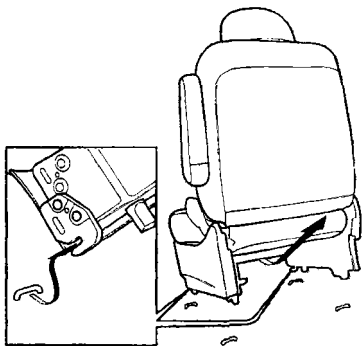
Removing the Second Seats in the Six-Passenger Model



Both seats can be removed to give more cargo capacity.

To remove a seat, unlock the seat from the floor by pulling both lock release levers up at the same time and pulling up on the rear of the seat.

CONTINUED



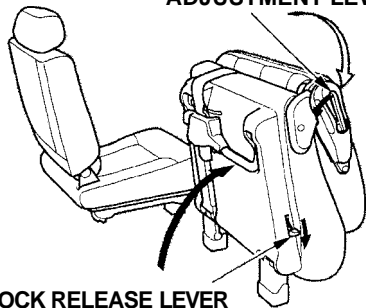
Unhook the front of the seat from the floor by pulling it back slightly, then pivoting it upward.

Always remove an unlocked seat from the vehicle before driving. A seat that is not locked in place could fly around and cause injury in a sudden stop or crash.

To reinstall a seat, hook the front of the seat to the floor, then push the back into the locks. Make sure both the front and the back of the seat are securely fastened down before driving.

Folding the Second Seats in the Seven-Passenger Model

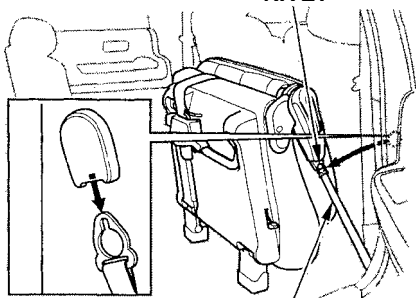
The left and right halves of the second seat can be folded up separately to create more cargo space.

SEAT-BACK ANGLE
ADJUSTMENT LEVER

LOCK RELEASE LEVER

Pull the seat-back angle adjustment lever and tilt the seat-back forward. Then pull the lock release lever and pivot the seat forward.

RIVET



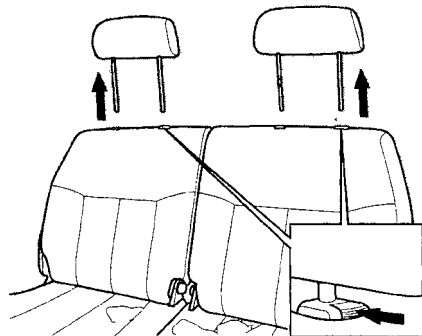
FASTENING STRAP

Pull out the fastening strap. Hook the ring on the fastening strap to the rivet on the side of the seat-back. Make sure the seat is secure.

Reverse this procedure to return the seat to the upright position. Make sure you store the fastening strap properly, and that the seat is locked securely before driving.

Reclining the Second Seat

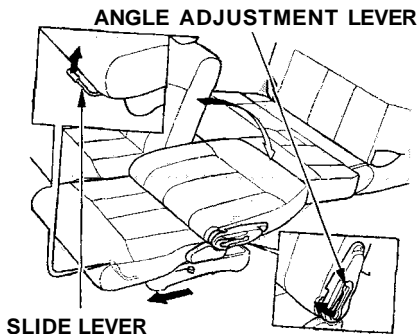
Seven-passenger model only



You can recline the seat-backs on the second seat so they are level with the seat cushion of the third seat, making a large, cushioned area. To do this:

1. Remove the head restraints. Store them in the pocket in the left side panel behind the third seat.

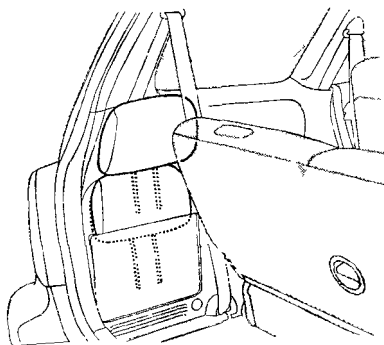
CONTINUED



2. Lift the lever and slide the seat forward as far as it will go. Pull the seat-back angle adjustment lever and pivot the seat-back backward. Release the lever when the seat-back is even with the cushion on the third seat.

Reverse this procedure to return the second seat to the upright position. Make sure you install the head restraints before driving (see page 56).

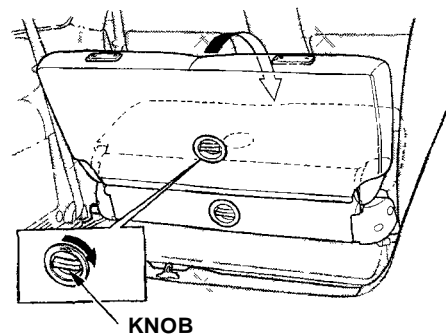
Folding the Third Seat in All Models



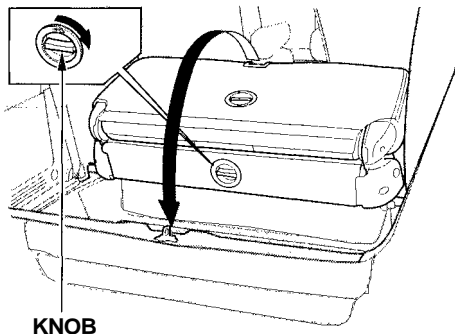
To create more cargo space, you can fold the third seat into the floor recess.

To fold the third seat:

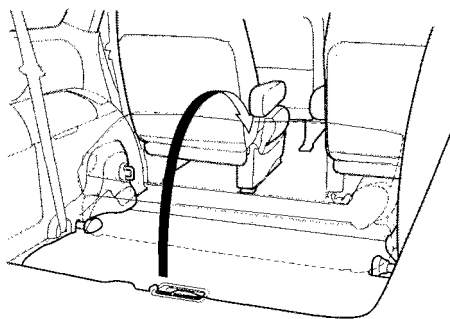
1. Remove the head restraints. Store them in the pocket in the left side panel.



2. Unlock the seat-back by turning the knob. Push the seat-back forward.

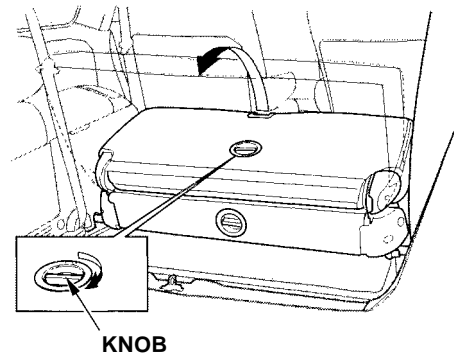


3. Turn the knob on the back of the seat cushion while you pull the entire seat towards you. Pivot the seat into the floor recess.



To return the seat to the upright position:

1. Pull the seat out of the recess by pulling on the handle. Pivot the seat forward all the way.

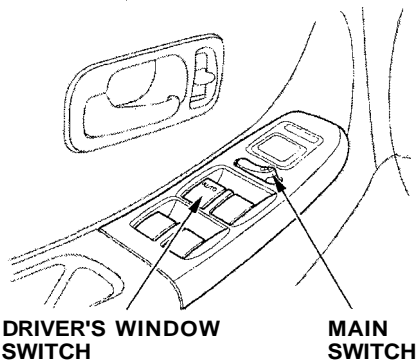


2. Turn the knob on the seat-back and pull the seat-back upright. Make sure the seat is securely locked in place.
3. Reinstall the head restraints.

Power Windows

Your car's windows are electrically-powered. Turn the ignition switch to ON (II) to raise or lower any window.

Each door has a switch that controls its window. To open the window, push the switch down and hold it. Release the switch when you want the window to stop. Close the window by pulling back on the switch and holding it.



The driver's armrest has a master power window control panel. To open any of the passengers' windows, push down on the appropriate switch and hold it down until the window reaches the desired position. To close the window, pull back on the window switch. Release the switch when the window gets to the position you want.

The master control panel also contains these extra features:

AUTO — To open the driver's window fully, push the window switch firmly down and release it. The window automatically goes all the way down. To stop the window from going all the way down, pull back on the window switch briefly.

To open the driver's window only partially, push the window switch down lightly and hold it. The window will stop as soon as you release the switch.

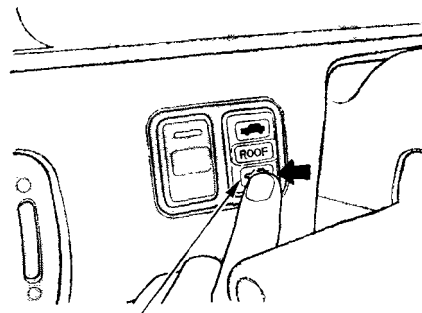
The AUTO function only works to lower the driver's window. To raise the window, you must pull back on the window switch and hold it until the window reaches the desired position.

The MAIN switch controls power to the passengers' windows. With this switch off, the passengers' windows cannot be raised or lowered. The MAIN switch does not affect the driver's window. Keep the MAIN switch off when you have children in the car so they do not injure themselves by operating the windows unintentionally.

Closing a power window on a child's hands or fingers can cause serious injury.

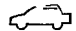

Make sure your children are away from the windows before closing them.

Sunroof



SUNROOF SWITCH

On some models

Use the switch on the dashboard to open and close the sunroof. The ignition must be ON (II). Push and hold the  switch to open the sunroof. Release the switch when the sunroof reaches the desired position. To close the sunroof, press and hold the  switch.

CONTINUED

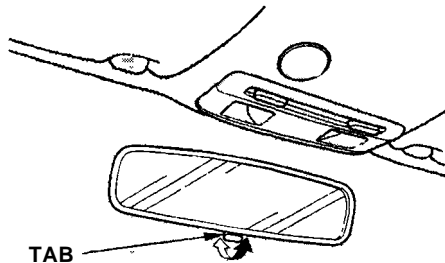
Closing the sunroof on someone's hands or fingers can cause serious injury.

Make sure passengers are clear of the sunroof before closing it.

NOTICE

If you try to open the sunroof in below-freezing temperatures, or when it is covered with snow or ice, you can damage the sunroof panel or motor.

Mirrors

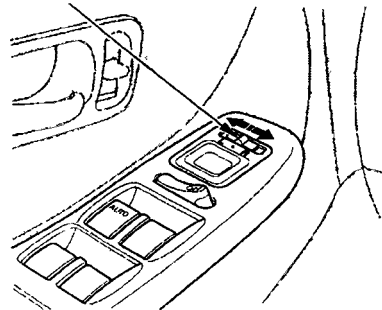


Keep the inside and outside mirrors clean and adjusted for best visibility. Be sure to adjust the mirrors before you start driving.

The inside mirror has day and night positions. The night position reduces glare from headlights behind you. Flip the tab on the bottom edge of the mirror to select the day or night position.

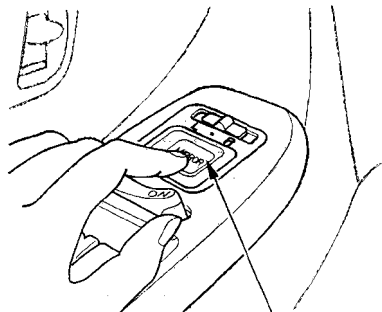
Adjusting the Power Mirrors

SELECTOR SWITCH



Adjust the outside mirrors with the adjustment switch on the driver's door armrest:

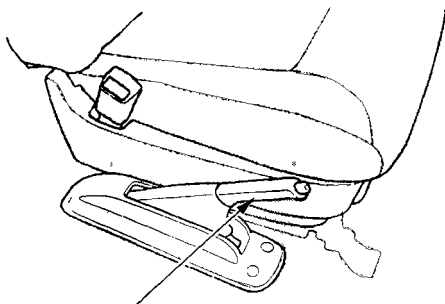
1. Turn the ignition switch ON (II).
2. Move the selector switch to L (driver's side) or R (passenger's side).



ADJUSTMENT SWITCH

3. Push the appropriate edge of the adjustment switch to move the mirror right, left, up or down.
4. When you finish, move the selector switch to the center (off) position. This turns off the adjustment switch so you can't move a mirror out of position by accidentally bumping the switch.

Parking Brake



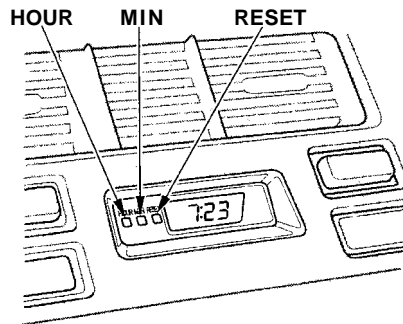
PARKING BRAKE LEVER

To apply the parking brake, pull the lever up fully. To release it, pull up slightly, push the button, and lower the lever. The parking brake light on the instrument panel should go out when the parking brake is fully released (see page 36). If you try to drive the car without releasing the parking brake, the ABS cannot work properly.

NOTICE

Driving the car with the parking brake applied can damage the rear brakes and axles.

Digital Clock



The digital clock displays the time with the ignition switch ON (II). To set the clock:

1. Turn the ignition switch ON (II) to display the time.

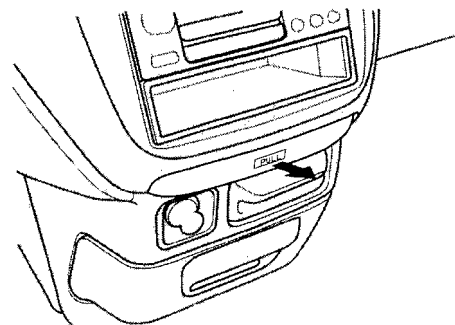
2. Press and hold the HOUR button until the hour advances to the desired time.
3. Press and hold the MIN. button until the numbers advance to the desired time.

You can use the RESET button to quickly set the time to the nearest hour. If the displayed time is before the half hour, pressing the RESET button sets the clock back to the previous hour. If the displayed time is after the half hour, pressing the RESET button sets the clock forward to the beginning of the next hour.

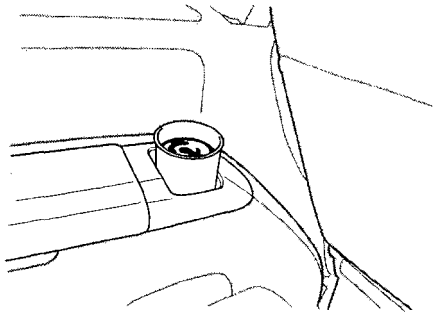
For example:

- 1:06 would RESET to 1:00.
- 1:52 would RESET to 2:00.

Beverage Holder



To use the front beverage holder, pull on the front. Push the holder all the way in to close it.



The beverage holder for the second seat passengers is located in the armrest on each rear door.

The third seat also has a beverage holder in each side panel.



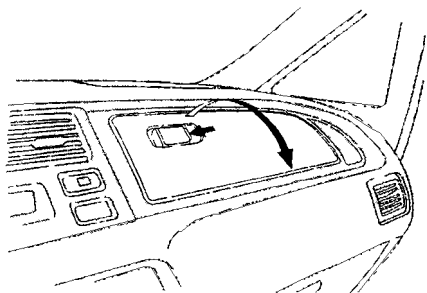
Use the beverage holder only when the car is parked. If you place cups in the holder while driving, the liquid may spill when you go over bumps or around corners.

Liquid can also spill from the holders by the second seat when you close the rear doors. A spilled liquid that is very hot can scald you or your passengers.

Spilled liquids can also damage the upholstery, carpeting, and electrical components in the interior.

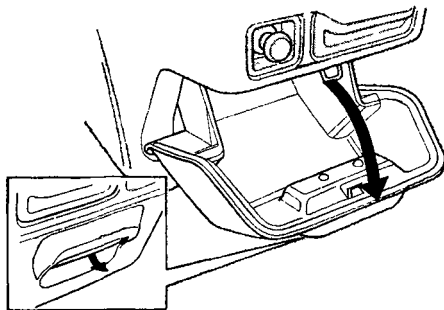
Dashboard Compartment, Center Pocket, Vanity Mirror

Dashboard Compartment



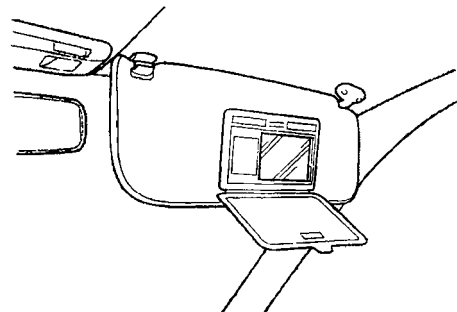
Open the dashboard compartment by squeezing the handle. Close it with a firm push.

Center Pocket



Open the center pocket by pulling the handle. Close it with a firm push. The light in the pocket comes on when the instrument panel lights are on.

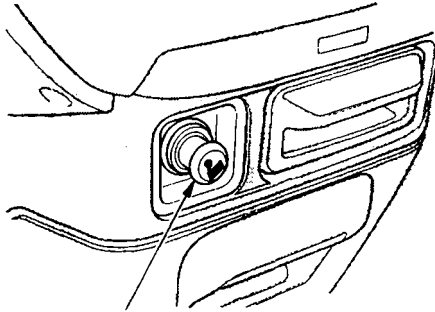
Vanity Mirror



To use the vanity mirror, pull down either sun visor and swing down the cover.

The passenger's vanity mirror is lighted. The light beside the mirror comes on only when the light switch is turned on.

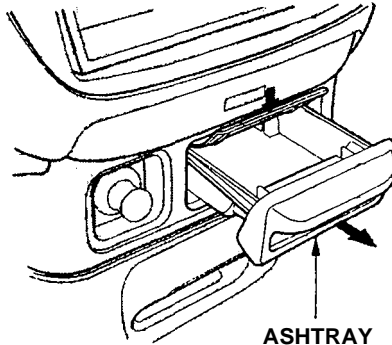
Cigarette Lighter



CIGARETTE LIGHTER

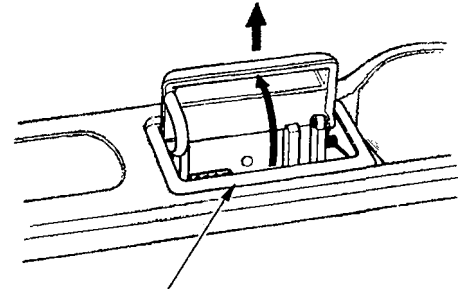
The ignition switch must be in **ACCESSORY (I)** or **ON (II)** for the cigarette lighter to work. To heat up the lighter, push it in. It will pop out when it is ready for use. Do not hold the lighter in while it is heating up, you could cause it to overheat.

Ashtrays



ASHTRAY

Open the front ashtray by pulling on the bottom edge. Push it in to close it. To remove the ashtray for emptying, push down on the metal plate inside, then pull the ashtray out completely.



ASHTRAY

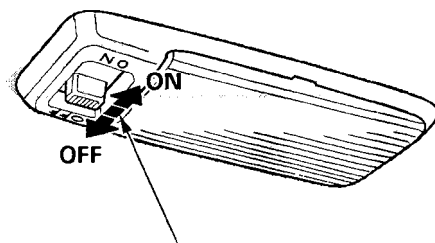
The rear ashtray is in the armrest on the left rear door. To use the rear ashtray, swing the lid open. To remove the rear ashtray, open the lid and pull it straight up.

CONTINUED

NOTICE

Use the ashtray only for cigarettes, cigars and other smoking materials. To prevent a possible fire and damage to your car, don't put paper or other things that can burn in the ashtray.

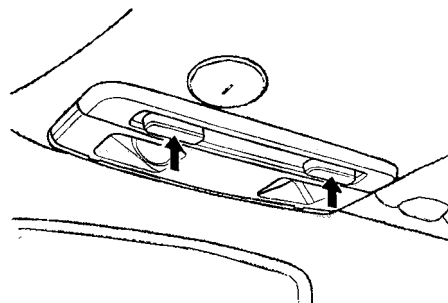
Ceiling Lights



DOOR ACTIVATED

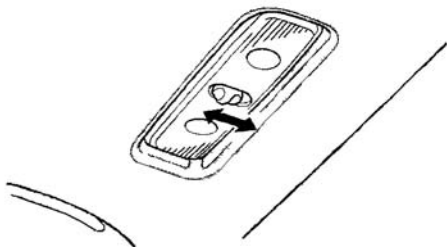
Your Honda has two ceiling lights. Each ceiling light has a three-position switch. In the OFF position, the lights do not come on. In the center position they come on when you open any door. In the ON position, they stay on continuously.

Spotlights



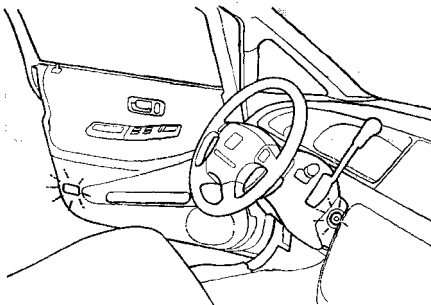
On some models
Turn on the spotlight by pushing the button next to each light. Push the button again to turn it off.

Tailgate Light



The tailgate light has a two position switch. In the OFF (down) position, the light does not come on. In the ON (up) position, the light comes on when you open the tailgate.

Courtesy Lights



Each door has a courtesy light. This light comes on when you open the door. Your car also has a courtesy light in the ignition switch. This light comes on when you open the driver's door. It remains on for several seconds after the door is closed.

The heating and air conditioning system in your car provides a comfortable driving environment in all weather conditions.

The standard audio system has many features. This section describes those features and how to use them. (If you selected an optional audio system, refer to the operating instructions that came with it.)

Some models have an anti-theft audio system that requires a code number to enable it.

Heating and Cooling.....	74
What Each Control Does.....	74
How to Use the System.....	76
To Turn Everything Off	81
Rear A/C Unit.....	82
Audio System (U.S. LX and Canadian EX).....	83
Operating the Radio.....	84
Adjusting the Sound.....	86
Radio Frequencies and Reception.....	86
Operating the Cassette Player...	87
Tape Search Functions.....	88
Caring for Cassettes.....	89
Operating the Optional CD Player/Changer.....	90
Audio System (U.S. EX).....	92
Operating the Radio.....	93
Adjusting the Sound.....	96
Radio Frequencies.....	97
Radio Reception.....	97
Operating the Cassette Player...	99
Tape Search Functions.....	100
Caring for the Cassette Player.....	101

Operating the Optional CD Player/Changer.....	102
Protecting Compact Discs.....	104
CD Error Indications.....	105
Theft Protection.....	106

Heating and Cooling

Proper use of the Heating and Cooling system can make the interior dry and comfortable, and keep the windows clear for best visibility.

What Each Control Does

Fan Control Lever

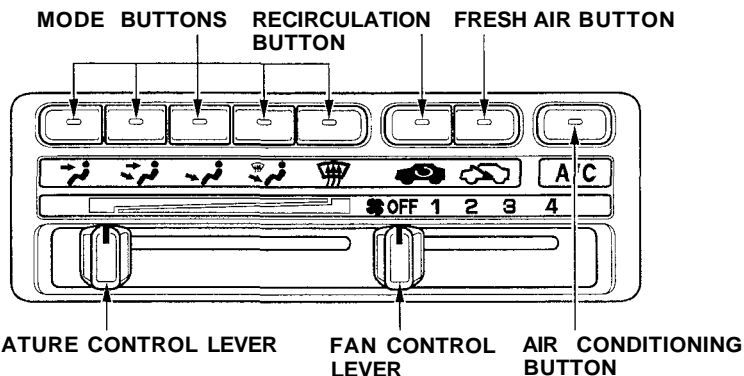
Sliding this lever to the right increases the fan's speed, which increases air flow.

Temperature Control Lever



Sliding this lever to the right increases the temperature of the air flow.

Air Conditioning (A/C) Button

This button turns the air conditioning ON and OFF. The indicator in the button lights when the A/C is on.





Fresh Air and Recirculation Buttons


These two buttons control the source of air going into the system. In Fresh Air mode , air comes from outside the car. In Recirculation mode , the interior air recycles through the system.


Mode Buttons


These buttons let you select which vents the air flows from.

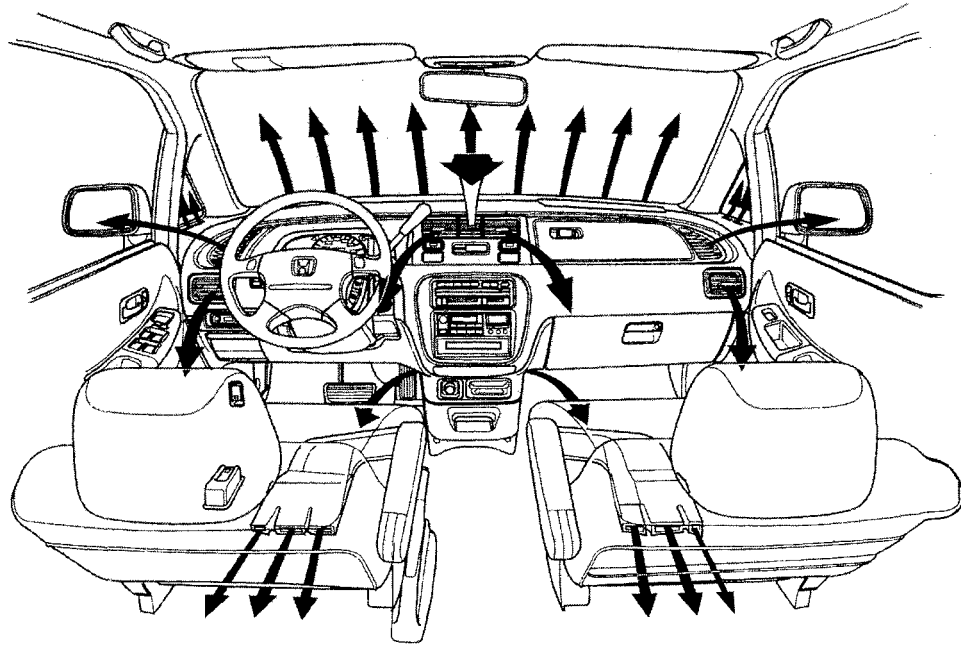
 Air flows from the center and corner vents in the dashboard.

 Air flow is divided between the vents in the dashboard and the floor vents.

 Air flows from the floor vents.

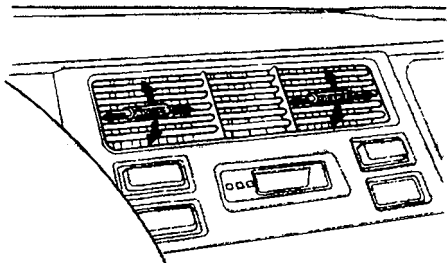
 Air flow is divided between the floor vents and the defroster vents at the base of the windshield.

 Air flows from the defroster vents at the base of the windshield.



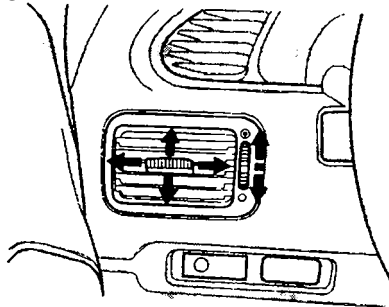
Vent Controls

CENTER VENT



You can adjust the direction of the air coming from the dashboard vents by moving the tab in the center of each vent up-and-down and side-to-side.

CORNER VENT







The vents in the corners of the dashboard can be opened and closed with the dials next to them.

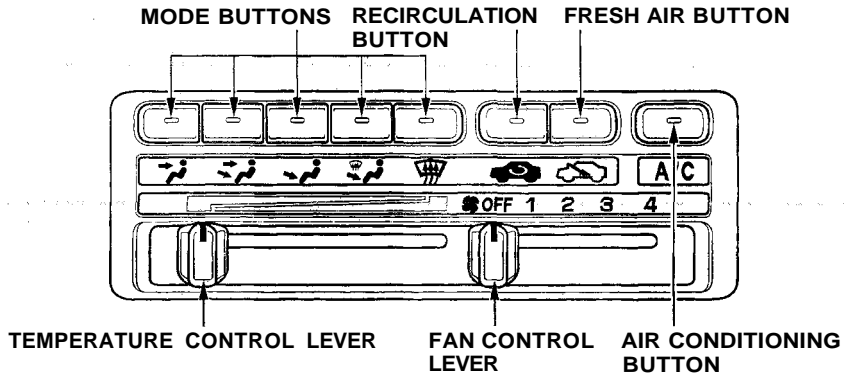
How to Use the System

This section covers how to set up the system controls for ventilation, heating, cooling, dehumidifying, and defrosting.

The engine must be running for the heater and air conditioning to generate hot and cold air. The heater uses engine coolant to warm the air. If the engine is cold, it will be several minutes before you feel warm air coming from the system. The air conditioning does not rely on engine temperature.



It is best to leave the system in  mode under almost all conditions. Keeping the system in  mode, particularly with the A/C off, can cause the windows to fog up. Switch to  mode when you are driving through smoky or dusty conditions, then switch back to  mode when the condition clears.

The outside air intakes for the heating and cooling system are at the base of the windshield. Keep these clear of leaves and other debris.



Ventilation



The flow-through ventilation system draws in outside air, circulates it through the interior, then exhausts it through vents near the rear side panels.

1. Slide the temperature control lever all the way to the left. Make sure the A/C is off.
2. Select  and .
3. Set the fan to the desired speed.



CONTINUED

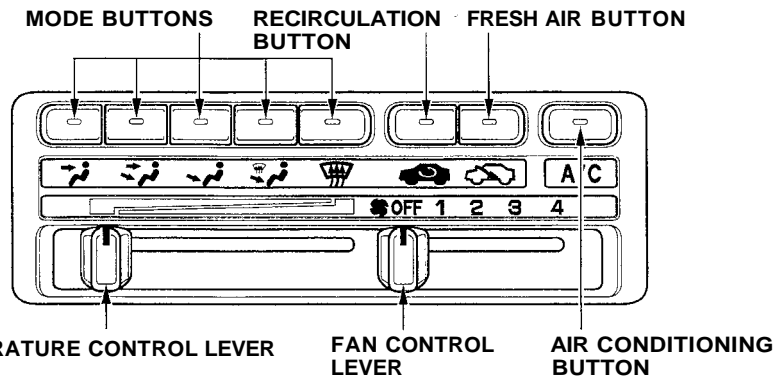
Heating and Cooling

To Cool with A/C

1. Turn on the A/C by pressing the button. The light in the button should come on.
2. Make sure the temperature control lever is all the way to the left.
3. Select  and .
4. Set the fan to the desired speed.

If the interior is very warm from being parked in the sun, you can cool it down more rapidly by setting up the controls this way:

1. Start the engine.
2. Turn on the A/C by pressing the button. Make sure the temperature control lever is all the way to the left.
3. Set the fan to maximum speed.
4. Open the windows partially. Select  and .


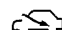


When the interior has cooled down to a more comfortable temperature, close the windows and set the controls as described for normal cooling.

Air conditioning places an extra load on the engine. Watch the engine coolant temperature gauge (see page 38) when driving in stop-and-go traffic or climbing a long, steep hill. If it moves near the red zone, turn off the A/C until the gauge reads normally.



To Heat

To warm the interior:

1. Start the engine.
2. Select  and .
3. Set the fan to the desired speed.
4. Adjust the warmth of the air with the temperature control lever.

To Heat and Dehumidify with Air Conditioning



Air conditioning, as it cools, removes moisture from the air. When used in combination with the heater, it makes the interior warm and dry.

1. Switch the fan on.
2. Turn on the air conditioning.
3. Select  and .
4. Adjust the temperature control lever so the mixture of heated and cooled air feels comfortable.

This setting is suitable for all driving conditions whenever the outside temperature is above 32°F (0°C).

To Defog and Defrost



To remove fog from the inside of the windows:



1. Switch the fan on.
2. Turn on the air conditioning.
3. Select  and .
4. Adjust the temperature control lever so the airflow from the defroster vents feels warm.
5. Turn on the rear window defogger to help clear the rear window.

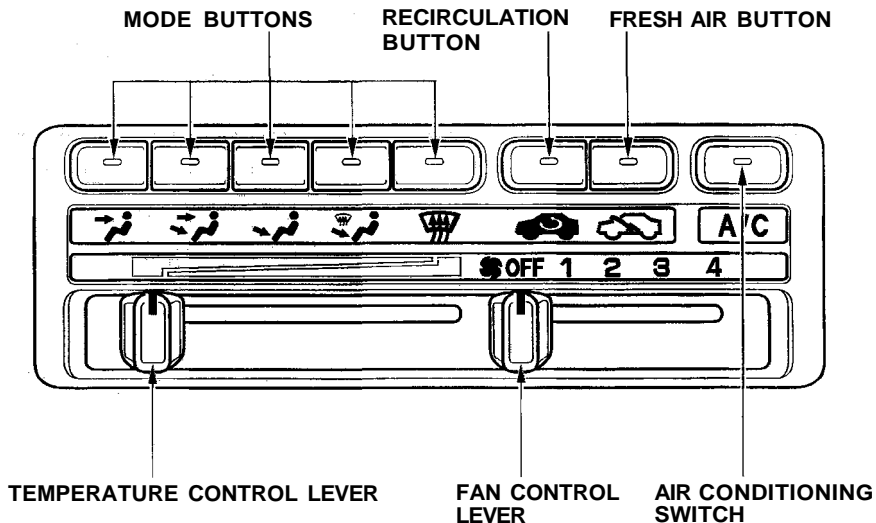
CONTINUED

Heating and Cooling

To remove exterior frost or ice from the windshield and side windows after the car has been sitting out in cold weather:

1. Start the engine.
2. Select  and .
3. Switch the fan and temperature controls to maximum.

To rapidly remove exterior frost or ice from the windshield (on very cold days), first select . Once the windshield is clear, select  to avoid fogging the windows.

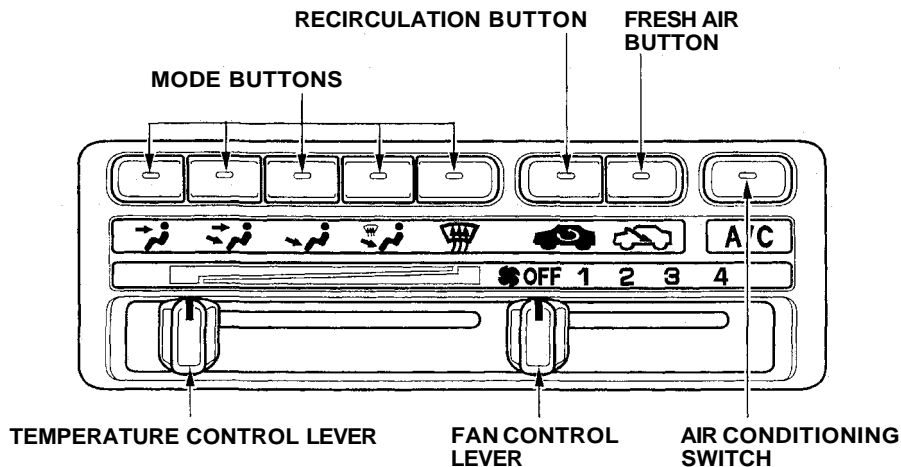


These settings direct all the air flow to the defroster vents at the base of the windshield and the side window defroster vents. The air flow will get warmer and clear the windows faster as the engine warms up. You can close the corner vents with the dial beside each vent. This will send more warm air to the windshield defroster vents.

For safety, make sure you have a clear view through all the windows before driving away.

To Turn Everything Off

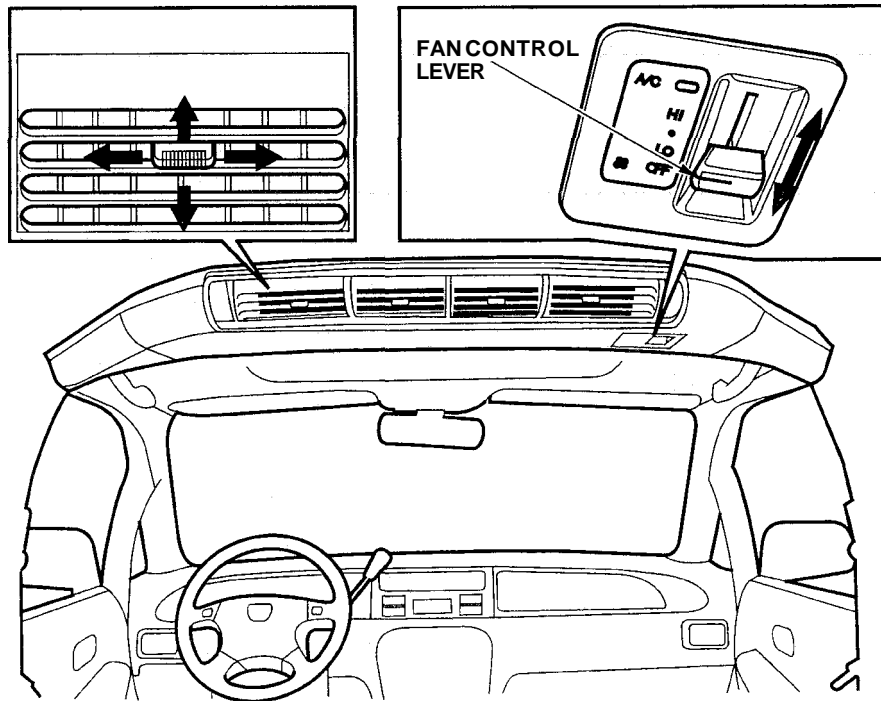
To shut off the system temporarily, slide the fan speed and temperature control levers all the way to the left.



You should shut the system completely off only for the first few minutes of driving in cold weather, until the engine coolant warms up enough to operate the heater. Keep the fan on at all other times so stale air does not build up in the interior.

Rear A/C Unit (U.S. models only)

The rear A/C can be used when the A/C switch on the front control panel is ON. Turn the rear A/C on by moving the fan control lever out of the "OFF" position. The indicator will come on. Adjust the fan speed by sliding the fan control lever. To change the direction of air flow, move the tab in the center of each vent up-and-down and side-to-side.



AM/FM/Cassette Stereo Audio System

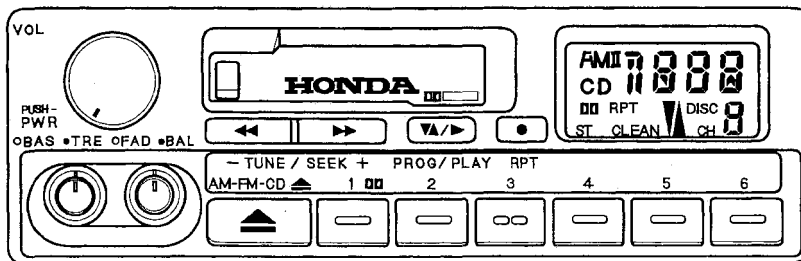
For U.S. LX and Canadian models

Your Honda's audio system provides clear reception on both AM and FM bands, while the preset buttons allow you to easily select your favorite stations.

The cassette system features Dolby B* noise reduction, automatic sensing of chromium-dioxide (CrO₂) tape, and autoreverse for continuous play.

* Dolby noise reduction manufactured under license from Dolby Laboratories Licensing Corporation. "DOLBY" and the double-D symbol

are trademarks of Dolby Laboratories Licensing Corporation.

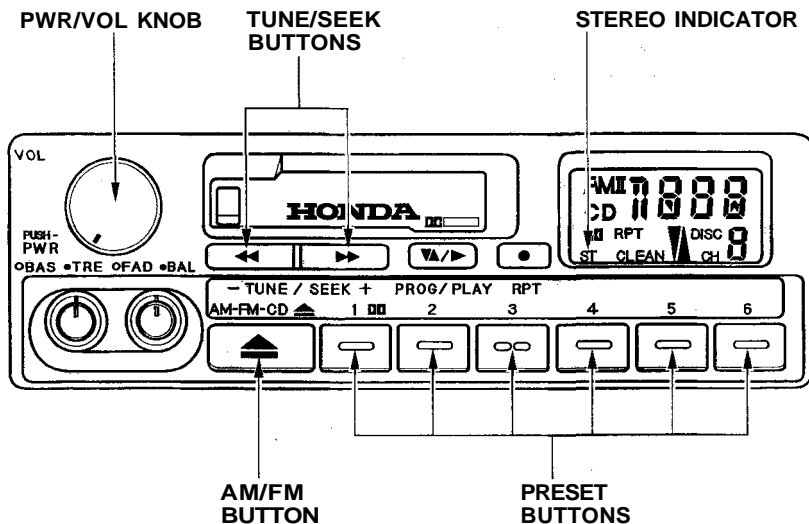


Operating the Radio

The ignition switch must be in ACCESSORY (I) or ON (II). Turn the system on by pushing the PWR/VOL knob.

Adjust the volume by turning the PWR/VOL knob.

The band and frequency that the radio was last tuned to is displayed. To change bands, press the AM/FM button. On the FM band, ST will be displayed if the station is broadcasting in stereo. Stereo reproduction on AM is not available.



You can use any of three methods to find radio stations on the selected band: TUNE, SEEK, or the Preset buttons.

TUNE — Use the TUNE/SEEK buttons to tune the radio to a desired frequency. Press (►►) to change to a higher frequency, and press (◀◀) to tune to a lower frequency. The frequency numbers will start to change rapidly. Release the switch when the display reaches the desired frequency. To change the frequency in small increments, press and release the appropriate TUNE/SEEK button.

SEEK — The SEEK function searches the band for a station with a strong signal. To activate it, push the TUNE/SEEK button until you hear a beep, then release it. Depending on which TUNE/SEEK button you pushed, the system scans upward or downward from the current frequency. It stops when it finds a station with a strong signal.

Preset — You can store the frequencies of your favorite radio stations in the six preset buttons. Each button will store one frequency on the AM band, and two on the FM band.

To store a frequency:

1. Select the desired band, AM or FM. FM1 and FM2 let you store two frequencies with each Preset button.
2. Use the TUNE or SEEK function to tune the radio to a desired station.
3. Pick the Preset button you want for that station. Press the button and hold it until you hear a beep.
4. Repeat steps 1 to 3 to store a total of six stations on AM and twelve on FM.

Once a station's frequency is stored, simply press and release the proper preset button to tune to it.

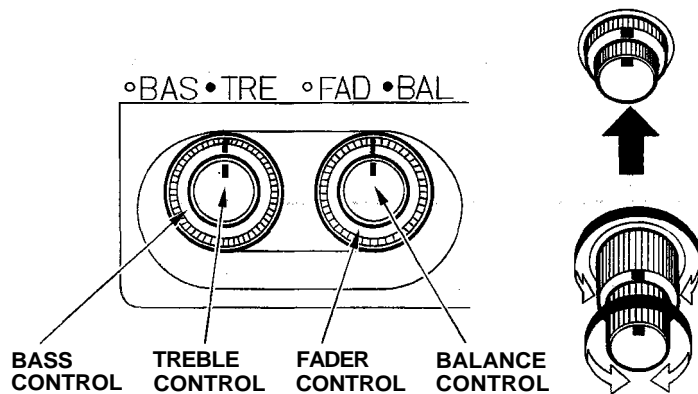
The preset frequencies will be lost if your vehicle's battery goes dead or is disconnected.

Adjusting the Sound

Balance/Fader — These two controls adjust the strength of the sound coming from each speaker. The Balance control adjusts the side-to-side strength, while the Fader control adjusts the front-to-back strength.

To use these controls, push on the knob to get them to pop out. Adjust the Fader to your liking by turning the outside ring. Adjust the Balance by turning the knob. Push the controls back in when you are done.

Treble/Bass — Use these controls to adjust the tone to your liking. Push on the controls to get them to pop out. Adjust the Bass by turning the outer ring. Adjust the Treble by turning the knob. Push the controls back in when you are finished so you cannot change the settings by accidentally bumping them.



You can use the Balance control knob to turn off the illumination of the audio system. Push the Balance/Fader controls so they pop out, then pull the Balance control knob out slightly farther. Check the Balance control knob if the audio system does not illuminate with the instrument panel lights.


Radio Frequencies and Reception

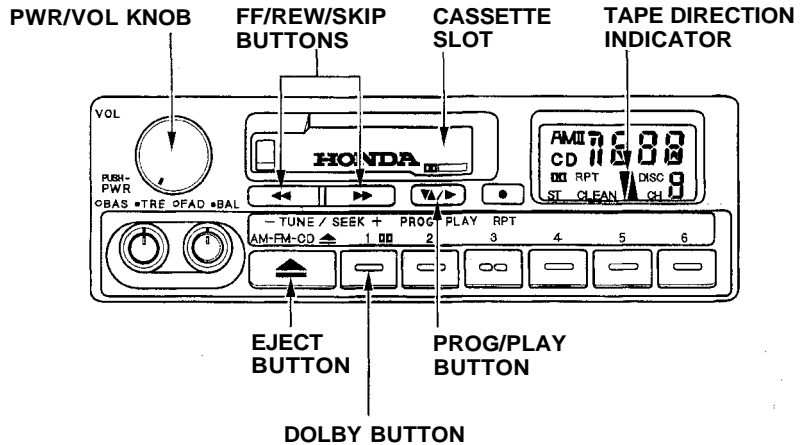
For information, See page [97](#).

Operating the Cassette Player

Turn the audio system ON. Make sure the tape opening on the cassette is facing to the right, then insert the cassette most of the way into the slot. The system will pull it in the rest of the way, and begin to play.

The tape direction indicator will light to show you which side of the cassette is playing. The ▲ indicates the side you inserted facing upward is now playing. If you want to play the other side, press the PROG/PLAY button.

Dolby B noise reduction turns on when you insert a cassette. If the tape was not recorded with Dolby B noise reduction, turn it off by pressing the  button.

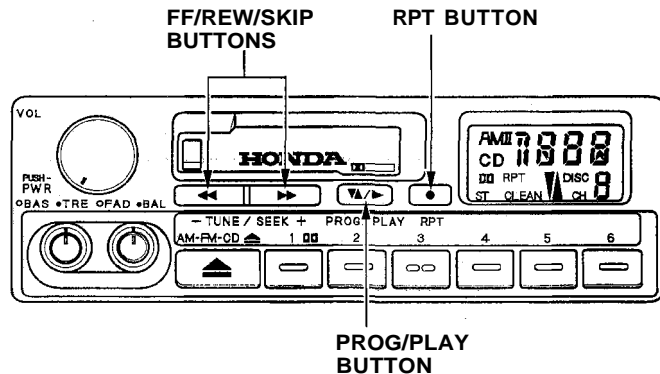


When the system reaches the end of the tape, it will automatically reverse direction and play the other side. If you want to remove the cassette from the drive, press the EJECT button.

Tape Search Functions

With a cassette playing, you can use the FF, REW, RPT, or SKIP function to find a desired program.

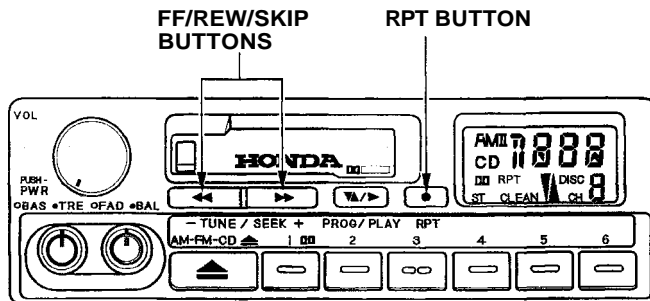
FF/REW — Fast Forward and Rewind move the tape rapidly. To rewind the tape, push the ◀ button, then release it. You will see REW in the display. To fast forward the tape, push the ▶▶ button, then release it. You will see FF displayed. Press the PROG/PLAY button to take the system out of rewind or fast forward. If the system reaches the end of the tape while in fast forward or rewind, it automatically stops that function, reverses direction, and begins to play.



SKIP — The SKIP function lets you skip over a song or passage. You activate SKIP with the FF/REW/SKIP buttons. To skip to the beginning of a song or passage currently playing, push the ◀ button and hold it until you hear a beep. You will see REW flashing in the display as the tape

rewinds. To skip to the beginning of the next song, push the ▶▶ button and hold it until you hear a beep. You will see FF flashing in the display as the tape fast forwards. When the system finds the beginning of a song or passage, it goes back to PLAY.

REPEAT — The Repeat function continuously replays the current song or passage. Press the RPT button to activate it; you will see RPT displayed as a reminder. When the system reaches the end of the song or passage currently playing, it will automatically go into rewind. When it senses the beginning of the same song or passage, the system returns to PLAY mode. It will continue to repeat this same program until you deactivate REPEAT by pressing the button again.



The SKIP and REPEAT functions use silent periods on the tape to find the end of a song or passage. These features may not work to your satisfaction if there is almost no gap between selections, a high noise level between selections, or a silent period in the middle of selection.

Caring for Cassettes

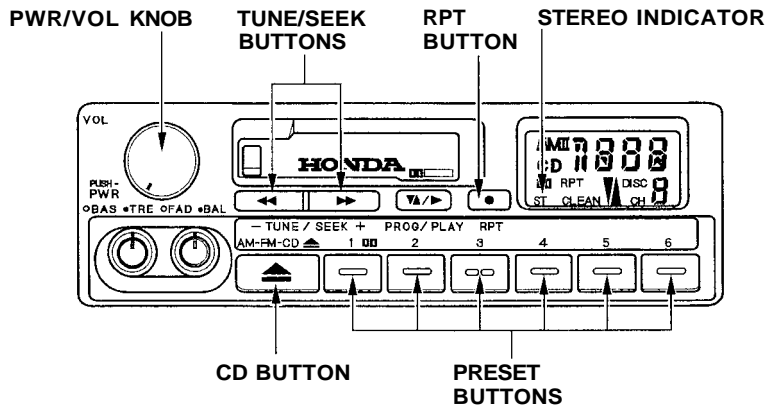
Damaged cassettes can jam inside the drive or cause other problems. See page 101 for information on cassette care and protection.

Operating the Optional CD Player/Changer

A Compact Disc changer is available through your dealer. It holds up to six discs, providing several hours of continuous entertainment. You operate the CD changer with the same controls used for the radio.

Your dealer also has an accessory in-dash single CD player available that is operated by the radio controls. To operate this unit, use the instructions (except for those relating to multiple discs) in this section.

Using the instructions that came with the changer, load the desired CDs in the magazine, and load the magazine in the changer.



To operate the CD changer, the ignition must be in ACCESSORY (I) or ON (II) and the audio system must be on. If you are listening to a cassette, eject it.

Press the CD button until "CD" appears in the display. The system will start to play the first track of the first disc in the magazine. When that disc ends, the next disc in the magazine is loaded and played. After the last disc finishes, the system returns to disc 1.

To select a different disc than the one that is playing, press the appropriate preset button (1 — 6). The system will load that disc and begin playing it from the first track.

You can use the TUNE/SEEK buttons to select tracks within a disc. Push and release the appropriate TUNE/SEEK button, the system will move to the beginning of a track. Press the ►► button to move to the beginning of the next track, and press the ◀◀ button to move to the beginning of the current track.

If you press and hold the TUNE/SEEK button, you will hear a beep and the system will continue to move across tracks. Release the button when you think it has reached the desired place on the disc.

REPEAT — When you activate the Repeat feature by pressing the RPT button, the system continuously replays the current track. You will see RPT in the display as a reminder. Press the RPT button again to turn it off.

To take the system out of CD mode, press the AM or FM button, or insert a cassette in the player. When you return to CD mode, play will continue at the same disc and track.

If you turn the system off while a CD is playing, either with the PWR/VOL knob or the ignition switch, play will continue at the same disc and track when you turn it back on.

Protecting Compact Discs

For information on how to handle and protect compact discs, see page [104](#).

CD Error Indications

For information on the meaning of the CD Error Indications and what to do when you see those indications, refer to page [105](#).


AM/FM/Cassette Stereo Audio System

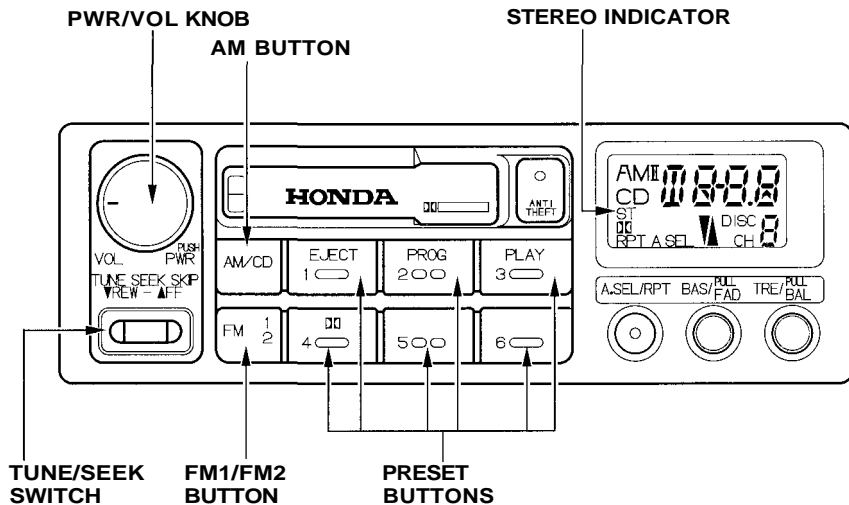
For U.S. EX model

Your Honda's audio system provides clear reception on both AM and FM bands, while the preset buttons allow you to easily select your favorite stations.

The cassette system features Dolby B* noise reduction, automatic sensing of chromium-dioxide (CrO₂) tape, and autoreverse for continuous play.

The Anti-theft feature will disable the system if it is disconnected from the car's battery. To get the system working again, you must enter a code number (see page 106).

* Dolby noise reduction manufactured under license from Dolby Laboratories Licensing Corporation. "DOLBY" and the double-D symbol  are trademarks of Dolby Laboratories Licensing Corporation.



Operating the Radio

The ignition switch must be in ACCESSORY (I) or ON (II). Turn the system on by pushing the PWR/VOL knob.

Adjust the volume by turning the PWR/VOL knob.

The band and frequency that the radio was last tuned to is displayed. To change bands, press the AM or FM1/FM2 button. On the FM band, ST will be displayed if the station is broadcasting in stereo. Stereo reproduction on AM is not available.

You can use any of three methods to find radio stations on the selected band: TUNE, SEEK, or the Preset buttons.

TUNE — Use the TUNE/SEEK switch to tune the radio to a desired frequency. Push the switch up to tune to a higher frequency, and push the switch down to tune to a lower frequency. The frequency numbers will start to change rapidly. Release the switch when the display reaches the desired frequency. To change the frequency in small increments, push and release the TUNE/SEEK switch quickly.

SEEK — The SEEK function searches the band for a station with a strong signal. To activate it, push the TUNE/SEEK switch until you hear a beep, then release it. Depending on which way you pushed the switch, the system scans upward or downward from the current frequency. It stops when it finds a station with a strong signal.

Preset — You can store the frequencies of your favorite radio stations in the six preset buttons. Each button will store one frequency on the AM band, and two on the FM band.

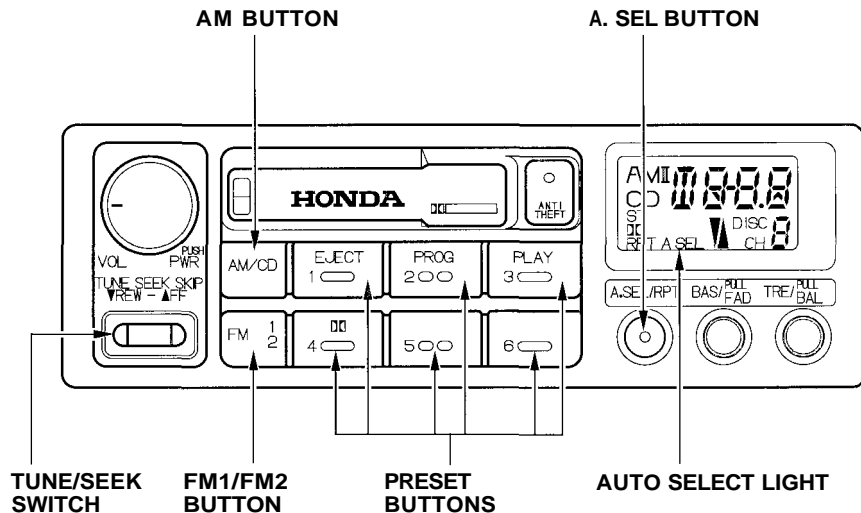
CONTINUED

To store a frequency:

1. Select the desired band, AM or FM. FM1 and FM2 let you store two frequencies with each Preset button.
2. Use the TUNE or SEEK function to tune the radio to a desired station.
3. Pick the Preset button you want for that station. Press the button and hold it until you hear a beep.
4. Repeat steps 1 to 3 to store a total of six stations on AM and twelve on FM.

Once a station's frequency is stored, simply press and release the proper preset button to tune to it.

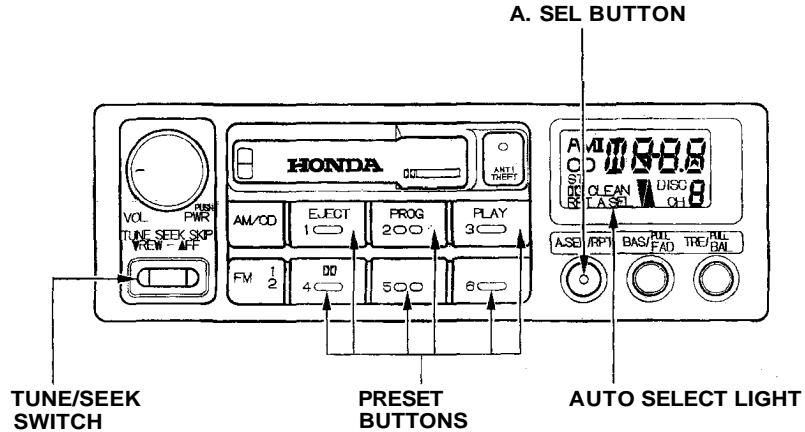
The preset frequencies will be lost if your vehicle's battery goes dead or is disconnected.



AUTO SELECT — If you are traveling far from home and can no longer receive the stations you preset, you can use the Auto Select feature to find stations in the local area.

To activate Auto Select, press the A. SEL button. A. SEL will appear in the display, and the system will go into scan mode for several seconds. It automatically scans both bands, looking for stations with strong signals. It stores the frequencies of six AM stations and twelve FM stations in the preset buttons. You can then use the preset buttons to select those stations.

If you are in a remote area, Auto Select may not find six strong AM stations or twelve strong FM stations. If this happens, you will see a "0" displayed when you press any preset button that does not have a station stored.



With Auto Select on, you cannot manually store any frequencies in the preset buttons. If you do not like the stations found by Auto Select, you can use the TUNE and SEEK functions to find other stations.

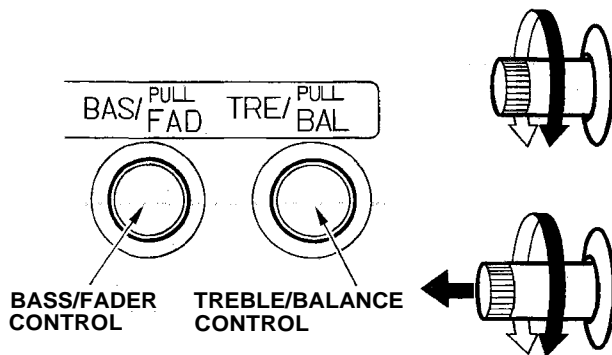
Auto Select does not erase the frequencies that you preset previously. When you return home, turn off Auto Select by pressing the A. SEL button. The preset buttons will then select the frequencies you originally set.

Adjusting the Sound

Balance/Fader — These two controls adjust the strength of the sound coming from each speaker. The Balance control adjusts the side-to-side strength, while the Fader control adjusts the front-to-back strength.

To adjust the fader, push on the BASS/FADER control knob to get it to pop out. Pull it out slightly farther, and adjust the front-to-back sound to your liking. Push the knob back in when you are done so you cannot change the setting by accidentally bumping it.

To adjust the balance, push on the TREBLE/BALANCE control knob to get it to pop out. Pull it out slightly farther, and adjust the side-to-side sound to your liking. Push the knob back in when you are done so you cannot change the setting by accidentally bumping it.



Treble/Bass — Use these controls to adjust the tone to your liking.

To adjust the Treble level, push on the TREBLE/BALANCE control knob to get it to pop out. Without pulling it out farther, turn the knob to adjust the treble level. Push the knob back in when you are done so you cannot change the setting by accidentally bumping it.

To adjust the Bass level, push on the BASS/FADER control knob to get to pop out. Without pulling it out farther, turn the knob to adjust the bass level. Push the knob back in when you are done so you cannot change the setting by accidentally bumping it.

Radio Frequencies

Your Honda's radio can receive the complete AM and FM bands. Those bands cover these frequencies:

AM band:
530 to 1,710 kilohertz
FM band:
87.7 to 107.9 megahertz

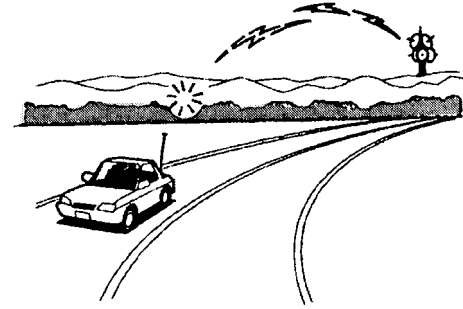
Radio stations on the AM band are assigned frequencies at least ten kilohertz apart (530, 540, 550). Stations on the FM band are assigned frequencies at least 0.2 megahertz apart (87.9, 88.1, 88.3).

Stations must use these exact frequencies. It is fairly common for stations to round-off the frequency in their advertising, so your radio could display a frequency of 100.9 even though the announcer may identify the station as "FM101."

Radio Reception

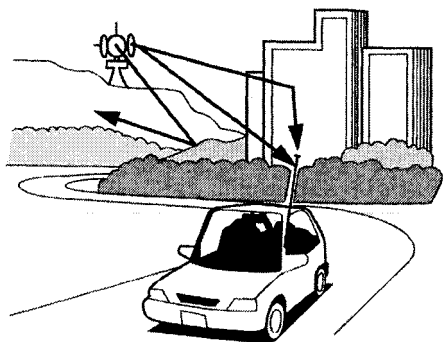
How well your Honda's radio receives stations is dependent on many factors, such as the distance from the station's transmitter, nearby large objects, and atmospheric conditions.

A radio station's signal gets weaker as you get farther away from its transmitter. If you are listening to an AM station, you will notice the sound volume becoming weaker, and the station drifting in and out. If you are listening to an FM station, you will see the stereo indicator flickering off and on as the signal weakens. Eventually, the stereo indicator will go off and the sound will fade completely as you get out of range of the station's signal.



Driving very near the transmitter of a station that is broadcasting on a frequency close to the frequency of the station you are listening to can also affect your radio's reception. You may temporarily hear both stations, or hear only the station you are close to.

CONTINUED



Radio signals, especially on the FM band, are deflected by large objects such as buildings and hills. Your radio then receives both the direct signal from the station's transmitter, and the deflected signal. This causes the sound to distort or flutter. This is a main cause of poor radio reception in city driving.




Radio reception can be affected by atmospheric conditions such as thunderstorms, high humidity, and even sunspots. You may be able to receive a distant radio station one day and not receive it the next day because of a change in conditions.

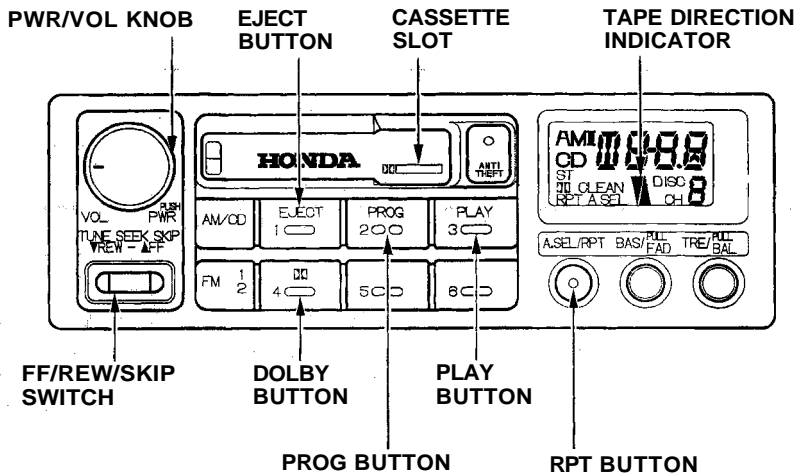
Electrical interference from passing vehicles and stationary sources can cause temporary reception problems

Operating the Cassette Player

Turn the audio system ON. Make sure the tape opening on the cassette is facing to the right, then insert the cassette most of the way into the slot. The system will pull it in the rest of the way, and begin to play.

The tape direction indicator will light to show you which side of the cassette is playing. The ▲ indicates the side you inserted facing upward is now playing. If you want to play the other side, press the PROG button.

Dolby B noise reduction turns on when you insert a cassette. If the tape was not recorded with Dolby B noise reduction, turn it off by pressing the  button.



When the system reaches the end of the tape, it will automatically reverse direction and play the other side. If you want to remove the cassette from the drive, press the EJECT button.

Tape Search Functions

With a cassette playing, you can use the FF, REW, RPT, or SKIP function to find a desired program.

FF/REW — Fast Forward and Rewind move the tape rapidly. To rewind the tape, push the FF/REW/SKIP switch down, then release it. You will see REW in the display. To fast forward the tape, push the switch up, then release it. You will see FF displayed. Press the PLAY button to take the system out of rewind or fast forward. If the system reaches the end of the tape while in fast forward or rewind, it automatically stops that function, reverses direction, and begins to play.

SKIP — The SKIP function lets you skip over a song or passage. You activate SKIP with the FF/REW/SKIP switch. To skip to the beginning of a song or passage currently playing, push the switch down and hold it until you hear a beep. You will see REW flashing in the display as the tape rewinds. To skip to the beginning of the next song, push the switch up and hold it until you hear a beep. You will see FF flashing in the display as the tape fast forwards. When the system finds the beginning of a song or passage, it goes back to PLAY.

REPEAT — The Repeat function continuously replays the current song or passage. Press the RPT button to activate it; you will see RPT displayed as a reminder. When the system reaches the end of the song or passage currently playing, it will automatically go into rewind. When it senses the beginning of the same song or passage, the system returns to PLAY mode. It will continue to repeat this same program until you deactivate REPEAT by pressing the button again.

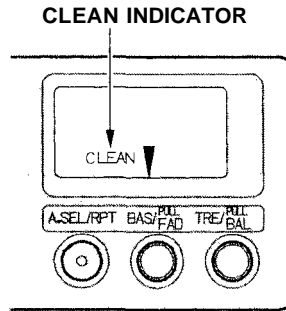
The SKIP and REPEAT functions use silent periods on the tape to find the end of a song or passage. These features may not work to your satisfaction if there is almost no gap between selections, a high noise level between selections, or a silent period in the middle of selection.

Caring for the Cassette Player

The cassette player picks up dirt and oxides from the tape. This contamination builds up over time and causes the sound quality to degrade. To prevent this, you should clean the player after every 30 hours of use.

As a reminder, after every 30 hours of use, the system will flash CLEAN in the display for 5 seconds every time you insert a cassette in the player. After you clean the player, reset the CLEAN indicator by pressing the Preset 6 button while playing a tape. Hold the button until you hear a beep and the indicator goes out.

If you do not clean the cassette player regularly, it may eventually become impossible to remove the contamination with a normal cleaning kit.



Use 100-minute or shorter cassettes. Cassettes longer than that use thinner tape that may break or jam the drive.

Look at the cassette before you insert it. If the tape is loose, tighten it by turning a hub with a pencil or your finger.

If the label is peeling off, remove it from the cassette or it could cause the cassette to jam in the player. Never try to insert a warped or

damaged cassette in the player.

The player automatically ejects cassettes that do not play properly. If it ejects a cassette before it begins to play, it is probably defective and should not be inserted again. You may have a cassette suddenly stop playing, reverse directions once or twice and then eject. This is normally an indication the tape is wound unevenly. It should play after the tape is manually rewound.

When they are not in use, store cassettes in their cases to protect them from dust and moisture. Never place cassettes where they will be exposed to direct sunlight, high heat, or high humidity. If a cassette is exposed to extreme heat or cold, let it reach a moderate temperature before inserting it in the player.

Never try to insert foreign objects into the cassette player.

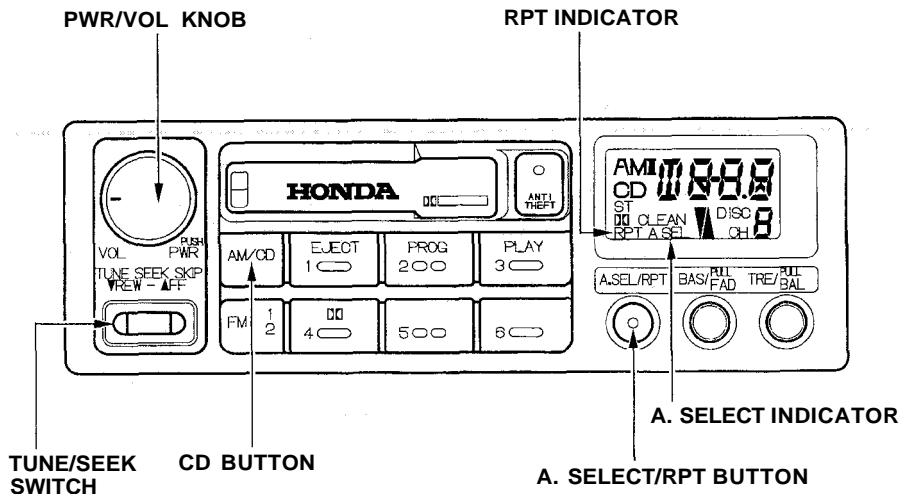
Operating the Optional CD Player/Changer

A Compact Disc changer is available through your dealer. It holds up to six discs, providing several hours of continuous entertainment. You operate the CD changer with the same controls used for the radio.

Your dealer also has an accessory in-dash single CD player available that is operated by the radio controls. To operate this unit, use the instructions (except for those relating to multiple discs) in this section.

Using the instructions that came with the changer, load the desired CDs in the magazine, and load the magazine in the changer.

To operate the CD changer, the ignition must be in ACCESSORY (I) or ON (II) and the audio system must be on. If you are listening to a cassette, eject it.



Press the CD button until "CD" appears in the display. The system will start to play the first track of the first disc in the magazine. When that disc ends, the next disc in the magazine is loaded and played. After the last disc finishes, the system returns to disc 1.

To select a different disc than the one that is playing, press the appropriate preset button (1 — 6). The system will load that disc and begin playing it from the first track.

You can use the TUNE/SEEK switch to select tracks within a disc. If you push and release the TUNE/SEEK switch, the system will move to the beginning of a track. Push the switch up to move to the beginning of the next track, and push the switch down to move to the beginning of the current track.

If you push and hold the TUNE/SEEK switch, you will hear a beep and the system will continue to move across tracks. Release the switch when you think it has reached the desired place on the disc.

RPT — When you activate the Repeat feature by pressing the A. SEL/RPT button, the system continuously replays the current track. You will see RPT in the display as a reminder. Press the button again to turn it off.

RANDOM PLAY — This feature, when activated, plays the tracks on a CD in random order, rather than in the order they are recorded on the CD. To activate Random Play, press the A. SEL/RPT button until you see A. SEL in the display. The system will then select and play tracks randomly on the current disc. When all tracks on that disc have been played, the next disc is loaded and

played randomly. This continues until you deactivate Random Play by pressing A. SEL/RPT again.

If the system is in Repeat mode, you must turn it off by pressing A. SEL/RPT before you can select Random Play. Then press the button again until you see A. SEL displayed.

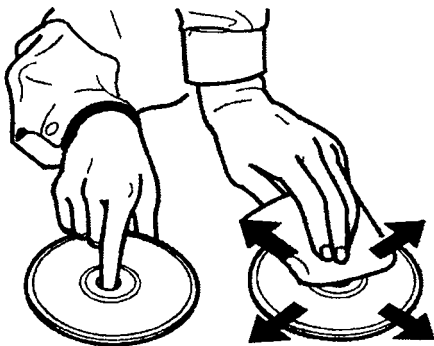
To take the system out of CD mode, press the AM or FM button, or insert a cassette in the player. When you return to CD mode, play will continue at the same disc and track.

If you turn the system off while a CD is playing, either with the PWR/VOL knob or the ignition switch, play will continue at the same disc and track when you turn it back on.

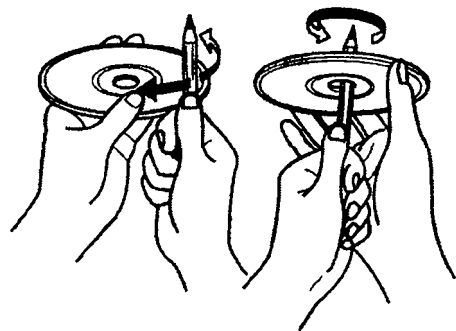
Protecting Compact Discs

Handle a CD by its edges; never touch either surface. Contamination from fingerprints, liquids, felt-tip pens, and labels can cause the CD to not play properly, or possibly jam in the drive.

When a CD is not being played, store it in its case to protect it from dust and other contamination. To prevent warpage, keep CDs out of direct sunlight and extreme heat.



To clean a disc, use a clean soft cloth. Wipe across the disc from the center to the outside edge.



A new CD may be rough on the inner and outer edges. The small plastic pieces causing this roughness can flake off and fall on the recording surface of the disc, causing skipping or other problems. Remove these pieces by rubbing the inner and outer edges with the side of a pencil or pen.

Never try to insert foreign objects in the CD player or the magazine.

CD Error Indications

If you see an error indication in the display while in CD mode, find the cause in the chart to the right. If you cannot clear the error indication, take the car to your Honda dealer.

Indication	Cause	Solution
E01	Disc-changer malfunction.	Consult your Honda dealer.
E02	Disc is in changer mechanism.	Press the magazine eject button, and insert an empty magazine.
E03 E04 E05	Disc-changer malfunction.	If the code disappears within a few seconds, unit is OK. If it does not, consult your Honda dealer.
E06	Disc-changer malfunction.	Press the magazine eject button and pull out the magazine, check for error indication. Insert the magazine again. If the magazine can not be pulled out, consult your Honda dealer.
E07	CD magazine ejection impossible.	Press the magazine eject button. If the magazine does not eject, consult your Honda dealer.
--H	High temperature.	Will disappear when the temperature returns to normal.
EEE	Misconnection or disconnection of CD changer.	See your Honda dealer.
---	No CD magazine in the CD changer.	Insert CD magazine.
T-00	No CD in the CD magazine.	Insert CD.

Theft Protection

On U.S. EX model

Your car's audio system will disable itself if it is disconnected from electrical power for any reason. To make it work again, the user must enter a specific five-digit code in the Preset buttons. Because there are hundreds of number combinations possible from five digits, making the system work without knowing the exact code is nearly impossible.

You should have received a card that lists your audio system's code number and serial number. It is best to store this card in a safe place at home, or to keep it in your wallet or purse. In addition, you should write the audio system's serial number in this Owner's Manual. If you should happen to lose the card, you must obtain the code number from your Honda dealer. To do this, you will need the system's serial number.

If your car's battery is disconnected or goes dead, the audio system will disable itself. If this happens, you will see "Code" in the frequency display the next time you turn on the system. Use the Preset buttons to enter the five-digit code. If it is entered correctly, the radio will start playing.

If you make a mistake entering the code, do not start over or try to correct your mistake. Complete the five-digit sequence, then enter the correct code. You have three tries to enter the correct code. If you are unsuccessful in three attempts, you must then leave the system on for one hour before trying again.

You will have to store your favorite stations in the Preset buttons after the system begins working. Your original settings were lost when power was disconnected.

Before you begin driving your Honda, you should know what gasoline to use, and how to check the levels of important fluids. You also need to know how to properly stow luggage or packages. This section will help you. If you plan to add any accessories to your car, please read the information in this section first.

Break-in Period.....	108
Gasoline.....	108
Oxygenated Fuels.....	108
Driving in Foreign Countries...	109
Service Station Procedures	110
Filling the Fuel Tank.....	110
Opening the Hood.....	111
Fuel Economy.....	114
Vehicle Condition.....	114
Driving Habits.....	114
Accessories.....	115
Loading Cargo.....	116

Break-in Period

Help assure your car's future reliability and performance by paying extra attention to how you drive during the first 1,000 km (600 miles). During this period:

- Avoid full-throttle starts and rapid acceleration.
- If you need to add oil, use the engine oil recommended in this owner's manual.
- Avoid hard braking. New brakes need to be broken-in by moderate use for the first 300 km (200 miles).

You should follow these same recommendations with an overhauled or exchanged engine, or when the brakes are relined.

Gasoline

Your Honda operates most effectively on unleaded gasoline with a pump octane number of 86 or higher. Use of a lower octane gasoline can cause a persistent, heavy metallic rapping noise in the engine that can lead to mechanical damage.

We recommend gasolines containing detergent additives that help prevent fuel system and engine deposits.

Using gasoline containing lead will damage your car's emission controls. This contributes to air pollution and can void certain parts of your warranty.

Oxygenated Fuels

Some conventional gasolines are being blended with alcohol or an ether compound. These gasolines are collectively referred to as oxygenated fuels. To meet clean air standards, some areas of the United States and Canada use oxygenated fuels to help reduce emissions.

If you use an oxygenated fuel, be sure it is unleaded and meets the minimum octane rating requirements.

Before using an oxygenated fuel, to confirm the fuel's contents. Some states/provinces require this information to be posted on the pump.

The following are the EPA-approved percentages of oxygenates:

ETHANOL (ethyl or grain alcohol)
You may use gasoline containing up to 10% ethanol by volume. Gasoline containing ethanol may be marketed under the name "Gasohol."

MTBE (Methyl Tertiary Butyl Ether)
You may use gasoline containing up to 15% MTBE by volume.

METHANOL (methyl or wood alcohol)
You may use gasoline containing up to 5% methanol by volume as long as it also contains cosolvents and corrosion inhibitors to protect the fuel system. Gasoline containing more than 5% methanol by volume may cause starting and/or performance problems. It may also damage metal, rubber and plastic parts of your fuel system.

If you notice any undesirable operating symptoms, try another service station or switch to another brand of gasoline.

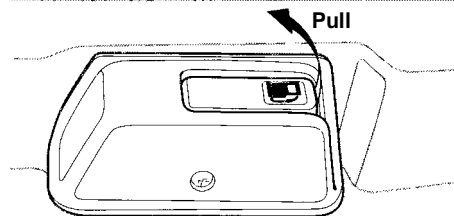
Fuel system damage or performance problems resulting from the use of an oxygenated fuel containing more than the percentages of oxygenates given above are not covered under warranty.

Driving in Foreign Countries

If you are planning to take your Honda outside the U.S. or Canada, contact the tourist bureaus in the areas you will be traveling in to find out about the availability of unleaded gasoline with the proper octane rating.

If unleaded gasoline is not available, be aware that using leaded gasoline in your Honda will affect performance and fuel mileage, and damage its emissions controls. It will no longer comply with U.S. and Canadian emissions regulations, and will be illegal to operate in North America. To bring your car back into compliance will require the replacement of several components, such as the oxygen sensor and the three way catalytic converter. These replacements are not covered under warranty.

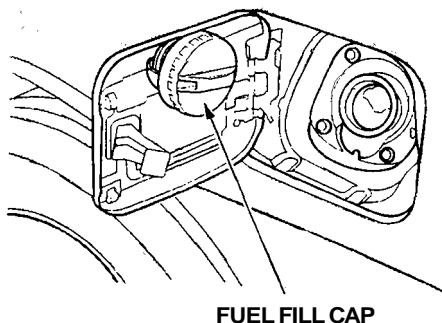
Filling the Fuel Tank



1. The fuel fill is on the driver's side of the car. Park with that side closest to the service station pumps.
2. Open the fuel fill door by pulling on the handle to the left of the driver's seat.

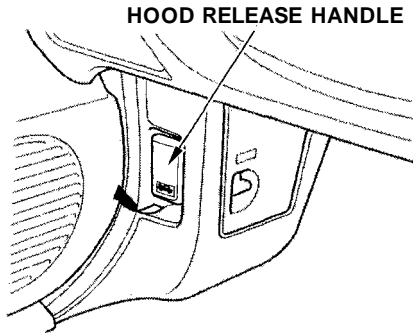
Gasoline is highly flammable and explosive. You can be burned or seriously injured when handling fuel.

Stop the engine and keep heat, sparks, and flame away. Handle fuel only outdoors. Wipe up spills immediately.

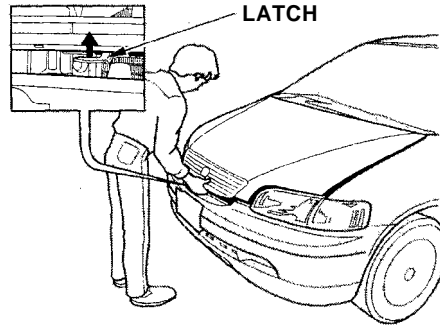


3. Remove the fuel fill cap slowly. You may hear a hissing sound as pressure inside the tank escapes. Place the fuel fill cap on the inside of the door as shown.
4. Stop filling the tank after the fuel pump automatically clicks off. Do not try to "top off" the tank, leave some room for the fuel to expand with temperature changes.
5. Screw the fuel fill cap back on, tighten it until it clicks more than twice.
6. Push the fuel fill door until it latches.

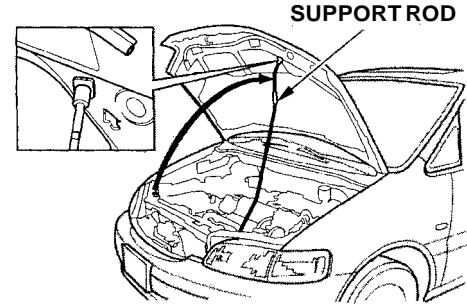
Opening the Hood



1. Shift to Park or Neutral and set the parking brake. Pull the hood release handle, located under the left lower corner of the dashboard. The hood will pop up slightly.



2. Standing in front of the car, put your fingers under the front edge of the hood to the right of center. Slide your hand to the left until you feel the hood latch handle. Push this handle up until it releases the hood. Lift the hood.

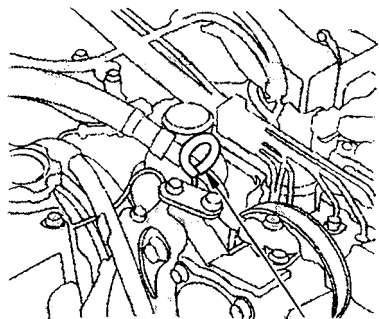


3. Pull the support rod out of its clip and insert the end into the hole on the left side of the hood.

To close the hood, lift it up slightly to remove the support rod from the hole. Put the support rod back into its holding clip. Lower the hood to about a foot above the fender, then let it drop.

CONTINUED

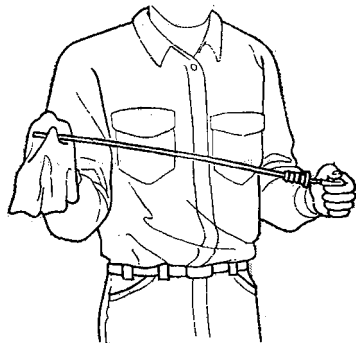
Oil Check



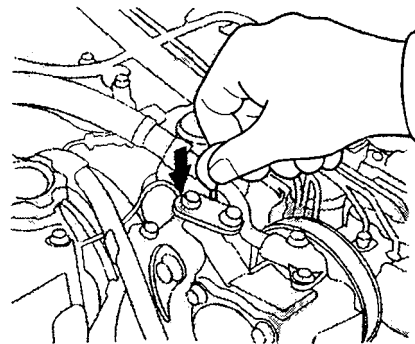
DIPSTICK

Check the engine oil level every time you fill the car with fuel. Wait at least two minutes after turning the engine off before you check the oil.

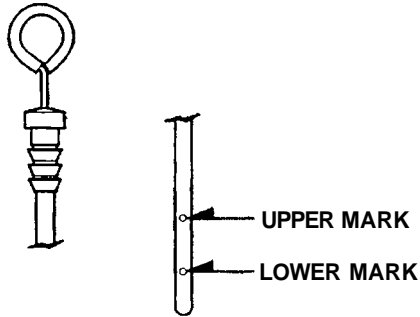
1. Remove the dipstick (orange handle).



2. Wipe the dipstick with a clean cloth or paper towel.



3. Insert it all the way back in its tube.

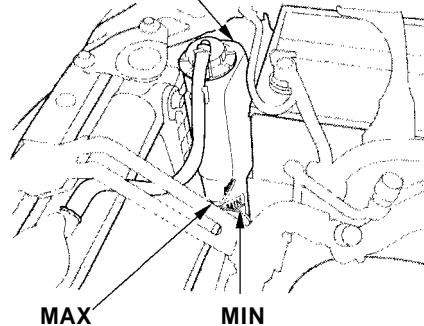


4. Remove it again and check the level. It should be between the upper and lower marks.

If it is near or below the lower mark, see **Adding Oil** on page [146](#).

Engine Coolant Check

RESERVE TANK



Look at the coolant level in the radiator reserve tank. Make sure it is between the MAX and MIN lines. If it is below the MIN line, see **Adding Engine Coolant** on page [151](#) for information on adding the proper coolant.

Refer to **Periodic Checks** on page [144](#) for information on checking other items in your Honda.

The condition of your car and your driving habits are the two most important things that affect the fuel mileage you get.

Vehicle Condition

Always maintain your car according to the maintenance schedule. This will keep it in top operating condition.

An important part of that maintenance is the **Periodic Checks** (see page 144). For example, an under-inflated tire causes more "rolling resistance," which uses fuel. It also wears out faster, so check the tire pressure at least monthly. In winter, the build-up of snow on your car's underside adds weight and rolling resistance. Frequent cleaning helps your fuel mileage and reduces the chance of corrosion.

Driving Habits

You can improve fuel economy by driving moderately. Rapid acceleration, abrupt cornering, and hard braking use more fuel.

Always drive in the highest gear that allows the engine to run and accelerate smoothly.

Depending on traffic conditions, try to maintain a constant speed. Every time you slow down and speed up, your car uses extra fuel. Use the cruise control, when appropriate, to increase fuel economy.

A cold engine uses more fuel than a warm engine. It is not necessary to "warm-up" a cold engine by letting it idle for a long time. You can drive away in about a minute, no matter how cold it is outside. The engine will warm up faster, and you get better fuel economy. To cut down on the number of "cold starts," try to combine several short trips into one.

The air conditioning puts an extra load on the engine which makes it use more fuel. Turn off the A/C to cut down on air conditioning use. Use the flow-through ventilation when the outside air temperature is moderate.

Your Honda dealer has many Genuine Honda Accessories that allow you to personalize your car. These have all been approved for and are covered by warranty.

Some non-Honda accessories you can buy in the "aftermarket" are designed for universal applications. Although they may fit your Honda, they may not be within factory specifications. For example, aftermarket wheels may not meet Honda's specifications for width and offset. They could cause suspension problems that would not be covered by your warranty. Improperly-designed accessories can adversely affect your car's handling and stability.

Your car has several computer-controlled systems, including the SRS system, the engine's fuel injection, and the Anti-lock brake system. Sarrarred

Electronic communications equipment, such as cellular telephones and two-way radios are regulated by the FCC (DOC in Canada) and should not interfere with your car's systems. Improper installation, or using electrical equipment not intended for mobile use may interfere with your car's operation. If you want to install a cellular telephone, other mobile communications equipment or even add-on stereo amplifiers, please discuss it first with your Honda dealer.

In many cases, improper installation is the real cause of problems with aftermarket accessories. Have these accessories installed by qualified technicians who are familiar with Honda dealer inspect the final installation.

Loading Cargo

The maximum load you can carry in your Honda is 535 kg (1,150 lbs). It includes the total weight of all passengers and their belongings, any accessories, and the tongue weight figure is shown as the Vehicle Capacity Weight on the tire information label attached to the driver's doorjamb.

To figure out how much cargo you can carry:

- Figure the total "occupant weight" you will be transporting. To do this (driver and all passengers) by 70 kg (150 lbs).
- Subtract this number from the Vehicle Capacity Weight (535 kg/ 1,150 lbs).
- If you are towing a trailer, subtract the tongue weight. See Towing a Trailer on page [128](#).

This final number is the total weight of cargo you can load in or on the car. With seven occupants (driver and six passengers), the maximum recommended weight for cargo is 45 kg (100 lbs).

Where you store this cargo, and how well you secure it, are just as important as how much it weighs. Make sure you load cargo so it will

not shift while driving. Items stored in the cargo area behind the third seat should be placed as far forward as possible. You could store additional items on the floor behind the roll under the front seat and interfere with the pedals.

For greater cargo capacity, the third seat can be folded into the floor and the second row seats can either be removed or folded up (depending on model). Passengers should never sit in the open cargo area while the car is moving. They should sit in one of the seats and wear their seat belts.

If you must carry large objects that prevent you from closing the tailgate be aware that exhaust gas can enter the interior. See **Carbon Monoxide Hazard** on page [29](#) .

This section gives you tips on starting the engine under various conditions, and how to operate the automatic transmission. It also includes important information on your car's braking system and facts you need if you are planning to tow a trailer.

Preparing to Drive.....	118
Starting the Engine.....	119
Starting in Cold Weather at High Altitude	119
Automatic Transmission.....	120
Shift Lever Positions.....	120
Maximum Speeds.....	123
Shift Lock Release.....	123
The Braking System.....	124
Brake Wear Indicators.....	124
Brake System Design.....	124
Anti-lock Brakes.....	125
Driving in Bad Weather.....	126
Towing a Trailer.....	128

Preparing to Drive

You should do the following checks and adjustments every day before you drive your car.

1. Make sure all windows, mirrors, and outside lights are clean and unobstructed. Remove frost, snow, or ice.
2. Check that the hood and tailgate are fully closed.
3. Visually check the tires. If a tire looks low, use a gauge to check its pressure.
4. Check that any items you may be carrying with you inside are stored properly or fastened down securely.
5. Check the adjustment of the seat (see page [54](#)).
6. Check the adjustment of the inside and outside mirrors (see page [64](#)).
7. Check the adjustment of the steering wheel (see page [44](#)).
8. Make sure the doors are securely closed and locked.
9. Fasten your seat belt. Check that your passengers have fastened their seat belts (see page [7](#)).
10. Turn the ignition ON (II). Check the indicator lights in the instrument panel.
11. Start the engine (see page [119](#)).
12. Check the gauges and indicator lights in the instrument panel (see page [33](#)).

1. Apply the parking brake.
2. In cold weather, turn off all electrical accessories to reduce the drain on the battery.
3. Make sure the shift lever is in Park. Press on the brake pedal.
4. Without touching the accelerator pedal, turn the ignition key to the START (III) position. If the engine does not start right away, do not hold the key in START (III) for more than 15 seconds at a time. Pause for at least 10 seconds before trying again.
5. If the engine does not start within 15 seconds, or starts but stalls right away, repeat step 4 with the accelerator pedal pressed half-way down. If the engine starts, release pressure on the accelerator pedal so the engine does not race.
6. If the engine still does not start, press the accelerator pedal all the way down and hold it there while starting in order to clear flooding. As before, keep the ignition key in the START (III) position for no more than 15 seconds. Return to step 5 if the engine does not start. If it starts, lift your foot off the accelerator pedal so the engine does not race.
2. Push the accelerator pedal half-way to the floor and hold it there while starting the engine. Do not hold the ignition key in START (III) for more than 15 seconds. When the engine starts, release the accelerator pedal gradually as the engine speeds up and smooths out.
3. If the engine fails to start in step 2, push the accelerator pedal to the floor and hold it there while you try to start the engine for no more than 15 seconds. If the engine does not start, return to step 2.

Starting in Cold Weather at High Altitude (Above 2,400 meters/ 8,000 feet)

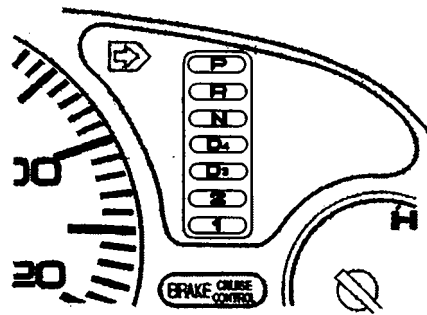
An engine is harder to start in cold weather. The thinner air found at high altitude above 2,400 meters (8,000 feet) adds to the problem. Use the following procedure:

1. Turn off all electrical accessories to reduce the drain on the battery.

Automatic Transmission

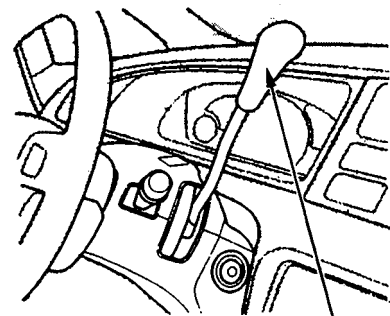
Your Honda's transmission has four forward speeds, and is electronically controlled for smoother shifting. It also has a "lock-up" torque converter for better fuel economy. You may feel what seems like another shift when the converter locks.

Shift Lever Positions



This display is on the instrument panel. It shows you the position of the shift lever.

The "D4" indicator comes on for a few seconds when you turn the ignition ON (II). If it flashes while driving (in any shift position), it indicates a possible problem in the transmission. Avoid rapid acceleration and have the transmission checked by an authorized Honda dealer as soon as possible.



SHIFT LEVER

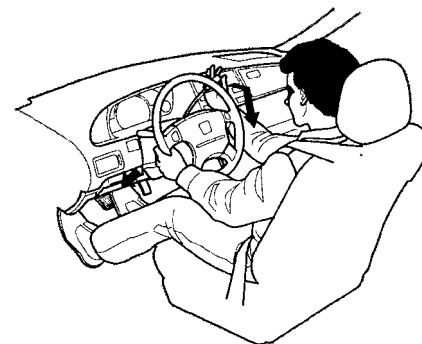
The shift lever has seven positions. It must be in Park or Neutral to start the engine. When you are stopped in D4, D3, 2, 1, N or R, press firmly on the brake pedal and keep your foot off the accelerator pedal.

To shift from:	Do this:
P to R	Press the brake pedal and pull the shift lever towards you.
R to P N to R D ₃ to 2 2 to 1	Pull the shift lever towards you.
1 to 2 2 to D ₃ D ₃ to D ₄ D ₄ to N D ₄ to D ₃ N to D ₄ R to N	Move the lever.

Park (P) — This position mechanically locks the transmission. Use Park whenever you are turning off or starting the engine. To shift out of Park, you must press on the brake pedal and have your foot off the accelerator pedal. Pull the shift lever towards you, then move it out of Park.

If you have done all of the above and still cannot move the lever out of Park, see Shift Lock Release on page [123](#).

You must also pull the shift lever towards you to shift into Park. To avoid transmission damage, come to a complete stop before shifting into Park. The shift lever must be in Park before you can remove the key from the ignition switch.



Reverse (R) — To shift to Reverse from Park, see the explanation under Park. To shift to Reverse from Neutral, come to a complete stop and then shift. Pull the shift lever towards you before shifting into Reverse from Neutral.

CONTINUED

Automatic Transmission

Neutral (N) — Use Neutral if you need to restart a stalled engine, or if it is necessary to stop briefly with the engine idling. Shift to Park position if you need to leave the car for any reason. Press on the brake pedal when you are moving the shift lever from Neutral to another gear.

Drive (D4) — Use this position for your normal driving. The transmission automatically selects a suitable gear for your speed and acceleration. You may notice the transmission shifting up at higher speeds when the engine is cold. This helps the engine warm up faster.

Drive (D3) — This position is similar to D4, except only the first three gears are selected. Use D3 when towing a trailer in hilly terrain, or to provide engine braking when going down a steep hill. D3 can also keep the transmission from cycling between third and fourth gears in

stop-and-go driving.

For faster acceleration when in D3 or D4, you can get the transmission to automatically downshift by pushing the accelerator pedal to the floor. The transmission will shift down one or two gears, depending on your speed.

Second (2) — To shift to Second, pull the shift lever towards you, then shift to the lower gear. This position locks the transmission in second gear. It does not downshift to first gear when you come to a stop. Second gives you more power when climbing, and increased engine braking when going down steep hills. Use second gear when starting out on a slippery surface or in deep snow. It will help reduce wheelspin.

Whenever you move the shift lever to a lower gear, the transmission downshifts only if the engine's

redline will not be exceeded in the lower gear.

First (1) — To shift from Second to First, pull the shift lever towards you then shift to the lower gear. With the lever in this position, the transmission locks in First gear. By upshifting and downshifting through 1,2, D3 and D4, you can operate this transmission much like a manual transmission without a clutch pedal.

Maximum Speeds

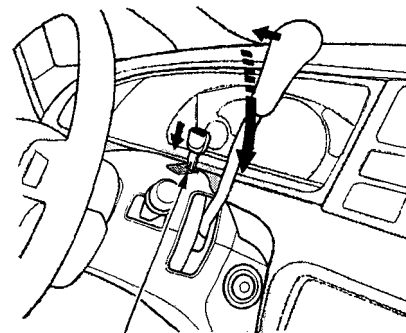
The speeds in this table are the maximums for the given position. If you exceed these speeds, you will feel the engine cut in and out. This is caused by a limiter in the engine's computer controls. The engine will run normally when you reduce speed or shift.

Position	Maximum speeds
1	35 mph (55 km/h)
2	60 mph (100 km/h)
D3	90 mph (145 km/h)
D4	Top speed

Shift Lock Release

This allows you to move the shift lever out of Park if the normal method of pushing on the brake pedal and pulling the shift lever does not work.

1. Set the Parking brake.
2. Remove the key from the ignition switch.
3. Insert the key in the Shift Lock Release slot on the steering column.
4. Push down on the key while you pull the shift lever towards you and move the shift lever out of Park to Neutral.



SHIFT LOCK RELEASE SLOT

5. Remove the key from the Shift Lock Release slot. Depress the brake pedal and restart the engine.

If you need to use the Shift Lock Release, it could mean your car is developing a problem. Have the car checked by your Honda dealer.

The Braking System

Your Honda is equipped with disc brakes at all four wheels. The braking system is power-assisted to reduce the effort needed on the brake pedal.

Put your foot on the brake pedal only when you intend to brake. Resting your foot on the pedal keeps the brakes applied lightly, causing them to build up heat. Heat build-up can reduce how well your brakes work. It also keeps your brake lights on all the time, confusing drivers behind you.

Constant application of the brakes when going down a long hill builds up heat and reduces their effectiveness. Use the engine to assist the brakes by downshifting to a lower gear and taking your foot off the accelerator pedal.

Check your brakes after driving through deep water. Apply the brakes moderately to see if they feel normal. If not, apply them gently and frequently until they do. Since a longer distance is needed to stop with wet brakes, be extra cautious and alert in your driving.

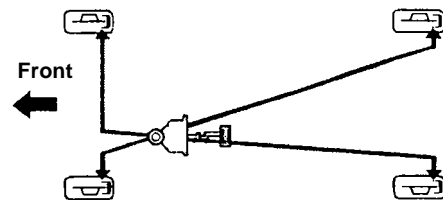
Brake Wear Indicators

All four brakes have audible brake wear indicators. When the brake pads need replacing, you will hear a distinctive metallic "screeching" sound when you apply the brakes. If you do not have the brake pads replaced, they will begin screeching all the time.

Your brakes may sometimes squeal or squeak when you apply them lightly. Do not confuse this with the brake wear indicators. They make a very audible "screeching".

Brake System Design

The hydraulic system that operates the brakes has two separate circuits. Each circuit works diagonally across the car (the left-front brake is connected with the right-rear brake, etc.). If one circuit should develop a problem, you will still have braking at two wheels.



If this happens, you will immediately notice that the brake pedal goes down much farther and you need to press on it much harder. A much longer distance will be needed to stop the car.

Slow the car by downshifting to a lower gear and removing your foot from the accelerator pedal. Pull to the side of the road as soon as it is safe. Because of the longer stopping distance needed, brake system failure is very hazardous. It is best to have your car towed, but if you must drive the car in this condition, be extremely cautious. Have your car repaired as soon as possible.

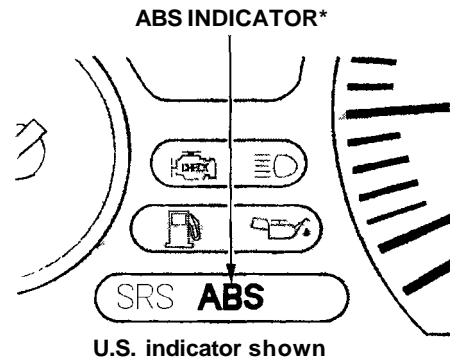
Anti-lock Brakes

All U.S. models and the Canadian six-passenger model have an Anti-lock Brake System (ABS) as standard equipment. It is optional on the Canadian seven-passenger model. ABS helps you maintain steering

control during braking. It does this by helping you to prevent the wheels from locking up and skidding. The ABS is always "On". It requires no special effort or driving technique. You will feel a pulsation in the brake pedal when the ABS activates.

Activation varies with the amount of traction your tires have. On dry pavement, you will need to press on the brake pedal very hard before you feel the pedal pulsation that means the ABS has activated. However, you may feel the ABS activate immediately if you are trying to stop on snow or ice. Under all conditions, the ABS is helping to prevent the wheels from locking so you can retain steering control. You should continue to press on the brake pedal with the same force.

You may feel a slight movement of the brake pedal just after you start the engine. This is the ABS working.



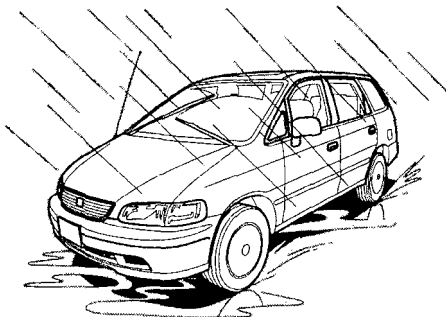
The ABS is self-checking. If anything goes wrong, the ABS indicator on the instrument panel comes on (see page 35). This means the Anti-lock function of the braking system has shut down. The brakes still work like a conventional system, providing normal stopping ability. You should have the dealer inspect your car as soon as possible.

CONTINUED

A car with ABS may require a longer distance to stop on loose or uneven surfaces than an equivalent car without Anti-lock. The ABS cannot make up for road conditions or bad judgment. It is still your responsibility to drive at reasonable speeds for weather and traffic conditions, and to leave a margin of safety.

For a technical description of the ABS hardware, refer to page [220](#).

Driving in Bad Weather



Rain, fog, and snow conditions require a different driving technique because of reduced traction and visibility. Keep your car well-maintained and exercise greater caution when you need to drive in bad weather. The cruise control should not be used in these conditions.

Driving Technique — Always drive slower than you would in dry weather. It takes your car longer to react, even in conditions that may seem just barely damp. Apply smooth, even pressure to all the controls. Abrupt steering wheel movements or sudden, hard application of the brakes can cause loss of control in wet weather. Be extra cautious for the first few miles of driving while you adjust to the change in driving conditions. This is especially true in snow. A person can forget some snow-driving technique during the summer months. Practice is needed to relearn those skills.

Exercise extra caution when driving in rain after a long dry spell. After months of dry weather, the first rains bring oil to the surface of the roadway, making it slippery.

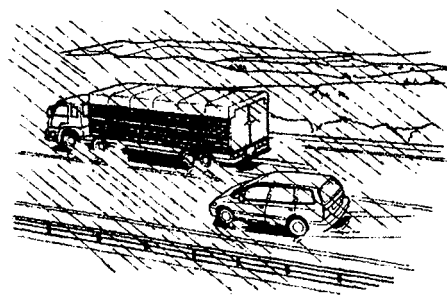
Visibility — Being able to see clearly in all directions and being visible to other drivers are important in all weather conditions. This is more difficult in bad weather. To be seen more clearly during daylight hours, turn on your headlights.

Inspect your windshield wipers and washers frequently. Keep the windshield washer reservoir full of the proper fluid. Have the windshield wiper blades replaced if they start to streak the windshield or leave parts unwiped. Use the defrosters and air conditioning to keep the windows from fogging up on the inside (see page 79).

Traction — Check your tires frequently for wear and proper pressure. Both are important in preventing "hydroplaning" (loss of traction on a wet surface). In the winter, mount snow tires on all four wheels for the best handling.

Watch road conditions carefully, they can change from moment to moment. Wet leaves can be as slippery as ice. "Clear" roads can have patches of ice. Driving conditions can be very hazardous when the outside temperature is near freezing. The road surface can become covered with areas of water puddles mixed with areas of ice, so your traction can change without warning.

Be careful when downshifting. If traction is low, you can lock up the drive wheels for a moment and cause a skid.



Be very cautious when passing, or being passed by, other vehicles. The spray from large vehicles reduces your visibility, and the wind buffeting can cause you to lose control.

Towing a Trailer

Your Honda is designed primarily to carry passengers and their cargo. You can use it to tow a trailer if you carefully observe some general rules.

- The total weight of the trailer and everything loaded in it must not exceed the weights shown in the table below.

Number of Passengers* ¹	Total Trailer Weight	Trailer Brake Requirement
2	720 kg (1,600 lbs)	Necessary
3	650 kg (1,450 lbs)	Necessary
4	590 kg (1,300 lbs)	Necessary
5	520 kg (1,150 lbs)	Necessary
6	450 kg (1,000 lbs)	Not necessary
7* ²	380 kg (850 lbs)	Not necessary

* 1 : Including- driver. Based on 70 kg (150 lbs) passenger

* 2 : Seven-passenger model only

- The "tongue load" should never exceed 72 kg (160 lbs). This is the amount of weight the trailer puts on the hitch when it is fully-loaded. As a rule of thumb, the tongue load should be 10% of the total trailer package.

For example, if the trailer and its load weigh 450 kg (1,000 lbs), the tongue load should be 45 kg (100 lbs). Adjust the trailer's cargo to change the tongue load. Start by putting approximately 60% of the cargo toward the front and 40% toward the rear. Never load the trailer so the back is heavier than the front.

- The combined weight of the car, all passengers and their luggage, and tongue load must not exceed the Gross Vehicle Weight Rating. The GVWR is printed on the Certification label attached to the driver's doorjamb (see page 216).
- The combined weight of the car, all passengers and their luggage, and tongue load also must not exceed the Gross Axle Weight Rating. The GAWR is also shown on the Certification label. It tells you the maximum load for the front and rear axles. It is possible that your towing package does not exceed the GVWR but does exceed the GAWR. Improper trailer loading, and/or too much luggage in the cargo area can overload the rear axle. Redistribute the load and check the axle weights again.

Improperly loading your car and trailer can seriously affect its steering and braking performance, causing a crash in which you can be seriously injured.

Check the loading of your car and trailer carefully before starting to drive.

The best way to confirm that your total towing package is within these specifications is to get it weighed. Load the car and trailer as you normally would while towing, and take them to a public scale. Have them check the total weight and the weight at each axle, then compare the weights to the specifications.

Trailer Hitches

Your Honda dealer, or the Honda Customer Relations Zone Office, can give you advice on the proper hitch for your car. Never use a hitch that mounts only to the rear bumper. The bumper is not designed to handle that type of load. The hitch should bolt to the underbody of the car and distribute the load over a wide area. Always have a trailer hitch installed by a qualified technician.

NOTICE

A trailer hitch that is not adequate for the size of the trailer, or a hitch that is improperly installed, can cause damage to the underside of your car.

Towing a Trailer

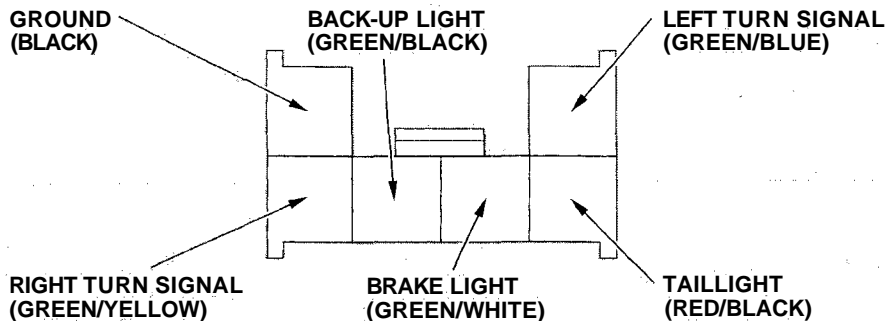
Mirrors

Many states and provinces have laws requiring special outside mirrors when you are towing a trailer. Check the laws in your area. You may want to install mirrors, even if they are not required. Hook up the trailer and see how much it obscures your ability to see behind you with the standard mirrors. If you cannot see directly behind you, or have a large blind spot next to the trailer or the car, you should install mirrors intended for towing.

Connecting the Trailer

Most trailers that have a gross weight of 450 kg (1,000 lbs) do not have their own braking system. If you are thinking of getting a trailer that does have brakes, make sure they are electrically-operated. There are no provisions in your car to tap into its hydraulic braking system. Any attempt to attach the trailer's brakes to your car's hydraulic system, no matter how successful it may seem, will lower braking effectiveness and create a potential hazard.

Always use a safety chain when towing a trailer. Connect the safety chain securely at both ends. Make sure the chain crosses under the tongue so it will catch the trailer if it becomes unhitched. Leave enough slack in the chain so it can't bind in a sharp turn. Do not let it drag on the ground.



Your car has a trailer lighting connector. To use the connector, remove the left rear light cover. Refer to the drawing above for the wiring color code and purpose of each connector pin.

Since the lighting and wiring can be different for various brands of trailers, have a technician who is familiar with your trailer modify its lighting plug. A converter may be required between the car and trailer for the lights to work correctly.

Before Starting Out

As you are preparing to tow your trailer, do the following:

- Measure the trailer's tongue load. You can do this with a bathroom scale.
- Verify that the hitch and safety chain are securely fastened.
- Check the condition and air pressure of all tires on the trailer and your car. Low tire pressure can seriously affect the handling. Also check the spare tire.
- With everything loaded and the trailer connected, check that the rear of the car is not sagging. If so, redistribute the load in the car.
- Check that all lights on the car and trailer are working properly.

Towing Safety

Your car will not stop as quickly with a trailer in tow. Leave extra distance between your car and other vehicles. Avoid braking or turning suddenly. This could cause the trailer to jackknife or possibly turn over.

Keep in mind that your total vehicle is now much longer. Leave more room when making turns. The trailer tracks a smaller arc than the car and can hit or run over something that the car misses. When passing another vehicle, make sure the trailer is clear before changing lanes.

The car/trailer combination is more affected by crosswinds and buffeting. When being passed by a large vehicle, keep a constant speed and steer straight ahead. If there is too much wind buffeting, slow down to get out of the other vehicle's air turbulence.

Towing a trailer puts an extra load on your car. You should have your car serviced according to the "Maintenance schedule under severe driving conditions" on page [141](#).

This extra load is magnified when you are driving in hilly terrain. Watch the temperature gauge closely when climbing hills. If it gets near the hot area, turn off the air conditioning (if it is on). If this does not reduce the heat, it may be necessary to pull to the side of the road and wait for the engine to cool. If the automatic transmission shifts frequently between 3rd and 4th gears, put it in D₃. This will help prevent the transmission from overheating. Help keep the brakes from overheating by shifting to a lower gear when going downhill.

If you have to stop while going uphill, do not hold the car in place by pressing on the accelerator. This can cause the automatic transmission to overheat. Use the parking brake or footbrake.

When parking your car and trailer, especially on a hill, be sure to follow all the normal precautions. Turn your front wheels into the curb, set the parking brake firmly, and put the transmission in Park. In addition, place wheel chocks at each of the trailer's tires.

Backing up with a trailer is difficult and takes practice. Drive slowly, make small movements with the steering wheel, and have someone stand outside to guide you. Grip the steering wheel on the bottom (rather than the usual position near the top). Move your hand to the left to get the trailer to move to the left, and right to move the trailer right.

This section explains why it is important to keep your car well maintained and to follow basic maintenance safety precautions.

This section also includes Maintenance Schedules for normal driving and severe driving conditions, a Maintenance Record, and instructions for simple maintenance tasks you may want to take care of yourself.

If you have the skills and tools required to perform more complex maintenance tasks on your Honda, you may want to purchase the Service Manual. See page 233 for information on how to obtain a copy, or see your Honda dealer.

Maintenance Safety.....	136
Important Safety Precautions..	137
Maintenance Schedule.....	138
Maintenance Record.....	142
Periodic Checks.....	144
Fluid Locations.....	145
Engine Oil.....	146
Checking Engine Oil.....	146
Adding Oil.....	146
Recommended Oil.....	147
Synthetic Oil.....	148
Additives.....	148
Oil and Filter Changes.....	148
Cooling System.....	150
Checking the Engine Coolant Level.....	150
Adding Engine Coolant.....	151
Replacing Engine Coolant.....	152
Windshield Washers.....	154
Automatic Transmission Fluid.....	155
Brake Fluid.....	156
Brake System.....	156
Anti-lock Brake System.....	157
Power Steering.....	157
Air Cleaner.....	158

Spark Plugs.....	160
Replacement.....	160
Specifications.....	161
Battery.....	162
Windshield Wipers.....	165
Air Conditioning.....	168
Drive Belts.....	169
Tires.....	169
Inflation.....	170
Inspection.....	171
Maintenance.....	171
Tire Rotation.....	172
Replacing Tires and Wheels	172
Wheels and Tires.....	173
Winter Driving.....	173
Snow Tires.....	174
Tire Chains.....	174
Lights.....	175
Headlight Aiming.....	175
Replacing Bulbs.....	177
Storing Your Car.....	182

Regularly maintaining your car is the best way to protect your investment. Proper maintenance is essential to your safety and the safety of your passengers. It will also reward you with more economical, trouble-free driving and help reduce air pollution.

Improperly maintaining this car or failing to correct a problem before driving can cause a crash in which you can be seriously hurt or killed.

Always follow the inspection and maintenance recommendations and schedules in this owner's manual.

This section includes instructions for simple maintenance tasks, such as checking and adding oil. Any service items not detailed in this section should be performed by a Honda technician or other qualified mechanic.

Some of the most important safety precautions are given in the next page. However, we cannot warn you of every conceivable hazard that can arise in performing maintenance. Only you can decide whether or not you should perform a given task.

Failure to properly follow maintenance instructions and precautions can cause you to be seriously hurt or killed.

Always follow the procedures and precautions in this owner's manual.

Important Safety Precautions

Before you begin any maintenance, make sure your car is parked on level ground and that the parking brake is on. Also, be sure the engine is off. This will help to eliminate several potential hazards:

- **Carbon monoxide poisoning from engine exhaust.** Be sure there is adequate ventilation whenever you operate the engine.
- **Burns from hot parts.** Let the engine and exhaust system cool before touching any parts.
- **Injury from moving parts.** Do not run the engine unless instructed to do so.

Read the instructions before you begin, and make sure you have the tools and skills required.

To reduce the possibility of fire or explosion, be careful when working around gasoline or batteries. Use a nonflammable solvent, not gasoline, to clean parts. Keep cigarettes, sparks, and flames away from the battery and all fuel-related parts.

You should wear eye protection and protective clothing when working near the battery or when using compressed air.

Maintenance Schedule

The Maintenance Schedule specifies how often you should have your car serviced and what things need attention. It is essential that you have your car serviced as scheduled to retain its high level of safety, dependability, and emission control performance.

The services and time or distance intervals shown in the maintenance schedule assume you will use your car as normal transportation. You should:

- Avoid exceeding your car's load limit. This puts excess stress on the engine, brakes, and many other parts of your car. The load limit is shown on the label on the driver's doorjamb.
- Operate your car on reasonable roads within the legal speed limit.
- Drive your car regularly over a distance of several kilometers (miles).
- Always use unleaded gasoline with the proper octane rating (see page [108](#)).

Which Schedule to Follow:

Service your car according to the time and mileage periods on one of the Maintenance Schedules on page [140](#) and [141](#). Select the schedule for "Severe Conditions" if most of your driving is done under one or more of the conditions listed on that page. Otherwise, follow the schedule for "Normal Conditions."

Your authorized Honda dealer knows your car best and can provide competent, efficient service. However, service at a dealer is not mandatory to keep your warranties in effect. Maintenance may be done by any qualified service facility or person who is skilled in this type of automotive service. Keep all the receipts as proof of completion, and have the person who does the work fill out the Maintenance Record. Check your warranty booklet for more information.

We recommend the use of Genuine Honda parts and fluids whenever you have maintenance done. These are manufactured to the same high-quality standards as the original components, so you can be confident of their performance and durability.

U.S. Cars:

Maintenance, replacement or repair of emission control devices and systems may be done by any automotive repair establishment or individual using parts that are "certified" to EPA standards.

According to state and federal regulations, failure to perform maintenance on the items marked with an asterisk (*) will not void your emissions warranties. However, Honda recommends that all maintenance services be performed at the recommended time or mileage period to ensure long-term reliability.

Maintenance Schedule (Normal Conditions)

Service at the indicated distance or time – whichever comes first.	km x 1,000	24	48	72	96	120	144	168
	miles x 1,000	15	30	45	60	75	90	105
	months	12	24	36	48	60	72	84
Replace engine oil	Replace every 12,000 km (7,500 miles) or 12 months							
Replace engine oil filter	●	●	●	●	●	●	●	●
Check engine oil and coolant	Check oil and coolant at each fuel stop							
Replace air cleaner element			●		●		●	
Inspect valve clearance			●		●		●	
Replace spark plugs			●		●		●	
Inspect distributor cap* and rotor*					●			
Replace timing belt*, timing balancer belt and inspect water pump							●	
Inspect and adjust drive belts			●		●		●	
Inspect idle speed*					●			
Replace engine coolant				●		●		●
Replace transmission fluid				●		●		●
Inspect front and rear brakes	●	●	●	●	●	●	●	●
Replace brake fluid (including ABS)				●			●	
Check parking brake adjustment	●	●	●	●	●	●	●	●
Rotate tires (Check tire inflation and condition at least once per month)	Rotate tires every 12,000 km (7,500 miles)							
Visually inspect the following items:								
Tie rod ends, steering gear box, and boots								
Suspension components								
Driveshaft boots								
Brake hoses and lines (including ABS)	●	●	●	●	●	●	●	●
All fluid levels and condition of fluids								
Cooling system hoses and connections								
Exhaust system*								
Fuel lines and connections*								
Inspect Supplemental Restraint System	10 years after production							

Follow the Normal Maintenance Schedule if the severe driving conditions specified in the Severe Conditions Maintenance Schedule on the next page do not apply.

For Canadian Owners:

This Maintenance Schedule outlines the *minimum* required maintenance that you should perform to ensure the trouble-free operation of your vehicle. Due to regional and climatic differences, some additional servicing may be required. Please consult your warranty handbook for a more detailed description.

Maintenance Schedule (Severe Conditions)

Service at the indicated distance or time — whichever comes first.	km x 1,000	24	48	72	96	120	144	168
	miles x 1,000	15	30	45	60	75	90	105
	months	12	24	36	48	60	72	84
Replace engine oil and oil filter	Replace every 6,000 km (3,750 miles) or 6 months							
Check engine oil and coolant	Check oil and coolant at each fuel stop							
Clean (○) or replace (●) air cleaner element	○	●	○	●	○	●	○	
Inspect valve clearance		●		●		●		
Replace spark plugs		●		●		●		
Inspect distributor cap* and rotor*				●				
Replace timing belt*, timing balancer belt and inspect water pump	Replace every 96,000 km (60,000 miles)							
Inspect and adjust drive belts		●		●		●		
Inspect idle speed*				●				
Replace engine coolant			●		●		●	
Replace transmission fluid		●		●		●		●
Inspect front and rear brakes	Inspect every 12,000 km (7,500 miles) or 6 months							
Replace brake fluid (including ABS)		●		●		●		●
Check parking brake adjustment	●	●	●	●	●	●	●	●
Rotate tires (Check tire inflation and condition at least once per month)	Rotate tires every 12,000 km (7,500 miles)							
Visually inspect the following items:								
Tie rod ends, steering gear box, and boots Suspension components Driveshaft boots	Every 12,000 km (7,500 miles) or 6 months							
Brake hoses and lines (including ABS)								
All fluid levels and condition of fluids								
Cooling system hoses and connections	●	●	●	●	●	●	●	●
Exhaust system*								
Fuel lines and connections*								
Inspect supplemental restraint system	10 years after production							

Follow the Severe Maintenance Schedule if you drive your vehicle *MAINLY* under one or more of the following conditions:

- Driving less than 8 km (5 miles) per trip or, in freezing temperatures, driving less than 16 km (10 miles) per trip.
- Driving in extremely hot [over 90°F (32°C)] conditions.
- Extensive idling or long periods of stop-and-go driving.
- Trailer towing, driving with a car-top carrier, or driving in mountainous conditions.
- Driving on muddy, dusty, or de-iced roads.

NOTE: If you only *OCCASIONALLY* drive under a "severe" condition, you should follow the Normal Conditions Maintenance Schedule on the previous page.

Required Maintenance Record

Have your servicing dealer record all Required Maintenance below. Keep receipts for all work done on your car.

12,000 km 7,500 Mi. (or 6 Mo.)	(Sign or Stamp)	Km (Mi.) Date
24,000 km 15,000 Mi. (or 12 Mo.)	(Sign or Stamp)	Km (Mi.) Date
36,000 km 22,500 Mi. (or 18 Mo.)	(Sign or Stamp)	Km (Mi.) Date
48,000 km 30,000 Mi. (or 24 Mo.)	(Sign or Stamp)	Km (Mi.) Date
60,000 km 37,500 Mi. (or 30 Mo.)	(Sign or Stamp)	Km (Mi.) Date
72,000 km 45,000 Mi. (or 36 Mo.)	(Sign or Stamp)	Km (Mi.) Date
84,000 km 52,500 Mi. (or 42 Mo.)	(Sign or Stamp)	Km (Mi.) Date

96,000 km 60,000 Mi. (or 48 Mo.)	(Sign or Stamp)	Km (Mi.) Date
108,000 km 67,500 Mi. (or 54 Mo.)	(Sign or Stamp)	Km (Mi.) Date
120,000 km 75,000 Mi. (or 60 Mo.)	(Sign or Stamp)	Km (Mi.) Date
132,000 km 82,500 Mi. (or 66 Mo.)	(Sign or Stamp)	Km (Mi.) Date
144,000 km 90,000 Mi. (or 72 Mo.)	(Sign or Stamp)	Km (Mi.) Date
156,000 km 97,500 Mi. (or 78 Mo.)	(Sign or Stamp)	Km (Mi.) Date
168,000 km 105,000 Mi. (or 84 Mo.)	(Sign or Stamp)	Km (Mi.) Date

Non-Scheduled Maintenance Record

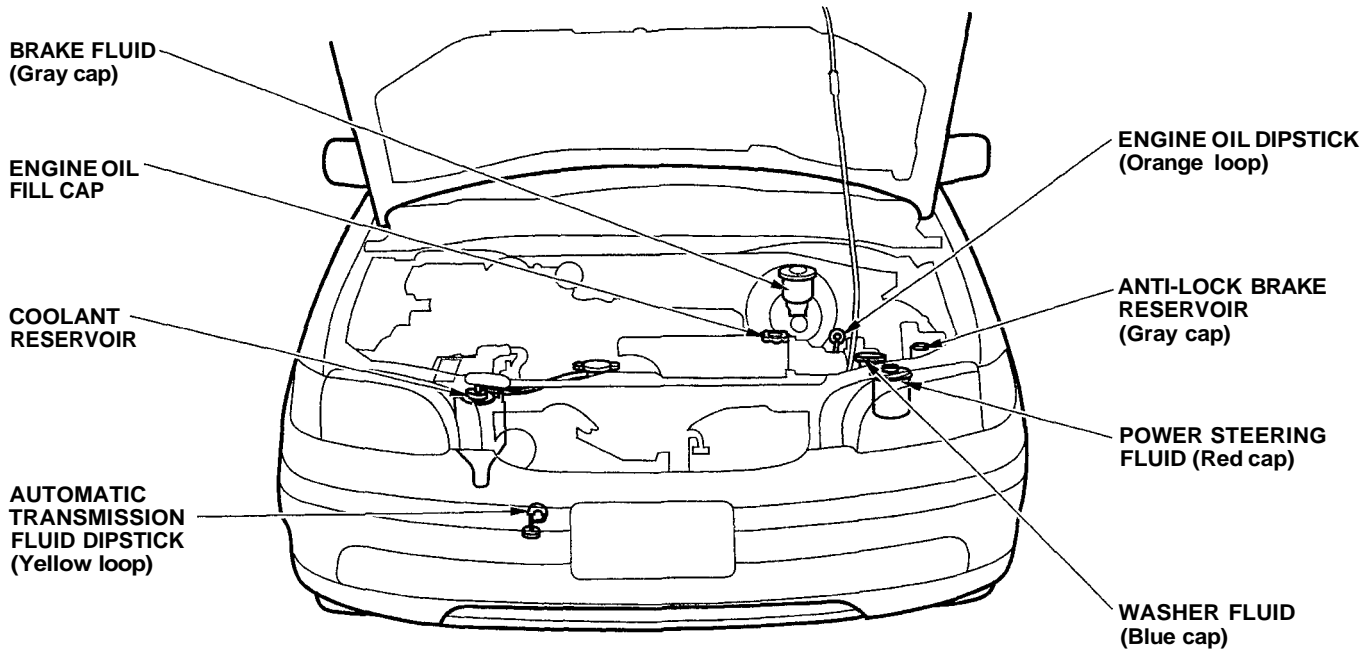
Record additional maintenance for severe driving conditions or non-scheduled maintenance on this page (see page 141).

Maintenance Performed:	(Sign or Stamp)	Km (Mi.)
		Date
Maintenance Performed:	(Sign or Stamp)	Km (Mi.)
		Date
Maintenance Performed:	(Sign or Stamp)	Km (Mi.)
		Date
Maintenance Performed:	(Sign or Stamp)	Km (Mi.)
		Date
Maintenance Performed:	(Sign or Stamp)	Km (Mi.)
		Date
Maintenance Performed:	(Sign or Stamp)	Km (Mi.)
		Date
Maintenance Performed:	(Sign or Stamp)	Km (Mi.)
		Date

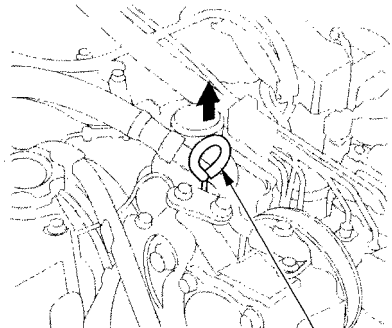
Maintenance Performed:	(Sign or Stamp)	Km (Mi.)
		Date
Maintenance Performed:	(Sign or Stamp)	Km (Mi.)
		Date
Maintenance Performed:	(Sign or Stamp)	Km (Mi.)
		Date
Maintenance Performed:	(Sign or Stamp)	Km (Mi.)
		Date
Maintenance Performed:	(Sign or Stamp)	Km (Mi.)
		Date
Maintenance Performed:	(Sign or Stamp)	Km (Mi.)
		Date
Maintenance Performed:	(Sign or Stamp)	Km (Mi.)
		Date

You should check the following items at the specified intervals. If you are unsure of how to perform any check, turn to the page given.

- Engine oil level — Check every time you fill the fuel tank. See page [112](#).
- Engine coolant level — Check the radiator reserve tank every time you fill the fuel tank. See page [113](#).
- Windshield washer fluid — Check the level in the reservoir monthly. If weather conditions cause you to use the washers frequently, check the reservoir each time you stop for fuel. See page [154](#).
- Automatic transmission — Check the fluid level monthly. See page [155](#).
- Brakes and power steering — Check the fluid level monthly. See page [156](#).
- Tires — Check the tire pressure monthly. Examine the tread for wear and foreign objects. See page [169](#).
- Battery — Check its condition and the terminals for corrosion monthly. See page [162](#).
- Air conditioning — Check its operation weekly. See page [168](#).
- Lights — Check the operation of the headlights, parking lights, taillights, high-mount brake light, turn signals, brake lights, and license plate lights monthly. See page [175](#).



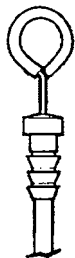
Checking Engine Oil



DIPSTICK

Check the engine oil a couple of minutes after shutting off the engine. This will allow the oil to drain down to the bottom of the engine. Make sure the car is parked on level ground.

1. Pull out the dipstick (orange loop) and wipe it with a cloth or paper towel.
2. Insert it all the way back in its tube.

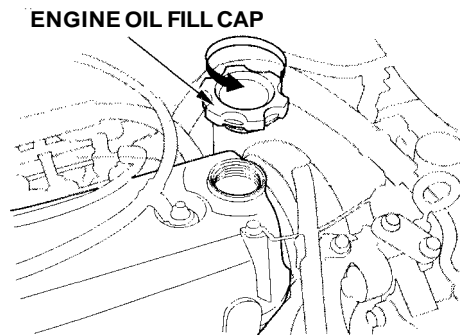


UPPER MARK

LOWER MARK

3. Pull it out again and look at the oil level at the end of the dipstick. If it is between the upper and lower marks, the level is correct. Add oil if the level is at or below the lower mark.

Adding Oil



ENGINE OIL FILL CAP

To add oil, unscrew and remove the engine oil fill cap on top of the valve cover. Pour in the oil, and replace the engine oil fill cap. Tighten it securely. Wait a few minutes and recheck the oil level. Do not fill above the upper mark; you could damage the engine.

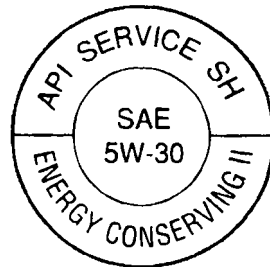
Recommended Oil

Oil is a major contributor to your engine's performance and longevity. Always use a premium-grade detergent oil.

You can determine an oil's SAE viscosity and Service Classification from the API Service label on the oil container.

A fuel-efficient oil is recommended for your Honda. This is shown on the API Service label by the words "Energy Conserving II." This oil is formulated to help your engine use less fuel.

The API Service label also tells you the service classification of the oil. Always use an oil that says "API Service SH." This service rating may also include other designations, such as CD. These additional classifications are not a problem, as long as the label also carries the SH classification. An oil that is only classified SF is not recommended.



API SERVICE LABEL

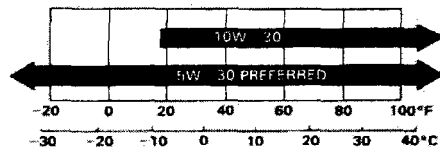
The oil container may also display the API Certification mark shown below. Make sure it says "For Gasoline Engines."



API CERTIFICATION MARK

CONTINUED

The SAE numbers tell you the oil's viscosity or weight. Select the oil for your car according to this chart.



Ambient Temperature

An oil with a viscosity of 5W-30 is preferred for improved fuel economy and year-round protection in your Honda. You may use a 10W-30 oil if the temperature in your area never goes below 20°F (—7°C).

Synthetic Oil

You may use a synthetic motor oil if it meets the same requirements given for conventional motor oil; energy conserving, a service classification of SH, and the proper weight as shown on the chart. When using synthetic oil, you must follow the oil and filter change intervals given in the maintenance schedule.

Additives

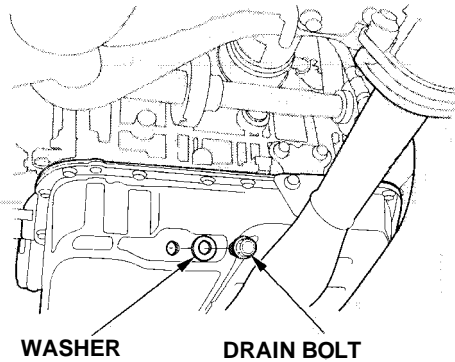
Your Honda does not need any oil additives. Purchasing additives for the engine or transmission will not increase your car's performance or longevity. It only increases the cost of operating your car.

Oil and Filter Changes

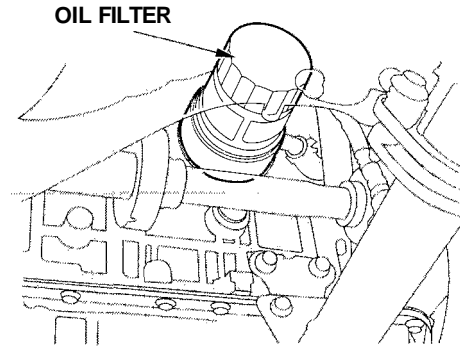
Always change the oil and filter according to the time and distance recommendations in the maintenance schedule. The oil and filter collect contaminants that can damage your engine if they are not removed regularly.

Changing the oil and filter requires special tools and access from underneath the car. The car should be raised on a service station-type hydraulic lift for this service. Unless you have the knowledge and proper equipment, you should have this maintenance done by a skilled mechanic.

1. Run the engine until it reaches normal operating temperature, then shut it off.



2. Open the hood and remove the engine oil fill cap. Remove the oil drain bolt from the bottom of the engine. Drain the oil into an appropriate container.



3. Remove the oil filter and let the remaining oil drain. A special wrench (available from your Honda dealer) is required to remove the filter.
4. Install a new oil filter according to instructions that come with it.
5. Put a new washer on the drain bolt, then reinstall the drain bolt. Tighten it to:
43 N.m (4.4 kgf.m , 32 lbf.ft)

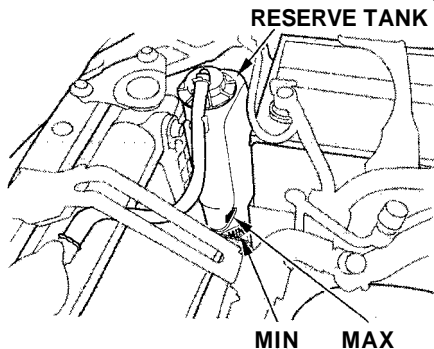
6. Refill the engine with the recommended oil.
Engine oil change capacity (including filter):
3.8 l (4.0 US qt, 3.3 Imp qt)
7. Replace the engine oil fill cap. Start the engine. The oil pressure indicator light should go out within five seconds. If it does not, turn off the engine and reinspect your work.
8. Let the engine run for several minutes and check the drain bolt and oil filter for leaks.
9. Turn off the engine, let it sit for several minutes, then check the oil level. If necessary, add oil to bring the level to the upper mark on the dipstick.

CONTINUED

NOTICE

If you change your own oil, please dispose of the used oil properly. Put it in a sealed container and take it to a recycling center. Do not discard it in a trash bin or dump it on the ground.

Checking the Engine Coolant Level



Check the level of the engine coolant by looking at the radiator reserve tank next to the battery. If the coolant level in the reserve tank is at or below the MIN line, add coolant to bring it up to the MAX line. Inspect the cooling system for leaks. This coolant should always be a mixture of 50% antifreeze and 50% water. Never add straight antifreeze or plain water.

Always use Genuine Honda Anti-freeze/Coolant. The cooling system contains many aluminum components that can corrode if an improper antifreeze is used. Some antifreeze, even though labeled as safe for aluminum parts, may not provide adequate protection.

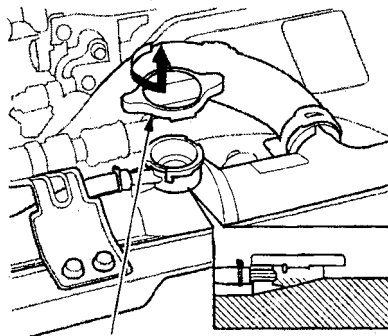
Adding Engine Coolant

If the reserve tank is completely empty, you should also check the coolant level in the radiator.

Removing the radiator cap while the engine is hot can cause the coolant to spray out, seriously scalding you.

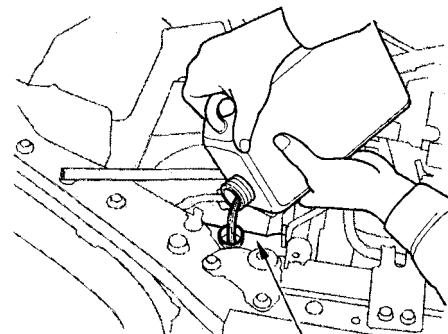
Always let the engine and radiator cool down before removing the radiator cap.

1. Make sure the engine and radiator are cool.



RADIATOR CAP

2. Turn the radiator cap counter-clockwise, without pressing down on it, until it stops. This relieves any pressure remaining in the cooling system.
3. Remove the radiator cap by pushing down and turning counterclockwise.



RESERVE TANK

4. The coolant level should be up to the base of the filler neck. Add coolant if it is low.
5. Put the radiator cap back on. Tighten it fully.
6. Pour coolant into the reserve tank. Fill it to halfway between the MAX and MIN marks. Put the cap back on the reserve tank.

CONTINUED

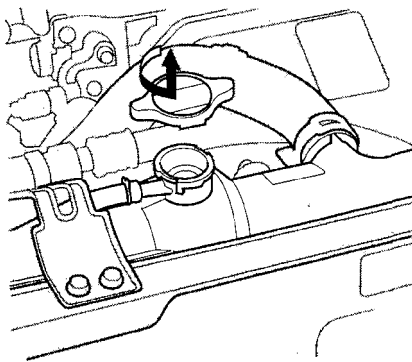
Cooling System

Do not add any rust inhibitors or other additives to your car's cooling system. They may not be compatible with the coolant or engine components.

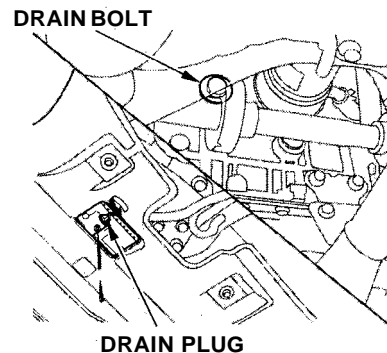
Replacing Engine Coolant

The cooling system should be completely drained and refilled with new coolant according to the time and distance recommendations in the maintenance schedule. Only use recommended antifreeze.

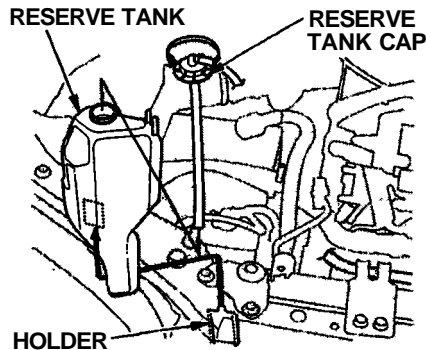
Draining the coolant requires access to the underside of the car. Unless you have the tools and knowledge, you should have this maintenance done by a skilled mechanic.



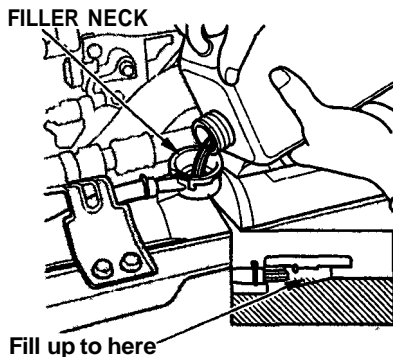
1. Start the engine. Turn the heater temperature control dial to maximum heat and turn off the engine. Open the hood. Make sure the engine and radiator are cool to the touch.
2. Remove the radiator cap.



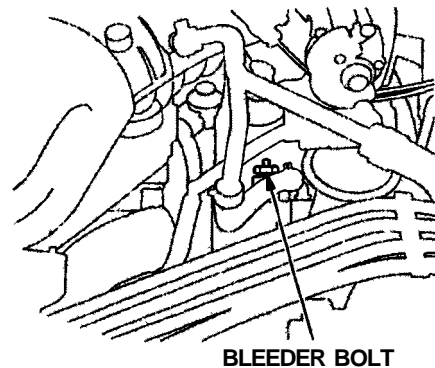
3. Loosen the drain plug on the bottom of the radiator. The coolant will drain through the splash guard. Remove the drain bolt from the engine block.



4. Remove the reserve tank from its holder by pulling it straight up. Drain the coolant, then put the tank back in its holder.
5. When the coolant stops draining, tighten the drain plug in the bottom of the radiator. Apply non-hardening sealant to the drain bolt threads and reinstall the bolt in the engine block. Tighten it securely.

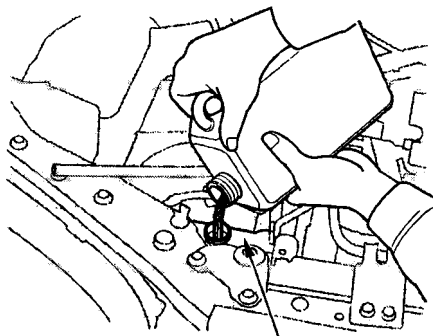


6. Mix the recommended antifreeze with an equal amount of purified or distilled water in a clean container. The cooling system capacity is:
6.3ℓ (1.66 US gal, 1.39 Imp gal)
7. Pour coolant into the radiator up to the base of the filler neck.



8. Loosen the bleeder bolt on top of the engine. Tighten it again when coolant comes out in a steady stream with no bubbles.
9. Refill the radiator to the base of the filler neck. Put the cap on the radiator, only tighten it to the first stop. Start the engine and let it run until it warms up (the radiator cooling fan comes on at least twice).

CONTINUED



RESERVE TANK

10. Turn off the engine. Check the level in the radiator, add coolant if needed. Install the radiator cap, tighten it fully.
11. Fill the reserve tank to the MAX mark. Install the reserve tank cap.

Windshield Washers

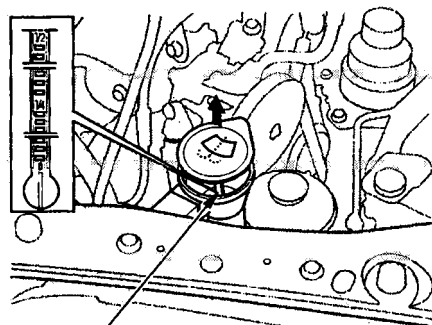
Check the level in the windshield washer reservoir at least monthly during normal usage. In bad weather, when you use the washers often, check the level every time you stop for fuel.

The windshield washer reservoir is located behind the left headlight. Check the reservoir's fluid level by removing the cap and looking at the level gauge attached to the cap.

Fill the reservoir with a good-quality windshield washer fluid. This increases the cleaning capability and prevents freezing in cold weather.

NOTICE

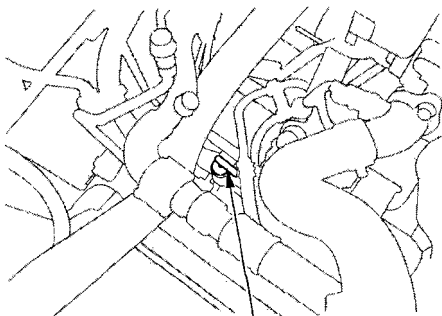
Do not use engine antifreeze or a vinegar/water solution in the windshield washer reservoir.



LEVEL GAUGE

Antifreeze can damage your car's paint while a vinegar/water solution can damage the windshield washer pump.

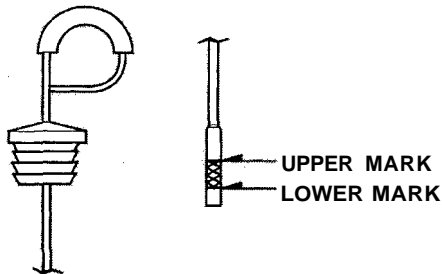
Use only commercially-available windshield washer fluid.



DIPSTICK

Check the fluid level with the engine at normal operating temperature.

1. Park the car on level ground. Shut off the engine.
2. Remove the dipstick (yellow loop) from the transmission and wipe it with a clean cloth.



3. Insert the dipstick all the way into the transmission.
4. Remove the dipstick and check the fluid level. It should be between the upper and lower marks.

5. If the level is below the lower mark, add fluid into the tube to bring it to the upper mark. Use Honda Premium Formula Automatic Transmission Fluid or an equivalent DEXRON® II Automatic Transmission Fluid (ATF) only.

6. Insert the dipstick all the way back in the transmission.

The transmission should be drained and refilled with new fluid according to the time and distance recommendations in the maintenance schedule.

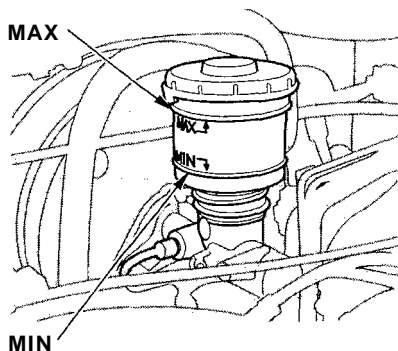
Brake Fluid

Check the fluid level in the reservoirs monthly. There are one or two reservoirs, depending on model. They are:

- Brake fluid reservoir (all models)
- ABS reservoir (cars with ABS)

The brake fluid in the brake system should be replaced every 36 months or 72,000 km (45,000 miles), whichever comes first.

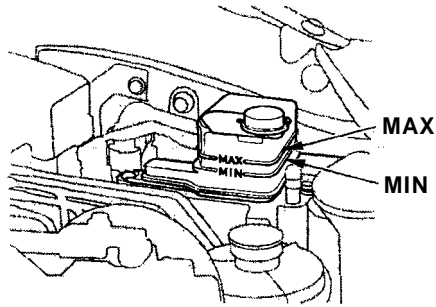
Brake System



The fluid should be between the MIN and MAX marks on the side of the reservoir. If the level is at or below the MIN mark, it is an indication that your brake system needs attention. Have the brake system inspected for leaks or worn brake pads.

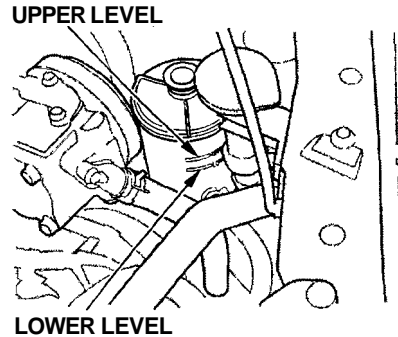
If you add brake fluid to bring it up to the MAX mark, use Genuine Honda Brake Fluid or an equivalent from a sealed container that is marked DOT3 or DOT4 only. Brake fluid marked DOT5 is not compatible with your car's braking system.

Anti-lock Brake System



The fluid should be between the MIN and MAX marks on the side of the reservoir. If it is at or below the MIN mark, it indicates a possible problem in the ABS. Have the dealer inspect the system as soon as possible.

Power Steering



You should check the fluid level in the power steering reservoir monthly. Check the level when the engine is cold. Look at the side of the reservoir. The fluid should be between the UPPER LEVEL and LOWER LEVEL. If it is below the LOWER LEVEL, add power steering fluid to the UPPER LEVEL.

NOTICE

Using automatic transmission fluid or another brand of power steering fluid will damage the system. Use only GENUINE HONDA Power Steering Fluid-V.

A low power steering fluid level can indicate a leak in the system. Check the fluid level frequently and have the system inspected as soon as possible.

NOTICE

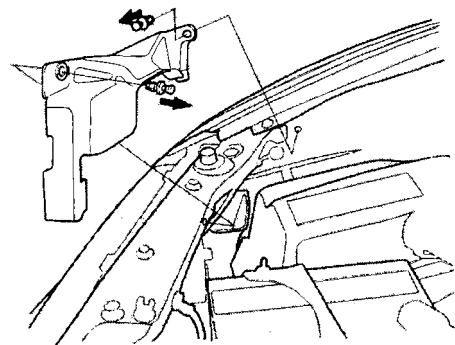
Turning the steering wheel to full left or right lock and holding it there can damage the power steering pump.

The air cleaner element should be cleaned or replaced according to the time and distance recommendations in the maintenance schedule.

Cleaning (Severe Conditions)

Clean the air cleaner element by blowing compressed air through it in the opposite direction to normal air flow. If you do not have access to compressed air (such as a service station), ask your Honda dealer to do this service.

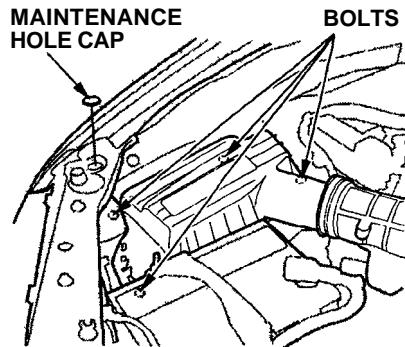
Follow the replacement procedure for removal and reinstallation.



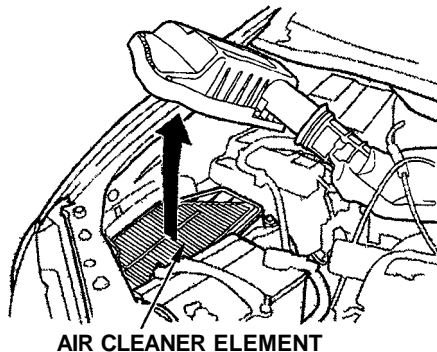
The air cleaner element is inside the box on the passenger's side of the engine compartment.

To replace it:

1. Remove the two pins holding the air intake cover by pulling the head on each pin. Remove the air intake cover.
2. Remove the air duct from the air cleaner housing cover.



3. Loosen the four bolts and remove the air cleaner housing cover. Remove the maintenance hole cap so you can reach the right front bolt through the hole.
4. Remove the old air cleaner element. Clean the inside of the air cleaner housing with a damp rag.



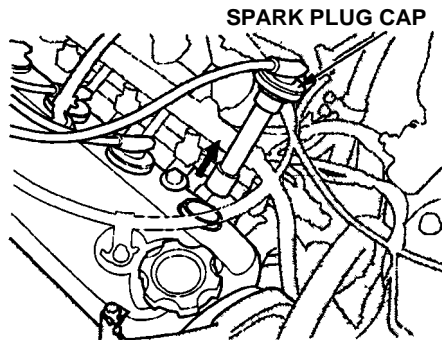
5. Place the new air cleaner element in the air cleaner housing.
6. Reinstall the air cleaner housing cover, tighten the four bolts.
7. Reinstall the air intake cover. Reinstall the two pins and secure them by pushing on the heads until they lock.

8. Reinstall the air duct on the air cleaner housing cover. Reinstall the maintenance hole cap.

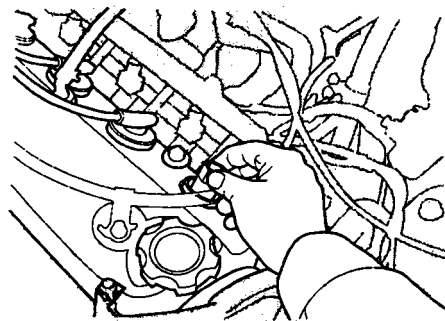
Spark Plugs

The spark plugs in your car need to be replaced every 2 years or 48,000 km (30,000 miles), whichever comes first.

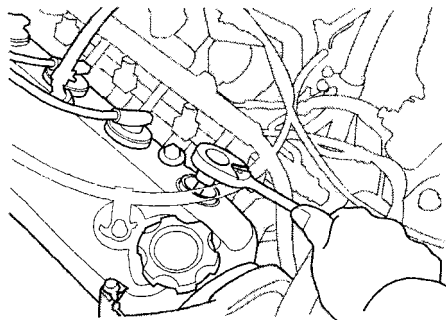
Replacement



1. Clean up any dirt and oil around the spark plug caps.
2. Remove the spark plug cap by pulling it straight out.
3. Remove the spark plug with a 16 mm (5/8 inch) spark plug socket.



4. Put the new spark plug into the socket, then thread it into the hole. Screw it in by hand so you do not crossthread it.



5. Torque the spark plug. (If you do not have a torque wrench, tighten the spark plug 2/3 turn after it contacts the cylinder head.)
Tightening torque:
18 N.m (1.8 kgf.m , 13 lbf.ft)

NOTICE

Tighten the spark plugs carefully. A spark plug that is too loose can overheat and damage the engine. Overtightening can cause damage to the threads in the cylinder head.

6. Install the spark plug cap.
7. Repeat this procedure for the other three spark plugs.

Specifications:

NGK: **ZFR5F-11**
Nippondenso: **KJ16CR-L11**

Spark Plug Gap:
1.1 mm (0.04 in) $\begin{matrix} +0 \\ -0.1 \text{ mm} \end{matrix}$

Check the condition of your car's battery monthly. You should check for proper electrolyte level and corrosion on the terminals.

The battery contains sulfuric acid (electrolyte) which is highly corrosive and poisonous.

Getting electrolyte in your eyes or on your skin can cause serious burns.

Wear protective clothing and eye protection when working near the battery.

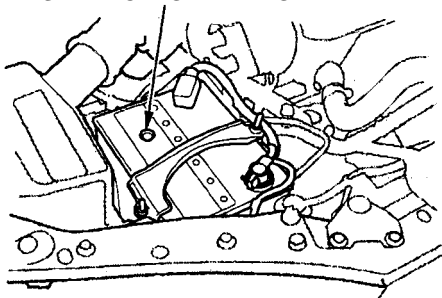
Emergency Procedures

Eyes — Flush with water from a cup or other container for at least fifteen minutes. (Water under pressure can damage the eye.) Immediately call a physician or 911.

Skin — Remove contaminated clothing. Flush the skin with large quantities of water. Call a physician immediately.

Swallowing — Drink water or milk. Call your local Poison Control Center or a physician immediately.

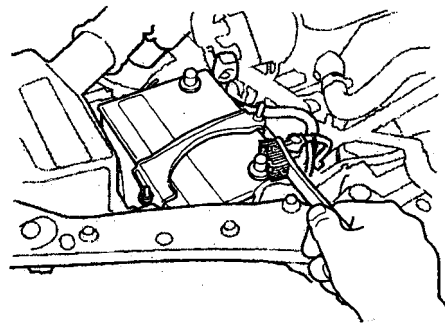
TEST INDICATOR WINDOW



Check the battery condition by looking at the test indicator window on the battery:

- Blue — Good condition
- Red — Add distilled water
- White — Charging necessary

Check the battery terminals for corrosion (a white or yellowish powder). To remove it, cover the terminals with a solution of baking soda and water. It will bubble up and turn brown. When this stops, wash it off with plain water. Dry off the battery with a cloth or paper towel. Coat the terminals with grease to help prevent future corrosion.



If the terminals are severely corroded, clean them with baking soda and water. Then use a wrench to loosen and remove the cables from the terminals. Always disconnect the negative (—) cable first and reconnect it last. Clean the battery terminals with a terminal cleaning tool or wire brush. Reconnect and tighten the cables, then coat the terminals with grease.

CONTINUED

If you need to connect the battery to a charger, disconnect both cables to prevent damage to the car's electrical system.

The battery gives off explosive hydrogen gas during normal operation.

A spark or flame can cause the battery to explode with enough force to kill or seriously hurt you.

Wear protective clothing and a face shield, or have a skilled mechanic do the battery maintenance.

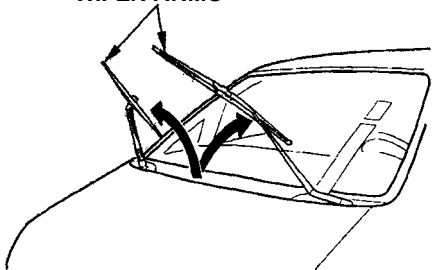
On the U.S. EX model

If your car's battery is disconnected or goes dead, the audio system will disable itself. The next time you turn on the radio you will see "Code" in the frequency display. Use the Preset buttons to enter the five-digit code (see page [106](#)).

NOTICE

Charging the battery with the cables connected can seriously damage your car's electronic controls. Detach the battery cables before connecting the battery to a charger.

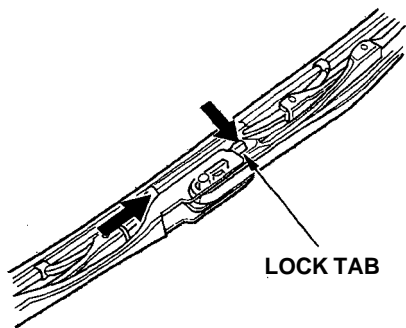
WIPER ARMS



Check the condition of the windshield wiper blades at least every six months. Look for signs of cracking in the rubber, or areas that are getting hard. Replace the blades if you find these signs, or they leave streaks and unwiped areas when used.

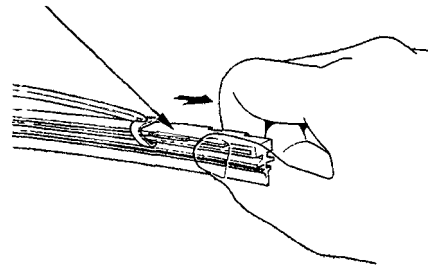
To replace the front wiper blades:

1. Raise the wiper arm off the windshield.



2. Disconnect the blade assembly from the wiper arm by pushing in the lock tab. Hold it in while you push the blade assembly toward the base of the arm.

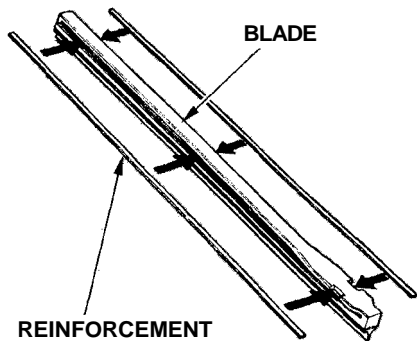
BLADE



3. Remove the blade from its holder by grasping the tabbed end of the blade. Pull firmly until the tabs come out of the holder.

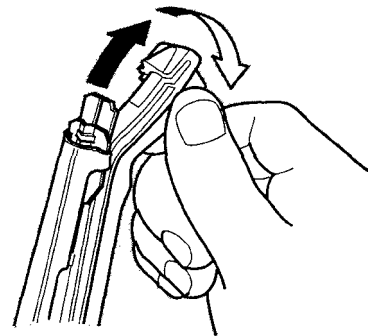
CONTINUED

Windshield Wipers



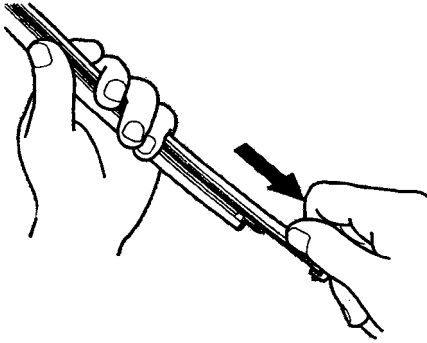
4. Examine the new wiper blades. If they have no plastic or metal reinforcement along the back edge, remove the metal reinforcement strips from the old wiper blade and install them in the slots along the edge of the new blade.

5. Slide the new wiper blade into the holder until the tabs lock.
6. Slide the wiper blade assembly onto the wiper arm. Make sure it locks in place.
7. Lower the wiper arm down against the windshield.

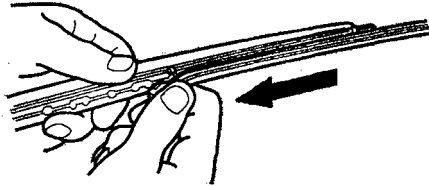


To replace the rear wiper blade:

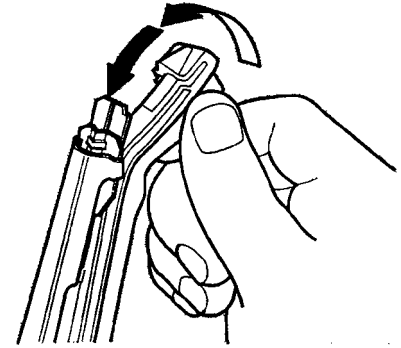
1. Raise the wiper arm off the windshield.
2. Pull the lock tab up and slide the blade assembly off the wiper arm.
3. Pull one end of the blade out and down to remove it from the slot.



4. Slide the blade out of the holder.



5. Slide the new blade into the holder. Make sure it is engaged in the slot along its full length.



6. Insert both ends of the blade into the holder slots. Make sure they are secure.

7. Slide the wiper blade assembly onto the wiper arm. Make sure it locks in place.

8. Lower the wiper arm.

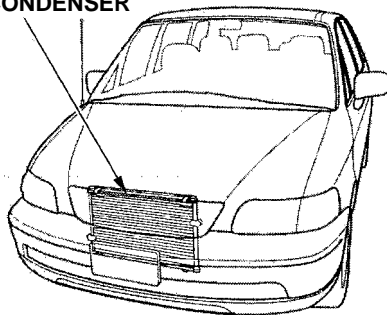
Your car's air conditioning is a sealed system. Any major maintenance, such as recharging, should be done by a qualified technician. There are a couple of things you can do to make sure the air conditioning works efficiently.

Periodically check the engine's radiator and air conditioning condenser for leaves, insects, and dirt stuck to the front surface. These block the air flow and reduce cooling efficiency. Use a light spray from a hose or a soft brush to remove them.

NOTICE

The condenser and radiator fins bend easily. Only use a low-pressure spray or soft-bristle brush to clean them.

AIR CONDITIONING CONDENSER



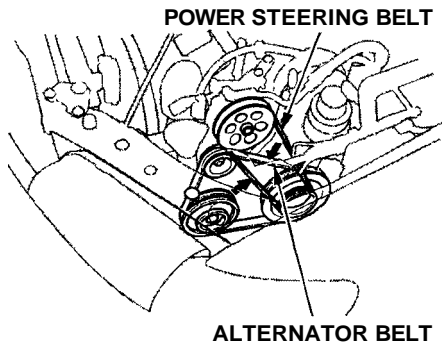
Run the air conditioning at least once a week during the cold weather months. Run it for at least ten minutes while you are driving at a steady speed with the engine at normal operating temperature. This circulates the lubricating oil contained in the refrigerant.

If the air conditioning does not get as cold as before, have your dealer check the system. Recharge the system with Refrigerant HFC-134a (R-134a). (See Specifications on page 218.)

NOTICE

Whenever you have the air conditioning system serviced, make sure the service facility uses a refrigerant recycling system. This system captures the refrigerant for reuse. Releasing refrigerant into the atmosphere can damage the environment.

Drive Belts



Check the condition of the two drive belts. Examine the edges of each belt for cracks or fraying. Check the tension of each belt by pushing on it with your thumb midway between the pulleys. The belts should have the following "play" or deflection.

Alternator belt:

8.0 — 10.5 mm (0.31 — 0.41 in)

Power steering belt:

13.0 — 16.0 mm (0.51 — 0.63 in)

If you see signs of wear or looseness, have your dealer adjust or replace the belts.

Tires

To safely operate your car, your tires must be the proper type and size, in good condition with adequate tread, and correctly inflated. The following pages give more detailed information on how and when to check air pressure, how to inspect your tires for damage and wear, and what to do when your tires need to be replaced.

Using tires that are excessively worn or improperly inflated can cause a crash in which you can be seriously hurt or killed.

Follow all instructions in this owner's manual regarding tire inflation and maintenance.

Inflation

Keeping the tires properly inflated provides the best combination of handling, tread life and riding comfort. Under-inflated tires wear unevenly, adversely affect handling and fuel economy, and are more likely to fail from being overheated. Overinflated tires can make your car ride more harshly, are more prone to damage from road hazards, and wear unevenly.

We recommend that you visually check your tires every day and use a gauge to measure the air pressure at least once a month. If you think a tire might be low, check it immediately. Remember to check the spare tire at the same time you check all the other tires.

Check the pressure in the tires when they are cold. This means the car has been parked for at least three hours. If you have to drive the car

before checking the tire pressure, the tires can still be considered "cold" if you drive less than 1.6 km (1 mile).

If you check the pressure when the tires are hot (the car has been driven several miles), you will see readings 30 to 40 kPa (0.3 to 0.4 kg/cm², 4 to 6 psi) higher than the cold reading. This is normal. Do not let air out to match the specified cold pressure. The tire will be underinflated.

Recommended Tire Pressures for Normal Driving

The following chart shows the recommended cold tire pressures for most normal driving conditions and speeds. Tire pressures for high speed driving are shown on page [222](#).

Tire Size	Cold Tire Pressure for Normal Driving
P205/65R15 92S	220 kPa (2.2 kgf/cm ² 32 psi)

The compact spare tire pressure is: 420 kPa (4.2 kgf/cm², 60 psi)

The pressures are also given on the tire information label on the driver's doorjamb.

You should get your own tire pressure gauge and use it whenever you check your tire pressures. This will make it easier for you to tell if a pressure loss is due to a tire problem and not due to a variation between gauges.

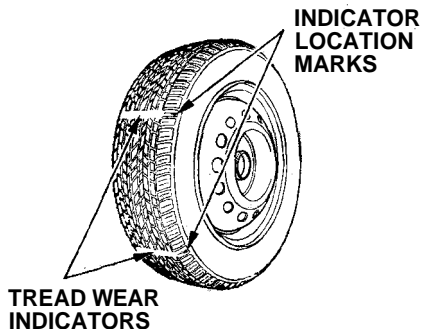
Tubeless tires have some ability to self-seal if they are punctured. However, because leakage is often very slow, you should look closely for punctures if a tire starts losing pressure.

Inspection

Every time you check inflation, you should also examine the tires for damage, foreign objects, and wear.

You should look for:

- Bumps or bulges in the tread or side of the tire. Replace the tire if you find either of these conditions.
- Cuts, splits, or cracks in the side of the tire. Replace the tire if you can see fabric or tread.
- Excessive tread wear.



Your car's tires have wear indicators molded into the tread. When the tread wears down to that point, you will see a 12.7 mm (1/2 inch) wide band running across the tread. This shows there is less than 1.6 mm (1/16 inch) of tread left on the tire. A tire that is this worn gives very little traction on wet roads. You should replace the tire if you can see the tread wear indicator in three or more places around the tire.

Maintenance

In addition to proper inflation, correct wheel alignment helps to decrease tire wear. If you find a tire is worn unevenly, have your dealer check the wheel alignment.

CONTINUED

Tires

The tires were properly balanced by the factory. They may need to be rebalanced at some time before they are worn out. Have your dealer check the tires if you feel a consistent vibration while driving. A tire should always be rebalanced if it is removed from the wheel for repair.

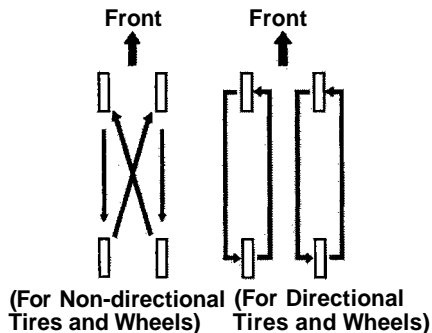
Make sure the installer balances the wheels when you have new tires installed. This increases riding comfort and tire life. Your car's original tires were dynamic or "spin" balanced at the factory. For best results, have the installer perform a dynamic balance.

NOTICE

(U.S. EX)

Improper wheel weights can damage your car's aluminum wheels. Use only genuine Honda wheel weights for balancing.

Tire Rotation



To help increase tire life and distribute wear more evenly, you should have the tires rotated every 12,000 km (7,500 miles). Move the tires to the positions shown in the chart each time they are rotated.

When shopping for replacement tires, you may find that some tires are "directional." This means they are designed to rotate only in one direction. If you use directional tires, they should be rotated only front-to-back.

Replacing Tires and Wheels

The tires that came with your car were selected to match the performance capabilities of the car while providing the best combination of handling, ride comfort, and long life. You should replace them with radial tires of the same size, load range, speed rating, and maximum cold tire pressure rating (as shown on the tire's sidewall). Mixing radial and bias-ply tires on your car can reduce its braking ability, traction, and steering accuracy.

Installing improper tires on your car can affect handling and stability. This can cause a crash in which you can be seriously hurt or killed.

Always use the size and type of tires recommended in this owner's manual.

It is best to replace all four tires at the same time. If that is not possible or necessary, then replace the two front tires or the two rear tires as a pair. Replacing just one tire can seriously affect your car's handling.

The ABS works by comparing the speed of the wheels. When replacing tires, use the same size originally supplied with the car. Tire size and construction can affect wheel speed and may cause the system to work inconsistently.

If you ever need to replace a wheel, make sure the wheel's specifications match those of the original wheel that came on your car. Replacement wheels are available at your Honda dealer.

Wheels and Tires

Wheel:

15x6JJ

Tire:

P205/65R15 92S

See *Tire Information* on page [221](#) for additional information about tire and wheel size designations. See page [222](#) for information about DOT Tire Quality Grading.

Winter Driving

Tires that are marked "M + S" or "All Season" on the sidewall have an all-weather tread design. They should be suitable for most winter driving conditions. Tires without these markings are designed for optimum traction in dry conditions. They may not provide adequate performance in winter driving. For the best performance in snowy or icy conditions, you should install snow tires or tire chains. They may be required by local laws under certain conditions.

CONTINUED

Snow Tires

If you mount snow tires on your Honda, make sure they are radial tires of the same size and load range as the original tires. Mount snow tires on all four wheels to balance your car's handling in all weather conditions. Keep in mind the traction provided by snow tires on dry roads may not be as high as your car's original equipment tires. You should drive cautiously even when the roads are clear. Check with the tire dealer for maximum speed recommendations.

Tire Chains

Mount snow chains on your car when warranted by driving conditions or required by local laws. Make sure the chains are the correct size for your tires. Install them only on the front tires. If metal chains are used, they must be SAE class "S". Cable type traction devices can also be used.

When installing chains, follow the manufacturer's instructions and mount them as tightly as you can. Drive slowly with chains installed. If you hear the chains contacting the body or chassis, stop and tighten them. If they still make contact, slow down until it stops. Remove the chains as soon as you begin driving on cleared roads.

NOTICE

Chains of the wrong size or that are improperly installed can damage your car's brake lines, suspension, body, and wheels. Stop driving if you hear the chains hitting any part of the car.

Check the operation of your car's exterior lights at least once a month. A burned out bulb can create an unsafe condition by reducing your car's visibility and the ability to signal your intentions to other drivers.

Check the following:

- Headlights (low and high beam)
- Parking lights
- Taillights
- Brake lights
- High-mount brake light
- Turn signals
- Back-up lights
- Hazard light function
- License plate light
- Side marker lights
- Daytime running lights (Canadian cars)

If you find any bulbs are burned out, replace them as soon as possible. Refer to the chart on page 219 to determine what type of replacement bulb is needed.

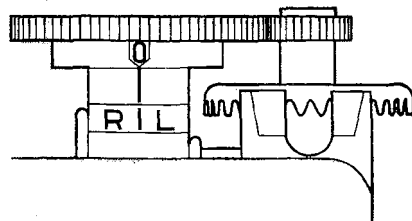
Headlight Aiming

The headlights were properly aimed when your car was new. You should check their aim if you regularly carry heavy items in the cargo area or pull a trailer. Each headlight assembly has horizontal and vertical adjustment indicators. These are set to their "0" positions after the headlights are aimed at the factory.

To check these settings:

1. Make sure the fuel tank is full.
Park the car on level ground.
2. The driver or someone who weighs the same should be sitting in the driver's seat for all checks and adjustments.
Load your car with the items you normally carry.

HORIZONTAL ANGLE GAUGE

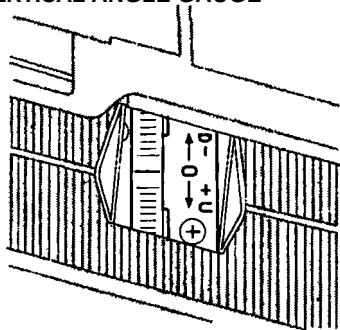


If you usually pull a trailer, load it as you would normally and attach it to the car. Push down on the front and rear bumpers several times to make sure the car is sitting normally.

3. Open the hood.
4. Check the horizontal angle gauge. The line on the adjustment screw indicator should line up with the "0" mark on the gauge.

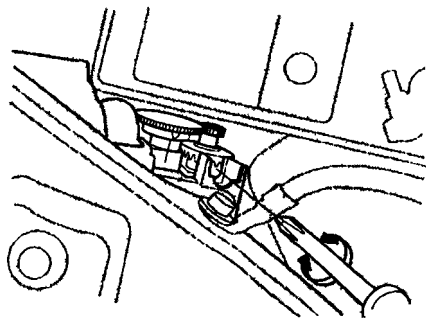
CONTINUED

VERTICAL ANGLE GAUGE



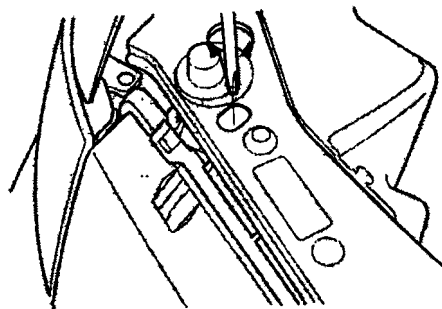
5. Check the vertical angle gauge. The bubble should be centered underneath the longest scribe mark on the gauge.

HORIZONTAL ADJUSTMENT



6. If either indicator is not aligned with its "0" mark as described, an adjustment can be made using a Phillips-head screwdriver to realign it with the "0" mark. Please refer to the illustrations.

VERTICAL ADJUSTMENT



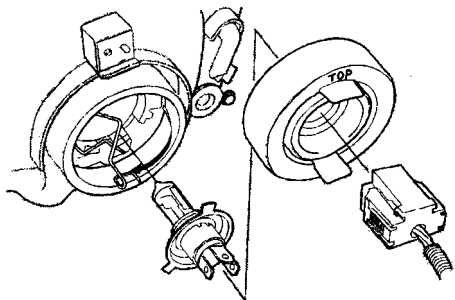
7. If you cannot get an indicator to align, have your Honda dealer inspect the car for body damage suspension problems.

Replacing a Headlight Bulb

Your car has halogen headlight bulbs, one on each side. When replacing a bulb, handle it by its steel base and protect the glass from contact with your skin or hard objects. If you touch the glass, clean it with denatured alcohol and a clean cloth.

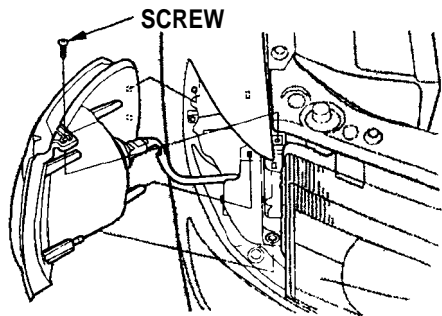
NOTICE

Halogen headlight bulbs get very hot when lit. Oil, perspiration, or a scratch on the glass can cause the bulb to overheat and shatter.

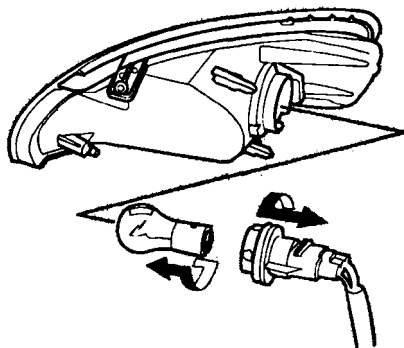


1. Open the hood.
If you need to change a bulb on the passenger's side, remove the air intake cover (see page 158).
2. Remove the electrical connector from the bulb by squeezing the connector on both sides to unlock the tab. Pull the connector straight off.
3. Remove the rubber weather seal by pulling on the tab.
4. Unclip the end of the hold-down wire from its slot. Pivot it out of the way and remove the bulb.
5. Insert the new bulb into the hole, making sure the tabs are in their slots. Pivot the hold-down wire back in place and clip the end into the slot.
6. Install the rubber seal over the back of the headlight assembly. Make sure it is right side up; it is marked "TOP".
7. Push the electrical connector onto the tabs of the new bulb. Make sure it locks in place.
Turn on the headlights to test the new bulb.
8. (Passenger's side)
Reinstall the air intake cover.

Replacing the Front Side Marker/ Turn Signal and Parking Light Bulb



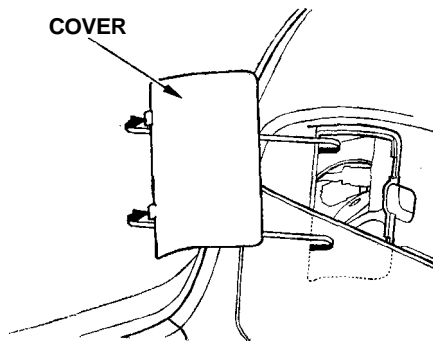
1. Use a Phillips-head screwdriver to remove the screw from the top of the fender.
2. Move the side marker light assembly forward until it slides out of the body.



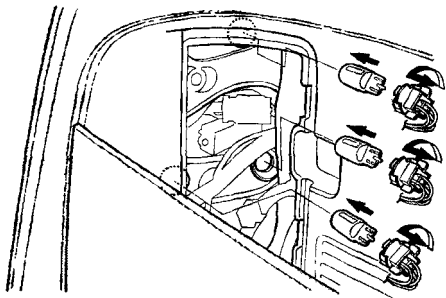
3. Turn the socket one-quarter turn counterclockwise to remove it from the lens.
4. Remove the bulb by pushing it in slightly and turning it counterclockwise.

5. Install the new bulb in the socket. Turn it clockwise to lock it in place.
6. Insert the socket back into the lens. Turn it clockwise to lock it in place.
7. Put the side marker assembly back into the body. Align the four tabs and push on the front edge until it snaps into place. Install the mounting screw and tighten it securely.

Replacing Rear Bulbs



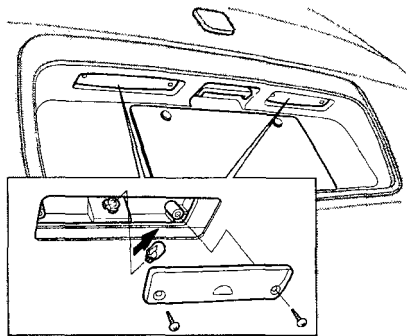
1. Open the tailgate. Swing the taillight cover open and remove it. To replace a bulb on the right side, remove the spare tire (see page [194](#)).
2. Determine which of the three bulbs is burned out: tail/stoplight, back-up light or turn signal.



3. Remove the socket by turning it one-quarter turn counterclockwise.
4. Remove the burned out bulb from the socket by pulling it straight out of its socket.
5. Install the new bulb in the socket.

6. Reinstall the socket into the light assembly.
7. Test the lights to make sure the new bulb is working.
8. Reinstall the taillight assembly cover.
9. (Right side)
Reinstall the spare tire.

Replacing a Rear License Bulb



1. Remove the two screws and remove the lens.
2. Pull the bulb straight out of its socket. Push the new bulb in until it bottoms in the socket.

3. Turn on the parking lights and check that the new bulb is working.
4. Reinstall the lens. Reinstall the two screws and tighten them securely.

Replacing Bulbs in the Interior Lights

The courtesy lights in the doors, tailgate and ceiling come apart the same way. They do not all use the same bulb.

1. Remove the lens by carefully prying on the edge of the lens with a fingernail file or a small flat-tip screwdriver. Do not pry on the edge of the housing around the lens.

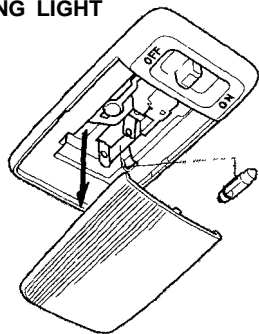
Door light:

pry on the bottom middle of the lens.

Ceiling light:

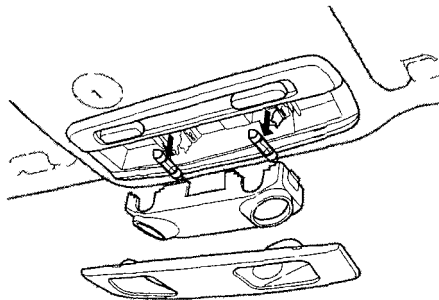
pry on the front edge of the lens in the middle.

CEILING LIGHT

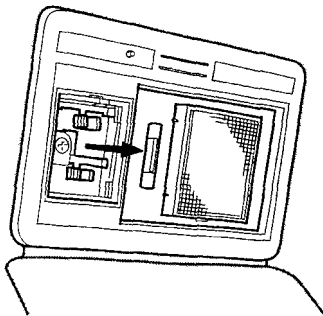


2. Remove the bulb by pulling it straight out of its metal tabs.
3. Push the new bulb into the metal tabs. Snap the lens back in place.

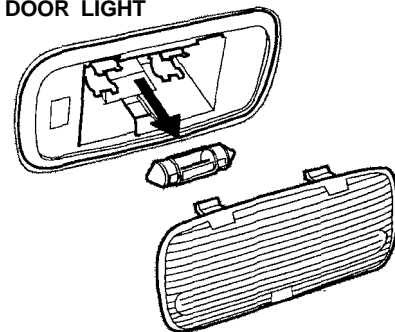
SPOTLIGHT



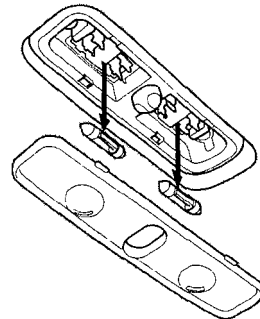
SUN VISOR



DOOR LIGHT



TAILGATE LIGHT



Storing Your Car

If you need to park your car for an extended period (more than 1 month), there are several things you should do to prepare it for storage. Proper preparation helps prevent deterioration and makes it easier to get your car back on the road. It is best to store your car indoors if at all possible.

- Fill the fuel tank.
- Change the engine oil and filter (see page [148](#)).
- Wash and dry the exterior completely.
- Clean the interior. Make sure the carpeting, floor mats, etc. are completely dry.
- Leave the parking brake off. Put the transmission in Park.

- Block the rear wheels.
- If the car is to be stored for a longer period, it should be supported on jackstands so the tires are off the ground.
- Leave one window open slightly (if the car is being stored indoors).
- Disconnect the battery.
- Support the front and rear wiper blade arms with a folded towel or rag so they do not touch the windshield.
- Apply a silicone spray lubricant to all door and tailgate seals. Also, apply wax to the painted surfaces that mate with the door and tailgate seals.

- Cover the car with a "breathable" car cover, one made from a porous material such as cotton. Nonporous materials, such as plastic sheeting, trap moisture which can damage the paint.
- If possible, run the engine for a while periodically (preferably once a month).

If you store your car for 12 months or longer, have your Honda dealer perform the inspections called for in the 24 months/48,000 km (30,000 miles) maintenance schedule (Normal Conditions) as soon as you take it out of storage (see page [140](#)) The replacements called for in the maintenance schedule are not needed unless the car has actually reached that time or mileage.

Regular cleaning and polishing of your Honda helps to keep it "new" looking. This section gives you hints on how to clean and preserve your car's appearance: the paint, brightwork, wheels and interior. Also included are several things you can do to help prevent corrosion.

Exterior Care.....	184
Washing.....	184
Waxing.....	184
Aluminum Wheels.....	185
Paint Touch-up.....	185
Interior Care.....	186
Carpeting.....	186
Fabric.....	186
Vinyl.....	186
Seat Belts.....	187
Windows.....	187
Air Fresheners.....	187
Corrosion Protection.....	188
Body Repairs.....	189

Washing

Frequent washing helps preserve your car's beauty. Dirt and grit can scratch the paint, while tree sap and bird droppings can permanently ruin the finish.

Wash your car in a shady area, not in direct sunlight. If the car is parked in the sun, move it into the shade and let the exterior cool down before you start.

NOTICE

Chemical solvents and strong cleaners can damage the paint, metal, and plastic on your car.

- Rinse the car thoroughly with cool water to remove loose dirt.
- Fill a bucket with cool water. Mix in a mild detergent, such as dishwashing liquid or a product made especially for car washing.

- Wash the car, using the water and detergent solution and a soft-bristle brush, sponge, or soft cloth. Start at the top and work your way down. Rinse frequently.
- Check the body for road tar, tree sap, etc. Remove these stains with tar remover or turpentine. Rinse it off immediately so it does not harm the finish. Remember to re-wax these areas, even if the rest of the car does not need waxing.
- When you have washed and rinsed the whole exterior, dry it with a chamois or soft towel. Letting it air-dry will cause dulling and water spots.

As you dry the car, inspect it for chips and scratches that could allow corrosion to start. Repair them with touch-up paint (see page [185](#)).

NOTICE

The radio antenna on your car does not need to be removed when you use a "drive-through" car wash. However, you remove the antenna, make sure to reinstall it and tighten it securely using an appropriate tool.

Waxing

Always wash and dry the whole car before waxing it. You should wax your car, including the metal trim, whenever water sits on the surface in large patches. It should form into beads or droplets after waxing.

You should use a quality liquid or paste wax. Apply it according to the instructions on the container. In general, there are two types of products:

Waxes — A wax coats the finish and protects it from damage by exposure to sunlight, air pollution, etc. You should use a wax on your Honda when it is new.

Polishes — Polishes and cleaner/waxes can restore the shine to paint that has oxidized and lost some of its shine. They normally contain mild abrasives and solvents that remove the top layer of the finish. You should use a polish on your Honda if the finish does not have its original shine after using a wax.

Cleaning tar, insects, etc. with removers also takes off the wax. Remember to re-wax those areas, even if the rest of the car does not need waxing.

Aluminum Wheels

On some models

Clean your Honda's aluminum alloy wheels as you do the rest of the exterior. Wash them with the same solution, and rinse them thoroughly.

The wheels have a protective clear-coat that keeps the aluminum from corroding and tarnishing. Using harsh chemicals, including some commercial wheel cleaners, or stiff brushes can damage this clear-coat. Only use a mild detergent and soft brush or sponge to clean the wheels.

Paint Touch-up

Your dealer has touch-up paint to match your car's color. The color code is printed on a sticker on the driver's doorjamb. Take this code to your dealer so you are sure to get the correct color.

Inspect your car frequently for chips or scratches in the paint. Repair them right away to prevent corrosion of the metal underneath. Use the touch-up paint only on small chips and scratches. More extensive paint damage should be repaired by a professional.

Carpeting

Vacuum the carpeting frequently to remove dirt. Ground-in dirt will make the carpet wear out faster.

Periodically shampoo the carpet to keep it looking new. Use one of the foam-type carpet cleaners on the market. Follow the instructions that come with the cleaner, applying it with a sponge or soft brush. Keep the carpeting as dry as possible by not adding water to the foam.

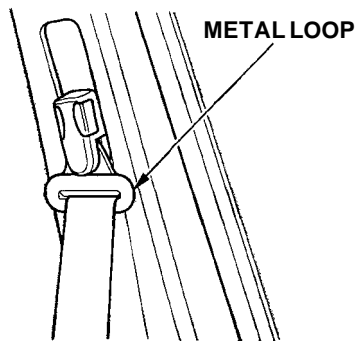
Fabric

Vacuum dirt and dust out of the material frequently. For general cleaning, use a solution of mild soap and lukewarm water, letting it air dry. To clean off stubborn spots, use a commercially-available fabric cleaner. Test it on a hidden area of the fabric first, to make sure it does not bleach or stain the fabric. Follow the instructions that come with the cleaner.

Vinyl

Remove dirt and dust with a vacuum cleaner. Wipe the vinyl with a soft cloth dampened in a solution of mild soap and water. Use the same solution with a soft-bristle brush on more difficult spots. You can also use commercially-available spray or foam-type vinyl cleaners.

Seat Belts



If your seat belts get dirty, you can use a soft brush with a mixture of mild soap and warm water to clean them. Do not use bleach, dye, or cleaning solvents. They can weaken the belt material. Let the belts air-dry before you use the car.

Dirt build-up in the metal loops of the seat belt anchors can cause the belts to retract slowly. Wipe the inside of the loops with a clean cloth dampened in isopropyl alcohol or a mixture of mild soap and warm water.

Windows

Clean the windows, inside and out, with a commercially-available glass cleaner. You can also use a mixture of one part white vinegar to ten parts water. This will remove the haze that builds up on the inside of the windows. Use a soft cloth or paper towels to clean all glass and clear plastic surfaces.

NOTICE

The rear window defogger wires are bonded to the inside of the glass. Wiping vigorously up-and-down can dislodge and break the defogger wires. When cleaning the rear window, use gentle pressure and wipe side-to-side.

Air Fresheners

If you want to use an air freshener/deodorizer in the interior of your car, it is best to use a solid type. Some liquid air fresheners contain chemicals that may cause parts of the interior trim and fabric to crack or discolor.

If you use a liquid air freshener, make sure you fasten it securely so it does not spill as you drive.

Corrosion Protection

Two factors normally contribute to causing corrosion in your car:

1. Moisture trapped in body cavities. Dirt and road salt that collects in hollows on the underside of the car stays damp, promoting corrosion in that area.
2. Removal of paint and protective coatings from the exterior and underside of the car.

Many corrosion-preventive measures are built into your Honda. You can help keep your car from corroding by performing some simple periodic maintenance:

- Repair chips and scratches in the paint as soon as you discover them.
- Inspect and clean out the drain holes in the bottom of the doors and body.
- Check the floor coverings for dampness. Carpeting and floor mats may remain damp for a long time, especially in winter. This dampness can eventually cause the floor panels to corrode.

- Use a high-pressure spray to clean the underside of your car. This is especially important in areas that use road salt in winter. It is also a good idea in humid climates and areas subject to salt air. Cars equipped with ABS have a sensor and wiring at each wheel. Be careful not to damage them.
- Have the corrosion-preventive coatings on the underside of your car inspected and repaired periodically.

Body repairs can affect your car's resistance to corrosion. If your car needs repairs after a collision, pay close attention to the parts used in the repair and the quality of the work.

Make sure the repair facility uses genuine Honda replacement body parts. Some companies make sheetmetal pieces that seem to duplicate the original Honda body parts, but are actually inferior in fit, finish, and corrosion resistance. Once installed, they do not give the same high-quality appearance.

When reporting your collision to the insurance company, tell them you want genuine Honda parts used in the repair. Although most insurers recognize the quality of original parts, some may try to specify that the repairs be done with other available parts. You should investigate this before any repairs are begun.

Take your car to your authorized Honda dealer for inspection after the repairs are completed. He can make sure that quality materials were used, and that corrosion-preventive coatings were applied to all repaired and replaced parts.

This section covers the more-common problems that motorists experience with their cars. It gives you information about how to safely evaluate the problem and what to do to correct it. If the problem has stranded you on the side of the road, you may be able to get going again. If not, you will also find instructions on getting your car towed.

Compact Spare Tire.....	192
Changing a Flat Tire.....	193
If Your Engine Won't Start.....	199
Nothing Happens.....	199
The Starter Operates Normally.....	200
Jump Starting.....	200
If Your Engine Overheats.....	202
Low Oil Pressure.....	204
Charging System Indication.....	205
Malfunction Indicator Lamp.....	206
Closing the Sunroof.....	207
Fuses.....	208
Checking and Replacing.....	209
Towing.....	213

Compact Spare Tire

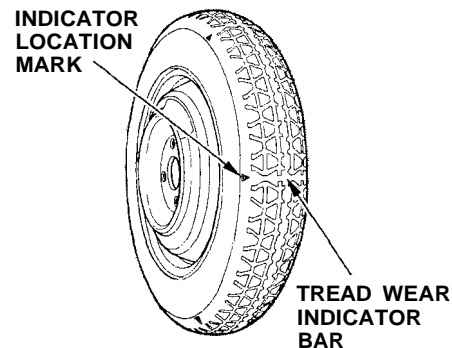
Your car has a compact spare tire that takes up less space. Use this spare tire as a temporary replacement only. Get your regular tire repaired or replaced and put back on your car as soon as you can.

Check the inflation pressure of the compact spare tire every time you check the other tires. It should be inflated to:

420 kPa (4.2 kgf/cm² , 60 psi)

Follow these precautions whenever you are using the compact spare tire:

- Do not exceed 50 mph (80 km/h) under any circumstances.
- This tire gives a harsher ride and less traction on some road surfaces than the regular tire. Use greater caution while driving on this tire.
- Do not mount snow chains on the compact spare.
- The wheel of the compact spare tire is designed especially to fit your car. Do not use your spare tire on another car unless it is the same make and model.

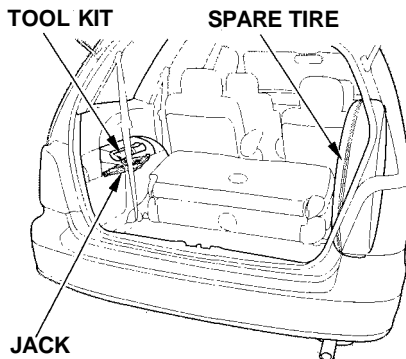


The compact spare tire has a shorter tread life than a regular tire. Replace it when you can see the tread wear indicator bars. The replacement should be the same size and design tire, mounted on the same wheel. The compact spare tire is not designed to be mounted on a regular wheel, and the compact wheel is not designed for mounting a regular tire.

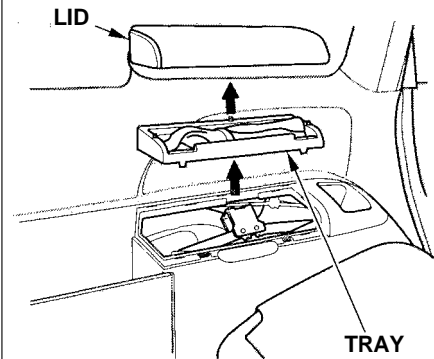
If you have a flat tire while driving, stop in a safe place to change it. Stopping in traffic or on the shoulder of a busy road is dangerous. Drive slowly along the shoulder until you get to an exit or an area to stop that is far away from the traffic lanes.

The car can easily roll off the jack, seriously injuring anyone underneath.

Follow the directions for changing a tire exactly, and never get under the car when it is supported only by the jack.



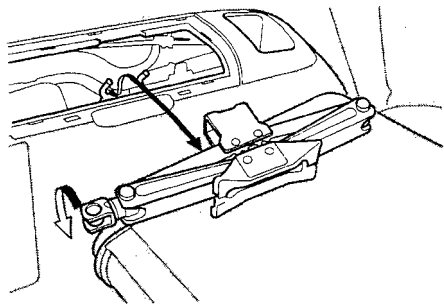
1. Park the car on firm, level ground away from traffic. Turn on the hazard warning lights and turn the ignition to LOCK (0).
2. Put the transmission in Park. Set the parking brake. Have your passengers get out of the vehicle.



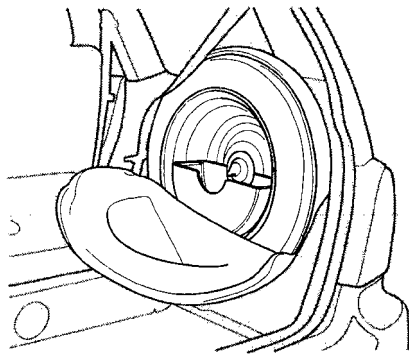
3. Open the tailgate. Fold down the third seat's seat-back (see page 60).
4. The tool kit and jack are stored under the third seat armrest on the driver's side. Remove the armrest pad by pulling it straight up.

CONTINUED

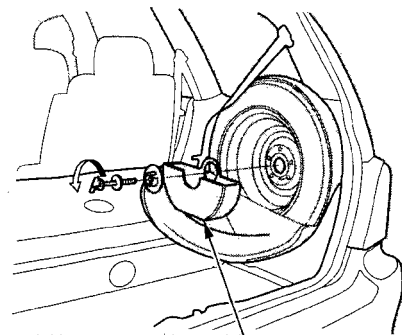
Changing a Flat Tire



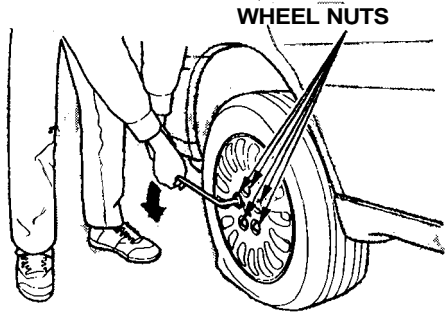
5. Remove the tools from the tray. Remove the tray by pulling it straight up.
6. Loosen the jack from its holder by turning the end counterclockwise. Remove the jack from the compartment.



7. Unzip the spare tire cover.



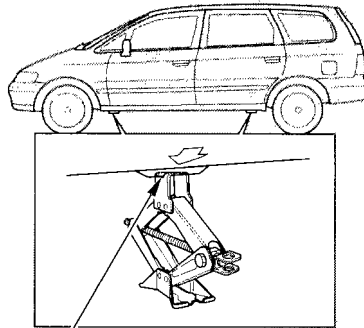
8. Unscrew the wing bolt. Remove the storage bin and spare tire.



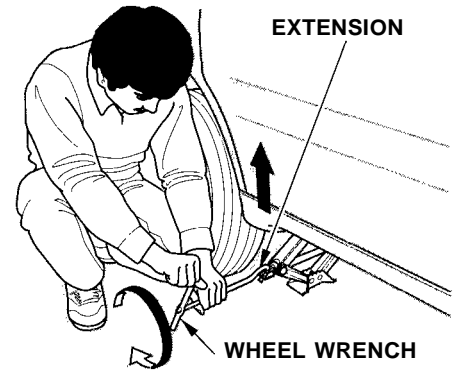
9. Loosen the five wheel nuts 1/2 turn with the wheel wrench.

LX model:

Do not attempt to forcibly pry the wheel cover off with a screwdriver or other tool. The wheel cover cannot be removed without first removing the wheel nuts.



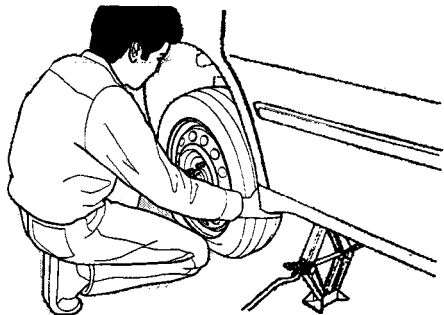
10. Find the jacking point nearest the wheel you are removing. Place the jack under the jacking point. Turn the end bracket clockwise until the top of the jack contacts the jacking point. Make sure the jacking point tab is resting in the jack notch.



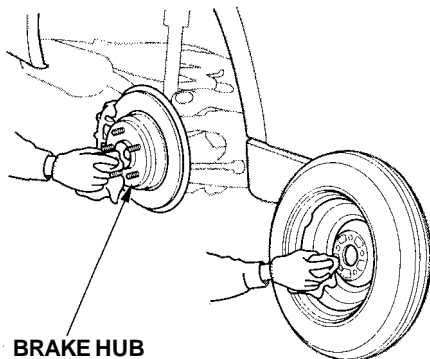
11. Use the extension and wheel wrench as shown to raise the car until the flat tire is off the ground.

CONTINUED

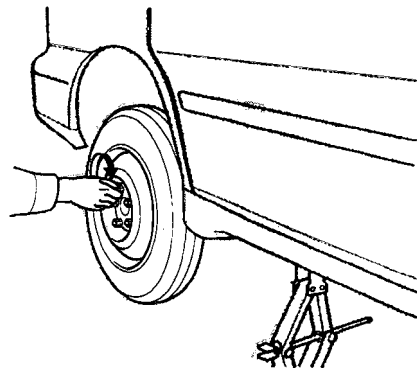
Changing a Flat Tire



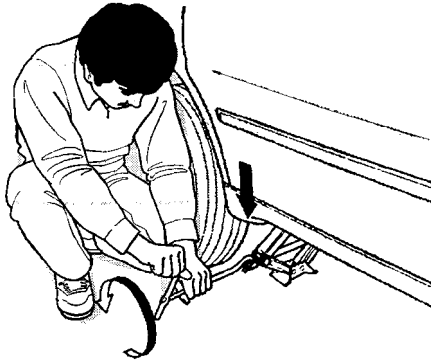
12. Remove the wheel nuts and flat tire. Temporarily place the flat tire on the ground with the outside surface of the wheel facing up. You could scratch the wheel if you put it face down.



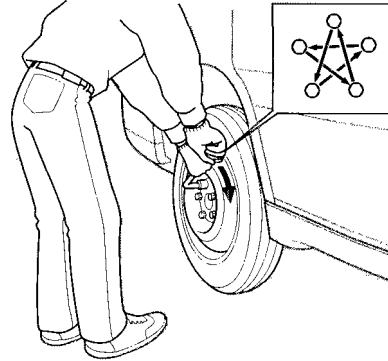
13. Before mounting the spare tire, wipe any dirt off the mounting surface of the wheel and hub with a cloth.



14. Put on the spare tire. Put the wheel nuts back on finger-tight, then tighten them in a crisscross pattern with the wheel wrench until the wheel is firmly against the hub. Do not try to tighten them fully.

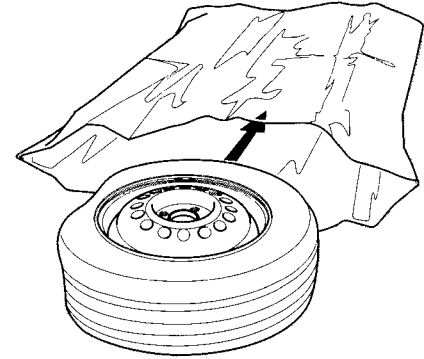


15. Lower the car to the ground and remove the jack.



16. Tighten the wheel nuts securely in the same crisscross pattern. Have the wheel nut torque checked at the nearest automotive service facility.

Tighten the wheel nuts to:
108 N.m (11 kgf.m , 80 lbf.ft)

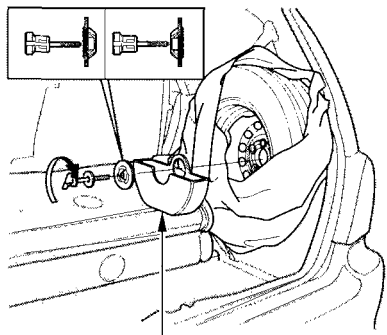


17. Put the flat tire in the supplied vinyl bag.

EX model:
Remove the center cap.

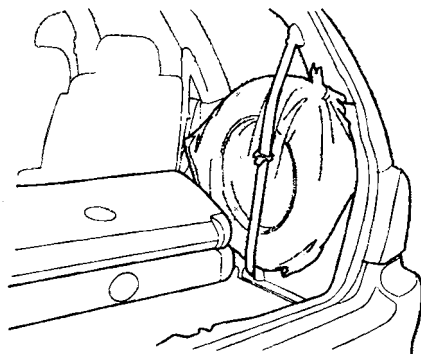
CONTINUED

Changing a Flat Tire



STORAGE BIN

18. Remove the spacer cone from the wing bolt, turn it over, and put it back on the bolt.
19. Install the flat tire and storage bin on the side panel as shown. Secure them by screwing the wing bolt back into its hole.



20. Put the spare tire cover in the storage bin.
21. Knot the top of the vinyl bag as shown.

22. Store the jack in its holder. Turn the jack's end bracket clockwise to lock it in place. Replace the tool tray and store the tool kit. Install the armrest pad.
23. Store the wheel cover or center cap in the cargo area. Make sure it will not get scratched or damaged.

Diagnosing why your engine won't start falls into two areas, depending on what you hear when you turn the key to START (III):

- You hear nothing, or almost nothing. The engine's starter motor does not operate at all, or operates very slowly.
- You can hear the starter motor operating normally, but the engine does not start up and run.

Nothing Happens or the Starter Motor Operates Very Slowly

When you turn the ignition switch to START (III), you do not hear the normal noise of the engine trying to start. You may hear a clicking sound or series of clicks, or nothing at all. Check these things:

- Check the transmission interlock. The transmission must be in Park or Neutral or the starter will not operate.
- Turn the ignition switch to ON (II). Turn on the headlights and check their brightness. If the headlights are very dim or don't light at all, the battery is discharged. See **Jump Starting** on page [200](#).

- Turn the ignition switch to START (III). If the headlights do not dim, check the condition of the fuses. If the fuses are OK, there is probably something wrong with the electrical circuit for the ignition switch or starter motor. You will need a qualified technician to determine the problem. (See **Towing** on page [213](#).)

If the headlights dim noticeably or go out when you try to start the engine, either the battery is discharged or the connections are corroded. Check the condition of the battery and terminal connections (see page [162](#)). You can then try jump starting the car from a booster battery (see page [200](#)).

The Starter Operates Normally

In this case, the starter motor sounds normal when you turn the ignition switch to START (III), but the engine does not run.

- Are you using the proper starting procedure? Refer to **Starting the Engine** on page 119 .
- Do you have fuel? Turn the ignition switch to ON (II) for a minute and watch the fuel gauge. The low fuel level warning light may not be working, so you were not reminded to fill the tank.
- There may be an electrical problem, such as no power to the fuel pump. Check all the fuses (see page 208).

If you find nothing wrong, you will need a qualified technician to find the problem. See **Towing** on page 213.

Jump Starting

If your car's battery has run down, you may be able to start the engine by using a booster battery. Although this seems like a simple procedure, there are several precautions you should take. Follow the directions closely.

A battery can explode if you do not follow the correct procedure, seriously injuring anyone nearby.

Keep all sparks, open flames, and smoking materials away from the battery.

You cannot start a Honda by pushing or pulling it.

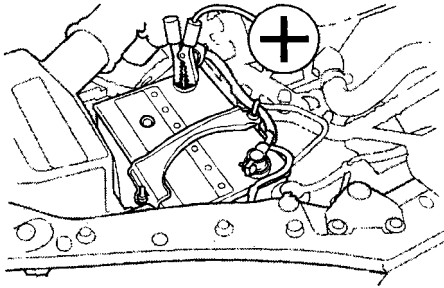
To jump start your car:

1. Open the hood and check the physical condition of the battery (see page 162). In very cold weather, check the condition of the electrolyte. If it seems slushy or like ice, do not try jump starting until it thaws.

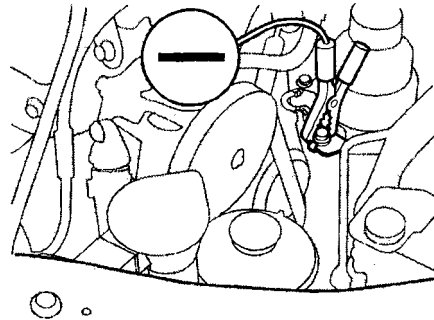
NOTICE

If a battery sits in extreme cold, the electrolyte inside can freeze. Attempting to jump start with a frozen battery can cause it to rupture or explode.

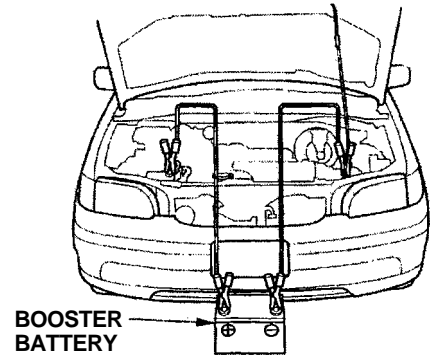
2. Turn off all the electrical accessories: heater, A/C, stereo system lights, etc. Put the transmission in Neutral or Park and set the parking brake.



3. Connect one jumper cable to the positive (+) terminal on the booster battery. Connect the other end to the positive (+) terminal on your Honda's battery.



4. Connect the second jumper cable to the negative (-) terminal on the booster battery. Connect the other end to the grounding strap as shown. Do not connect this jumper cable to any other part of the engine.
5. If the booster battery is in another car, have an assistant start that car and run it at a fast idle.



6. Start your car. If the starter motor still operates slowly, check the jumper cable connections to make sure they have good metal-to-metal contact.
7. Once your car is running, disconnect the negative cable from your car, then from the booster battery. Disconnect the positive cable from your car, then the booster battery.

If Your Engine Overheats

The pointer of your car's temperature gauge should stay in the mid-range under most conditions. It may go higher if you are driving up a long steep hill on a very hot day. If it climbs to the red mark, you should determine the reason.

NOTICE

Driving with the temperature gauge pointer at the red mark can cause serious damage to your engine.

Your car can overheat for several reasons, such as lack of coolant or a mechanical problem. The only indication may be the temperature gauge climbing to or above the red mark. Or you may see steam or spray coming from under the hood. In either case, you should take immediate action.

Steam and spray from an overheated engine can seriously scald you.

Do not open the hood if steam is coming out.

1. Safely pull to the side of the road. Put the transmission in neutral or park and set the parking brake. Turn off the heating and cooling system and all other accessories. Turn on the hazard warning indicators.
2. If you see steam and/or spray coming from under the hood, turn off the engine.
3. If you do not see steam or spray, leave the engine running and watch the temperature gauge. If the high heat is due to overloading (climbing a long, steep hill on a hot day with the A/C running, for example), the engine should start to cool down almost immediately. If it does, wait until the temperature gauge comes down to the mid point then continue driving.

4. If the temperature gauge stays at the red mark, turn off the engine.
5. Wait until you see no more signs of steam or spray, then open the hood.
6. Look for any obvious coolant leaks, such as a split radiator hose. Everything is still extremely hot, so use caution. If you find a leak, it must be repaired before you continue driving (see **Towing** on page 213).
7. If you don't find an obvious leak, check the coolant level in the radiator reserve tank (see page 150). If the level is below the MIN mark, add coolant to half-way between the MIN and MAX marks.
8. If there was no coolant in the reserve tank, you may also have to add coolant to the radiator. Let the engine cool down until the pointer

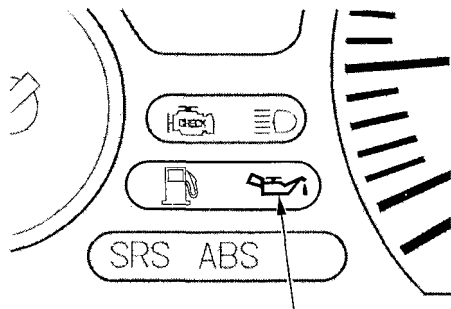
reaches the middle of the temperature gauge, or lower, before checking the radiator.

Removing the radiator cap while the engine is hot can cause the coolant to spray out, seriously scalding you.

Always let the engine and radiator cool down before removing the radiator cap.

9. Using gloves or a large heavy cloth, turn the radiator cap counterclockwise, without pushing down, to the first stop. This releases any remaining pressure in the cooling system. After the pressure releases, push down on the cap and turn it until it comes off.

10. Start the engine and set the temperature control lever to maximum. Add coolant to the radiator up to the base of the filler neck. If you do not have the proper coolant mixture available, you can add plain water. Remember to have the cooling system drained and refilled with the proper mixture as soon as you can.
11. Put the radiator cap back on tightly. Run the engine and watch the temperature gauge. If it goes back to the red mark, the engine needs repair. (See **Towing** on page 213.)
12. If the temperature stays normal, check the coolant level in the radiator reserve tank. If it has gone down, add coolant to the MAX mark. Put the cap back on tightly.



LOW OIL PRESSURE INDICATOR

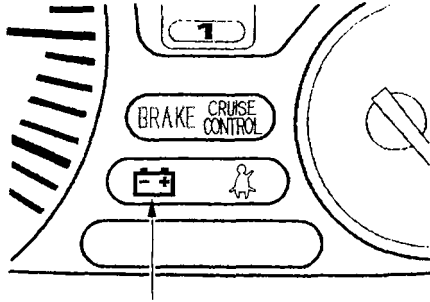
This indicator should light when the ignition is ON (II), and go out after the engine starts. It should never come on when the engine is running. If it starts flashing, it indicates that the oil pressure dropped very low for a moment, then recovered. If the indicator stays on with the engine running, it shows that the engine has lost oil pressure and serious engine damage is possible. In either case, you should take immediate action.

NOTICE

Running the engine with low oil pressure can cause serious mechanical damage almost immediately. Turn off the engine as soon as you can safely get the car stopped.

1. Safely pull off the road and shut off the engine.
2. Let the car sit for a minute. Open the hood and check the oil level (see page [146](#)). Although oil level and oil pressure are not directly connected, an engine that is very low on oil can lose pressure during cornering and other driving maneuvers.
3. If necessary, add oil to bring the level back to the full mark on the dipstick (see page [146](#)).

4. Start the engine and watch the oil pressure light. If the light does not go out within ten seconds, turn off the engine. There is a mechanical problem that needs to be repaired before you can continue driving. (See **Towing** on page [213](#).)



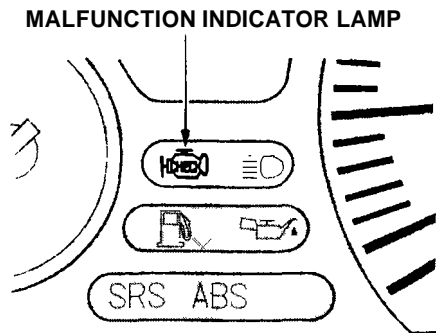
CHARGING SYSTEM INDICATOR

This indicator should come on when the ignition is ON (II), and go out after the engine starts. If it comes on brightly when the engine is running, it indicates that the charging system has stopped charging the battery.

Immediately turn off all electrical accessories: radio, heater, A/C, rear defogger, cruise control, etc. Try not to use other electrically-operated controls such as the power windows. Keep the engine running and take extra care not to stall it. Starting the engine will discharge the battery rapidly.

By eliminating as much of the electrical load as possible, you can drive several miles before the battery is too discharged to keep the engine running. Drive to a service station or garage where you can get technical assistance.

Malfunction Indicator Lamp



This indicator comes on for a few seconds when you turn the ignition switch ON (II). If it comes on at any other time, it indicates that one of the engine's emissions control systems may have a problem. Even though you may feel no difference in your car's performance, it can reduce your fuel economy and cause your car to put out excessive emissions. Continued operation may cause serious engine damage.

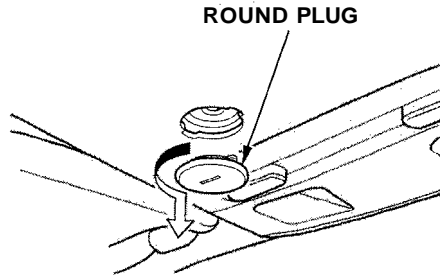
If this indicator light comes on, have your car checked by the dealer as soon as possible. Drive moderately until the dealer has inspected the problem. Avoid full-throttle acceleration and driving at high speed.

NOTICE

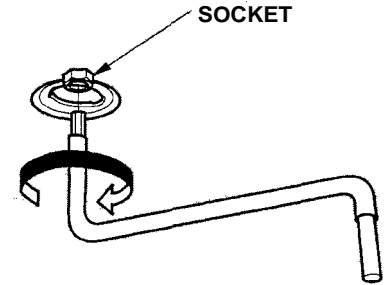
If you keep driving with the malfunction indicator lamp/check engine light on, you can damage your car's emission controls and engine. Those repairs may not be covered by your car's warranties.

If the electric motor will not close the sunroof, do the following:

1. Check the fuse for the sunroof motor (see page 208). If the fuse is blown, replace it with one of the same or lower rating.
2. Try closing the sunroof. If the new fuse blows immediately or the sunroof motor still does not operate, you can close the sunroof manually.
3. Get the tool kit out of the tool box.



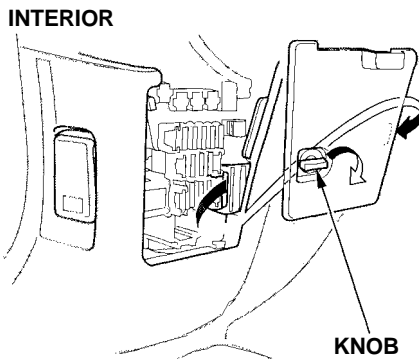
4. Use a screwdriver or coin to remove the round plug in the headliner between the sun visors.



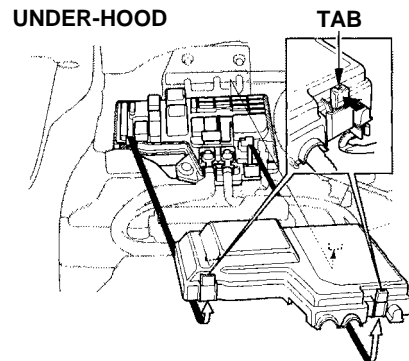
5. Insert the sunroof wrench into the socket behind this plug. Turn the wrench until the sunroof is fully closed.
6. Remove the wrench. Replace the round plug.

Fuses

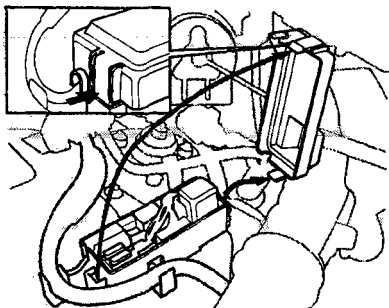
All the electrical circuits in your car have fuses to protect them from a short circuit or overload. These fuses are located in two or three fuse boxes.



The interior fuse box is underneath the dashboard on the driver's side. To open it, turn the knob as shown.



The under-hood fuse box is located in the engine compartment on the passenger's side. To open, push the tab as shown.

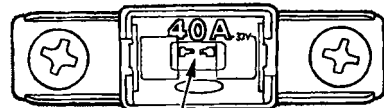
ABS FUSE BOX

Cars equipped with ABS have a third fuse box for the ABS. It is in the engine compartment on the right side.

Checking and Replacing Fuses

If something electrical in your car stops working, the first thing you should check for is a blown fuse. Determine from the chart on pages [211](#) and [212](#), or the diagram on the fuse box lid, which fuse or fuses control that component. Check those fuses first, but check all the fuses before deciding that is not the cause. Replace any blown fuses and check the component's operation.

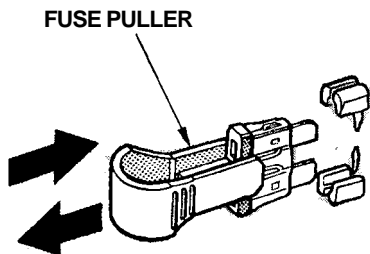
1. Turn the ignition switch to LOCK (0). Make sure the headlights and all other accessories are off.
2. Remove the cover from the fuse box.



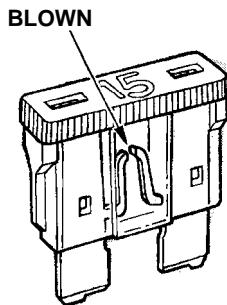
BLOWN

3. Check each of the large fuses in the under-hood fuse box by looking through the top at the wire inside. Removing these fuses requires a Phillips-head screwdriver.

CONTINUED



4. Check the smaller fuses in the under-hood fuse box and all the fuses in the interior fuse box by pulling out each fuse with the fuse puller provided in the interior fuse box.



5. Look for a burned wire inside the fuse. If it is burned out, replace it with one of the spare fuses of the same rating or lower.

If you cannot drive the car without fixing the problem, and you do not have a spare fuse, take a fuse of the same rating or a lower rating from one of the other circuits. Make sure you can do without that circuit temporarily (such as the cigarette lighter or radio).

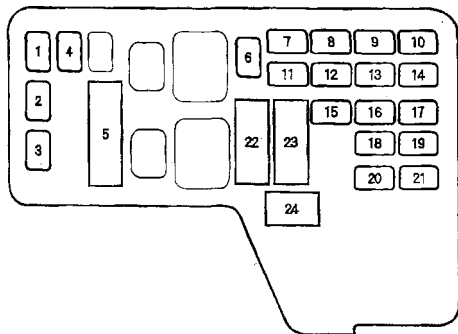
If you replace the blown fuse with a spare fuse that has a lower rating, it might blow out again. This does not indicate anything wrong. Replace the fuse with one of the correct rating as soon as you can.

NOTICE

Replacing a fuse with one that has a higher rating greatly increases the chances of damaging the electrical system. If you do not have a replacement fuse with the proper rating for the circuit, install one with a lower rating.

6. If the replacement fuse of the same rating blows in a short time, there is probably a serious electrical problem in your car. Leave the blown fuse in that circuit and have your car checked by a qualified technician.

UNDER-HOOD FUSE BOX



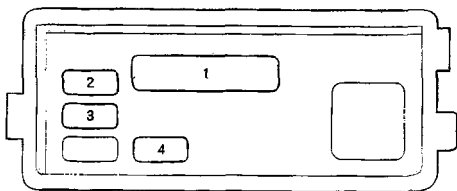
No.	Amps.	Circuits Protected
1	20 A	Cooling Fan
2	15 A	Right Headlight
3	15 A	Left Headlight
4	30 A	Rear Defroster
5	50 A	Ignition Switch
6	20 A	Rear Right Power Window
7	20 A	Front Right Power Window
8	30 A	Sunroof
9	20 A	Condenser Fan
10	7.5 A	Back Up (Radio)
11	20 A	Rear Left Power Window
12	20 A	Front Left Power Window
13	15 A	ECU (Injector) (PCM)
14	20 A	Door Lock
15	10 A	Daytime Running Light*
16	15 A	Dash lights, Exterior lights

No.	Amps.	Circuits Protected
17	7.5 A	Interior Light
18	20 A	Power Seat Height
19	15 A	Radio, Cigarette Lighter
20	15 A	Stop Light, Horn
21	10 A	Hazard
22	40 A	Heater Blower
23	40 A	Wiper
24	100 A	Battery

* : On Canadian cars

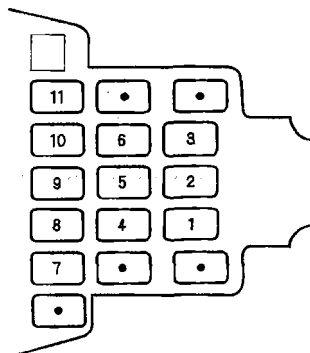
CONTINUED

ABS FUSE BOX



No.	Amps.	Circuits Protected
1	40 A	ABS Motor
2	20 A	ABS B1
3	15 A	ABS B2
4	10 A	ABS Unit

INTERIOR FUSE BOX



● : Spare Fuse

No.	Amps.	Circuits Protected
1	10 A	Back-up Lights, Meter Lights (Turn Signal)
2	15 A	Fuel Pump
3	10 A	SRS
4	7.5 A	ECU (Cruise Control)
5	10 A	Window Relay, Sunroof, Rear Wiper
6	10 A	Front Wiper Relay, Front Washer
7	7.5 A	Power Mirror
8	7.5 A	Heater Control Relay, A/C Clutch Relay, Cooling Fan Relay
9	7.5 A	Starter Signal
10	7.5 A	Daytime Running*
11	7.5 A	Radio

* : On Canadian cars

If your car needs to be towed, call a professional towing service or, if you belong to one, an organization that provides roadside assistance. Never tow your car behind another car with just a rope or chain. It is very dangerous.

Emergency Towing

There are three popular methods of towing a car:

Flat-bed Equipment — The operator loads your car on the back of a truck. **This is the best way of transporting your Honda.**

Wheel Lift Equipment — The tow truck uses two pivoting arms that go under the tires (front or rear) and lift them off the ground. The other two tires remain on the ground.

Sling-type Equipment — The tow truck uses metal cables with hooks on the ends. These hooks go around parts of the frame or suspension and the cables lift that end of the car off the ground. Your car's suspension and body can be seriously damaged if this method of towing is attempted.

If your Honda cannot be transported by flat-bed, it should be towed with the front wheels off the ground. If due to damage, your car must be towed with the front wheels on the ground, do the following:

- Release the parking brake.
- Start the engine.
- Shift to D₄, then to N.
- Turn off the engine.

NOTICE

Improper towing preparation will damage the transmission. Follow the above procedure exactly. If you cannot shift the transmission or start the engine, your car must be transported on a flat-bed.

- It is best to tow the car no farther than 80 km (50 miles), and keep the speed below 35 mph (55 km/h).

NOTICE

Trying to lift or tow your car by the bumpers will cause serious damage. The bumpers are not designed to support the car's weight.

The diagrams in this section give you the dimensions and capacities of your Honda, and the locations of the identification numbers. The explanations of several electronic and mechanical systems on your Honda are for the more technically-oriented owner.

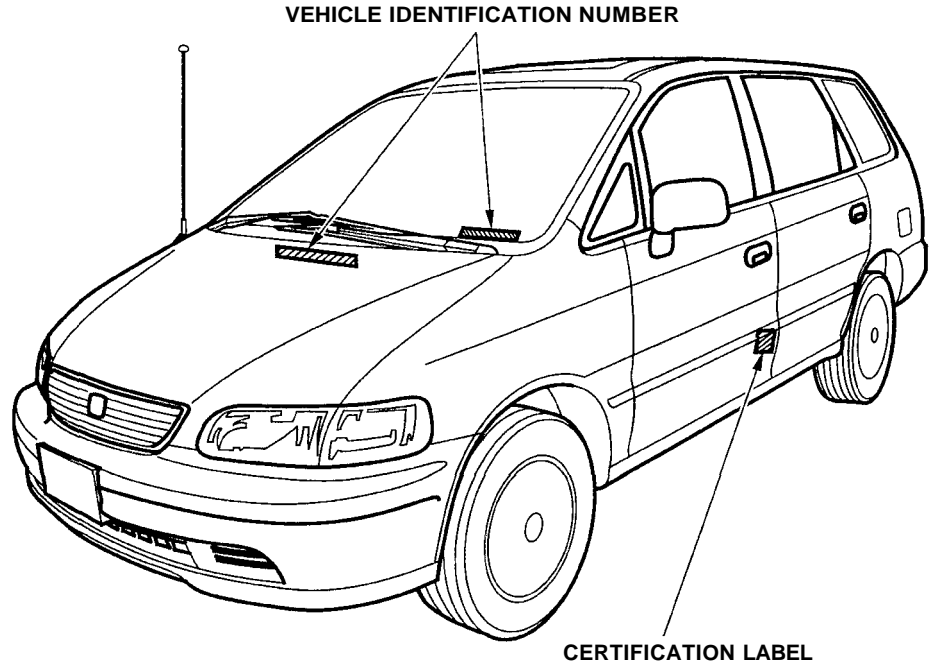
Identification Numbers.....	216
Specifications.....	218
Anti-lock Brake System.....	220
Tire Information.....	221
Tire Size Designation.....	221
Wheel Size Designation.....	221
Tire Speed Ratings.....	221
Tire Pressure Adjustment	
For High Speed Driving.....	222
DOT Tire Quality Grading.....	222
Treadwear.....	222
Traction.....	223
Temperature.....	223

Emission Controls.....	224
The Clean Air Act.....	224
Crankcase Emission Control	
System.....	224
Evaporative Emission Control	
System.....	224
Exhaust Emission Controls.....	225
PGM-FI System.....	225
Ignition Timing Control	
System.....	225
Exhaust Gas Recirculation	
(EGR) System.....	225
Three Way Catalytic	
Converter.....	225
Replacement Parts.....	225
Three Way Catalytic Converter...	226

Identification Numbers

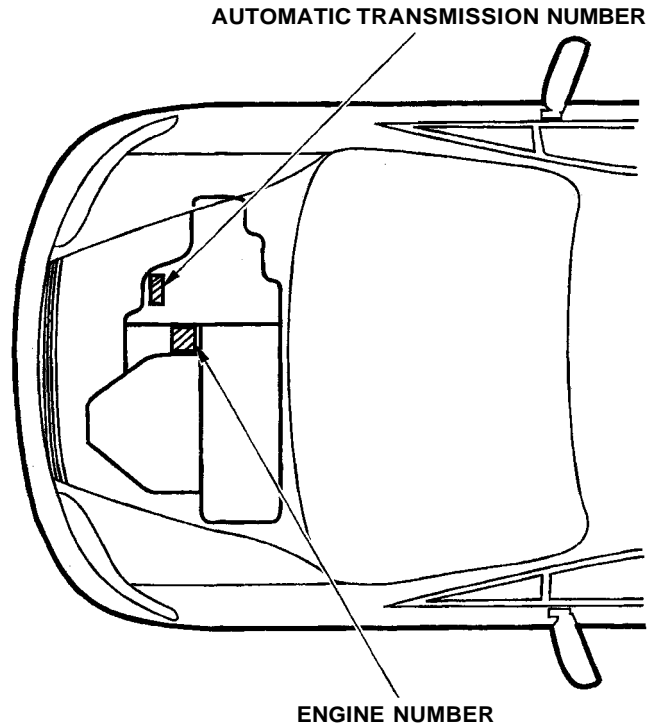
Your car has several identifying numbers located in various places.

The Vehicle Identification Number (VIN) is the 17-digit number your Honda dealer uses to register your car for warranty purposes. It is also necessary for licensing and insuring your car. The easiest place to find the VIN is on a plate fastened to the top of the dashboard. You can see it by looking through the windshield on the driver's side. It is also on the Certification label attached to the driver's doorjamb, and is stamped on the engine compartment bulkhead. The VIN is also provided in bar code on the Certification label.



The Engine Number is stamped into the engine block. It is on the front.

The Transmission Number is on a label on top of the transmission.



Specifications

Dimensions

Length	4,755 mm (187.2 in)	
Width	1,792 mm (70.6 in)	
Height	1,642 mm (64.6 in)	
Wheelbase	2,830 mm (111.4 in)	
Track	Front	1,524 mm (60.0 in)
	Rear	1,545 mm (60.8 in)

Weights

Gross vehicle weight rating	See the certification label attached to the driver's doorjamb.
-----------------------------	--

Air Conditioning

Refrigerant type	HFC-134a (R-134a)
Charge quantity	600–650 g (21–23 oz)* ¹ 800–850 g (28–30 oz)* ²
Lubricant type	ND-OIL8

* 1 : For front A/C only

* 2 : For front and rear A/C

Capacities

Fuel tank		Approx. 65 ℓ (17.2 US gal , 14.3 Imp gal)
Engine coolant	Change* ¹	6.3 ℓ (1.66 US gal , 1.39 Imp gal)
	Total	7.8 ℓ (2.06 US gal , 1.72 Imp gal)
Engine oil	Change* ²	
	Including filter	3.8 ℓ (4.0 US qt , 3.3 Imp qt)
	Without filter	3.5 ℓ (3.7 US qt , 3.1 Imp qt)
	Total	4.9 ℓ (5.2 US qt , 4.3 Imp qt)
Automatic transmission fluid	Change	2.4 ℓ (2.5 US qt , 2.1 Imp qt)
	Total	6.0 ℓ (6.3 US qt , 5.3 Imp qt)
Windshield washer reservoir	US Cars	2.5 ℓ (2.6 US qt , 2.2 Imp qt)
	Canada Cars	4.5 ℓ (4.8 US qt , 4.0 Imp qt)

* 1 : Including the coolant in the reserve tank and that remaining in the engine.

Reserve tank capacity:

0.6 ℓ (0.16 US gal , 0.13 Imp gal)

* 2 : Excluding the oil remaining in the engine.

Lights

Headlights High/Low	12 V — 60/55 W (HB2)
Front sidemarker/parking/turn signal lights	12 V — 32/2 CP
Rear turn signal lights	12 V — 21 W
Stop/Taillights (and Rear side marker lights)	12 V — 21/5 W
Back-up lights	12 V — 21 W
License plate lights	12 V — 5 W
Ceiling light	12 V — 5 W
Tailgate lights	12 V — 5 W
Door courtesy lights	12 V — 3.4 W
Vanity mirror light	12 V — 1.8 W
Stop Lights	12 V — 5 W

NOTE:

Replacement of the high-mount brake light should be done by your dealer.

Battery

Capacity	12 V — 55 AH/5 HR
----------	-------------------

Fuses

Interior	See page 212 or the fuse label attached to the inside of the fuse box door under the dashboard.
Under-hood	See page 211 or the fuse box cover.

Engine

Type	Water cooled 4-stroke SOHC, 4-cylinder, gasoline engine
Bore x Stroke	85.0 x 95.0 mm (3.35 x 3.74 in)
Displacement	2,156 cm ³ (132 cu-in)
Compression ratio	8.8 : 1
Spark plugs	See spark plug maintenance section page 161.

Alignment

Toe-in	Front	0.0 mm (0.00 in)
	Rear	0.0 mm (0.00 in)
Camber	Front	0°
	Rear	-0°30'
Caster	Front	2°55'

Tires

Size	Front/Rear	P205/65R15 92S
	Spare	T135/90D15
Pressure	Front/Rear	220 kPa (2.2 kgf/cm ² , 32 psi)
	Spare	420 kPa (4.2 kgf/cm ² , 60 psi)

Anti-lock Brake System

The Anti-lock Brake System (ABS) is standard equipment on all U.S. models and the Canadian six-passenger model. It is optional on the Canadian seven-passenger model.

The ABS works by measuring how fast the wheels are turning during braking and comparing their speeds. If any wheel is rotating much slower than the others (on the verge of locking up and skidding), the system reduces hydraulic pressure to that wheel's brake caliper. When that wheel's speed matches the other wheels, the system applies normal hydraulic pressure. This can take place several times per second at each wheel. You feel the ABS working as rapid pulsations in the brake pedal.

Each wheel has a wheel speed sensor assembly. As the wheel rotates, the sensor sends electrical pulses to the ABS control unit. The pulse frequency varies with the wheel speed.

The electrical output of the ABS control unit is connected to the modulator/solenoid unit. During braking, the ABS control unit monitors the pulse frequencies from the four wheels. When the control unit detects a wheel locking up, it energizes the appropriate solenoid in the modulator/solenoid unit. There are six solenoids: two for each front wheel, and two for the rear wheels. The energized solenoid reduces hydraulic pressure to one side of a modulator valve. This, in turn, reduces hydraulic pressure in the brake line going to the affected wheel. When that wheel speeds up because of the reduced braking effort, the control unit de-energizes

the solenoid. This builds hydraulic pressure on the modulator valve. The pressure increases in the hydraulic line to the wheel.

For the system to react quickly, the modulator/solenoid unit must have brake fluid under high pressure. This is supplied by a piston-type accumulator that is pressurized by an electric pump. A pressure-sensing switch on the accumulator controls this pump.

The control unit also contains error detection circuitry. It monitors the operation of the wheel sensors, solenoids, pump, and electronics. If the control unit detects any faults, it shuts off power to the pump motor and solenoids, disabling the ABS. The indicator on the instrument panel comes on. The brakes then work like a conventional system without anti-lock capabilities.

Tire Size Designation

A tire's sidewall is marked with a tire size designation. You will need this information when selecting replacement tires for your car. The following explains what the letters and numbers in the tire size designation mean.

(Example tire size designation)
P205/65R15 92S

P — Applicable vehicle type (tires marked with the prefix "P" are intended for use on passenger cars; however, not all tires have this marking).

205 — Tire width in millimeters.

65 — Aspect ratio. The tire's section height as a percentage of its width.

R — Tire construction code (Radial).

15 — Rim diameter in inches.

92 — Load Index, a numerical code associated with the maximum load the tire can carry.

S — Speed Rating Symbol. See the speed rating chart in this section for additional information.

Wheel Size Designation

Wheels are also marked with important information that you need if you ever have to replace one. The following explains what the letters and numbers in the wheel size designation mean.

(Example wheel size designation)
15 x 6 JJ

15 — Rim diameter in inches.

6 — Rim width in inches.

JJ — Rim contour designation.

Tire Speed Ratings

The chart below shows many of the different speed ratings currently being used for passenger car tires. The speed rating symbol is part of the tire size designation on the sidewall of the tire. This symbol corresponds to that tire's designed maximum safe operating speed.

Speed Rating Symbol	Maximum Speed
S	112 mph (180 km/h)
T	118 mph (190 km/h)
H	130 mph (210 km/h)
V	149 mph (240 km/h)
Z	Above 149 mph (240 km/h)

Tire Pressure Adjustment For High Speed Driving

Honda strongly recommends that you not drive faster than posted speed limits and conditions allow. If you decide it is safe to drive at high speeds, be sure to adjust the cold tire pressures as shown below. If you do not adjust the tire pressure, excessive heat can build up and cause sudden tire failure.

Tire Size	Cold Tire Pressure for Speeds over 100 mph (160 km/h)
P205/65R15 92S	240 kPa (2.4 kgf/cm ² , 35 psi)

Be sure to readjust the pressure for normal driving speeds. You should wait until the tires are cold before adjusting the tire pressure (see page 170).

DOT Tire Quality Grading (U.S. Cars)

The tires on your car meet all U.S. Federal Safety Requirements. All tires are also graded for treadwear, traction, and temperature performance according to Department of Transportation (DOT) standards. The following explains these gradings.

Treadwear

The treadwear grade is a comparative rating based on the wear rate of the tire when tested under controlled conditions on a specified government test course. For example, a tire graded 150 would wear one and one half (1-1/2) times as well on the government course as a tire graded 100. The relative performance of tires depends upon the actual conditions of their use, however, and may depart significantly from the norm due to variations in driving habits, service practices and differences in road characteristics and climate.

Traction

The traction grades, from highest to lowest, are A, B, and C, and they represent the tire's ability to stop on wet pavement as measured under controlled conditions on specified government test surfaces of asphalt and concrete. A tire marked C may have poor traction performance.

Warning: The traction grade assigned to this tire is based on braking (straight ahead) traction tests and does not include cornering (turning) traction.

Temperature

The temperature grades are A (the highest), B, and C, representing the tire's resistance to the generation of heat and its ability to dissipate heat when tested under controlled conditions on a specified indoor laboratory test wheel. Sustained high temperature can cause the material of the tire to degenerate and reduce tire life, and excessive temperature can lead to sudden tire failure. The grade C corresponds to a level of performance which all passenger car tires must meet under the Federal Motor Vehicle Safety Standard No. 109. Grades B and A represent higher levels of performance on the laboratory test wheel than the minimum required by law.

Warning: The temperature grade for this tire is established for a tire that is properly inflated and not overloaded. Excessive speed, underinflation, or excessive loading either separately or in combination, can cause heat build-up and possible tire failure.

The burning of gasoline in your car's engine produces several byproducts. Some of these are carbon monoxide (CO), oxides of nitrogen (NOx) and hydrocarbons (HC). Gasoline evaporating from the tank also produces hydrocarbons. Controlling the production of NOx, CO, and HC is important to the environment. Under certain conditions of sunlight and climate, NOx and HC react to form photochemical "smog." Carbon monoxide does not contribute to smog creation, but it is a poisonous gas.

The Clean Air Act

The United States Clean Air Act* sets standards for automobile emissions. It also requires that automobile manufacturers explain to owners how their emission controls work and what to do to maintain them. This section summarizes how the emission controls work. Scheduled maintenance is on page [140](#).

* In Canada, Honda vehicles comply with the Canadian Motor Vehicle Safety Standards (CMVSS) for Emissions valid at the time they are manufactured.

Crankcase Emission Control System

Your car has a Positive Crankcase Ventilation System. This keeps gasses that build up in the engine's crankcase from going into the atmosphere. The Positive Crankcase Ventilation valve routes them from the crankcase back to the intake manifold. They are then drawn into the engine and burned.

Evaporative Emission Control System

As gasoline evaporates in the fuel tank, an evaporative emission control canister filled with charcoal adsorbs the vapor. It is stored in this canister while the engine is off. After the engine is started and warmed up, the vapor is drawn into the engine and burned during driving.

Exhaust Emission Controls

The exhaust emission controls include four systems: PGM-FI, Ignition Timing Control, Exhaust Gas Recirculation and Three Way Catalytic Converter. These four systems work together to control the engine's combustion and minimize the amount of HC, CO, and NOx that comes out the tailpipe. The exhaust emission control systems are separate from the crankcase and evaporative emission control systems.

PGM-FI System

The PGM-FI System uses sequential multiport fuel injection. It has three subsystems: Air Intake, Engine Control, and Fuel Control. The Powertrain Control Module (PCM) uses various sensors to determine how much air is going into the engine. It then controls how much fuel to inject under all operating conditions.

Ignition Timing Control System

This system constantly adjusts the ignition timing, reducing the amount of HC, CO and NOx produced.

Exhaust Gas Recirculation (EGR) System

The Exhaust Gas Recirculation (EGR) system takes some of the exhaust gas and routes it back into the intake manifold. Adding exhaust gas to the air/fuel mixture reduces the amount of NOx produced when the fuel is burned.

Three Way Catalytic Converter

The three way catalytic converter is in the exhaust system. Through chemical reactions, it converts HC, CO, and NOx in the engine's exhaust to carbon dioxide (CO₂), dinitrogen (N₂), and water vapor.

Replacement Parts

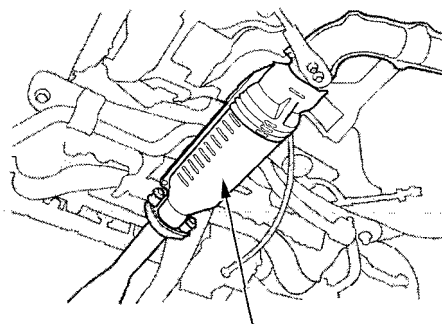
The emission control systems are designed and certified to work together in reducing emissions to levels that comply with the Clean Air Act. To make sure the emissions remain low, you should use only new genuine Honda replacement parts or their equivalent for repairs. Using lower quality parts may increase the emissions from your car.

The emissions control systems are covered by warranties separate from the rest of your car. Read your warranty manual for more information.

Three Way Catalytic Converter

The three way catalytic converter contains precious metals that serve as catalysts, promoting chemical reactions to convert the exhaust gasses without affecting the metals. The catalytic converter is referred to as a three-way catalyst, since it acts on HC, CO, and NOx. A replacement unit must be an original Honda part or its equivalent.

The three way catalytic converter must operate at a high temperature for the chemical reactions to take place. It can set on fire any combustible materials that come near it. Park your car away from high grass, dry leaves, or other flammables.



THREE WAY CATALYTIC CONVERTER

A defective three way catalytic converter contributes to air pollution, and can impair your engine's performance. Follow these guidelines to protect your car's three way catalytic converter.

- Always use unleaded gasoline. Even a small amount of leaded gasoline can contaminate the catalyst metals, making the three way catalytic converter ineffective.

- Keep the engine tuned-up.
- Have your car diagnosed and repaired if it is misfiring, back-firing, stalling, or otherwise not running properly.

Warranty Coverages.....	228
Customer Relations Information.....	229
U.S. Zone Office Map.....	230
Canada Zone Office Map.....	231
Reporting Safety Defects (U.S. Cars).....	232
Authorized Manuals.....	233

U.S. Owners

Your new Honda is covered by these warranties:

New Car Limited Warranty — covers your new car, except for the battery, emissions control systems and accessories, against defects in materials and workmanship.

Emissions Control Systems Defects Warranty and Emissions

Performance Warranty — these two warranties cover your car's emissions control systems. Time, mileage, and coverage are conditional. Please read the warranty manual for exact information.

Original Equipment Battery Limited Warranty — this warranty gives up to 100% credit toward a replacement battery.

Seat Belt Limited Warranty — a seat belt that fails to function properly is covered for the useful life of the car.

Rust Perforation Limited Warranty — all exterior body panels are covered for rust-through from the inside for the specified time period with no mileage limit.

Accessory Limited Warranty — Genuine Honda Accessories are covered under this warranty. Time and mileage limits depend on the type of accessory and other factors. Please read your warranty manual for details.

Replacement Parts Limited Warranty — covers all Genuine Honda replacement parts against defects in materials and workmanship.

Replacement Battery Limited Warranty — provides prorated coverage for a replacement battery purchased from a Honda dealer.

Replacement Muffler Lifetime Limited Warranty — provides coverage for as long as the purchaser of the muffler owns the car.

Restrictions and exclusions apply to all these warranties. Please read the 1996 Honda Warranties booklet that came with your car for precise information on warranty coverages. Your Honda's original tires are covered by their manufacturer. Tire warranty information is in a separate booklet.

Canadian Owners

Please refer to the 1996 Warranty and Maintenance Guide that came with your car.

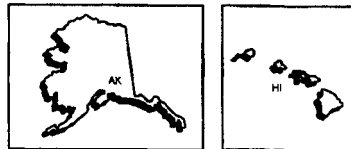
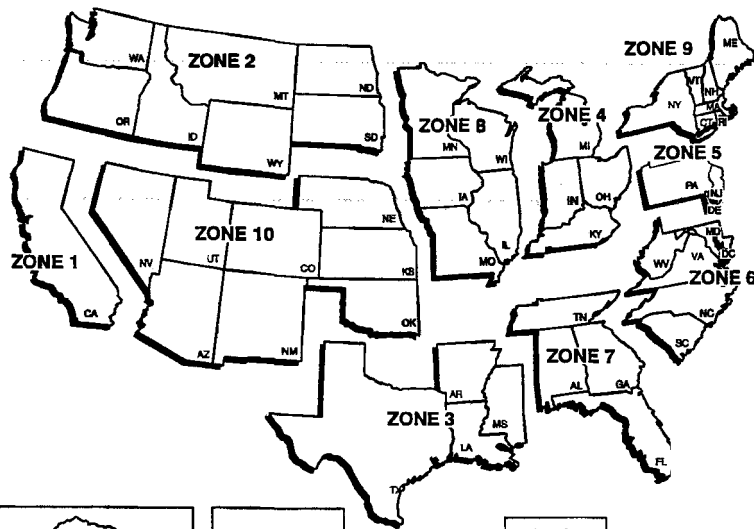
Honda dealership personnel are trained professionals. They should be able to answer all your questions. If you encounter a problem that your dealership does not solve to your satisfaction, please discuss it with the dealership's management. The Service Manager or General Manager can help. Almost all problems are solved in this way.

If you are dissatisfied with the decision made by the dealership's management, contact your Honda Customer Relations Zone Office. Refer to the U.S. and Canadian Zone Office maps on the following pages.

When you call or write, please give us this information:

- Vehicle Identification Number (see page 216)
- Name and address of the dealer who services your car
- Date of purchase
- Mileage on your car
- Your name, address, and telephone number
- A detailed description of the problem
- Name of the dealer who sold the car to you

U.S. Zone Office Map



ZONE 2

1 Western Zone
P.O. Box 2260
700 Van Ness Avenue
Torrance, California
90501-2260
(310) 781-4565

2 Northwestern Zone
P.O. Box 20186
12439 N.E. Airport Way
Portland, Oregon 97220
(503) 256-0943
(also includes
Alaska and Hawaii)

3 South Central Zone
4529 Royal Lane
Irving, Texas 75063
(972) 929-5481

4 Central Zone
101 South Stanfield Road
Troy, Ohio 45373
(937) 332-6250

5 Northeastern Zone
P.O. Box 337
Eastgate Industrial Park
115 Gaither Drive
Moorestown, New Jersey 08057
(609) 235-5533
**Includes: NYC Metro area and
Fairfield County, CT area**

6 Mid-Atlantic Zone
902 Wind River Ln., Suite 200
Gaithersburg, Maryland 20878
(301) 990-2020

7 Southeastern Zone
1500 Morrison Parkway
Alpharetta, Georgia 30004
(770) 442-2045

8 North Central Zone
601 Campus Drive, Suite A-9
Arlington Heights, Illinois 60004
(847) 870-5600

9 New England Zone
555 Old County Road
Windsor Locks, Connecticut 06096
(860) 623-3310

**See Zone 5 for: NYC Metro area
and Fairfield County, CT area**

10 West Central Zone
1600 South Abilene Street, Suite D
Aurora, Colorado 80012
(303) 696-3935

15 Puerto Rico and U.S. V.I.
Bella International
P.O. Box 190816
San Juan, PR 00919-0816
(787) 250-4318

The above addresses and telephone numbers are subject to change. If you cannot reach your Zone office, ask your Honda dealer for the current information.



Western Zone

Honda Canada Inc.
13240 Worster Court
Richmond, B.C.
V6V 2B8
(604) 278-7121

Quebec Zone

Honda Canada Inc.
1750 rue Eiffel
Boucherville, Quebec
J4B 7W1
(450) 655-6161

Central Zone

Honda Canada Inc.
715 Milner Avenue
Scarborough, Ontario
M1B 2KB
(416) 299-3400

Atlantic Zone

Honda Canada Inc.
51 Raddall Ave. Unit 1
Dartmouth, N.S.
B3B 1T6
(902) 468-4416

Reporting Safety Defects (U.S. Cars)

If you believe that your vehicle has a defect which could cause a crash or could cause injury or death, you should immediately inform the National Highway Traffic Safety Administration (NHTSA) in addition to notifying American Honda Motor Co., Inc.

If NHTSA receives similar complaints, it may open an investigation, and if it finds that a safety defect exists in a group of vehicles, it may order a recall and remedy campaign. However, NHTSA cannot become involved in individual problems between you, your dealer, or American Honda Motor Co., Inc.

To contact NHTSA, you may either call the Auto Safety Hotline toll-free at 1-800-424-9393 (or 366-0123 in Washington D.C. area) or write to: NHTSA, U.S. Department of Transportation, Washington, D.C. 20590. You can also obtain other information about motor vehicle safety from the Hotline.

Purchasing Factory Authorized Manuals (U.S. only)

The following publications covering the operation and servicing of your vehicle can be obtained from Helm Incorporated, either by filling out the attached form or, for credit card holders, calling the toll-free phone number on the form. For manuals prior to the year shown below, contact Helm Incorporated, P.O. Box 07280, Detroit, Michigan 48207, or call 1-800-782-4356.

Publication Form Number	Form Description	Price Each*
61SX001	1996 Honda Odyssey Service Manual	\$58.00
61SX001EL	1996 Honda Odyssey Electrical Troubleshooting Manual	\$34.00
61SX030	1995 - 1996 Honda Odyssey Body Repair Manual	\$32.00
31SX0610	1996 Honda Odyssey Owner's Manual	\$22.00
HON-R	Order Form for Previous Years- Indicate Year and Model Desired	FREE
* Prices are subject to change without notice and without incurring obligation.		

Valid only for sales within the U.S. Canadian owners should contact their authorized Honda dealer.

ORDER TOLL FREE: 1-800-782-4356

(NOTE: For Credit Card Holder Orders Only)

Monday-Friday 8:00 A.M. - 6:00 P.M. EST

MINIMUM CREDIT CARD PURCHASE \$10.00

OR

By completing this form you can order the materials desired. You can pay by check or money order, or charge to your credit card. Mail to Helm Incorporated at the address shown on the back of the order form.

1 9 9 6 H O N	PUBLICATION NUMBER	VEHICLE MODEL		Qty	Price Each*	Total Price
		Name	Year			
* Prices are subject to change without notice and without incurring obligation.					TOTAL MATERIAL	
					Mich. Purchases Add 6% Sales Tax	
Orders are mailed within 10 days. Please allow adequate time for delivery.					HANDLING CHARGE \$4.00	
					GRAND TOTAL	

S H I P T O	<small>NOTE: Dealers and Companies please provide dealer or company name, and also the name of the person to whose attention the shipment should be sent. For purchases outside U S A please write to the address shown below for a quotation</small>	
	Customer Name _____	Attention _____
	Street Address - No P.O. Box Number _____	Apartment Number _____
	City _____	State & Zip Code _____
	Daytime Telephone Number () _____	

P A Y M E N T	<input type="checkbox"/> Check or money order enclosed payable to Helm Inc. U.S. funds only <small>Do not send cash</small>					
	<input type="checkbox"/> Master Card <input type="checkbox"/> VISA <input type="checkbox"/> Check here if your billing address is different from the shipping address shown above					
	Account Number _____ Expiration Mo. Yr. _____					
	<table border="1" style="width: 100%;"><tr><td style="width: 25%; height: 20px;"> </td><td style="width: 25%; height: 20px;"> </td><td style="width: 25%; height: 20px;"> </td><td style="width: 25%; height: 20px;"> </td><td style="width: 25%; height: 20px;"> </td></tr></table>					
CUSTOMER SIGNATURE _____ DATE _____						

These Publications cannot be returned for credit without receiving advance authorization within 14 days of delivery. On returns, a restocking fee may be applied against the original order.

HELM P.O. BOX 07280 • DETROIT MICHIGAN 48207 • 1-800-782-4356

Service Manual:

This manual covers maintenance and recommended procedures for repair to engine and chassis components. It is written for the Journeyman mechanic, but is simple enough for most mechanically-inclined owners to understand.

Electrical Troubleshooting Manual:

This manual complements the Service Manual by providing in-depth troubleshooting information for each electrical circuit in your car.

Body Repair Manual:

This manual describes the procedures involved in the replacement of damaged body parts.

A

Accessories
 Installation..... 115
 ACCESSORY (Ignition Key
 Position)..... 50
 Adding
 Automatic Transmission
 Fluid..... 155
 Brake Fluid..... 156
 Engine Coolant..... 151
 Engine Oil..... 146
 Power Steering Fluid..... 157
 Windshield Washer Fluid..... 154
 Additional Safety Information..... 18
 Door Locks..... 19
 Driving with Pets..... 19
 Head Restraint Position..... 18
 Seat-back Position..... 18
 Storing Cargo Safely..... 19
 Additives, Engine Oil..... 148
 Adjustments
 Mirrors..... 64
 Head Restraints..... 56
 Seats..... 54
 Steering Wheel..... 44

Airbag (SRS)..... 12
 Air Cleaner..... 158
 Air Conditioning..... 74
 Maintenance..... 168
 Usage..... 74
 Air Outlets (Vents)..... 76
 Air Pressure, Tires..... 170
 Alcohol and Drugs..... 28
 Alcohol in Gasoline..... 108
 Antifreeze..... 150
 Anti-lock Brakes (ABS)
 Description..... 220
 Indicator Light..... 35, 125
 Operation..... 125
 Anti-theft Steering Column Lock.. 49
 Appearance Care..... 183
 Ashtray..... 69
 Audio System..... 83
 Automatic Speed Control..... 48
 Automatic Transmission..... 120
 Capacity, Fluid..... 218
 Checking Fluid Level..... 155
 Shifting..... 120
 Shift Lever Positions..... 120
 Shift Lock Release..... 123

B

Battery
 Charging System Light..... 34
 Jump Starting..... 200
 Maintenance..... 162
 Specifications..... 219
 Before Driving..... 107
 Belts, Seat..... 5
 Beverage Holder..... 66
 Body Repair..... 189
 Brakes
 Anti-lock System (ABS)..... 125
 Break-in, New Linings 108
 Fluid..... 156
 Light, Burned-out..... 179
 Parking..... 65
 System Indicator..... 34
 Wear Indicators..... 124
 Brakes, ABS
 Description..... 220
 Operation..... 125
 System Indicator..... 35, 125
 Braking System..... 124

CONTINUED

Index

Break-in, New Car.....	108
Brightness Control, Instruments...	41
Brights, Headlights.....	40
Bulb Replacement	
Back-up Lights.....	179
Brake Lights.....	179
Ceiling Light.....	181
Front Parking Lights.....	178
Front Side Marker Lights.....	178
Headlights.....	177
License Plate Lights.....	180
Specifications.....	219
Turn Signal Lights.....	178
Bulbs, Halogen.....	177

C

Cables, Jump Starting With.....	200
Capacities Chart.....	218
Carbon Monoxide Hazard.....	29
Cargo, Loading.....	116
Cassette Player	
Care.....	101
Operation.....	87, 99
CAUTION, Explanation of.....	ii
CD Player.....	90, 102

Center Pocket.....	68
Certification Label.....	216
Chains.....	174
Change Oil	
How to.....	148
When to.....	140
Changing a Flat Tire.....	193
Changing Engine Coolant.....	152
Charging System Indicator....	34, 205
Checking	
Automatic Transmission	
Fluid.....	155
Battery Condition.....	162
Brake Fluid.....	156
Drive Belts.....	169
Engine Coolant.....	150
Engine Oil.....	146
Fuses.....	209
Power Steering Fluid.....	157
Checklist, Before Driving.....	118
Child Safety.....	20
Childproof Door Locks.....	52
Cigarette Lighter.....	69
Cleaner, Air.....	158
Cleaning	
Aluminum Wheels.....	185

Carpeting.....	186
Exterior.....	184
Fabric.....	186
Interior.....	186
Seat Belts.....	187
Vinyl.....	186
Window.....	187
CLEAN Light.....	101
Clock, Setting the	66
CO in the Exhaust.....	224
Cold Weather, Starting in.....	119
Compact Spare.....	192
Consumer Information*.....	227
Controls, Instruments and.....	33
Coolant	
Adding.....	151
Checking.....	150
Proper Solution.....	150
Temperature Gauge.....	38
Corrosion Protection.....	188
Crankcase Emission Control	
System.....	224
Cruise Control Operation.....	46
Customer Relations Office.....	229

D

DANGER, Explanation of.....	ii
Dashboard.....	32
Dashboard Compartment.....	68
Daytime Running Lights.....	40
Dead Battery, What to Do.....	200
Defects, Reporting Safety.....	232
Defogger, Rear Window.....	43
Defrosting the Windows.....	79
DEXRON® II Automatic Transmission Fluid.....	155
Dimensions.....	218
Dimming the Headlights.....	40
Dipstick Automatic Transmission.....	155
Engine Oil.....	146
Directional Signals.....	43
Disabled, Towing Your Car If....	213
Disc Brake Wear Indicators.....	124
Disposal of Used Oil.....	150
Doors Locking and Unlocking.....	50
Power Door Locks.....	50
DOT Tire Quality Grading.....	222
Drive Belts.....	169

Driving.....	117
Economy.....	114
In Bad Weather.....	126
In Foreign Countries.....	109

E

Economy, Fuel.....	114
Emergencies on the Road.....	191
Battery, Jump Starting.....	200
Changing a Flat Tire.....	193
Charging System Indicator.....	205
Checking the Fuses.....	209
Low Oil Pressure Indicator.....	204
Malfunction Indicator Lamp....	206
Manually Closing Sunroof.....	207
Overheated Engine.....	202
Emergency Brake.....	65
Emergency Flashers.....	43
Emission Controls.....	224
Engine Belts.....	169
Coolant Temperature Gauge....	38
Malfunction Indicator Lamp.....	34, 206
Oil Pressure Indicator.....	34, 204

Oil, What Kind to Use.....	147
Overheating.....	202
Specifications.....	219
Ethanol in Gasoline	109
Evaporative Emission Controls....	224
Exhaust Fumes.....	29
Expectant Mothers, Use of Seat Belts by.....	10
Exterior, Cleaning the.....	184

F

Fabric, Cleaning.....	186
Fan, Interior.....	74
Features, Comfort and Convenience.....	73
Filling the Fuel Tank.....	110
Filter Air.....	158
Oil.....	148
First Gear Position.....	122
Flashers, Hazard Warning.....	43
Flat Tire, Changing a.....	193

CONTINUED

Fluids	
Automatic Transmission.....	155
Brake.....	156
Power Steering.....	157
Windshield Washer.....	154
FM Stereo Radio	
Reception.....	97
Folding the Second Seats	58
Folding the Third Seats.....	60
Foreign Countries, Driving in.....	109
Four-way Flashers.....	43
Front End, Towing by Emergency	
Wrecker.....	213
Fuel.....	108
Fill Door and Cap.....	110
Gauge.....	38
Octane Requirement.....	108
Oxygenated.....	108
Tank, Filling the.....	110
Fuses, Checking the.....	209

G

Gas Mileage, Improving.....	114
Gasohol.....	108
Gasoline.....	108

Gauge.....	38
Octane Requirement.....	108
Tank, Filling the.....	110
Gas Station Procedures.....	110
Gauges	
Engine Coolant Temperature	38
Fuel.....	38
Gearshift Lever Positions.....	120
Glass Cleaning.....	187
Glove Box.....	53

H

Halogen Headlight Bulbs.....	177
Hazard Warning Flashers.....	43
Headlights.....	40
Aiming.....	175
Daytime Running Lights.....	40
High Beam Indicator.....	36
High Beams, Turning on.....	40
Low Beams, Turning on.....	40
Reminder Chime.....	40
Replacing Halogen Bulbs	177
Turning on.....	40
Head Restraints.....	56
Heating and Cooling.....	74

High Altitude, Starting at.....	119
High-Low Beam Switch.....	40
Hood, Opening the	111
Horn.....	39
Hot Coolant, Warning about.....	151
Hydroplaning.....	127

I

Identification Number, Vehicle..	216
If Your Car Has to be Towed.....	213
Ignition	
Keys.....	49
Switch.....	49
Timing Control System.....	225
Indicator Lights, Instrument	
Panel.....	33
Infant Restraint.....	22
Inflation, Proper Tire	170
Inside Mirror.....	64
Inspection, Tire.....	171
Instrument Panel.....	33
Instrument Panel Brightness.....	41
Interior Cleaning.....	186
Interior Lights.....	70
Introduction.....	i

J

Jacking up the Car.....	195
Jack, Tire.....	193
Jump Starting.....	200

K

Keys.....	49
-----------	----

L

Label, Certification.....	216
Lane Change, Signaling.....	41
Lap Belt.....	7
Lap/Shoulder Belts.....	6
Leaking of Exhaust into Car.....	29
Lighter, Cigarette.....	69
Lights	
Headlight Aiming.....	175
Bulb Replacement.....	177
Indicator.....	33
Parking.....	40
Turn Signal.....	41
Loading Cargo.....	116
LOCK (Ignition Key Position).....	50

Locks

Anti-theft Steering Column.....	49
Fuel Fill Door.....	110
Glove Box.....	53
Power Door.....	50
Tailgate.....	52
Low Coolant Level.....	150
Low Oil Pressure Indicator....	34, 204
Lubricant Specifications Chart...	218
Luggage.....	116

M

Maintenance.....	135
Periodic Items.....	144
Record.....	142-143
Required Indicator.....	38
Safety.....	136
Schedule.....	138-141
Malfunction Indicator Lamp..	34, 206
Maximum Speeds.....	123
Meters, Gauges.....	37
Methanol in Gasoline.....	109
Mirrors, Adjusting.....	64

N

Neutral Gear Position.....	122
New Vehicle Break-in	108
NOTICE, Explanation of.....	ii
Numbers, Identification.....	216

O

Occupant Protection System.....	4
Octane Requirement, Gasoline....	108
Odometer.....	37
Odometer, Trip.....	37
Oil	
Change, How to.....	148
Change, When to.....	140
Checking Engine.....	146
Pressure Indicator.....	34
Selecting Proper Viscosity Chart.....	148
ON (Ignition Key Position).....	50
Opening the Hood.....	111
Operation in Foreign Countries..	109

CONTINUED

Outside Mirrors.....	64
Overheating, Engine.....	202

P

Panel Brightness Control.....	41
Park Gear Position.....	121
Parking Brake.....	65
Parking Lights.....	40
Parking Over Things that Burn...	226
PGM-FI System.....	225
Polishing and Waxing.....	184
Power	
Door Locks.....	50
Mirrors.....	64
Steering.....	157
Windows.....	62
Pregnancy, Using Seat Belts.....	10
Proper Seat Belt Usage.....	7

R

Radiator Overheating.....	202
Radio/Cassette Sound System.....	83
Rear A/C Unit.....	82
Rear End Towing.....	213

Rear Lights, Bulb Replacement...	179
Rear View Mirror.....	64
Rear Window Defogger.....	43
Rear Window Wiper and Washer..	43
Reclining the Seat Backs.....	55
Reclining the Second Seats.....	59
Reminder Lights.....	33
Remote Transmitter.....	51
Removing the Second Seats.....	57
Replacement Information	
Air Cleaner.....	158
Coolant.....	152
Engine Oil and Filter.....	148
Fuses.....	209
Light Bulbs.....	177
Schedule.....	138
Spark Plugs.....	160
Tires.....	172
Wiper Blades.....	165
Replacing Seat Belts After a	
Crash.....	11
Reserve Tank, Coolant.....	150
Restraint, Child.....	20
Reverse Gear Position.....	121
Rotation, Tire.....	172

S

Safety Belts.....	5
Safety Defects, Reporting*.....	232
Safety Labels, Location of.....	30
Safely Messages.....	ii
Seat Belts.....	5
Advice for Pregnant Women.....	10
Cleaning.....	187
Frayed or Torn.....	11
Maintenance.....	11
Reminder Light and Beeper.....	34
Replacement.....	11
System Components.....	6
Tether Attachment Points.....	26
Use During Pregnancy.....	10
Wearing a Lap/Shoulder Belt....	7
Wearing the Lap Belt.....	9
Seats.....	54
Adjustments.....	54
Driver's Seat Power	
Height Adjustment.....	55
Folding the Second Seats.....	58
Folding the Third Seats.....	60
Head Restraints.....	56
Passenger Seating.....	54

Seats	
Reclining the Second Seat.....	59
Removing the Second Seats.....	57
Third Seat Access.....	56
Serial Number.....	216
Service Intervals*.....	140
Service Manual.....	233
Service Station Procedures.....	110
Setting the Clock.....	66
Shifting the Automatic	
Transmission.....	120
Shift Lever Position Indicator.....	120
Side Marker Lights, Bulb	
Replacement in.....	178
Signaling Turns.....	41
Snow Tires.....	174
Solvent-type Cleaners.....	184
Sound System.....	83
Spare Tire	
Inflating.....	192
Specifications.....	219
Spark Plugs, Replacing.....	160
Specifications Charts.....	218
Speed Control.....	46
Speedometer.....	37
SRS Indicator.....	16, 34
START (Ignition Key Position).....	50
Starting the Engine.....	119
In Cold Weather at High	
Altitude.....	119
With a Dead Battery.....	200
Steam Coming from Engine.....	202
Steering Wheel	
Adjustment.....	44
Anti-theft Column Lock.....	49
Stereo Sound System.....	83
Storing Your Car.....	182
Sunroof.....	63
Closing Manually.....	207
Operation.....	63
Supplemental Restraint System	
Service Precautions.....	17
Servicing.....	16
SRS Indicator.....	16, 34
System	12
Synthetic Oil.....	148

T

Tailgate.....	52
Taillights, Changing Bulbs in.....	179
Taking Care of the Unexpected..	191
Tape Player.....	87, 99
Technical Descriptions	
Anti-lock Brake System.....	220
Emission Control Systems.....	224
Three Way Catalytic	
Converter.....	226
Tire Information.....	221
Temperature Gauge.....	38
Tether Attachment Points.....	26
Three Way Catalytic Converter...	226
Time, Setting the.....	66
Tire Chains.....	174
Tire, How to Change a Flat.....	193
Tires.....	169
Air Pressure.....	170
Checking Wear.....	171
Compact Spare.....	192
DOT Tire Quality Grading.....	222
Inflation.....	170

CONTINUED

Transmission	
Checking Fluid Level.....	155
Fluid Selection.....	155
Identification Number.....	216
Shifting the Automatic.....	120
Treadwear.....	222
Trip Meter.....	37
Turn Signals.....	41
Tires	
Inspection.....	171
Replacing.....	172
Rotating.....	172
Snow.....	174
Specifications.....	219
Tools, Tire Changing.....	193
Torn Seat Belts.....	11
Towing	
A Trailer.....	128
Emergency Wrecker.....	213
<hr/>	
U	
Underside, Cleaning.....	188
Unexpected, Taking Care of the.....	191
Uniform Tire Quality Grading.....	222

Unleaded Gasoline.....	108
Upholstery Cleaning.....	186
Used Oil, How to Dispose of.....	150

V

Vanity Mirror.....	68
Vehicle Capacity Load	116
Vehicle Dimensions.....	218
Vehicle Identification Number....	216
Vehicle Storage.....	182
Ventilation.....	76
VIN.....	216
Vinyl Cleaning.....	186
Viscosity, Oil.....	148

W

Warning Beepers	
Key in Ignition.....	50
Seat Belts.....	34
WARNING, Explanation of.....	ii
Warning Labels, Location of.....	30
Warranty Coverages*.....	228
Washer, Windshield	
Checking the Fluid Level.....	154

Operation.....	42
Washing.....	184
Waxing and Polishing.....	184
Wheels	
Adjusting the Steering.....	44
Alignment and Balance.....	171
Compact Spare.....	192
Wrench.....	195
Windows	
Cleaning.....	187
Operating the Power.....	62
Rear, Defogger.....	43
Windshield	
Cleaning.....	42
Defroster.....	79
Wipers, Windshield	
Changing Blades.....	165
Operation.....	42
Rear Windshield Wiper and Washer.....	43
Worn Tires.....	171
Wrecker, Emergency Towing....	213

* : U. S. and Canada only

Gas Station Information

Gasoline:

UNLEADED gasoline
Pump octane number of 86 or higher

Fuel Tank Capacity:

65 l (17.2 US gal, 14.3 Imp gal)

Recommended Engine Oil:

API SH grade
"Energy Conserving II" oil
SAE 5W-30 viscosity

Tire Pressure (measured cold):

Front/Rear:
220 kPa (2.2 kgf/cm², 32 psi)

Spare Tire Pressure:

420 kPa (4.2 kgf/cm², 60 psi)

Automatic Transmission Fluid:

Honda Premium Formula Automatic Transmission Fluid or an equivalent DEXRON® II type Automatic Transmission Fluid (ATF)