

# 2007 Honda Ridgeline Online Reference Owner's Manual

Use these links (and links throughout this manual) to navigate through this reference.  
For a printed owner's manual, click on authorized manuals or go to [www.helminc.com](http://www.helminc.com).

## Contents

---

### Owner's Identification Form

<b>Introduction</b> .....	<b>i</b>
<b>A Few Words About Safety</b> .....	<b>iii</b>
<b>Your Vehicle at a Glance</b> .....	<b>3</b>
<b>Driver and Passenger Safety</b> .....	<b>5</b>
Proper use and care of your vehicle's seat belts, and Supplemental Restraint System.	
<b>Instruments and Controls</b> .....	<b>57</b>
Instrument panel indicator and gauge, and how to use dashboard and steering column controls.	
<b>Comfort and Convenience Features</b> .....	<b>121</b>
How to operate the climate control system, the audio system, and other convenience features.	
<b>Before Driving</b> .....	<b>177</b>
What gasoline to use, how to break-in your new vehicle, and how to load luggage and other cargo.	
<b>Driving</b> .....	<b>193</b>
The proper way to start the engine, shift the transmission, and park, plus towing a trailer.	
<b>Maintenance</b> .....	<b>233</b>
The Maintenance Schedule shows you when you need to take your vehicle to the dealer.	
<b>Taking Care of the Unexpected</b> .....	<b>273</b>
This section covers several problems motorists sometimes experience, and how to handle them.	
<b>Technical Information</b> .....	<b>299</b>
ID numbers, dimensions, capacities, and technical information.	
<b>Warranty and Customer Relations (U.S. and Canada)</b> .....	<b>311</b>
A summary of the warranties covering your new Acura, and how to contact us.	
<b>Authorized Manuals (U.S. only)</b> .....	<b>315</b>
How to order manuals and other technical literature.	
<b>Index</b> .....	<b>I</b>

### Service Information Summary

A summary of information you need when you pull up to the fuel pump.

### Navigation System

Congratulations! Your selection of a 2007 Honda Ridgeline was a wise investment. It will give you years of driving pleasure.

One of the best ways to enhance the enjoyment of your new vehicle is to read this manual. In it, you will learn how to operate its driving controls and convenience items. Afterwards, keep this owner's manual in your vehicle so you can refer to it at any time.

Several warranties protect your new vehicle. Read the warranty booklet thoroughly so you understand the coverages and are aware of your rights and responsibilities.

Maintaining your vehicle according to the maintenance minder shown in the instrument panel helps to keep your driving trouble-free while it preserves your investment. When your vehicle needs maintenance, keep in mind that your dealer's staff is specially trained in servicing the many systems unique to your vehicle. Your dealer is dedicated to your satisfaction and will be pleased to answer any questions and concerns.

As you read this manual, you will find information that is preceded by a **NOTICE** symbol. This information is intended to help you avoid damage to your vehicle, other property, or the environment.

# Introduction

---

## California Proposition 65 Warning

**WARNING:** This product contains or emits chemicals known to the state of California to cause cancer and birth defects or other reproductive harm.

## Event Date Recorders

This vehicle is equipped with one or more devices commonly referred to as event data recorders. These devices record front seat belt use, front passenger seat occupancy, airbag deployment data, and the failure of any airbag system component. This data belongs to the vehicle owner and may not be accessed by anyone else except as legally required or with the permission of the vehicle owner.

## Service Diagnostic Recorders

This vehicle is equipped with service-related devices that record information about powertrain performance. The data can be used to verify emissions law requirements and/or help technicians diagnose and solve service problems. It may also be combined with data from other sources for research purposes, but it remains confidential and is never linked to the vehicle owner.

## California Perchlorate Contamination Prevention Act


The airbags, seat belt tensioners, and CR type batteries in this vehicle contain perchlorate materials - special handling may apply. See [www.dtsc.ca.gov/hazardouswaste/perchlorate](http://www.dtsc.ca.gov/hazardouswaste/perchlorate).

Your safety, and the safety of others, is very important. And operating this vehicle safely is an important responsibility.

To help you make informed decisions about safety, we have provided operating procedures and other information on labels and in this manual. This information alerts you to potential hazards that could hurt you or others.

Of course, it is not practical or possible to warn you about all the hazards associated with operating or maintaining your vehicle. You must use your own good judgement.

You will find this important safety information in a variety of forms, including:

- **Safety Labels** — on the vehicle.
- **Safety Messages** — preceded by a safety alert symbol  and one of three signal words: **DANGER**, **WARNING**, or **CAUTION**. These signal words mean:

 **DANGER**

You **WILL** be **KILLED** or **SERIOUSLY HURT** if you don't follow instructions.

 **WARNING**

You **CAN** be **KILLED** or **SERIOUSLY HURT** if you don't follow instructions.

 **CAUTION**

You **CAN** be **HURT** if you don't follow instructions.

- **Safety Headings** — such as Important Safety Reminders or Important Safety Precautions.
- **Safety Section** — such as Driver and Passenger Safety.
- **Instructions** — how to use this vehicle correctly and safely.

This entire book is filled with important safety information — please read it carefully.

## Important Handling Information

---

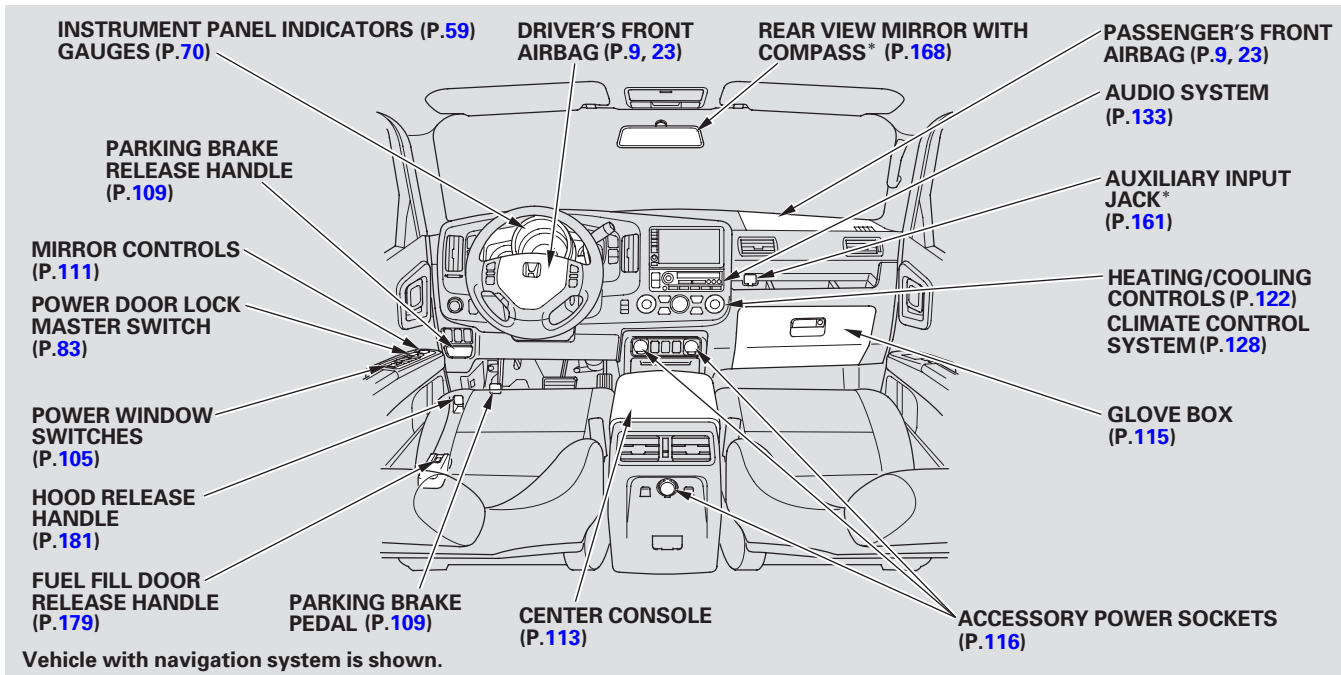
Your vehicle has higher ground clearance than a passenger vehicle designed for use only on pavement. Higher ground clearance has many advantages for off-highway driving. It allows you to travel over bumps, obstacles, and rough terrain. It also provides good visibility so you can anticipate problems earlier. Your vehicle also has a shorter wheelbase, allowing it to respond quicker to the steering wheel than other sport utility vehicles with a longer wheelbase.

In addition to these characteristics, your vehicle's pickup bed area allows you to carry more cargo and has the dual-action tailgate to handle the items easily.

These advantages come at some cost. Because your vehicle is taller and rides higher off the ground, it has a high center of gravity. This means your vehicle can tip or roll over if you make abrupt turns. Utility vehicles have a significantly higher rollover rate than other types of vehicles. In a rollover crash, an unbelted person is significantly more likely to die than a person wearing a seat belt. As a reminder, make sure you and your passengers always wear seat belts.

Overloading or improperly loading cargo could affect your handling and the vehicle's stability, and could result in a crash. Make sure the cargo is properly loaded and all items are secured in the pickup bed area.

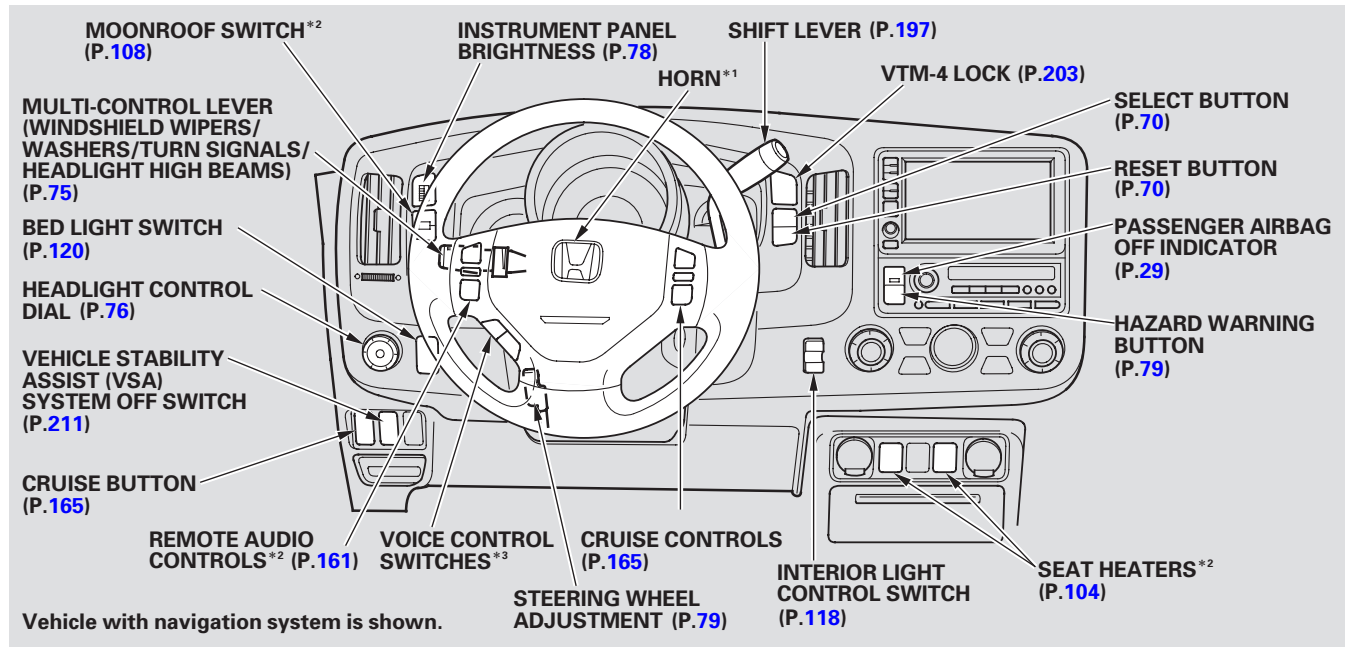
For information on how to reduce the risk of rollover, read "Driving Guidelines" on page [194](#) of this manual and the *Off-Highway Driving Guidelines* section on page [227](#) . Failure to operate your vehicle correctly might result in loss of control or an accident.



\* : If equipped

CONTINUED

# Your Vehicle at a Glance



\* 1 : To use the horn, press the pad around the “H” logo.

\* 2 : If equipped.

\* 3 : Only on vehicles equipped with navigation system. Refer to the navigation system manual.

This section gives you important information about how to protect yourself and your passengers. It shows you how to use seat belts. It explains how your airbags work. And it tells you how to properly restrain infants and children in your vehicle.

Important Safety Precautions .....	6
Your Vehicle's Safety Features.....	7
Seat Belts .....	8
Airbags.....	9
Protecting Adults and Teens.....	11
1. Close and Lock the Doors .....	11
2. Adjust the Front Seats .....	11
3. Adjust the Seat-Backs .....	12
4. Adjust the Head Restraints ....	13
5. Fasten and Position the Seat Belts .....	14
6. Maintain a Proper Sitting Position .....	15
Advice for Pregnant Women.....	16
Additional Safety Precautions....	17

Additional Information About Your Seat Belts.....	18
Seat Belt System Components...	18
Lap/Shoulder Belt.....	19
Automatic Seat Belt Tensioners.....	19
Seat Belt Maintenance .....	20
Additional Information About Your Airbags .....	21
Airbag System Components.....	21
How Your Front Airbags Work.....	23
How Your Side Airbags Work....	26
How your Side Curtain Airbags Work.....	28
How the SRS Indicator Works...	28
How the Side Airbag Off Indicator Works .....	29
How the Passenger Airbag Off Indicator Works .....	29
Airbag Service.....	30
Additional Safety Precautions....	31
Protecting Children – General Guidelines.....	32
All Children Must Be Restrained .....	32

All Children Should Sit in a Back Seat .....	33
The Passenger's Front Airbag Can Pose Serious Risks .....	33
If You Must Drive with Several Children .....	35
If a Child Requires Close Attention .....	35
Additional Safety Precautions....	36
Protecting Infants and Small Children .....	37
Protecting Infants.....	37
Protecting Small Children .....	38
Selecting a Child Seat.....	39
Installing a Child Seat .....	40
With LATCH.....	41
With a Lap/Shoulder Belt .....	44
With a Tether.....	46
Protecting Larger Children .....	49
Checking Seat Belt Fit .....	49
Using a Booster Seat.....	50
When Can a Larger Child Sit in Front.....	51
Additional Safety Precautions....	52
Carbon Monoxide Hazard .....	53
Safety Labels .....	54



# Important Safety Precautions

---

You'll find many safety recommendations throughout this section, and throughout this manual. The recommendations on this page are the ones we consider to be the most important.

## **Always Wear Your Seat Belt**

A seat belt is your best protection in all types of collisions. Airbags are designed to supplement seat belts, not replace them. So even though your vehicle is equipped with airbags, make sure you and your passenger always wear your seat belts, and wear them properly (see page 14 ).

## **Restrain All Children**

Children age 12 and under should ride properly restrained in a back seat, not the front seat. Infants and small children should be restrained in a child seat. Larger children should use a booster seat and a lap/shoulder belt until they can use the belt properly without a booster seat (see pages 32 – 52 ).

## **Be Aware of Airbag Hazards**

While airbags can save lives, they can cause serious or fatal injuries to occupants who sit too close to them, or are not properly restrained. Infants, young children, and short adults are at the greatest risk. Be sure to follow all instructions and warnings in this manual.

## **Don't Drink and Drive**

Alcohol and driving don't mix. Even one drink can reduce your ability to respond to changing conditions, and your reaction time gets worse with

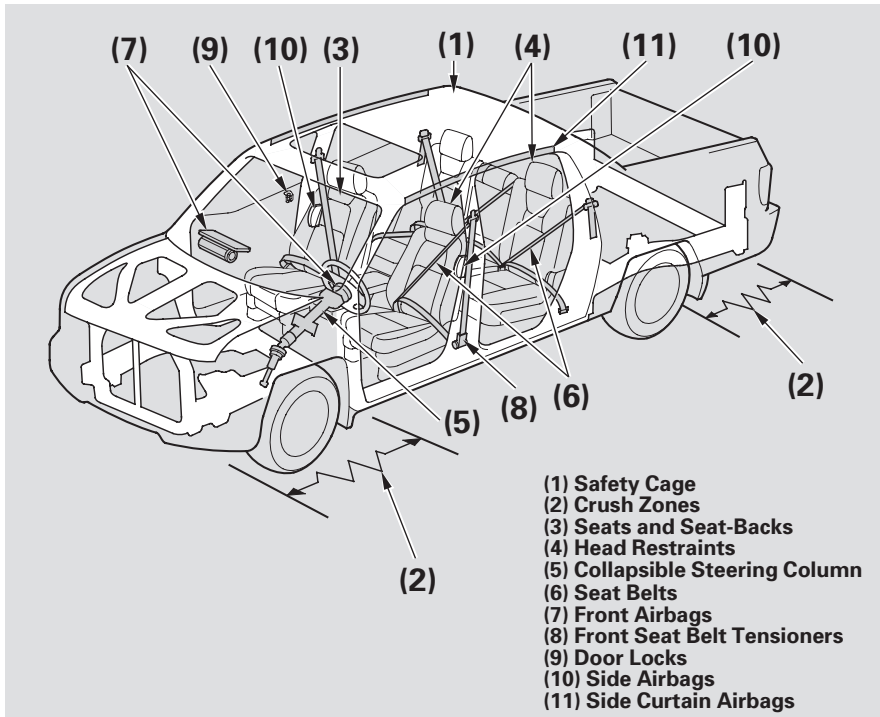
every additional drink. So don't drink and drive, and don't let your friends drink and drive, either.

## **Control Your Speed**

Excessive speed is a major factor in crash injuries and deaths. Generally, the higher the speed, the greater the risk, but serious injuries can also occur at lower speeds. Never drive faster than is safe for current conditions, regardless of the maximum speed posted.

## **Keep Your Vehicle in Safe Condition**

Having a tire blowout or a mechanical failure can be extremely hazardous. To reduce the possibility of such problems, check your tire pressures and condition frequently, and perform all regularly scheduled maintenance (see page 235 ).



Your vehicle is equipped with many features that work together to protect you and your passengers during a crash.

Some features do not require any action on your part. These include a strong steel framework that forms a safety cage around the passenger compartment, front and rear crush zones, a collapsible steering column, and tensioners that tighten the front seat belts in a crash.

However, you and your passengers can't take full advantage of these features unless you remain sitting in a proper position and ***always wear your seat belts***. In fact, some safety features can contribute to injuries if they are not used properly.

The following pages explain how you can take an active role in protecting yourself and your passengers.

# Your Vehicle's Safety Features

## Seat Belts

Your vehicle is equipped with seat belts in all seating positions.

The pickup bed is not equipped with seats or seat belts. Do not let anyone ride in the pickup bed as they can easily be thrown out and be killed or seriously injured.

Your seat belt system also includes an indicator on the instrument panel and a beeper to remind you and your passengers to fasten your seat belts.

### **WARNING**

Allowing passengers to ride in the pickup bed or on the tailgate can result in death or serious injury in a crash.

Make sure all passengers ride in a seat and wear a seat belt properly.

## *Why Wear Seat Belts*

Seat belts are the single most effective safety device for adults and larger children. (Infants and smaller children must be properly restrained in child seats.)

Not wearing a seat belt properly increases the chance of serious injury or death in a crash, even though your vehicle has airbags.

In addition, most states and all Canadian provinces require you to wear seat belts.

When properly worn, seat belts:

- Keep you connected to the vehicle so you can take advantage of the vehicle's built-in safety features.

### **WARNING**

Not wearing a seat belt properly increases the chance of serious injury or death in a crash, even though your vehicle has airbags.

Be sure you and your passengers always wear seat belts and wear them properly.

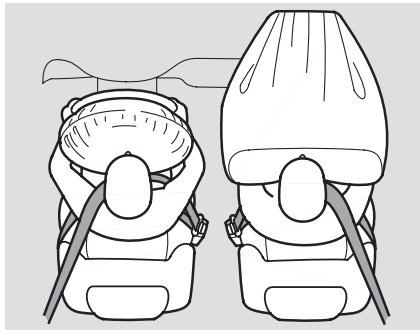
- Help protect you in almost every type of crash, including frontal, side and rear impacts, and rollovers.
- Help keep you from being thrown against the inside of the vehicle and against other occupants.
- Keep you from being thrown out of the vehicle.

- Help keep you in a good position should the airbags ever deploy. A good position reduces the risk of injury from an inflating airbag and allows you to get the best advantage from the airbag.

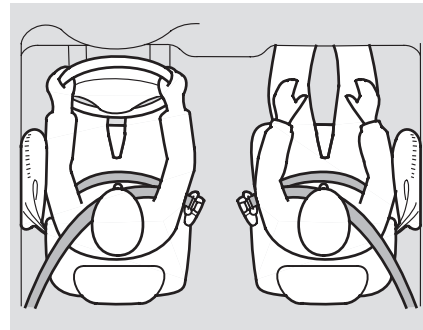
Of course, seat belts cannot completely protect you in every crash. But in most cases, seat belts can reduce your risk of serious injury.

**What you should do:** Always wear your seat belt, and make sure you wear it properly.

## Airbags



Your vehicle has a supplemental restraint system (SRS) with front airbags to help protect the heads and chests of the driver and a front seat passenger during a moderate to severe frontal collision (see page [23](#) for more information on how your front airbags work).

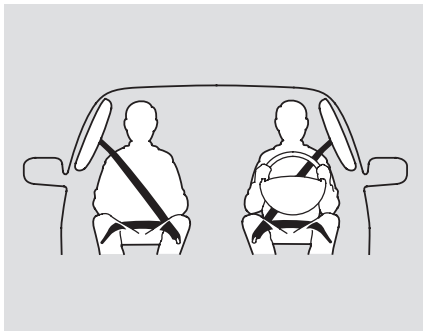


Your vehicle has side airbags to help protect the upper torso of the driver or a front seat passenger during a moderate to severe side impact (see page [26](#) for more information on how your side airbags work).

CONTINUED

# Your Vehicle's Safety Features

---



Your vehicle has side curtain airbags to help protect the heads of the driver, front passenger, and passengers in the outer rear seating positions during a moderate to severe side impact or rollover (see [page 28](#) for more information on how your side curtain airbags work).

The most important things you need to know about your airbags are:

- ***Airbags do not replace seat belts.*** They are designed to supplement the seat belts.
- ***Airbags offer no protection in rear impacts, or minor frontal or side collisions.***
- ***Airbags can pose serious hazards.*** To do their job, airbags must inflate with tremendous force. So while airbags help save lives, they can cause minor injuries or more serious or even fatal injuries if occupants are not properly restrained or sitting properly.

***What you should do:*** Always wear your seat belt properly, and sit upright and as far back from the steering wheel as possible while allowing full control of the vehicle. A front passenger should move their seat as far back from the dashboard as possible.

The rest of this section gives more detailed information about how you can maximize your safety.

Remember, however, that no safety system can prevent all injuries or deaths that can occur in a severe crash, even when seat belts are properly worn and the airbags deploy.

## Introduction

The following pages provide instructions on how to properly protect the driver, adult passengers, and teenage children who are large enough and mature enough to drive or ride in the front.

See pages [32](#) – [52](#) for important guidelines on how to properly protect infants, small children, and larger children who ride in your vehicle.

## 1. Close and Lock the Doors

After everyone has entered the vehicle, be sure the doors are closed and locked. Before driving, be sure the tailgate is also closed.

Locking the doors reduces the chance of someone being thrown out of the vehicle during a crash, and it helps prevent passengers from accidentally opening a door and falling out.



Your vehicle has a door and tailgate open monitor on the instrument panel to indicate when a specific door or the tailgate is not tightly closed.

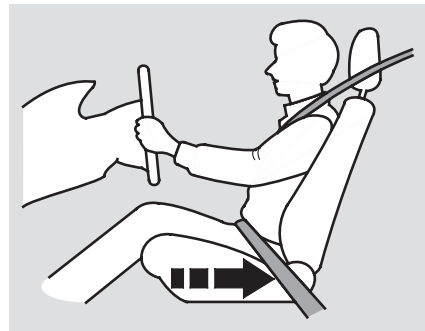


Your vehicle also has an In-Bed Trunk open indicator to show when the In-Bed Trunk lid is not tightly closed (see page [96](#)).

Locking the doors also helps prevent an outsider from unexpectedly opening a door when you come to a stop.

See page [83](#) for how to lock the doors, and page [64](#) for how the door and tailgate open monitor works.

## 2. Adjust the Front Seats



Adjust the driver's seat as far to the rear as possible while allowing you to maintain full control of the vehicle. Have a front passenger adjust their seat as far to the rear as possible.

*CONTINUED*

## Protecting Adults and Teens

If you sit too close to the steering wheel or dashboard, you can be seriously injured by an inflating front airbag, or by striking the steering wheel or dashboard.

The National Highway Traffic Safety Administration and Transport Canada recommend that drivers allow at least 10 inches (25 cm) between the center of the steering wheel and the chest.

If you cannot get far enough away from the steering wheel and still reach the controls, we recommend that you investigate whether some type of adaptive equipment may help.

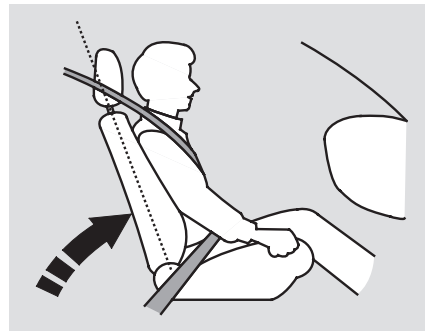
### **⚠ WARNING**

Sitting too close to a front airbag can result in serious injury or death if the front airbags inflate.

Always sit as far back from the front airbags as possible.

*On RT, RTX, and Canadian LX models*  
Once your seat is adjusted correctly, rock it back and forth to make sure it is locked into position. See page [98](#) for how to adjust the front seats.

### 3. Adjust the Seat-Backs



Adjust the driver's seat-back to a comfortable, upright position, leaving ample space between your chest and the airbag cover in the center of the steering wheel.

Passengers with adjustable seat-backs should also adjust their seat-back to a comfortable, upright position.

## **⚠ WARNING**

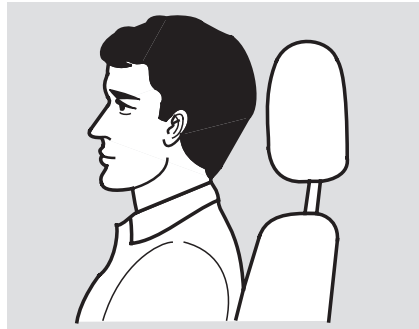
Reclining the seat-back too far can result in serious injury or death in a crash.

Adjust the seat-back to an upright position, and sit well back in the seat.

Reclining a seat-back so that the shoulder part of the belt no longer rests against the occupant's chest reduces the protective capability of the belt. It also increases the chance of sliding under the belt in a crash and being seriously injured. The farther a seat-back is reclined, the greater the risk of injury.

See pages [98](#) and [100](#) for how to adjust the seat-backs.

## 4. Adjust the Head Restraints



Adjust the driver's head restraint so the back of your head rests against the center of the restraint.

Have passengers adjust their head restraints properly as well. Taller persons should adjust their restraint as high as possible.

When a passenger is seated in the rear center seating position, make sure the center head restraint is adjusted to its highest position.

## **⚠ WARNING**

Improperly positioning head restraints reduces their effectiveness and you can be seriously injured in a crash.

Make sure head restraints are in place and positioned properly before driving.

Properly adjusted head restraints will help protect occupants from whiplash and other crash injuries.

See page [102](#) for how to adjust the head restraints.



# Protecting Adults and Teens

## 5. Fasten and Position the Seat Belts

Insert the latch plate into the buckle, then tug on the belt to make sure the belt is securely latched. Check that the belt is not twisted, because a twisted belt can cause serious injuries in a crash.



Position the lap part of the belt as low as possible across your hips, then pull up on the shoulder part of the belt so the lap part fits snugly. This lets your strong pelvic bones take the force of a crash and reduces the chance of internal injuries.

If necessary, pull up on the belt again to remove any slack, then check that the belt rests across the center of your chest and over your shoulder.

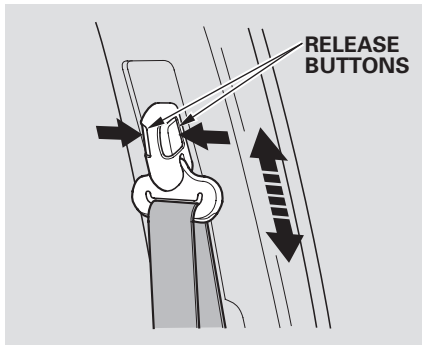
This spreads the forces of a crash over the strongest bones in your upper body.

### **⚠ WARNING**

Improperly positioning the seat belts can cause serious injury or death in a crash.

Make sure all seat belts are properly positioned before driving.

If the seat belt touches or crosses your neck, or if it crosses your arm instead of your shoulder, you need to adjust the seat belt anchor height.



The front seats have adjustable seat belt anchors. To adjust the height of an anchor, squeeze the two release buttons, and slide the anchor up or down as needed (it has four positions).

**Never place the shoulder portion of a lap/shoulder belt under your arm or behind your back.** This could cause very serious injuries in a crash.

If a seat belt does not seem to work as it should, it may not protect the occupant in a crash.

**No one should sit in a seat with an inoperative seat belt.** Using a seat belt that is not working properly can result in serious injury or death. Have your dealer check the belt as soon as possible.

See page 18 for additional information about your seat belts and how to take care of them.

## 6. Maintain a Proper Sitting Position

After all occupants have adjusted their seats and put on seat belts, it is very important that they continue to sit upright, well back in their seats, with their feet on the floor, until the vehicle is parked and the engine is off.

Sitting improperly can increase the chance of injury during a crash. For example, if an occupant slouches, lies down, turns sideways, sits forward, leans forward or sideways, or puts one or both feet up, the chance of injury during a crash is greatly increased.

CONTINUED

# Protecting Adults and Teens

In addition, an occupant who is out of position in the front seat can be seriously or fatally injured in a crash by striking interior parts of the vehicle or being struck by an inflating front airbag.

## **⚠️ WARNING**

Sitting improperly or out of position can result in serious injury or death in a crash.

Always sit upright, well back in the seat, with your feet on the floor.

## Advice for Pregnant Women



If you are pregnant, the best way to protect yourself and your unborn child when driving or riding in a vehicle is to always wear a seat belt, and keep the lap part of the belt as low as possible across the hips.

When driving, remember to sit upright and adjust the seat as far back as possible while allowing full control of the vehicle. When riding as a front passenger, adjust the seat as far back as possible.

This will reduce the risk of injuries to both you and your unborn child that can be caused by a crash or an inflating front airbag.

Each time you have a checkup, ask your doctor if it's okay for you to drive.

## Additional Safety Precautions

- **Never let passengers ride in the area in front of a folded-up rear seat.** If they do, they could be very seriously injured in a crash.
- **Never let passengers ride in the pickup bed.** If they do, they could be killed or very seriously injured in a crash.
- **Never let passengers ride inside a truck cap (shell).** They could be killed or injured in a crash, or become ill or even die from carbon monoxide poisoning if engine exhaust enters the cap.
- **Passengers should not stand up or change seats while the vehicle is moving.** A passenger who is not wearing a seat belt during a crash or emergency stop can be thrown against the inside of the vehicle, against other occupants, or out of the vehicle.

- **Two people should never use the same seat belt.** If they do, they could be very seriously injured in a crash.
- **Do not put any accessories on seat belts.** Devices intended to improve occupant comfort or reposition the shoulder part of a seat belt can reduce the protective capability of the seat belt and increase the chance of serious injury in a crash.
- **Do not place hard or sharp objects between yourself and a front airbag.** Carrying hard or sharp objects on your lap, or driving with a pipe or other sharp object in your mouth, can result in injuries if your front airbag inflates.

- **Keep your hands and arms away from the airbag covers.** If your hands or arms are close to an airbag cover, they could be injured if the airbag inflates.
- **Do not attach or place objects on the front airbag covers.** Objects on the covers marked “SRS AIRBAG” could interfere with the proper operation of the airbags or be propelled inside the vehicle and hurt someone if the airbags inflate.
- **Do not attach solid objects on or near a door.** If a side airbag or a side curtain airbag inflates, a cup holder or other solid object attached on or near the door could be propelled inside the vehicle and hurt someone.

# Additional Information About Your Seat Belts

---

## Seat Belt System Components

Your seat belt system includes lap/shoulder belts in all five seating positions. The front seat belts are also equipped with automatic seat belt tensioners.

This system uses the same sensors as the front airbags to monitor whether the front seat belts are latched or unlatched, and how much weight is on the front passenger's seat (see pages 25 and 26).



The seat belt system includes an indicator on the instrument panel and a beeper to remind you and your passengers to fasten your seat belts.

This system monitors the front seat belts. If you turn the ignition switch to the ON (II) position before your seat belt is fastened, the beeper will sound and the indicator will flash. If your seat belt is not fastened before

the beeper stops, the indicator will stop flashing but remain on.

If a front passenger does not fasten their seat belt, the indicator will come on about 6 seconds after the ignition switch is turned to the ON (II) position.

If either the driver or a front passenger does not fasten their seat belt while driving, the beeper will sound and the indicator will flash again at regular intervals.

When no one is sitting in the front passenger's seat, or a child or small adult is riding there, the indicator should not come on and the beeper should not sound.

If the indicator comes on or the beeper sounds when the driver's seat belt is latched and there is no front seat passenger and no items on the front seat, something may be interfering with the monitoring system. Look for and remove:

- Any items under the front passenger's seat.
- Any objects hanging on the seat or in the seat-back pocket.
- Any object on the floor that is touching the rear of the seat-back.

If no obstructions are found, have your vehicle checked by a dealer.

### Lap/Shoulder Belt

The lap/shoulder belt goes over your shoulder, across your chest, and across your hips.

To fasten the belt, insert the latch plate into the buckle, then tug on the belt to make sure the buckle is latched (see page 14 for how to properly position the belt).

To unlock the belt, press the red PRESS button on the buckle. Guide the belt across your body so that it retracts completely. After exiting the vehicle, be sure the belt is out of the way and will not get closed in the door.

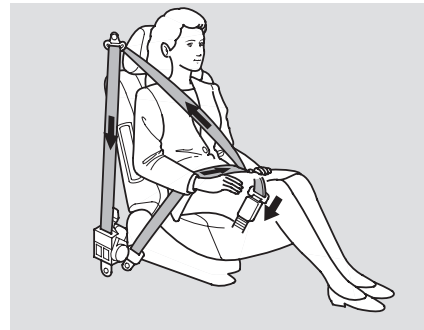
All seat belts have an emergency locking retractor. In normal driving, the retractor lets you move freely in your seat while it keeps some tension on the belt. During a collision or sudden stop, the retractor automatically locks the belt to help restrain your body.

The seat belts in all positions except the driver's have an additional lockable retractor that must be activated to secure a child seat (see page 44 ).

If the shoulder part of the belt is pulled all the way out, the lockable retractor will activate. The belt will retract, but it will not allow the passenger to move freely.

To deactivate the lockable retractor, unlatch the buckle and let the seat belt fully retract. To refasten the seat belt, pull it out only as far as needed.

### Automatic Seat Belt Tensioners



For added protection, the front seat belts are equipped with automatic seat belt tensioners. When activated, the tensioners immediately tighten the belts to help hold the driver and a front passenger in position.

*CONTINUED*

## Additional Information About Your Seat Belts

---

The tensioners are designed to activate in any collision severe enough to cause the front airbags to deploy, or if a sensor detects your vehicle is about to roll over (see page 28 ).

If a side airbag or side curtain airbag deploys during a side impact, the tensioner on that side of the vehicle will also deploy.

The tensioners can also be activated during a collision in which the front airbags *do not deploy*. In this case, the airbags would not be needed, but the additional restraint could be helpful.

When the tensioners are activated, the seat belts will remain tight until they are unbuckled.

### Seat Belt Maintenance

For safety, you should check the condition of your seat belts regularly.

Pull each belt out fully, and look for frays, cuts, burns, and wear. Check that the latches work smoothly and the belts retract easily. If a belt does not retract easily, cleaning the belt may correct the problem (see page 261 ). Any belt that is not in good condition or working properly will not provide good protection and should be replaced as soon as possible.

Honda provides a limited warranty on seat belts. See your *Honda Warranty Information* booklet for details.

If a seat belt is worn during a crash, it must be replaced by the dealer. A belt that has been worn during a crash may not provide the same level of protection in a subsequent crash.

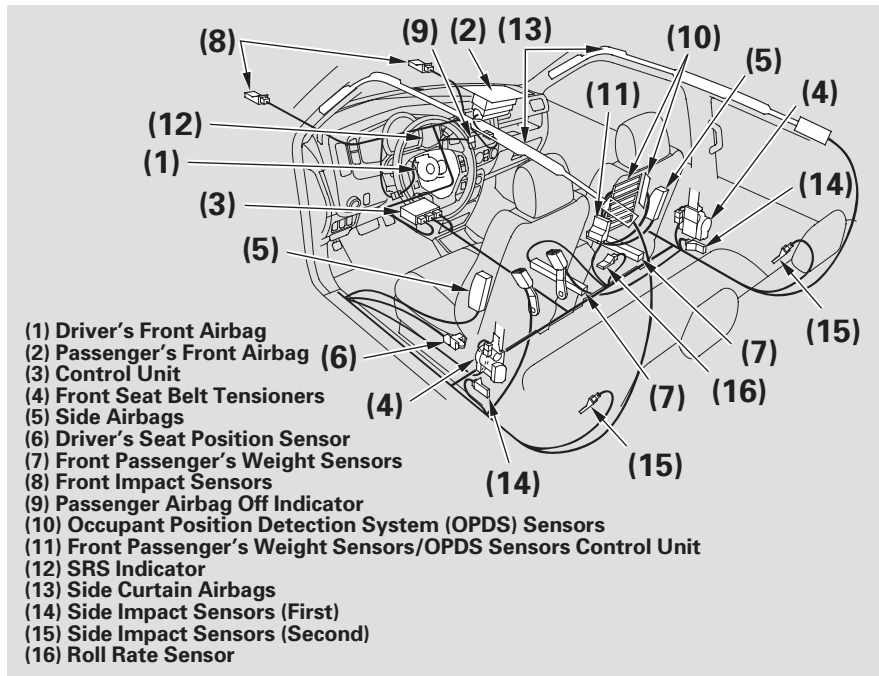
The dealer should also inspect the anchors for damage and replace them if needed. If the automatic seat belt tensioners activate during a crash, they must be replaced.

### WARNING

Not checking or maintaining seat belts can result in serious injury or death if the seat belts do not work properly when needed.

Check your seat belts regularly and have any problem corrected as soon as possible.

## Airbag System Components



Your airbag system includes:

- Two SRS (supplemental restraint system) front airbags. The driver's airbag is stored in the center of the steering wheel; the front passenger's airbag is stored in the dashboard. Both are marked "SRS AIRBAG" (see page 23).
- Two side airbags, one for the driver and one for a front passenger. The airbags are stored in the outer edges of the seat-backs. Both are marked "SIDE AIRBAG" (see page 26).
- Two side curtain airbags, one for each side of the vehicle. The airbags are stored in the ceiling, above the side windows. The front and rear pillars are marked "SIDE CURTAIN AIRBAG" (see page 26).

CONTINUED

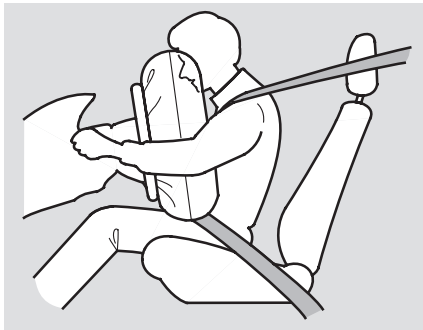


## Additional Information About Your Airbags

---

- Automatic front seat belt tensioners (see page 19).
- Sensors that can detect a moderate to severe front impact, side impact, or rollover.
- Sensors that can detect whether a child is in the passenger's side airbag path and signal the control unit to turn the airbag off (see page 27).
- Sensors that can detect whether the driver's seat belt and a front passenger's seat belt is latched or unlatched (see page 18).
- A driver's seat position sensor that monitors the distance of the seat from the front airbag. If the seat is too far forward, the airbag will inflate with less force (see page 25).
- Weight sensors that monitor the weight on the front passenger's seat. If the weight is about 65 lbs (29 kg) or less (the weight of an infant or small child), the passenger's front airbag will be turned off (see page 25).
- A rollover sensor that can detect if your vehicle is about to roll over and signal the control unit to deploy both side curtain airbags and front seat belt tensioners (see page 28).
- A sophisticated electronic system that continually monitors and records information about the sensors, the control unit, the airbag activators, the seat belt tensioners, and driver and front passenger seat belt use when the ignition switch is in the ON (II) position.
- An indicator on the instrument panel that alerts you to a possible problem with your airbags, sensors, or seat belt tensioners (see page 28).
- An indicator on the instrument panel that alerts you that the passenger's side airbag has been turned off (see page 29).
- An indicator on the dashboard that alerts you that the passenger's front airbag has been turned off (see page 29).
- Emergency backup power in case your vehicle's electrical system is disconnected in a crash.

### How Your Front Airbags Work



If you ever have a moderate to severe frontal collision, sensors will detect the vehicle's rapid deceleration.

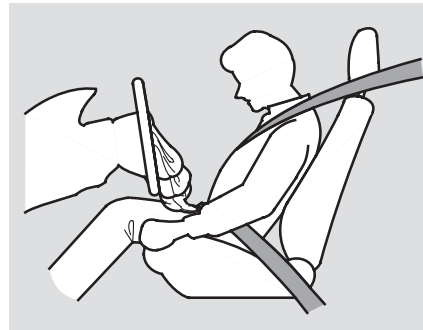
If the rate of deceleration is high enough, the control unit will instantly inflate the driver's and front passenger's airbags, at the time and with the force needed.

During a frontal crash, your seat belt restrains your lower body and torso, and the front airbag helps protect your head and chest.

Although both airbags normally inflate within a split second of each other, it is possible for only one airbag to deploy.

This can happen if the severity of a collision is at the margin, or threshold, that determines whether or not the airbags will deploy. In such cases, the seat belt will provide sufficient protection, and the supplemental protection offered by the airbag would be minimal.

Only the driver's airbag will deploy if there is no passenger in the front seat, or if the advanced airbag system has turned the passenger's airbag off (see page 25).



After inflating, the front airbags immediately deflate, so they won't interfere with the driver's visibility, or the ability to steer or operate other controls.

CONTINUED

## Additional Information About Your Airbags

---

The total time for inflation and deflation is one-tenth of a second, so fast that most occupants are not aware that the airbags deployed until they see them lying in their laps.

After a crash, you may see what looks like smoke. This is actually powder from the airbag's surface. Although the powder is not harmful, people with respiratory problems may experience some temporary discomfort. If this occurs, get out of the vehicle as soon as it is safe to do so.

### *Dual-Stage Airbags*

Your front airbags are dual-stage airbags. This means they have two inflation stages that can be ignited sequentially or simultaneously, depending on crash severity.

In a **more severe** crash, both stages will ignite simultaneously to provide the quickest and greatest protection.

In a **less severe** crash, one stage will ignite first, then the second stage will ignite a split second later. This provides longer airbag inflation time with a little less force.

### *Dual-Threshold Airbags*

Your front airbags are also dual-threshold airbags. Airbags with this feature have two deployment thresholds that depend on whether sensors detect the occupant is wearing a seat belt or not.

If the occupant's belt is **not latched**, the airbag will deploy at a slightly lower threshold, because the occupant would need extra protection.

If the occupant's belt is **latched**, the airbag will deploy at a slightly higher threshold, when the airbag would be needed to supplement the protection provided by the seat belt.

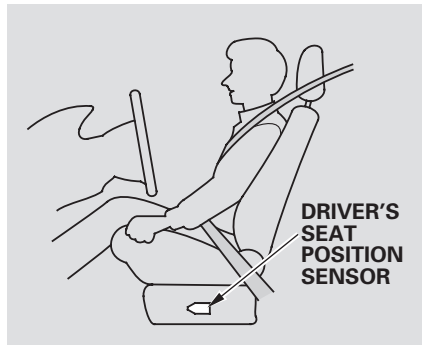
### **Advanced Airbags**

Your front airbags are also advanced airbags. The main purpose of this feature is to help prevent airbag-caused injuries to short drivers and children who ride in front.

For both advanced airbags to work properly:

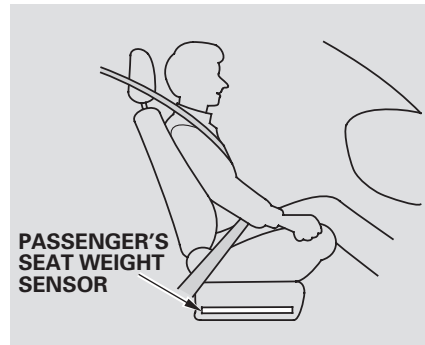
- Occupants must sit upright and wear their seat belts properly.
- Do not spill any liquids on or under the seats, cover the sensors, or put any objects or metal items under the front seats.
- Back-seat passengers should not put their feet under the front seats.

Failure to follow these instructions could damage the sensors or prevent them from working properly.



The driver's advanced front airbag system includes a seat position sensor under the seat. If the seat is too far forward, the airbag will inflate with less force, regardless of the severity of the impact.

If there is a problem with the sensor, the SRS indicator will come on, and the airbag will inflate in the normal manner regardless of the driver's seating position.



The passenger's advanced front airbag system has weight sensors under the seat. Although Honda does not encourage carrying an infant or small child in front, if the sensors detect the weight of an infant or small child (up to about 65 lbs or 29 kg), the system will automatically turn the passenger's front airbag off.

Be aware that objects placed on the passenger's seat can also cause the airbag to be turned off. *CONTINUED*

## Additional Information About Your Airbags

---

When the airbag is turned off, a “passenger airbag off” indicator in the center of the dashboard comes on (see page [29](#)).

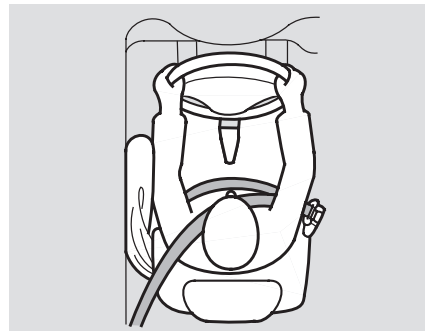
If the weight sensors detect there is no passenger in the front seat, the airbag will be off. However, the passenger airbag off indicator will not come on.

To ensure that the passenger’s advanced front airbag system will work properly, ***do not do anything that would increase or decrease the weight on the front passenger’s seat.*** This includes:

- A rear passenger pushing or pulling on the back of the front passenger’s seat.
- Moving the front seat forcibly back against cargo on the seat or floor behind it.
- Hanging heavy items on the front passenger seat, or placing heavy items in the seat-back pocket.

Also, make sure the floor mat behind the front passenger’s seat is hooked to the floor mat anchor (see page [261](#)). If it is not, the mat may interfere with the proper operation of the sensors and operation of the seat.

### How Your Side Airbags Work



If you ever have a moderate to severe side impact, sensors will detect rapid acceleration and signal the control unit to instantly inflate either the driver’s or the passenger’s side airbag and activate the seat belt tensioner.

Only one airbag will deploy during a side impact. If the impact is on the passenger's side, the passenger's side airbag will deploy even if there is no passenger.

To get the best protection from the side airbags, front seat occupants should wear their seat belts and sit upright and well back in their seats.

### ***Side Airbag Cutoff System***

Your vehicle has a side airbag cutoff system designed primarily to protect a child riding in the front passenger's seat.

Although Honda does not encourage children to ride in front, if sensors in the seat detect a child has leaned into the side airbag's deployment path, the airbag will shut off.

The side airbag may also shut off if a short adult leans sideways, or a larger adult slouches and leans sideways into the airbag's deployment path.

Objects placed on the front passenger seat can also cause the side airbag to be shut off.

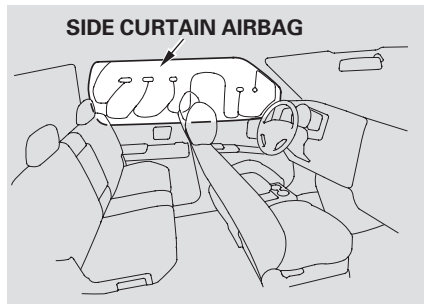
If the side airbag off indicator comes on (see page 29), have the passenger sit upright. Once the passenger is out of the airbag's deployment path, the system will turn the airbag back on, and the indicator will go out.

There will be some delay between the moment the passenger moves into or out of the airbag deployment path and when the indicator comes on or goes off.

A front seat passenger should not use a cushion or other object as a backrest. It may prevent the cutoff system from working properly.

# Additional Information About Your Airbags

## How Your Side Curtain Airbags Work



### *In a Side Impact*

In a moderate to severe side impact, sensors will detect rapid acceleration and signal the control unit to instantly inflate the side curtain airbag and activate the seat belt tensioner on the driver's or the passenger's side of the vehicle. If the impact is on the passenger's side, the passenger's side curtain airbag will inflate even if there are no occupants on that side of the vehicle.

### *In a Rollover*

A rollover sensor monitors the degree and rate your vehicle may roll over and automatically deploy the side curtain airbags and activate the front seat belt tensioners (see page 19).

In a rollover toward the front passenger's side of the vehicle, both side curtain airbags will inflate and the front seat belt tensioners will activate even if there are no occupants on that side of the vehicle.

To get the best protection from the side curtain airbags, occupants should wear their seat belts and sit upright and well back in their seats.

### How the SRS Indicator Works



The SRS indicator alerts you to a potential problem with your airbags or seat belt tensioners.

When you turn the ignition switch to the ON (II) position, this indicator comes on for several seconds then goes off. This tells you the system is working properly.

If the indicator comes on at any other time, or does not come on at all, you should have the system checked by your dealer. For example:

- If the SRS indicator does not come on after you turn the ignition switch to the ON (II) position.
- If the indicator stays on after the engine starts.
- If the indicator comes on or flashes on and off while you drive.

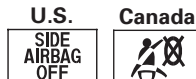
If you see any of these indications, the airbags and seat belt tensioners may not work properly when you need them.

## **⚠️ WARNING**

Ignoring the SRS indicator can result in serious injury or death if the airbag systems or tensioners do not work properly.

Have your vehicle checked by a dealer as soon as possible if the SRS indicator alerts you to a possible problem.

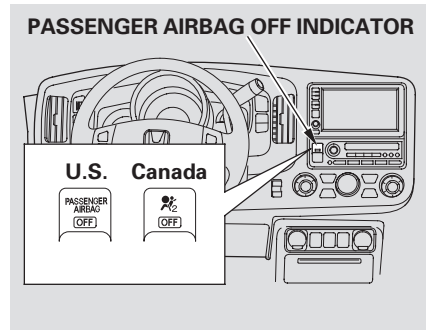
## How the Side Airbag Off Indicator Works



This indicator alerts you that the passenger's side airbag has been automatically shut off. It does **not** mean there is a problem with your side airbags.

When you turn the ignition switch to the ON (II) position, the indicator should come on for several seconds and then go off (see page 62 ). If it doesn't come on, stays on, or comes on while driving without a passenger in the front seat, have the system checked.

## How the Passenger Airbag Off Indicator Works



This indicator alerts you that the passenger's front airbag has been shut off because weight sensors detect about 65 lbs (29 kg) or less (the weight of an infant or small child) on the front passenger's seat. It does **not mean** there is a problem with the airbag.

CONTINUED



## Additional Information About Your Airbags

---

Be aware that objects placed on the front seat can cause the indicator to come on.

If no weight is detected on the front seat, the airbag will be automatically shut off. However, the indicator will not come on.

The passenger airbag off indicator may come on and off repeatedly if the total weight on the seat is near the airbag cutoff threshold.

If an adult or teenage passenger is riding in front, move the seat as far to the rear as possible, and have the passenger sit upright and wear the seat belt properly.

If the indicator comes on with no front seat passenger and no objects on the seat, or with an adult riding there, something may be interfering with the weight sensors. Look for and remove:

- Any items under the front passenger's seat.
- Any object, hanging on the seat or in the seat-back pocket.
- Any object that is touching the rear of the seat-back.

If no obstructions are found, have your vehicle checked by a dealer as soon as possible.

### Airbag Service

Your airbag systems are virtually maintenance free, and there are no parts you can safely service. However, you must have your vehicle serviced if:

- ***An airbag ever inflates.*** Any airbag that has deployed must be replaced along with the control unit and other related parts. Any seat belt tensioner that activates must also be replaced.

Do not try to remove or replace any airbag by yourself. This must be done by an authorized dealer or a knowledgeable body shop.

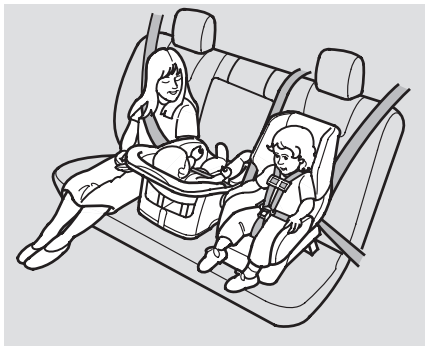
- ***The SRS indicator alerts you to a problem.*** Take your vehicle to an authorized dealer as soon as possible. If you ignore this indication, your airbags may not operate properly.

- ***If your vehicle has a moderate to severe impact.*** Even if your airbags do not inflate, your dealer should inspect the driver's seat position sensor, the front passenger's weight sensors, the front seat belt tensioners, and all seat belts worn during the crash to make sure they are operating properly.

### Additional Safety Precautions

- ***Do not attempt to deactivate your airbags.*** Together, airbags and seat belts provide the best protection.
- ***Do not tamper with airbag components or wiring for any reason.*** Tampering could cause the airbags to deploy, possibly causing very serious injury.
- ***Do not expose the front passenger's seat-back to liquid.*** If water or another liquid soaks into a seat-back, it can prevent the side airbag cutoff system from working properly.

- ***Do not cover or replace front seat-back covers without consulting your dealer.*** Improperly replacing or covering front seat-back covers can prevent your side airbags from inflating during a side impact.
- ***Do not remove or modify a front seat without consulting your dealer.*** This could make the driver's seat position sensor or the front passenger's weight sensors ineffective. If it is necessary to remove or modify a front seat to accommodate a person with disabilities, first contact Honda Automobile Customer Service at (800) 999-1009.



Children depend on adults to protect them. However, despite their best intentions, many adults do not know how to *properly* protect child passengers.

If you have children, or ever need to drive with a child in your vehicle, be sure to read this section. It begins with important general guidelines, then presents special information for infants, small children, and larger children.

### **All Children Must Be Restrained**

Each year, many children are injured or killed in vehicle crashes because they are either unrestrained or not properly restrained. In fact, vehicle accidents are the number one cause of the death of children ages 12 and under.

To reduce the number of child deaths and injuries, every state and Canadian province requires that infants and children be properly restrained when they ride in a vehicle.

***Infants and small children must be restrained in an approved child seat that is properly secured to the vehicle*** (see pages 37 – 48).

### **⚠ WARNING**

Children who are unrestrained or improperly restrained can be seriously injured or killed in a crash.

Any child too small for a seat belt should be properly restrained in a child seat. A larger child should be properly restrained with a seat belt and use a booster seat if necessary.

***Larger children must be restrained with a lap/shoulder belt and ride on a booster seat until the seat belt fits them properly*** (see pages 49 – 52).

## All Children Should Sit in a Back Seat

According to accident statistics, children of all ages and sizes are safer when they are restrained in a back seat. The National Highway Traffic Safety Administration and Transport Canada recommend that all children aged 12 and under be properly restrained in a back seat. Some states have laws restricting where children may ride.

Children who ride in the back are less likely to be injured by striking interior vehicle parts during a collision or hard braking. Also, children cannot be injured by an inflating front airbag when they ride in the back.

## The Passenger's Front Airbag Can Pose Serious Risks

Front airbags have been designed to help protect adults in a moderate to severe frontal collision. To do this, the passenger's front airbag is quite large, and it can inflate with enough force to cause very serious injuries.

Even though your vehicle has an advanced front airbag system that automatically turns the passenger's front airbag off (see page 29), please follow these guidelines:

### *Infants*

***Never put a rear-facing child seat in the front seat of a vehicle equipped with a passenger's front airbag.*** If the airbag inflates, it can hit the back of the child seat with enough force to kill or very seriously injure an infant.

### *Small Children*

***Placing a forward-facing child seat in the front seat of a vehicle equipped with a passenger's front airbag can be hazardous.*** If the vehicle seat is too far forward, or the child's head is thrown forward during a collision, an inflating front airbag can strike the child with enough force to kill or very seriously injure a small child.

### *Larger Children*

***Children who have outgrown child seats are also at risk of being injured or killed by an inflating passenger's front airbag.*** Whenever possible, larger children should sit in the back seat, on a booster seat if needed, and be properly restrained with a seat belt (see page 49 for important information about protecting larger children).

CONTINUED

# Protecting Children – General Guidelines

To remind you of the passenger's front airbag hazards, and that children must be properly restrained in a back seat, your vehicle has warning labels on the dashboard (U.S. models) and on the front visors. Please read and follow the instructions on these labels.

## U.S. Models

### SUN VISORS



## Canadian Models

### SUN VISORS

#### CAUTION

##### TO AVOID SERIOUS INJURY:

- FOR MAXIMUM SAFETY PROTECTION IN ALL TYPES OF CRASHES, YOU MUST ALWAYS WEAR YOUR SAFETY BELT.
- DO NOT INSTALL REARWARD-FACING CHILD SEATS IN ANY FRONT PASSENGER SEAT POSITION.
- DO NOT SIT OR LEAN UNNECESSARILY CLOSE TO THE AIR BAG.
- DO NOT PLACE ANY OBJECTS OVER THE AIR BAG OR BETWEEN THE AIR BAG AND YOURSELF.
- SEE THE OWNER'S MANUAL FOR FURTHER INFORMATION AND EXPLANATIONS.

### DASHBOARD

This Vehicle is Equipped with Advanced Air Bags

#### Even with Advanced Air Bags

Children can be killed or seriously injured by the air bag.  
The back seat is the safest place for children.  
Never put a rear-facing child seat in the front.  
Always use seat belts and child restraints.  
See owner's manual for more information about air bags.

To be removed by owner only.

#### PRECAUTIONS:

##### POUR EVITER DES BLESSURES GRAVES:

- POUR PROFITER D'UNE PROTECTION MAXIMALE LORS D'UNE COLLISION BOUCLEZ TOUJOURS VOTRE CEINTURE DE SECURITE.
- N'INSTALLEZ JAMAIS UN SIEGE POUR ENFANTS FAISANT FACE A L'ARRIERE SUR LE SIEGE DU PASSAGER AVANT.
- NE VOUS APPUYEZ PAS ET NE VOUS ASSOYEZ PAS PRES DU COUSSIN GONFLABLE.
- NE DEPOSEZ AUCUN OBJET SUR LE COUSSIN GONFLABLE OU ENTRE LE COUSSIN GONFLABLE ET VOUS.
- LISEZ LE GUIDE UTILISATEUR POUR DE PLUS AMPLES RENSEIGNEMENTS.

## If You Must Drive with Several Children

Your vehicle has a back seat where children can be properly restrained. If you ever have to carry a group of children, and a child must ride in front:

- Place the largest child in the front seat, provided the child is large enough to wear the lap/shoulder belt properly (see page [49](#) ).
- Move the vehicle seat as far to the rear as possible (see pages [98](#) and [100](#) ).
- Have the child sit upright and well back in the seat (see page [15](#) ).
- Make sure the seat belt is properly positioned and secured (see page [14](#) ).

## If a Child Requires Close Attention

Many parents say they prefer to put an infant or a small child in the front passenger seat so they can watch the child, or because the child requires attention.

Placing a child in the front seat exposes the child to hazards in a frontal collision, and paying close attention to a child distracts the driver from the important tasks of driving, placing both of you at risk.

If a child requires close physical attention or frequent visual contact, we strongly recommend that another adult ride with the child in the back seat. The back seat is far safer for a child than the front.

### Additional Safety Precautions

- **Never hold an infant or child on your lap.** If you are not wearing a seat belt in a crash, you could be thrown forward and crush the child against the dashboard or a seat-back. If you are wearing a seat belt, the child can be torn from your arms and be seriously hurt or killed.
- **Never put a seat belt over yourself and a child.** During a crash, the belt could press deep into the child and cause serious or fatal injuries.
- **Never let two children use the same seat belt.** If they do, they could be very seriously injured in a crash.
- **Make sure any unused seat belt that a child can reach is buckled, the lockable retractor is activated, and the belt is fully retracted and locked.** If a child wraps a loose

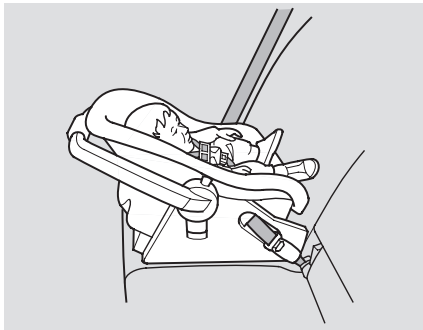
seat belt around their neck, they can be seriously or fatally injured. (See pages 44 and 45 for how to activate and deactivate the lockable retractor.)

- **Use the childproof door locks to prevent children from opening the rear doors.** This can prevent children from accidentally falling out (see page 84 ).
- **Do not leave children alone in a vehicle.** Leaving children without adult supervision is illegal in most states and Canadian provinces, and can be very hazardous.

For example, infants and small children left in a vehicle on a hot day can die from heatstroke. A child left alone with the key in the ignition switch can accidentally set the vehicle in motion, possibly injuring themselves or others.

- **Lock all doors and the In-Bed Trunk when your vehicle is not in use.** Children who play in vehicles can accidentally get trapped inside. Teach your children not to play in or around vehicles. Know how to operate the emergency In-Bed Trunk opener and decide if your children should be shown how to use this feature (see page 96 ).
- **Teach your children not to play on the pickup bed.** Opening or closing the tailgate could cause accidental injuries.
- **Keep vehicle keys/remote transmitters out of the reach of children.** Even very young children learn how to unlock vehicle doors, turn on the ignition switch, and open the windows, which can lead to accidental injury or death.

## Protecting Infants



### ***Child Seat Type***

An infant must be properly restrained in a rear-facing, reclining child seat until the child reaches the seat maker's weight or height limit for the seat, and the child is at least one year old.

Only a rear-facing child seat provides proper support for a baby's head, neck, and back.

Two types of seats may be used: a seat designed exclusively for infants, or a convertible seat used in the rear-facing, reclining mode.

***Do not put a rear-facing child seat in a forward-facing position.*** If placed facing forward, an infant could be very seriously injured during a frontal collision.

### ***Child Seat Placement***

A rear-facing child seat can be placed in any seating position in the back seat, but not in the front. ***Never put a rear-facing child seat in the front seat.***

If the passenger's front airbag inflates, it can hit the back of the child seat with enough force to kill or seriously injure an infant.

When properly installed, a rear-facing child seat may prevent the driver or a front passenger from moving their seat as far back as recommended, or from locking their seat-back in the desired position.

It can also interfere with proper operation of the passenger's advanced front airbag system.

CONTINUED



# Protecting Infants and Small Children

In any of these situations, we strongly recommend that you install the child seat directly behind the front passenger's seat, move the seat as far forward as needed, and leave it unoccupied. Or, you may wish to get a smaller rear-facing child seat.

## **⚠ WARNING**

Placing a rear-facing child seat in the front seat can result in serious injury or death during a collision.

Always place a rear-facing child seat in the back seat, not the front.

## Protecting Small Children



### **Child Seat Type**

A child who is at least one year old, and who fits within the child seat maker's weight and height limits, should be restrained in a forward-facing, upright child seat.

Of the different seats available, we recommend those that have a five-point harness system as shown.

We also recommend that a small child use the child seat until the child reaches the weight or height limit for the seat.

### **Child Seat Placement**

We strongly recommend placing a forward-facing child seat in a back seat, not the front.

**Placing a forward-facing child seat in the front seat of a vehicle equipped with a passenger's airbag can be hazardous.** If the vehicle seat is too far forward, or the child's head is thrown forward during a collision, an inflating airbag can strike the child with enough force to cause very serious or fatal injuries.

Even with advanced front airbags that automatically turn the passenger's front airbag off (see page 29), a back seat is the safest place for a small child.

If it is necessary to put a forward-facing child seat in the front, move the vehicle seat as far to the rear as possible, and be sure the child seat is firmly secured to the vehicle and the child is properly strapped in the seat.

## WARNING

Placing a forward-facing child seat in the front seat can result in serious injury or death if the front airbag inflates.

If you must place a forward-facing child seat in front, move the vehicle seat as far back as possible, and properly restrain the child.

## Selecting a Child Seat

When buying a child seat, you need to choose either a conventional child seat, or one designed for use with the lower anchors and tethers for children (LATCH) system.

Conventional child seats must be secured to a vehicle with a seat belt, whereas LATCH-compatible seats are secured by attaching the seat to hardware built into each rear seating position in the back seat.

Since LATCH-compatible child seats are easier to install and reduce the possibility of improper installation, we recommend selecting this style.

We also recommend selecting a LATCH-compatible seat with a rigid, rather than a flexible, anchor (see page 41).

In seating positions and vehicles not equipped with LATCH, a LATCH-compatible child seat can be installed using a seat belt.

Whatever type of seat you choose, to provide proper protection, a child seat should meet three requirements:

1. ***The child seat should meet U.S. or Canadian Motor Vehicle Safety Standard 213.*** Look for FMVSS 213 or CMVSS 213 on the box.
2. ***The child seat should be of the proper type and size to fit the child.*** Rear-facing for infants, forward-facing for small children.

CONTINUED

## Selecting a Child Seat, Installing a Child Seat

---

### 3. *The child seat should fit the vehicle seating position (or positions) where it will be used.*

Before purchasing a conventional child seat, or using a previously purchased one, we recommend that you test the seat in the specific vehicle seating position or positions where the seat will be used.

### **Installing a Child Seat**

After selecting a proper child seat and a good place to install the seat, there are three main steps in installing the seat:

1. ***Properly secure the child seat to the vehicle.*** All child seats must be secured to the vehicle with the lap part of a lap/shoulder belt or with the LATCH (lower anchors and tethers for children) system. A child whose seat is not properly secured to the vehicle can be endangered in a crash.
2. ***Make sure the child seat is firmly secured.*** After installing a child seat, push and pull the seat forward and from side-to-side to verify that it is secure.

A child seat secured with a seat belt should be installed as firmly as possible. However, it does not need to be “rock solid.” Some side-to-side

movement can be expected and should not reduce the child seat’s effectiveness.

If the child seat is not secure, try installing it in a different seating position, or use a different style of child seat that can be firmly secured.

3. ***Secure the child in the child seat.*** Make sure the child is properly strapped in the child seat according to the child seat maker’s instructions. A child who is not properly secured in a child seat can be seriously injured in a crash.

The following pages provide guidelines on how to properly install a child seat. A forward-facing child seat is used in all examples, but the instructions are the same for rear-facing child seats.

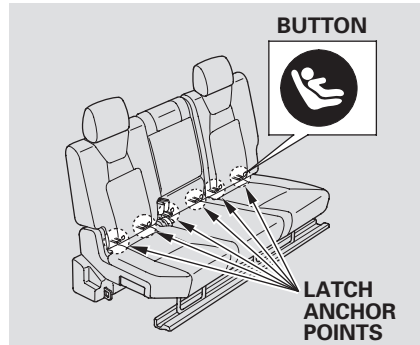
## Installing a Child Seat with LATCH

Your vehicle is equipped with LATCH (lower anchors and tethers for children) at the rear seats.

The lower anchors are located between the seat-back and seat bottom, and are to be used only with a child seat designed for use with LATCH.

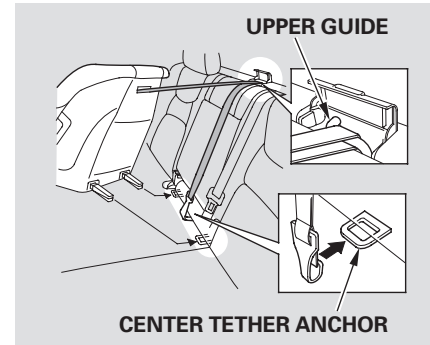
The location of each lower anchor is indicated by a small button above the anchor point.

Whenever using the center tether anchor point, make sure to push down the head restraint to the lowest position, route the strap over the seat-back, then around the upper guide before attaching the tether strap hook to the center tether anchor (see page 46).



To install a LATCH-compatible child seat:

1. If needed, move the seat belt buckle or tongue away from the lower anchors.
2. Make sure there are no objects near the anchors that could prevent a secure connection between the child seat and the anchors.

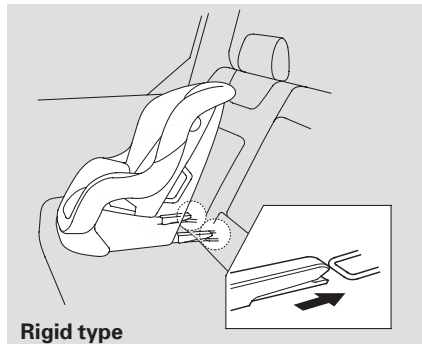


3. *On the center seating position*  
When using the tether strap on the child seat, attach the tether strap hook to the center tether anchor before installing the child seat to the lower anchors for the LATCH system, because the center tether anchor is positioned behind the child seat.

CONTINUED

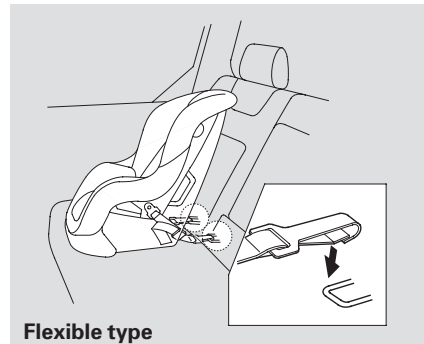
## Installing a Child Seat

Make sure the head restraint is in the lowest position. Lift the cover, then route the tether strap around the upper guide. Route the tether strap downward properly, making sure the strap is not twisted, then attach the strap hook to the center tether anchor.



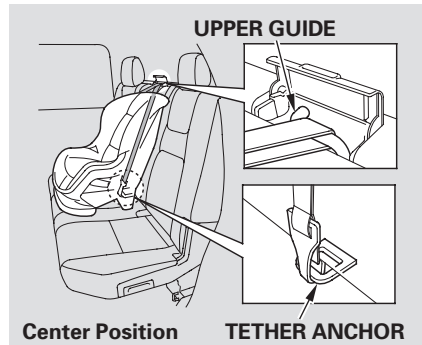
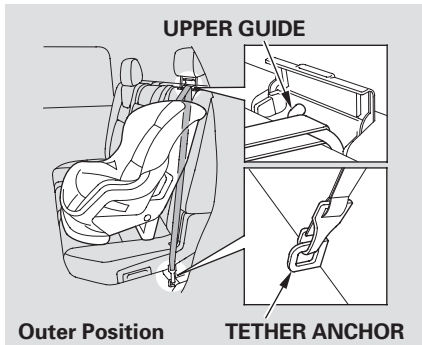
4. Place the child seat on the vehicle seat, then attach the seat to the lower anchors according to the child seat maker's instructions.

Some LATCH-compatible seats have a rigid-type connector as shown above.



Other LATCH-compatible seats have a flexible-type connector as shown above.

5. Whatever type you have, follow the child seat maker's instructions for adjusting or tightening the fit.



6. *On the outer seating position*  
Lift the head restraint (see page [102](#)), then route the tether strap over the seat-back and through the head restraint legs. Lift the cover, then route the tether strap around the upper guide. Route the tether strap downward properly, making sure the strap is not twisted, then attach the strap hook to the tether anchor on the outside of the seat bottom (see page [46](#)).

7. Tighten the strap according to the seat maker's instructions.
8. Push and pull the child seat forward and from side-to-side to verify that it is secure.

# Installing a Child Seat

## Installing a Child Seat with a Lap/Shoulder Belt

When not using the LATCH system, all child seats must be secured to the vehicle with the lap part of a lap/shoulder belt.

In addition, the lap/shoulder belts in all seating positions except the driver's have a lockable retractor that must be activated to secure a child seat.

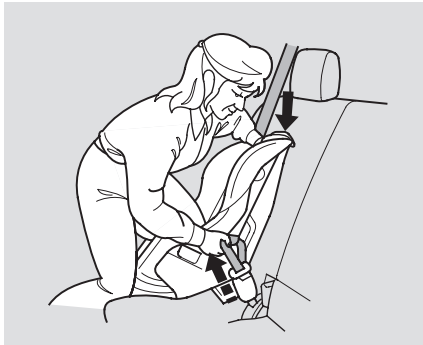
If you place the child seat in the rear center seating position and use the tether strap for additional security, make sure to push down the head restraint to the lowest position and hook the tether strap hook to the anchor before securing the child seat with the lap/shoulder belt. Refer to page 46 for how to route the tether strap properly.



1. With the child seat in the desired seating position, route the belt through the child seat according to the seat maker's instructions, then insert the latch plate into the buckle.



2. To activate the lockable retractor, slowly pull the shoulder part of the belt all the way out until it stops, then let the belt feed back into the retractor.
3. After the belt has retracted, tug on it. If the belt is locked, you will not be able to pull it out. If you can pull the belt out, it is not locked, and you will need to repeat these steps.



4. After confirming that the belt is locked, grab the shoulder part of the belt near the buckle, and pull up to remove any slack from the lap part of the belt. Remember, if the lap part of the belt is not tight, the child seat will not be secure.

To remove slack, it may help to put weight on the child seat, or push on the back of the seat while pulling up on the belt.



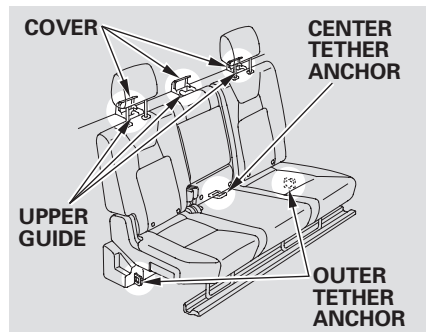
5. Push and pull the child seat forward and from side-to-side to verify that it is secure enough to stay upright during normal driving maneuvers. If the child seat is not secure, unlatch the belt, allow it to retract fully, then repeat these steps.

To deactivate the lockable retractor and remove a child seat, unlatch the buckle, unrout the seat belt, and let the belt fully retract.



# Installing a Child Seat

## Installing a Child Seat with a Tether



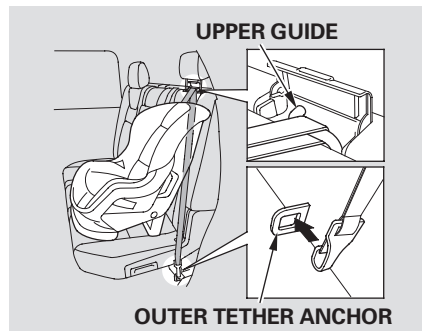
A child seat with a tether can be installed in any seating position in the back seat.

Each outer seating position has a tether anchor at the outside of the seat bottom. The center seating position has a tether anchor between the lower anchors for the LATCH-compatible child seat. Each anchor point is shown above.

When using a tether anchor, always hook the tether strap through the upper guide to route it properly.

Since a tether can provide additional security to the lap/shoulder belt installation, we recommend using a tether whenever one is required or available.

## Using an Outer Tether Anchor



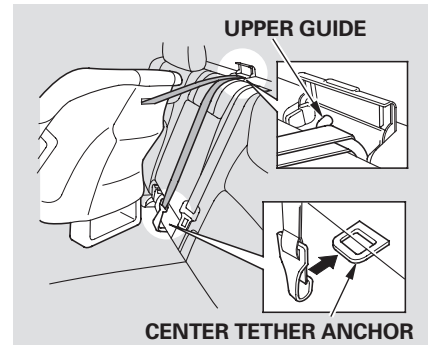
1. After properly securing the child seat (see page 44), lift the head restraint, then route the tether strap over the seat-back and through the head restraint legs.
2. Lift the cover, then hook the tether strap through the upper guide as shown.

3. Route the tether strap downward properly, making sure the strap is not twisted.
4. Attach the tether strap hook to the outer tether anchor on the outside of the seat bottom.
5. Tighten the strap according to the seat maker's instructions.

### ***Using the Center Tether Anchor***

Make sure to attach the tether strap hook to the anchor before installing the child seat, because the tether anchor is positioned behind the child seat.

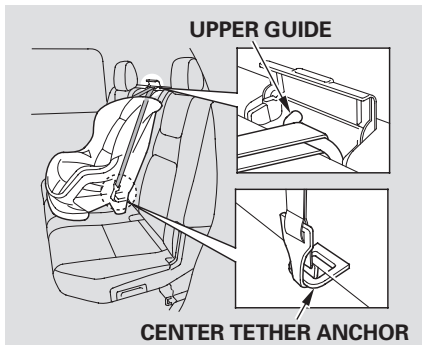
1. Place the child seat on the rear seat.
2. Push down the rear center head restraint to the lowest position.



3. Route the tether strap over the seat-back, lift the cover, then hook the tether strap through the upper guide as shown.
4. Route the tether strap downward properly along the seat-back, making sure the strap is not twisted.

CONTINUED

## Installing a Child Seat



5. Attach the tether strap hook to the center tether anchor between the lower anchors for the LATCH-compatible child seat.

6. Properly secure the child seat (see page 44), then tighten the tether strap according to the seat maker's instructions.

Whenever using the tether strap, make sure to route the strap through the upper guide before attaching the tether strap hook to the tether anchor. If the tether strap is not routed properly and secured, the child seat may not be secured. This could lead to serious injury or death.

When a child reaches the recommended weight or height limit for a forward-facing child seat, the child should sit in a back seat on a booster seat and wear a lap/shoulder belt.

The following pages give instructions on how to check proper seat belt fit, what kind of booster seat to use if one is needed, and important precautions for a child who must sit in front.

## **⚠ WARNING**

Allowing a child age 12 or under to sit in front can result in injury or death if the passenger's front airbag inflates.

If a child must ride in front, move the vehicle seat as far back as possible, use a booster seat if needed, have the child sit up properly and wear the seat belt properly.

## Checking Seat Belt Fit



To determine if a lap/shoulder belt properly fits a child, have the child put on the seat belt, then ask yourself:

1. Does the child sit all the way back against the seat?
2. Do the child's knees bend comfortably over the edge of the seat?

*CONTINUED*

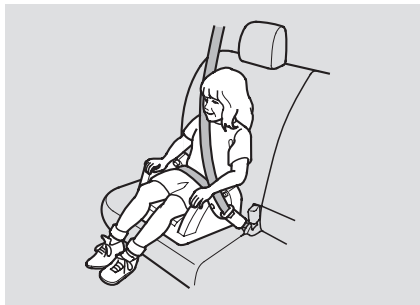
## Protecting Larger Children

---

3. Does the shoulder belt cross between the child's neck and arm?
4. Is the lap part of the belt as low as possible, touching the child's thighs?
5. Will the child be able to stay seated like this for the whole trip?

If you answer yes to all these questions, the child is ready to wear the lap/shoulder belt correctly. If you answer no to any question, the child needs to ride on a booster seat.

### Using a Booster Seat



A child who has outgrown a forward-facing child seat should ride in a back seat and use a booster seat until the lap/shoulder belt fits them properly without the booster.

Some states and Canadian provinces also require children to use a booster seat until they reach a given age or weight (e.g., 6 years or 60 lbs). Be sure to check current laws in the states or provinces where you intend to drive.

Booster seats can be high-back or low-back. Whichever style you select, make sure the booster seat meets federal safety standards (see page 39) and that you follow the booster seat maker's instructions.

If a child who uses a booster seat must ride in front, move the vehicle seat as far back as possible and be sure the child is wearing the seat belt properly.

A child may continue using a booster seat until the tops of their ears are even with the top of the vehicle's or booster's seat-back. A child of this height should be tall enough to use the lap/shoulder belt without a booster seat.

## When Can a Larger Child Sit in Front

The National Highway Traffic Safety Administration and Transport Canada recommend that all children age 12 and under be properly restrained in the back seat.

If the passenger's front airbag inflates in a moderate to severe frontal collision, the airbag can cause serious injuries to a child who is unrestrained, improperly restrained, sitting too close to the airbag, or out of position.

A side airbag also poses risks. If any part of a larger child's body is in the path of a deploying side airbag, the child could receive possibly serious injuries.

Of course, children vary widely. And while age may be one indicator of when a child can safely ride in front, there are other important factors you should consider.

### *Physical Size*

Physically, a child must be large enough for the lap/shoulder belt to properly fit (see pages 14 and 49). If the seat belt does not fit properly, with or without the child sitting on a booster seat, the child should not sit in front.

### *Maturity*

To safely ride in front, a child must be able to follow the rules, including sitting properly, and wearing the seat belt properly throughout a ride.

If you decide that a child can safely ride up front, be sure to:

- Carefully read the owner's manual, and make sure you understand all seat belt instructions and all safety information.
- Move the vehicle seat to the rear-most position.
- Have the child sit up straight, back against the seat, and feet on or near the floor.
- Check that the child's seat belt is properly and securely positioned.
- Supervise the child. Even a mature child sometimes needs to be reminded to fasten the seat belt or sit properly.

## Protecting Larger Children

---

### Additional Safety Precautions

- ***Do not let a child wear a seat belt across the neck.*** This could result in serious neck injuries during a crash.
  - ***Do not let a child put the shoulder part of a seat belt behind the back or under the arm.*** This could cause very serious injuries during a crash. It also increases the chance that the child will slide under the belt in a crash and be injured.
  - ***Two children should never use the same seat belt.*** If they do, they could be very seriously injured in a crash.
- ***Do not put any accessories on a seat belt.*** Devices intended to improve a child's comfort or reposition the shoulder part of a seat belt can make the belt less effective and increase the chance of serious injury in a crash.

Your vehicle's exhaust contains carbon monoxide gas. Carbon monoxide should not enter the vehicle in normal driving if you maintain your vehicle properly and follow the information on this page.

Have the exhaust system inspected for leaks whenever:

- The vehicle is raised for an oil change.
- You notice a change in the sound of the exhaust.
- The vehicle was in an accident that may have damaged the underside.

## **WARNING**


Carbon monoxide gas is toxic. Breathing it can cause unconsciousness and even kill you.

Avoid any enclosed areas or activities that expose you to carbon monoxide.

High levels of carbon monoxide can collect rapidly in enclosed areas, such as a garage. Do not run the engine with the garage door closed. Even with the door open, run the engine only long enough to move the vehicle out of the garage.

With a truck cap installed and the back window open, engine exhaust may enter the vehicle and cause a hazardous condition. Keep the back window tightly closed whenever you drive with a truck cap installed.

If you must sit in your parked vehicle with the engine running, even in an unconfined area, adjust the heating and cooling system/climate control system as follows:

1. Select the fresh air mode.
2. Select the  mode.
3. Turn the fan on high speed.
4. Set the temperature control to a comfortable setting.



# Safety Labels

These labels are in the locations shown. They warn you of potential hazards that could cause serious injury or death. Read these labels carefully.

If a label comes off or becomes hard to read (except for the U.S. dashboard label which may be removed by the owner), contact your dealer for a replacement.

## DASHBOARD

*U.S. models only*

This Vehicle is Equipped with  
Advanced Air Bags

Even with Advanced Air Bags

Children can be killed or seriously injured by the air bag.  
The back seat is the safest place for children.  
Never put a rear-facing child seat in the front.  
Always use seat belts and child restraints.  
See owner's manual for more information about air bags.

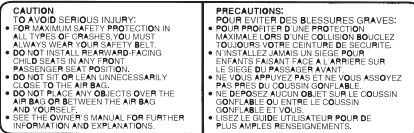
To be removed by owner only.

## SUN VISORS

*U.S. models*



*Canadian models*

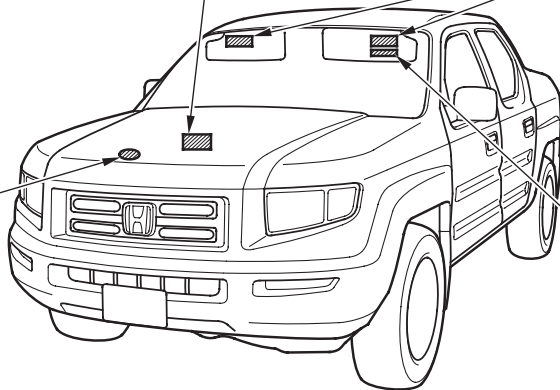


## SUN VISOR

*U.S. models only*



## RADIATOR CAP



## HOOD

*U.S. models*

### ▲ WARNING

Accidental deployment can seriously hurt or kill you.  
Follow Service Manual instructions carefully.

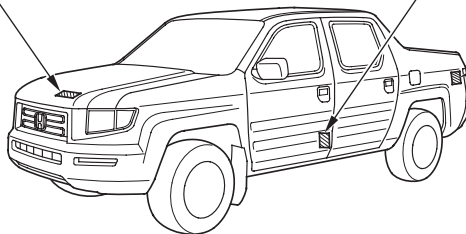
*Canadian models*

### ▲ WARNING

Accidental deployment can seriously hurt or kill you.  
Follow Service Manual instructions carefully.

### ▲ ATTENTION

Un déploiement accidentel risque de causer de graves blessures, voire la mort.  
Suivez attentivement les instructions du manuel de réparation.



## DOORJAMBS

*U.S. models*

### SIDE AIRBAG

- This car is equipped with side airbags in the front seats and side curtain airbags.
- Do not lean against the door.
- See owner's manual for more information.

*Canadian models*

### SIDE AIRBAG

- Cette automobile est équipée de coussins gonflables latéraux dans les sièges avant ainsi que de coussins gonflables latéraux de type rideau.
- Ne vous appuyez pas sur la porte.
- Consultez le Manuel du propriétaire pour en savoir plus.

### COUSSIN GONFLABLE LATÉRAL

- Cette automobile est équipée de coussins gonflables latéraux dans les sièges avant ainsi que de coussins gonflables latéraux de type rideau.
- Ne vous appuyez pas sur la porte.
- Consultez le Manuel du propriétaire pour en savoir plus.

## PICKUP BED

*U.S. models*

### ▲ WARNING

**DO NOT FILL A PORTABLE FUEL CONTAINER IN THE TRUCK BED.**

**STATIC ELECTRICITY CAN IGNITE GAS VAPORS AND YOU CAN BE BURNED.**

**ALWAYS PLACE CONTAINER ON THE GROUND BEFORE FILLING.**

**SEE OWNER'S MANUAL FOR COMPLETE INSTRUCTIONS.**

*Canadian models*

### ▲ WARNING

**DO NOT FILL A PORTABLE FUEL CONTAINER IN THE TRUCK BED.**

**STATIC ELECTRICITY CAN IGNITE GAS VAPORS AND YOU CAN BE BURNED.**

**ALWAYS PLACE CONTAINER ON THE GROUND BEFORE FILLING.**

**SEE OWNER'S MANUAL FOR COMPLETE INSTRUCTIONS.**

### ▲ ATTENTION

**NE PAS REMPLIR UN BÉTON D'ESSENCE DANS L'ESPACE CARGO.**

**L'ÉLECTRICITÉ STATIQUE PEUT ENFLAMMER LES VAPEURS D'ESSENCE ET VOUS BRÛLER.**

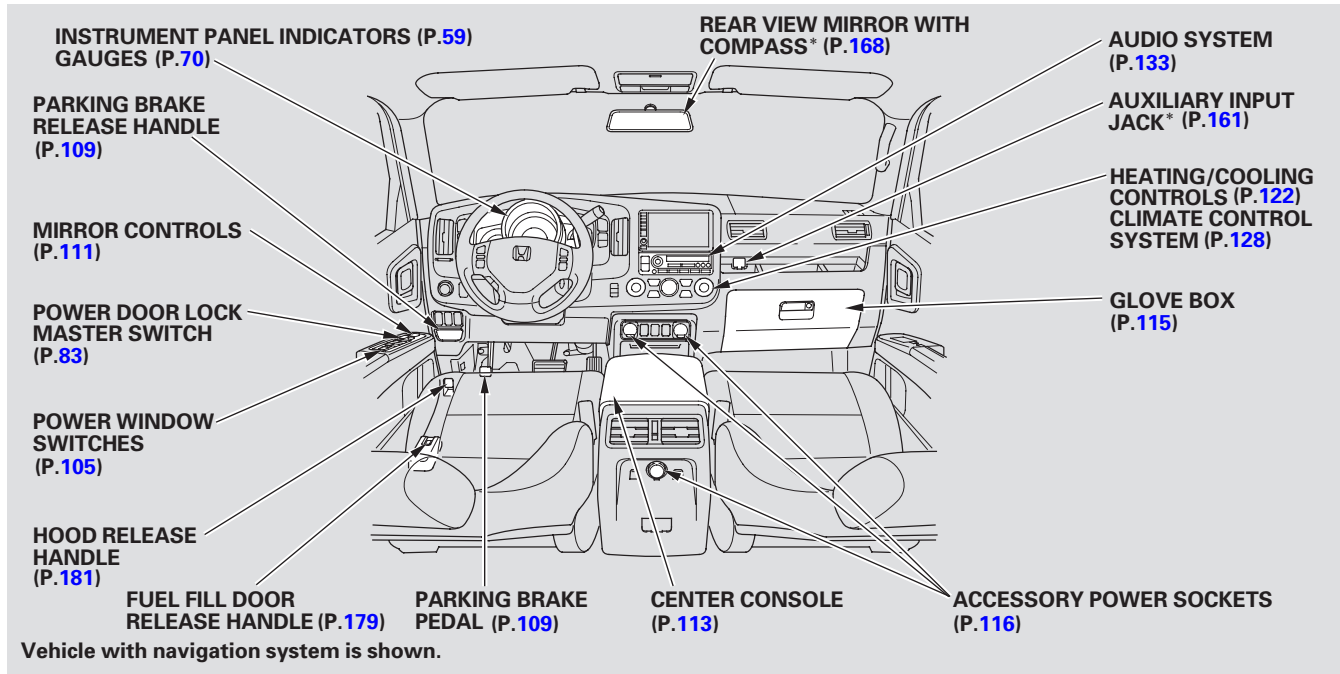
**Toujours mettre le bétou d'essence au sol avant de remplir.**

**Pour plus amples renseignements, consultez le manuel du propriétaire.**

This section gives information about the controls and displays that contribute to the daily operation of your vehicle. All the essential controls are within easy reach.

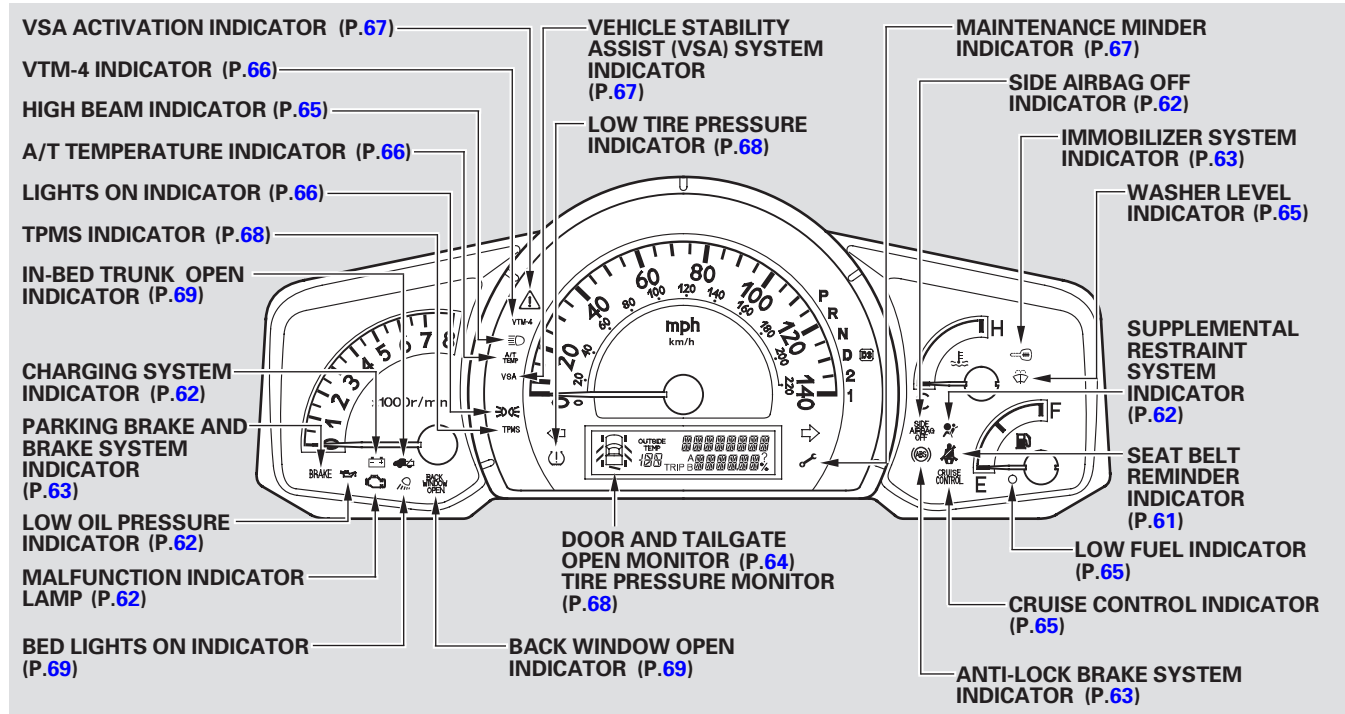
Control Locations .....	58	Interior Convenience Items.....	112
Instrument Panel .....	59	Center Console .....	113
Instrument Panel Indicators.....	61	Console Compartments .....	113
Gauges .....	70	Cargo Hooks .....	114
Controls Near the Steering		Beverage Holders.....	114
Wheel .....	74	Glove Box .....	115
Multi-Control Lever.....	75	Coat Hooks.....	115
Headlight Control Dial.....	76	Sunglasses Holder .....	115
Instrument Panel Brightness.....	78	Accessory Power Sockets.....	116
Hazard Warning Button.....	79	Sun Visor .....	117
Steering Wheel Adjustment .....	79	Vanity Mirror .....	117
Keys.....	80	Interior Lights .....	118
Immobilizer System.....	81	Bed Lights .....	120
Ignition Switch .....	82		
Door Locks .....	83		
Remote Transmitter .....	89		
Dual-Action Tailgate.....	92		
In-Bed Trunk™ .....	95		
Seats .....	98		
Seat Heaters .....	104		
Power Windows .....	105		
Moonroof .....	108		
Parking Brake .....	109		
Mirrors.....	110		

# Control Locations



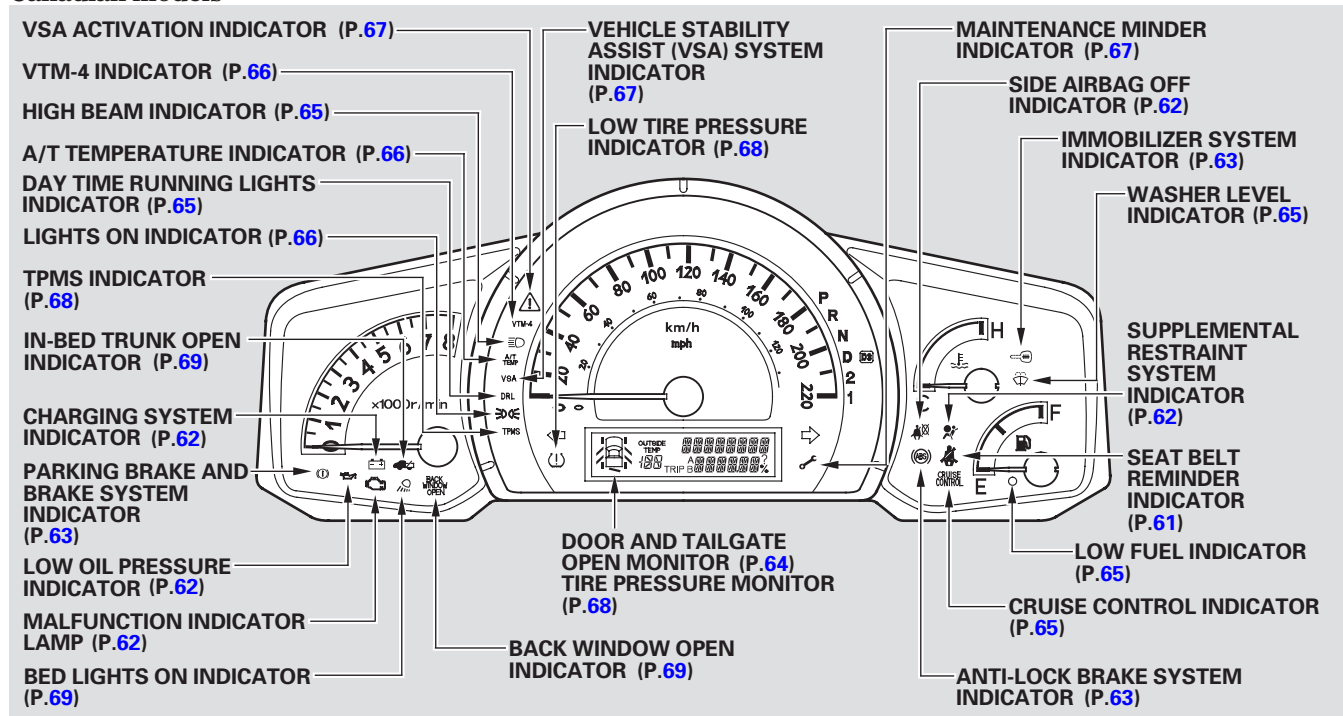
\* If equipped

## U.S. models



# Instrument Panel

## Canadian models



The instrument panel has many indicators to give you important information about your vehicle.



### Seat Belt Reminder Indicator

This indicator comes on when you turn the ignition switch to the ON (II) position. It reminds you and your passengers to fasten your seat belts. A beeper also sounds if you have not fastened your seat belt.

If you turn the ignition switch to the ON (II) position before fastening your seat belts, the beeper sounds, and the indicator flashes. If you do not fasten your seat belts before the beeper stops, the indicator stops flashing but remains on.

If your front passenger does not fasten their seat belt, the indicator comes on about 6 seconds after the ignition switch is turned to the ON (II) position.

If either of you do not fasten your seat belt while driving, the beeper will sound and the indicator will flash again at regular intervals. For more information, see page [18](#).

# Instrument Panel Indicators

---



## Malfunction Indicator Lamp

If this indicator comes on while driving, it means one of the engine's emissions control systems may have a problem. For more information, see page [289](#).



## Low Oil Pressure Indicator

The engine can be severely damaged if this indicator flashes or stays on when the engine is running. For more information, see page [288](#).



## Charging System Indicator

If this indicator comes on when the engine is running, the battery is not being charged. For more information, see page [288](#).



## Supplemental Restraint System Indicator

This indicator comes on for several seconds when you turn the ignition switch to the ON (II) position. If it comes on at any other time, it indicates a potential problem with your front airbags. This indicator will also alert you to a potential problem with your side airbags, passenger's side airbag automatic cutoff system, side curtain airbags, automatic seat belt tensioners, driver's seat position sensor, and the front passenger's weight sensors. For more information, see page [28](#).



## Side Airbag Off Indicator

This indicator comes on when you turn the ignition switch to the ON (II) position. If it comes on at any other time, it indicates that the passenger's side airbag has automatically shut off. For more information, see page [29](#).





This indicator has two functions:

1. It comes on when you turn the ignition switch to the ON (II) position. It is a reminder to check the parking brake. A beeper sounds if you drive with the parking brake not fully released. Driving with the parking brake not fully released can damage the brakes and tires.
2. If it stays on after you have fully released the parking brake while the engine is running, or if it comes on while driving, there could be a problem with the brake system. For more information, see [page 290](#).



### Anti-lock Brake System (ABS) Indicator

This indicator normally comes on for a few seconds when you turn the ignition switch to the ON (II) position, and when the ignition switch is turned to the START (III) position. If it comes on at any other time, there is a problem with the ABS. If this happens, have your vehicle checked at a dealer. With the indicator on, your vehicle still has normal braking ability but no anti-lock brakes. For more information, see [page 208](#).



### Immobilizer System Indicator

This indicator comes on for a few seconds when you turn the ignition switch to the ON (II) position. It will go off if you have inserted a properly-coded ignition key. If it is not a properly-coded key, the indicator will blink and the engine will not start (see [page 81](#)).

This indicator also blinks several times when you turn the ignition switch from the ON (II) position to the ACCESSORY (I) or LOCK (0) position.

## Instrument Panel Indicators

---

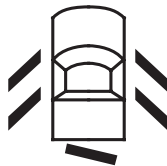


### Turn Signal and Hazard Warning Indicators

The left or right turn signal indicator blinks when you signal a lane change or turn. If an indicator does not blink or blinks rapidly, it usually means one of the turn signal bulbs is burned out (see pages [256](#) and [257](#)). Replace the bulb as soon as possible, since other drivers cannot see that you are signaling.

When you press the hazard warning button, both turn signal indicators and all turn signals on the outside of the vehicle flash.

### Door and Tailgate Open Monitor



This monitor includes two functions; the door open indicator and the tailgate open indicator. This monitor works with the ignition switch in any position.

The specific door indicator comes on in this monitor if any door is not closed tightly.

The tailgate indicator comes on when the tailgate is swung open or if it is not closed completely after you swing it closed.

If the tailgate is swung open or is not closed tightly, you will hear six beeps and see the indicator blinking when you turn the ignition switch to the ON (II) position. The beeper also sounds and the indicator blinks when you move the shift lever out of the Park or neutral position.

The tailgate open indicator does not monitor the tailgate when it is dropped open.

If the driver does not fasten the seat belt and the tailgate is swung open, the seat belt reminder alarm will sound at first, then the tailgate open reminder beeper will sound. For more information on the tailgate, see page [94](#).

**DRL****“Daytime Running Lights” Indicator***Canadian models only*

This indicator comes on when you turn the ignition switch to the ON (II) position with the headlight switch off and the parking brake set. It should go off when you turn on the headlights or release the parking brake. If it comes on at any other time, it means there is a problem with the DRL. There may also be a problem with the high beam headlights.

**CRUISE CONTROL****Cruise Control Indicator**

This indicator comes on when you set the cruise control. See page [165](#) for information on operating the cruise control.

**NOTE:**

The main switch can be left on, even when the system is not in use.

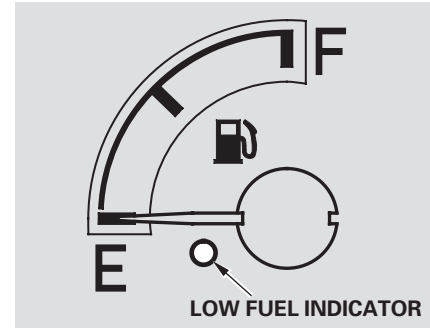
**High Beam Indicator**

This indicator comes on with the high beam headlights. For more information, see page [76](#).

On Canadian models, this indicator comes on with reduced brightness when the daytime running lights (DRL) are on (see page [78](#)).

**Washer Level Indicator**

This indicator comes on when the washer fluid level is low. Add washer fluid when you see this indicator (see page [250](#)).

**Low Fuel Indicator**

This indicator is located in the fuel gauge. It comes on as a reminder that you must refuel soon.



When the indicator comes on, there is about 3.30 U.S. gal (12.5 ℓ) of fuel remaining in the tank before the needle reaches E. There is a small reserve of fuel remaining in the tank when the needle does reach E.

# Instrument Panel Indicators

---



## Lights On Indicator

This indicator reminds you that the exterior lights are on. It comes on when you turn the headlight control dial to either the  or  position.

If you turn the ignition switch to ACCESSORY (I) or LOCK (O) without turning off the headlight control dial, this indicator remains on. A reminder chime will also sound when you open the driver's door.



## A/T Temperature Indicator

This indicator monitors the temperature of the automatic transmission fluid. It should come on for a few seconds when you turn the ignition switch to the ON (II) position. If it comes on while driving, it means the transmission fluid temperature is too high. Pull to the side of the road when it is safe, shift to Park, and let the engine idle until the indicator goes out.

### NOTICE

*Continuing to drive with the A/T temperature indicator on may cause serious damage to the transmission.*



## VTM-4 Indicator

This indicator normally comes on for a few seconds when you turn the ignition switch to the ON (II) position. If it comes on at any other time, there is a problem in the 4WD system. Take the vehicle to your dealer to have it checked.

If the indicator blinks while driving, the VTM-4 fluid temperature is too high. Pull to the side of the road when it is safe, shift to Park, and let the engine idle until the indicator goes out.

### NOTICE

*Continuing to drive with the VTM-4 indicator blinking may cause serious damage to the system.*

## **Vehicle Stability Assist (VSA) System Indicator**

This indicator normally comes on for a few seconds when you turn the ignition switch to the ON (II) position.

If it comes on and stays on at any other time, or if it does not come on when you turn the ignition switch to the ON (II) position, there is a problem with the VSA system. Take your vehicle to a dealer to have it checked. Without VSA, your vehicle still has normal driving ability, but will not have VSA traction and stability enhancement. See page [210](#) for more information on the VSA system.

## **VSA Activation Indicator**

This indicator normally comes on for a few seconds when you turn the ignition switch to the ON (II) position. For more information, see page [210](#).

This indicator has three functions:

1. It comes on as a reminder that you have turned off the vehicle stability assist (VSA) system.
2. It flashes when VSA is active (see page [210](#) ).
3. It comes on along with the VSA system indicator if there is a problem with the VSA system.

## **Maintenance Minder Indicator**

This indicator reminds you that it is time to take your vehicle in for scheduled maintenance. The maintenance main items and sub items will be displayed in the information display. See page [235](#) for more information on the maintenance minder.

This indicator goes off when your dealer resets it after completing the required maintenance service.

# Instrument Panel Indicators

---



## Low Tire Pressure Indicator

This indicator normally comes on for a few seconds when you turn the ignition switch to the ON (II) position. If it comes on while driving, it indicates that one or more of your vehicle's tires are extremely low on pressure.

If this happens, pull to the side of the road when it is safe, check which tire has lost the pressure on the tire pressure monitor, and determine the cause. If it is because of a flat tire, replace the flat tire with the compact spare (see page [274](#)), and have the flat tire repaired as soon as possible. If two or more tires are underinflated, call a professional towing service (see page [296](#)). Refer to page [204](#) for more information.



## Tire Pressure Monitor

This monitor normally comes on for a few seconds when you turn the ignition switch to the ON (II) position. While driving, the appropriate tire indicator will come on, along with the low tire pressure indicator, if a tire is extremely underinflated or has suddenly lost pressure. See **Low Tire Pressure Indicator** for what to do if this indicator comes on.

**TPMS**

## Tire Pressure Monitoring System (TPMS) Indicator

This indicator normally comes on for a few seconds when you turn the ignition switch to the ON (II) position.

If this indicator comes on and stays on at any other time, or if it does not come on when you turn the ignition switch to the ON (II) position, there is a problem with the TPMS. With this indicator on, the low tire pressure indicator and the tire pressure monitor will not come on when a tire loses pressure. Take the vehicle to your dealer to have the system checked.



## Bed Lights On Indicator

This indicator reminds you that the bed lights are on. With the shift lever in the Park position, they come on when you push the light switch on the dashboard, swing open the tailgate, or open the In-Bed Trunk.

If you turn the ignition switch to the ACCESSORY (I) or LOCK (0) position without turning off the bed lights, this indicator will remain on, and then go off after 20 minutes. See page [120](#) for more information.



## In-Bed Trunk Open Indicator

This indicator reminds you that the In-Bed Trunk is open. If you do not close it, the indicator stays on for about 3 minutes. See page [95](#) for more information.

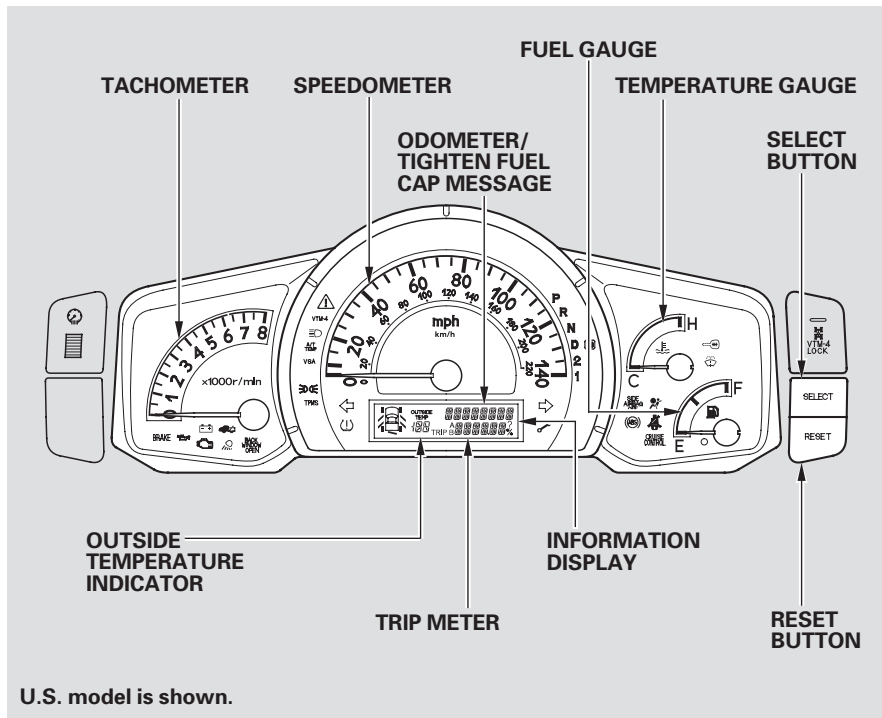


## Back Window Open Indicator

This indicator reminds you that the back window is not completely closed when you turn the ignition switch from the ON (II) position to the ACCESSORY (I) or the LOCK (0) position. With the ignition switch in the ACCESSORY (I) position, it goes off after about 30 seconds. With the ignition switch in the LOCK (0) position, it goes off after about 3 minutes.

If you remove the ignition key, turn off the lights, and open the driver's door without closing the back window, you will hear five beeps and see the indicator blink. If you do not close the back window before the beeper stops, the indicator stops blinking but remains on. It will go off after about 3 minutes. See page [106](#) for more information.

# Gauges



To switch the information display between the odometer, trip meter and outside temperature (if equipped), and engine oil life and maintenance service items, press the **SELECT** button repeatedly.

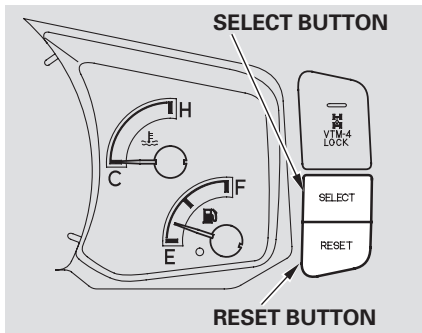
## Odometer

This shows the total distance your vehicle has been driven. It measures miles in U.S. models and kilometers in Canadian models. It is illegal under U.S. federal law and Canadian provincial regulations to disconnect, reset, or alter the odometer with the intent to change the number of miles or kilometers indicated.



### Trip Meter

This meter shows the number of miles (U.S.) or kilometers (Canada) driven since you last reset it.



There are two trip meters: TRIP A and TRIP B. Switch between these displays by pressing the SELECT button repeatedly. Each trip meter works independently, so you can keep track of two different distances.

When you turn the ignition switch to the ON (II) position, the meter you last selected is displayed.

To reset a trip meter, display it, and then press and hold the RESET button until the number resets to "0.0". Both trip meters will reset if the vehicle's battery goes dead or is disconnected. And both continue to track mileage, even when only one is displayed.

### Fuel Gauge

This shows how much fuel you have. It may show slightly more or less than the actual amount. The needle returns to the bottom after you turn off the ignition.

#### NOTICE

*Avoid driving with an extremely low fuel level. Running out of fuel could cause the engine to misfire, damaging the catalytic converter.*

## Temperature Gauge

This shows the temperature of the engine's coolant. During normal operation, the pointer should rise to about the middle of the gauge. In severe driving conditions, the pointer may rise to the upper zone. If it reaches the red (hot) mark, pull safely to the side of the road. For instructions and precautions on checking the engine's cooling system, see page [286](#).

## Outside Temperature Indicator

*If equipped*

This indicator displays the outside temperature in Fahrenheit (U.S. models) or Centigrade (Canadian models).

The temperature sensor is in the front bumper. Therefore, the temperature reading can be affected by heat reflection from the road surface, engine heat, and the exhaust from surrounding traffic. This can cause an incorrect temperature reading when your speed is under 19 mph (30 km/h).

The sensor delays the indicator update until it reaches the correct outside temperature. This may take several minutes.

If the outside temperature is incorrectly displayed, you can adjust it up  $\pm 5^{\circ}\text{F}$  in U.S. models ( $\pm 3^{\circ}\text{C}$  in Canadian models) warmer or cooler.

NOTE: The temperature must be stabilized before doing this procedure.

To adjust the outside temperature indicator, make sure the outside temperature indicator is shown in the display, then press and hold the RESET button for 10 seconds (the TRIP A or B is also reset). The following sequence will appear for 1 second each: 0, 1, 2, 3, 4, 5, -5, -4, -3, -2, -1, 0 (U.S.) or 0, 1, 2, 3, -3, -2, -1, 0 (Canada).

When it reaches the desired value, release the RESET button. You should see the new outside temperature displayed.

In certain weather conditions, temperature readings near freezing ( $32^{\circ}\text{F}$ ,  $0^{\circ}\text{C}$ ) could mean that ice is forming on the road surface.

**Tighten Fuel Cap Message**

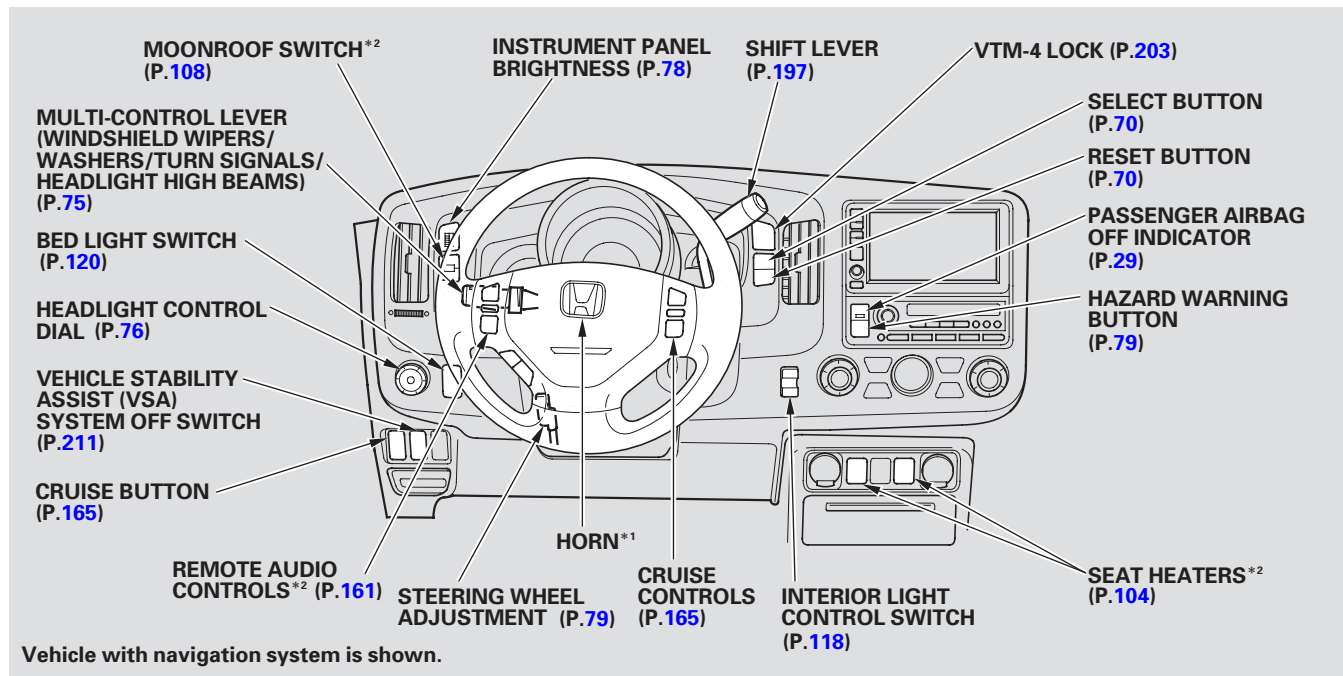
If your fuel fill cap is loose or missing, a “TIGHTEN FUEL CAP” message appears on the information display after you start the engine. Turn the engine off, and confirm the fuel cap is installed. If it is, loosen it, then retighten it until it clicks at least once. When you restart the engine, the message appears again. The message goes off after several days of normal driving once you tighten or replace the fuel cap. To scroll to another message, press the select button.

If the system still detects a leak in your vehicle's evaporative emissions system, the malfunction indicator lamp (MIL) comes on. If the fuel cap was not already tightened, turn the engine off, and check or retighten the fuel cap until it clicks at least once. The MIL goes off after several days of normal driving once the cap is tightened or replaced. If the MIL does not go off, have your vehicle inspected by a dealer. For more information, see page [289](#).

**Maintenance Minder Display**

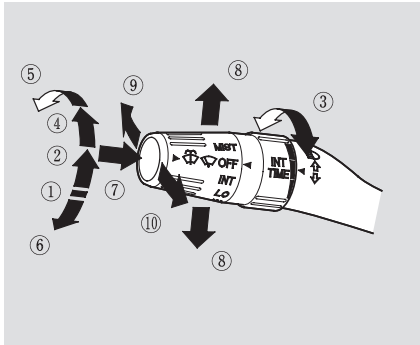
The information display in the instrument panel shows you the engine oil life and maintenance service items when the ignition switch is in the ON (II) position. This information helps to keep you aware of the periodic maintenance your vehicle needs for continued trouble-free driving. Refer to page [235](#) for more information.

# Controls Near the Steering Wheel



\*1 To use the horn, press the pad around the “H” logo.

\*2 If equipped.



- 1.OFF
- 2.INT: Intermittent
- 3.INT TIME ring
- 4.LO: Low speed
- 5.HI: High speed
- 6.MIST
- 7.Windshield washer (spray nozzles)
- 8.Turn signal
- 9.High beams
- 10.Flash high beams

The multi-control lever has many functions, including windshield wipers and washers, turn signals, headlight high beams, and headlight high beam flashing.

To select a position, turn the rotary switch, push the button on the end of the lever, or push the lever up, down, forward, or backward.

**OFF:** The wipers are not activated.

**INT:** The length of the wiper interval is varied automatically according to the vehicle's speed.

Vary the delay by turning the INT TIME ring. If you turn it to the shortest delay, the wipers change to low speed when the vehicle speed exceeds 12 mph (20 km/h).

**LO** – The wipers run at low speed.

**HI** – The wipers run at high speed.

**MIST:** The wipers run at high speed until you release the lever.

**Windshield Washer:** Push the button on the end of the multi-control lever. The washers spray until you release the button. The wipers run at low speed, then complete one more sweep after you release the button.

# Multi-Control Lever, Headlights

## *Automatic Heated Wiper Zone*

Your vehicle has heating wires at the bottom of the windshield to help heat the wiper blades and the windshield. If the outside temperature is near freezing, the heater turns on automatically when you turn the ignition switch to the ON (II) position. The heater turns off automatically when the outside temperature is above freezing.

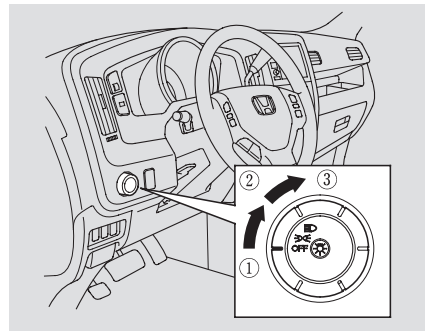
This function helps to increase wiper performance when the wiper arms sit in the parked position in snowy or icy conditions.

**Turn Signal** — Push down on the multi-control lever to signal a left turn and up to signal a right turn. To signal a lane change, push lightly on the lever and hold it. The lever will return to center when you release it or complete a turn.

**High Beams** — To turn on the high beams, push the multi-control lever forward until you hear a click. The blue high beam indicator will come on (see page 65 ). Pull the lever back to return to the low beams.


To flash the high beams, pull the lever back lightly, then release it. The high beams will stay on as long as you hold the lever back.

## Headlight Control Dial



1. OFF
2. Parking and indicator lights
3. Headlights



**Headlights** – Turning the dial to the “ ” position turns on the parking lights, taillights, instrument panel lights, and license plate lights.

Turning the dial to the “ ” position turns on the headlights. If you leave the lights on and remove the key from the ignition switch, you will hear a reminder chime when you open the driver’s door.

When the dial is in the “ ” or “ ” position, the lights on indicator comes on as a reminder. This indicator stays on if you leave the lights on and turn the ignition switch to the ACCESSORY (I) or LOCK (0) position.

## **Automatic Lighting Off Feature**

The automatic lighting off feature turns off the headlights, all other exterior lights, and the instrument panel lights within 15 seconds of removing the key from the ignition switch and closing the driver’s door.

This feature activates if you leave the headlight control dial in the “ ” or “ ” position, remove the key, then open and close the driver’s door.

If you remove the key from the ignition switch with the headlight control dial on, but do not open the door, the lights will turn off after 10 minutes.

The lights will turn on again when you unlock or open the driver’s door. If you unlock the door, but do not open it within 15 seconds, the lights go off. With the driver’s door open, you will hear a lights-on reminder chime.

# Headlights, Instrument Panel Brightness

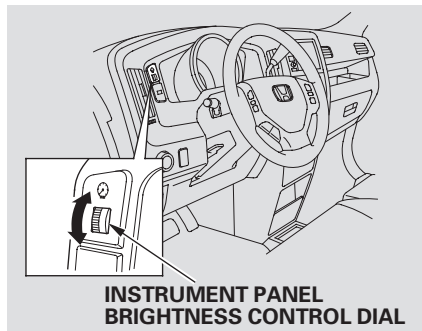
## Daytime Running Lights

*Canadian models only*

With the headlight control dial off, the high beam headlights and the high beam indicator come on with reduced brightness when you turn the ignition switch to the ON (II) position and release the parking brake. They remain on until you turn the ignition switch off, even if you set the parking brake.

The headlights revert to normal operation when you turn them on with the headlight control dial.

## Instrument Panel Brightness



The dial on the instrument panel controls the brightness of the instrument panel lights and the console compartment light. Turn the dial to adjust the brightness.

The instrument panel will illuminate with reduced brightness when you unlock and open the driver's door. The brightness will increase and go to a normal level when you insert the key in the ignition switch.

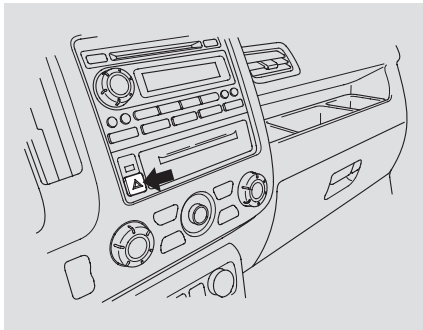
If you do not insert the key in the ignition switch after opening the driver's door, the illumination turns off about 30 seconds after you close the door.

If you insert the key but do not turn the ignition switch to the ON (II) position, the illumination turns off in about 10 seconds.

The instrument panel brightness is dimmed when you turn the headlight control dial to the "☞☞" or "☞☞" position to reduce glare at night. To cancel it, turn the instrument panel brightness control dial upward fully until you hear a click.



## Hazard Warning Button



Push the button to turn on the hazard warning lights (four-way flashers). This causes all four outside turn signals and both turn indicators in the instrument panel to flash. Use the hazard warning lights if you need to park in a dangerous area near heavy traffic, or if your vehicle is disabled.

## Steering Wheel Adjustment

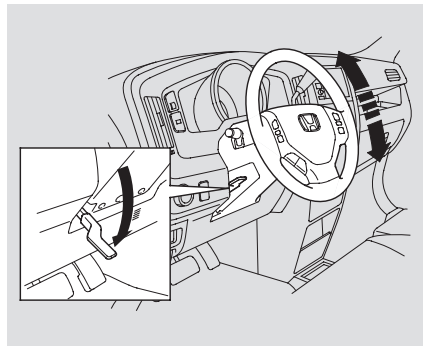
Make any steering wheel adjustment before you start driving.

### **⚠ WARNING**

Adjusting the steering wheel position while driving may cause you to lose control of the vehicle and be seriously injured in a crash.

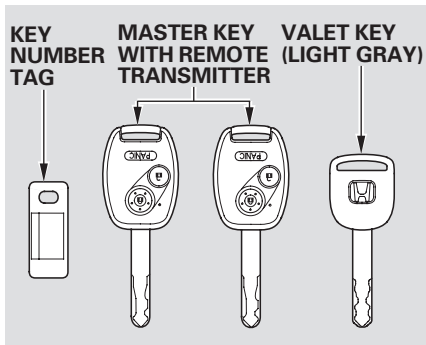
Adjust the steering wheel only when the vehicle is stopped.

1. Push the lever on the left side of the steering column all the way down.
2. Move the steering wheel so it points toward your chest, not toward your face. Make sure you can see the instrument panel gauges and indicators.



3. Push the lever up to lock the steering wheel in position.
4. Make sure you have securely locked the steering wheel in place by trying to move it up and down.

# Keys



The master key fits all the locks on your vehicle. The valet key works only in the ignition and the driver's door lock. You can keep the glove box locked when you leave your vehicle and the valet key at a parking facility.

You can also keep the In-Bed Trunk locked by using the main switch in the glove box (see page [97](#) ).

You should have received a key number tag with your keys. You will need this key number if you ever have to get a lost key replaced. Use only Honda-approved key blanks.

These keys contain electronic circuits that are activated by the immobilizer system. They will not work to start the engine if the circuits are damaged.

- Protect the keys from direct sunlight, high temperature, and high humidity.
- Do not drop the keys or set heavy objects on them.
- Keep the keys away from liquids. If they get wet, dry them immediately with a soft cloth.

The immobilizer system protects your vehicle from theft. If an improperly-coded key (or other device) is used, the engine's fuel system is disabled.

When you turn the ignition switch to the ON (II) position, the immobilizer system indicator should come on for a few seconds, then go off. If the indicator starts to blink, it means the system does not recognize the coding of the key. Turn the ignition switch to the LOCK (0) position, remove the key, reinsert it, and turn the ignition switch to the ON (II) position again.

The system may not recognize your key's coding if another immobilizer key or other metal object (i.e. key fob) is near the ignition switch when you insert the key.

If the system repeatedly does not recognize the coding of your key, contact your dealer.

Do not attempt to alter this system or add other devices to it. Electrical problems could result that may make your vehicle undrivable.

If you have lost your key and cannot start the engine, contact your dealer.

*As required by the FCC:*

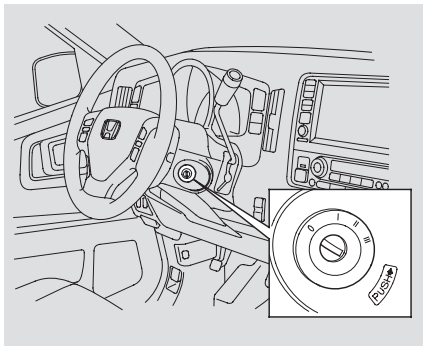
*This device complies with Part 15 of the FCC rules. Operation is subject to the following two conditions: (1) This device may not cause harmful interference, and (2) this device must accept any interference received, including interference that may cause undesired operation.*

*Changes or modifications not expressly approved by the party responsible for compliance could void the user's authority to operate the equipment.*

*This device complies with Industry Canada Standard RSS-210.*

*Operation is subject to the following two conditions: (1) this device may not cause interference, and (2) this device must accept any interference that may cause undesired operation of the device.*

# Ignition Switch



The ignition switch has four positions: LOCK (0), ACCESSORY (I), ON (II), and START (III).

**LOCK (0)** — You can insert or remove the key only in this position. To turn the key, the shift lever must be in Park, and you must push the key in slightly.

If the front wheels are turned, the anti-theft lock may make it difficult to turn the key. Firmly turn the steering wheel to the left or right as you turn the key.

**ACCESSORY (I)** — You can operate the audio system and the accessory power sockets in this position.

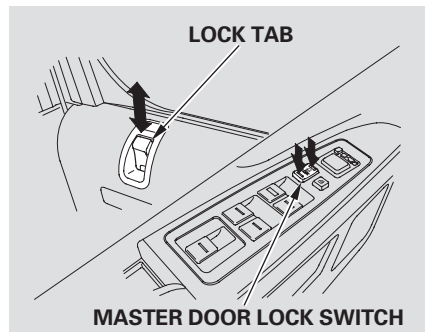
**ON (II)** — This is the normal key position when driving. Several of the indicators on the instrument panel come on as a test when you turn the ignition switch from the ACCESSORY (I) to the ON (II) position.

**START (III)** — Use this position only to start the engine. The switch returns to the ON (II) position when you let go of the key.

You will hear a reminder beeper if you leave the key in the ignition switch in the LOCK (0) or the ACCESSORY (I) position and open the driver's door. Remove the key to turn off the beeper.

The shift lever must be in Park (P) before you can remove the key from the ignition switch.

## Power Door Locks



To lock all doors and the In-Bed Trunk (the tailgate does not lock), push the front of the master door lock switch on either front door, press the lock tab down on the driver's door, or use the key on the outside lock on the driver's door.

Pushing the rear of either master door lock switch will unlock all of the doors and the In-Bed Trunk.

The lock tab on each door locks and unlocks that door. Pulling up on the driver's door lock tab only unlocks the driver's door. To unlock the driver's door and the In-Bed Trunk from the outside, turn the key and release it. If you turn it again, all the doors unlock.

You can open or close the side windows by using the key in the driver's door (see page [107](#)).

To lock any passenger's door when getting out of the vehicle, push the lock tab down, and close the door. To lock the driver's door, remove the key from the ignition switch, and push the lock tab down, or push the front of the master switch, then close the door.

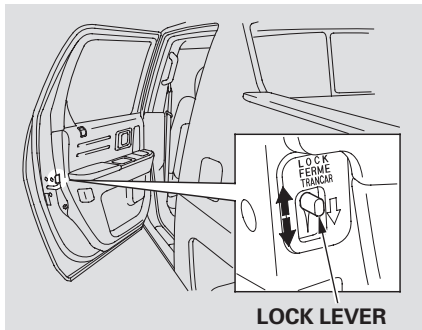
### *Lockout Prevention*

With the driver's door open and the key in the ignition, both master door lock switches will not lock, but they will unlock. The lock feature is not disabled if the driver's door is closed. Pushing the front of the switch on the open passenger's door will lock all doors and the In-Bed Trunk.

This vehicle has auto door locking/unlocking features. See page [84](#) for how to set them.

# Door Locks

## Childproof Door Locks



The childproof door locks are designed to prevent children seated in the rear from accidentally opening the rear doors. Each rear door has a lock lever near the edge. With the lever in the LOCK position, the door cannot be opened from inside regardless of the position of the lock tab. To open the door, pull the lock tab up, and use the outside door handle.

## Automatic (Auto) Door Locking/Unlocking

Your vehicle has customizable settings for the doors to automatically lock and unlock. Make all settings before you start driving.

With the auto door locking and unlocking, the In-Bed Trunk also locks and unlocks (the tailgate does not lock).

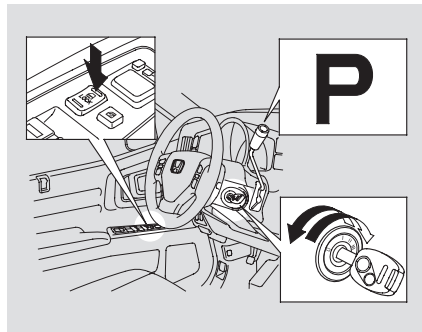
### Auto Door Locking

The auto door locking feature has three possible settings:

- The doors lock whenever you move the shift lever out of the Park (P) position.
- The doors lock when the vehicle speed reaches 9 mph (15 km/h).
- The auto door locking is deactivated all the time.

## To program the Park Lock mode:

*Locks all doors when the shift lever is moved out of Park (P).*

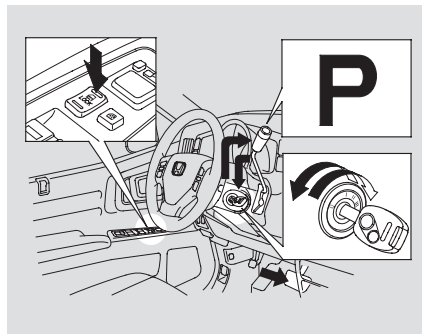


1. Make sure the shift lever is in the Park (P) position.
2. Apply the parking brake, and close the driver's door.
3. Turn the ignition switch to the ON (II) position (do not start the engine).

4. Push and hold the front of the master door lock switch on the driver's door. You will hear a clicking sound, and after about 5 seconds, you will hear another clicking sound.
5. Release the switch, and turn the ignition switch to the ACCESSORY (I) position within 5 seconds.

**To program the Drive Lock mode:**

*Locks all doors when the vehicle's speed reaches about 9 mph (15 km/h).*



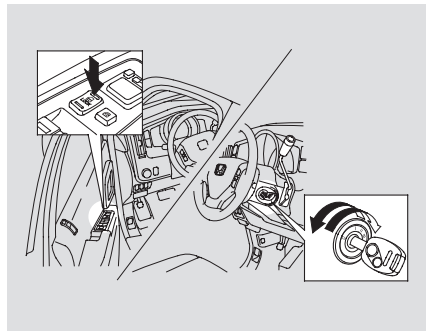
1. Make sure the shift lever is in the Park (P) position.
2. Apply the parking brake, and close the driver's door.
3. Turn the ignition switch to the ON (II) position (do not start the engine).

4. Push and hold the brake pedal, then move the shift lever out of Park (P).
5. Push and hold the front of the master door lock switch on the driver's door. You will hear a clicking sound, and after about 5 seconds, you will hear another clicking sound.
6. Release the switch, and turn the ignition switch to the ACCESSORY (I) position within 5 seconds.
7. Move the shift lever to PARK (P).

CONTINUED

# Door Locks

## *To turn off the Auto Lock modes:*



1. Make sure the shift lever is in the Park (P) position.
2. Apply the parking brake, and *open* the driver's door.
3. Turn the ignition switch to the ON (I) position (do not start the engine).

4. Push and hold the front of the master door lock switch on the driver's door. You will hear a clicking sound after about 5 seconds.
5. Release the switch, and turn the ignition switch to the ACCESSORY (I) position within 5 seconds.

## **Auto Door Unlocking**

The auto door unlocking feature has three modes (Park Unlock, Ignition Switch, and Deactivated), with five possible settings:

### **Park Unlock mode:**

- The driver's door and then In-Bed Trunk unlocks whenever you move the shift lever to the PARK (P) position.
- All doors and the In-Bed trunk unlocks whenever you move the shift lever to the PARK (P) position.

### **Ignition Switch mode:**

- The driver's door and the In-Bed Trunk unlocks whenever you turn the ignition switch to the LOCK (0) position.
- All doors and the In-Bed Trunk unlocks whenever you turn the ignition switch to the LOCK (0) position.

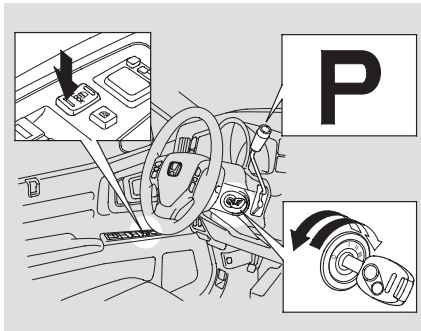
### **Deactivated:**

- The auto door unlocking settings are deactivated.



**To program the Park Unlock mode:  
Unlock mode:**

*Unlocks driver's door or all doors when the shift lever is moved to Park (P).*



1. Make sure the shift lever is in Park (P), and close the driver's door.
2. Turn the ignition switch to the ON (II) position.

\* If equipped

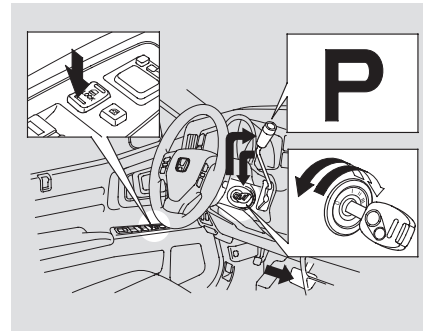
3. Push and hold the rear of the master door lock switch on the driver's door. You will hear a clicking sound. Continue to hold down the switch:

- Until you hear a second click (after about 5 seconds) to activate the driver's door unlock feature.
- Or, until you hear a third click (after about 10 seconds) to activate the all door unlock feature.

4. Release the switch, and turn the ignition switch to the ACCESSORY (I) position within 5 seconds.

**To program the Ignition Switch  
Unlock mode:**

*Unlocks driver's door or all doors when the ignition switch is out of the ON (II) position.\**



1. Make sure the shift lever is in the Park (P) position.
2. Apply the parking brake, and close the driver's door.
3. Turn the ignition switch to the ON (II) position (do not start the engine).

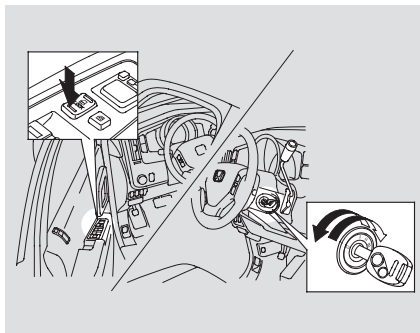
CONTINUED

## Door Locks

---

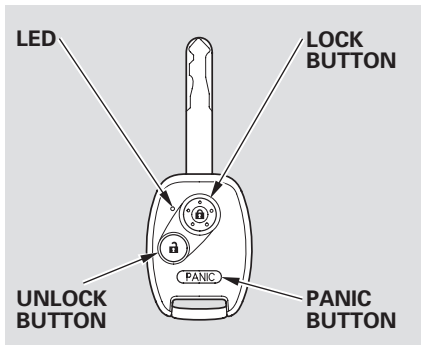
4. Push and hold the brake pedal, then move the shift lever out of Park (P).
5. Push and hold the rear of the master door lock switch on the driver's door. You will hear a clicking sound. Continue to hold down the switch:
  - Until you hear a second click (after about 5 seconds) to activate the driver's door unlock feature.
  - Or, until you hear a third click (after about 10 seconds) to activate the all door unlock feature.
6. Release the switch, and turn the ignition switch to the ACCESSORY (I) position within 5 seconds.
7. Move the shift lever to PARK (P).

### **To turn off the door unlock modes:**



1. Make sure the shift lever is in the Park (P) position.
2. Apply the parking brake, and *open* the driver's door.
3. Turn the ignition switch to the ON (II) position (do not start the engine).

4. Push and hold the rear of the master door lock switch on the driver's door. You will hear a clicking sound, and after about 5 seconds, you will hear another clicking sound.
5. Release the switch, and turn the ignition switch to the ACCESSORY (I) position within 5 seconds.



**LOCK** — Press this button once to lock all doors and the In-Bed Trunk. Some exterior and interior lights will flash once.

When you push LOCK twice within 5 seconds, you will hear a horn to verify that the doors and In-Bed Trunk are locked and the security system (if equipped) has set. This button does not work if any door is not fully closed or the key is in the ignition switch.

**UNLOCK** — Press this button once to unlock the driver's door and the In-Bed Trunk. Push it twice to unlock the remaining doors. If you press the button twice and hold for 3–5 seconds, the side windows will roll down (see page 107).

Some exterior and interior lights will flash twice each time you push the button.

When you press the UNLOCK button, the front and rear individual map lights, depending on the interior light control switch position, will come on (see page 118). If you do not open any door, the lights stay on for about 30 seconds, then go out. If you relock the doors and the In-Bed Trunk with the remote transmitter before 30 seconds have elapsed, the lights will go off immediately.

If you do not open any door within 30 seconds, the doors automatically relock, and the security system sets (if equipped). The UNLOCK button does not work when the key is in the ignition switch.

You can also open all side windows from outside the vehicle with the remote transmitter (see page 107).

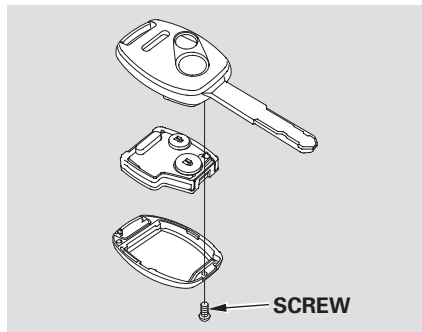
**PANIC** — Press and hold this button for about 1 second to attract attention; the horn will sound and the exterior lights will flash for about 30 seconds. To cancel panic mode, press any other button on the remote transmitter, or turn the ignition switch to the ON (II) position. Panic mode does not work when the key is in the ignition switch.

# Remote Transmitter

## Remote Transmitter Care

- Avoid dropping or throwing the transmitter.
- Protect the transmitter from extreme temperature.
- Do not immerse the transmitter in any liquid.
- If you lose a transmitter, the replacement needs to be reprogrammed by your dealer.

## Replacing the Transmitter Battery

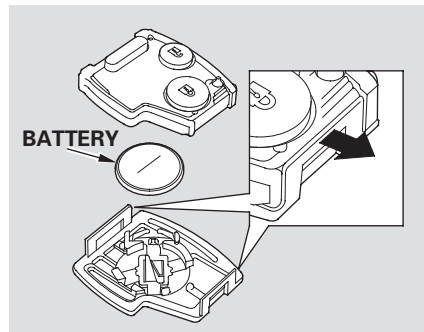


If it takes several pushes on the button to lock or unlock the doors, replace the battery as soon as possible.

Battery type: CR1616

To replace the battery:

1. Remove the screw at the base of the transmitter with a small Phillips-head screwdriver.



2. Separate the transmitter by prying its middle seam with your fingernail.
3. Inside the transmitter, separate the inner cover from the keypad by releasing the two tabs on the cover.

4. Remove the old battery from the back of the inner cover, and insert a new battery into the back of the cover with the + side facing down.
5. Install the parts in reverse order.

*As required by the FCC:*

*This device complies with Part 15 of the FCC rules. Operation is subject to the following two conditions: (1) This device may not cause harmful interference, and (2) this device must accept any interference received, including interference that may cause undesired operation.*

*Changes or modifications not expressly approved by the party responsible for compliance could void the user's authority to operate the equipment.*

*This device complies with Industry Canada Standard RSS-210.*

*Operation is subject to the following two conditions: (1) this device may not cause interference, and (2) this device must accept any interference that may cause undesired operation of the device.*

## Dual-Action Tailgate

You can open the tailgate two different ways:

- Drop it open by using the upper handle.
- Swing it open by using the right lower handle.

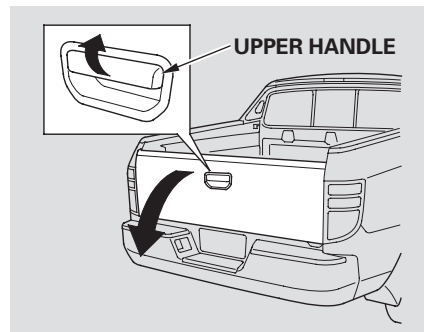
### NOTE:

As a safety feature, the upper handle is disabled if you do not fully close the tailgate after it is swung open. And the lower handle is disabled if you do not fully close the tailgate after it is dropped open.

Before you open the tailgate a different way (dropped open, and then swung open), make sure it is fully closed.

Make sure all passengers and objects are clear of the tailgate before opening and closing it, and make sure the tailgate is closed securely before driving.

### To Drop Open the Tailgate

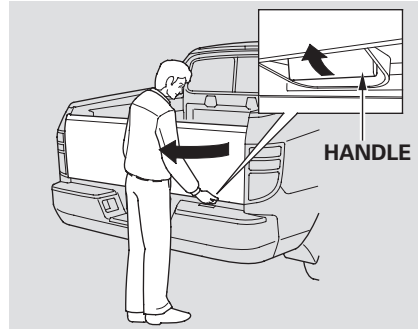


To drop open the tailgate, pull up the upper handle, then pull down the tailgate. To close the tailgate, push firmly up until it latches.

The dropped open tailgate can be used as an extended pickup bed. Make sure to secure the items in the pickup bed, and do not exceed the maximum allowable weight on the tailgate (see page 189).

To turn the bed lights on or off, use the bed light switch on the dashboard (see page 120).

## To Swing Open the Tailgate



To swing open the tailgate, first make sure it is fully closed, then pull up the right lower handle, and swing the tailgate to the left.

To close, swing the tailgate back, and push it firmly until it is latched.

Before opening or closing the tailgate, check that passengers, especially children, are not in the tailgate's path.

## NOTICE

*Do not drive with the tailgate swung open. This could damage the tailgate.*

## WARNING

Swinging the tailgate open or closed while anyone is in its path can cause serious injury.

Make sure all passengers are clear of the tailgate's path before opening or closing it.

CONTINUED

# Dual-Action Tailgate

---

Do not allow anyone to hang on the swung open tailgate. This could damage the tailgate.

Do not leave the tailgate swung open. The tailgate may swing and shut accidentally. This could cause serious injuries.

The bed lights come on when you swing open the tailgate. You can also turn the bed lights on or off by pushing the bed light switch on the dashboard (see page [120](#) ).



## ***Tailgate Open Indicator***

This indicator is in the door and tailgate open monitor on the instrument panel. It comes on when the tailgate is swung open or it is not completely closed. This indicator works even if the key is not in the ignition switch.

If the tailgate is swung open or not closed tightly when the ignition switch is in the ON (II) position, you will hear six beeps and see the indicator blinking. The indicator stays on until you close the tailgate. The beeper also sounds and the indicator blinks when you move the shift lever out of the Park or neutral position.

If you do not fasten the seat belt, you first hear the seat belt reminder alarm, then the tailgate reminder beeper sounds.

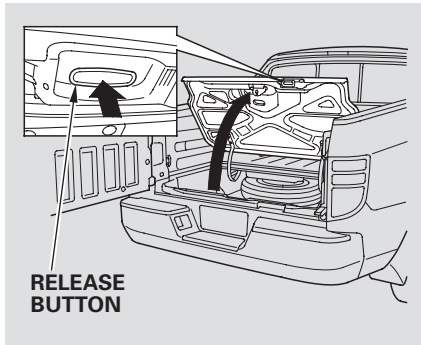
The indicator does not monitor the tailgate when it is dropped open.

## **Loading Cargo**

See page [186](#) for information on cargo loading and weight limits.

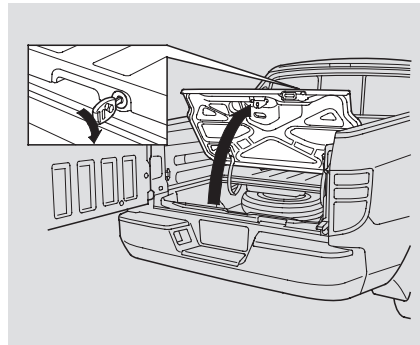
You can also store and lock items in the In-Bed Trunk (see page [95](#) ).





You can open the In-Bed Trunk two different ways:

- Push the release button on the lower right side of the In-Bed Trunk lid when the driver's door is unlocked.
- Use the master key to open the In-Bed Trunk when the driver's door is locked.



To close the In-Bed Trunk, lower the lid, then press down on the back edge.

When the In-Bed Trunk is closed securely, it can be locked or unlocked along with the power door locks (see page [83](#) ).

If your vehicle's battery is disconnected or goes dead, the release button on the In-Bed Trunk lid is disabled. To open the In-Bed Trunk, use the master key.

The bed lights come on when you open the In-Bed Trunk. You can also turn the bed lights on or off by pushing the bed light switch on the dashboard (see page [120](#) ).

You can store items in the In-Bed Trunk up to 300 lbs (136 kg). Do not exceed this weight limit, or you may damage the In-Bed Trunk. See page [186](#) for information on loading cargo and weight limits.

To store items separately in the In-Bed Trunk, optional divider guides are available from your dealer.

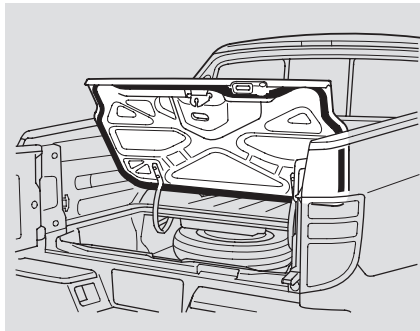
*CONTINUED*

To avoid damaging the key and key cylinder of the In-Bed Trunk lid, do not close the tailgate when the key is in the lid.

To avoid damaging the In-Bed Trunk lid, and to prevent items from being thrown about the vehicle and possibly hurting someone in an accident or sudden stop, be sure the In-Bed Trunk lid is securely closed before driving away.

To avoid damaging the bottom of the In-Bed Trunk, do not drive over large obstacles, and do not use it as a jacking point to raise the vehicle.

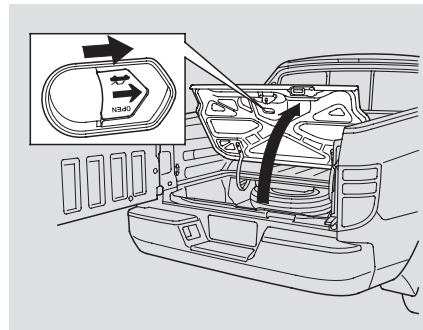
To avoid damaging the seal on the In-Bed Trunk lid, remove any debris from the lid's mating surface before you close it.



### **In-Bed Trunk Open Indicator**

This indicator on the instrument panel reminds you that the In-Bed Trunk is open (see page 69 ).

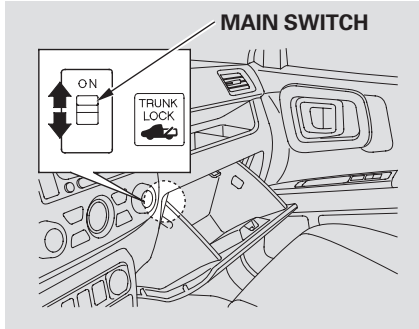
### **Emergency Opener**



As a safety feature, your vehicle has a release lever on the latch of the In-Bed Trunk lid so it can be opened from the inside. To open the In-Bed Trunk, push the release lever in the direction of the arrow.

Parents should decide if their children should be shown how to use this feature. For more information about child safety, see page 36 .

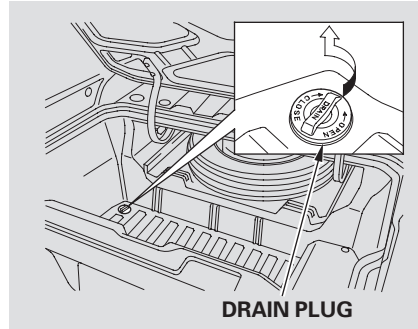
## In-Bed Trunk Main Switch



To protect items in the In-Bed Trunk, you can disable its release button by turning off the main switch in the glove box and locking the glove box with the master key.

Even if the main switch is in the OFF position, you can open the In-Bed Trunk with the master key.

## Washing the In-Bed Trunk

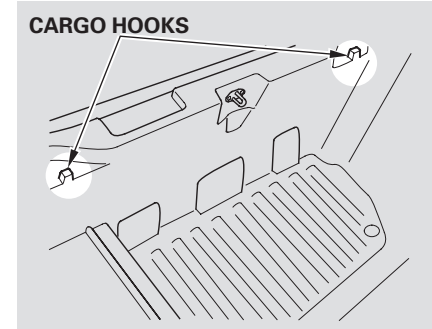


You can wash the inside of the In-Bed Trunk with a water and mild detergent solution, and a soft brush or cloth.

To drain water from the In-Bed Trunk, remove the drain plug by turning it counterclockwise.

When you are finished washing the In-Bed Trunk, dry it with a soft cloth, and reinstall the drain plug.

## Cargo Hooks



There are two cargo hooks for plastic grocery bags at the back of the In-Bed Trunk. They are designed to hold light items. Heavy objects may damage the hooks.

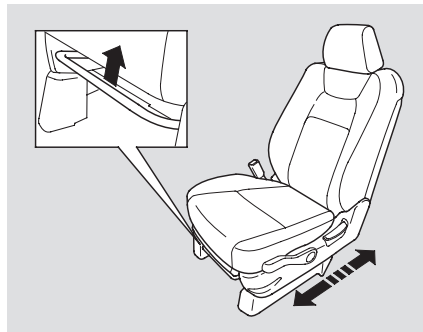
# Seats

The front passenger's seat in all models adjusts manually.

## Manual Seat Adjustments

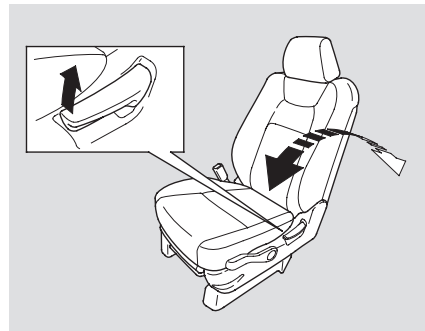
*On RT, RTX, and Canadian LX models  
See pages 11 – 13 for important safety  
information and warnings about how to  
properly position the seats and seat-  
backs.*

Make all seat adjustments before  
you start driving.



To adjust the seat forward or backward, pull up on the bar under the seat cushion's front edge. Move the seat to the desired position, and release the bar. Try to move the seat

to make sure it is locked in position.

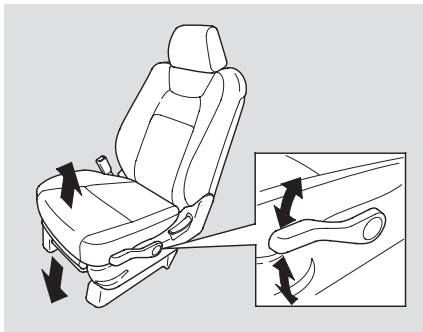


To change the seat-back angle of the front seat, pull up the lever on the outside of the seat bottom.

Once your seat is adjusted correctly, rock it back and forth to make sure it is locked in position.

### Driver's Seat Manual Height Adjustment

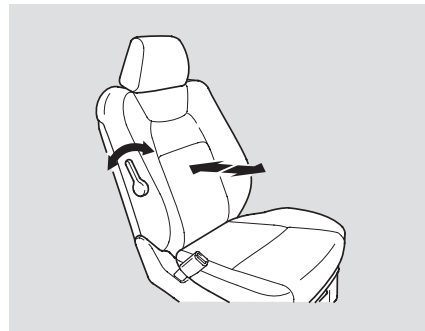
Make all seat adjustments before you start driving.



*On RT, RTX, and Canadian LX models*  
The height of your driver's seat is adjustable. To raise the seat, repeatedly pull up the lever on the outside of the seat cushion. To lower the seat, push the lever down repeatedly.

Make sure to pull the lever upward or downward to its full range.

### Driver's Manual Lumbar Support



*On RTS model*  
Vary the lumbar support by moving the lever on the right side of the seat-back. Move the lever forward or backward to adjust the lumbar support through its full range.

# Seats

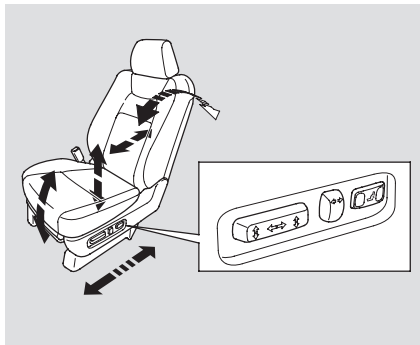
## Power Seat Adjustments

*On RTS, RTL, and Canadian EXL models*

*See pages 11 – 13 for important safety information and warnings about how to properly position the seats and seat-backs.*

The controls for the power adjustable driver's seat are on the outside edge of the seat bottom. You can adjust the seat with the ignition switch in any position. Make all seat adjustments before you start driving.

Moving the long horizontal switch adjusts the seat bottom in several directions. The seat bottom adjusts in the direction you move the switch. The short vertical switch adjusts the seat-back angle.



Moves the seat forward and backward.



Moves the front of the seat up or down.



Raises or lowers the seat.



Moves the whole seat up and forward, or down and backward. The front of the seat also tilts up or down at the same time.

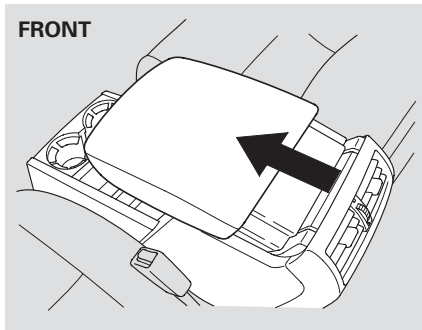


Adjusts the seat-back angle forward or backward.



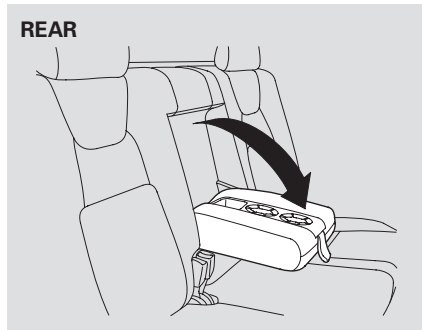
Increases or decreases the lumbar support. (RTL and Canadian EXL models)

## Armrests



To use the console lid as an armrest, slide it to the desired position.

Make sure your passenger's hands or fingers are away from the armrest before moving it.



The rear seat armrest is in the center of the rear seats. Pivot it down to use it.

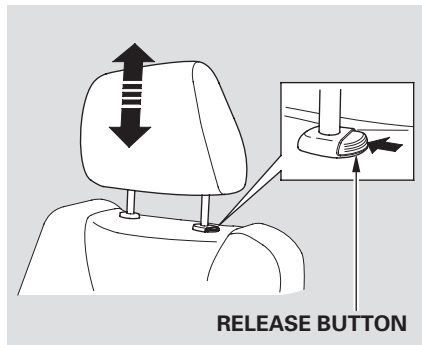
# Seats

## Head Restraints

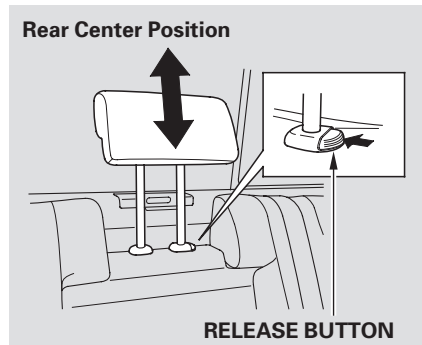
See page 13 for important safety information and a warning about how to properly position the head restraints.

Your vehicle is equipped with head restraints in all seating positions to help protect you and your passengers from whiplash and other injuries.

They are most effective when you adjust them so the back of the occupant's head rests against the center of the restraint.



The head restraints adjust for height. You need both hands to adjust the restraint. Do not attempt to adjust it while driving. To raise it, pull upward. To lower the restraint, push the release button sideways, and push the restraint down.



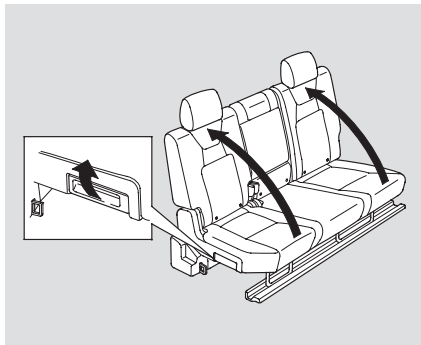
When a passenger is seated in the rear center seating position, make sure the center head restraint is properly positioned.



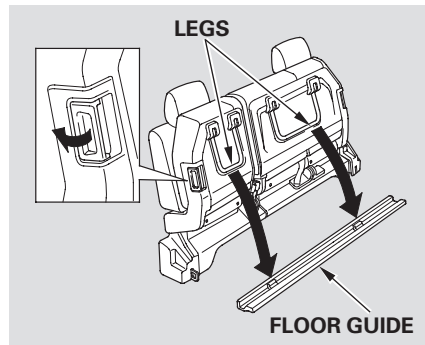
### Folding the Rear Seats

The left and right rear seat cushions can be lifted up separately to make room for cargo.

Remove any items from the seat before you fold up the seat cushion.



To fold a rear seat cushion, pull up the lever on the outside of the cushion. The seat cushion pops up, and the seat legs store underneath it. Push the cushion firmly against the seat-back to lock it in place.



To return the seat cushion to its original position, pull the lever outward, then push down the seat cushion slowly.

Make sure the seat cushion is locked securely and the seat legs are positioned properly in the floor guide.

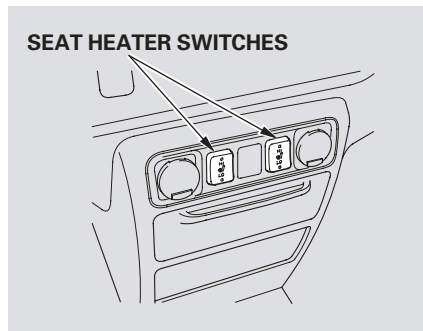
*CONTINUED*

## Seats, Seat Heaters

Make sure all items in the cargo area are secured. Loose items can fly forward and cause injury if you have to brake hard (See **Carrying Cargo** on page 186).

You can also store small items under the rear seats. Make sure to secure the items so they will not shift while you are driving.

### Seat Heaters



*If equipped*

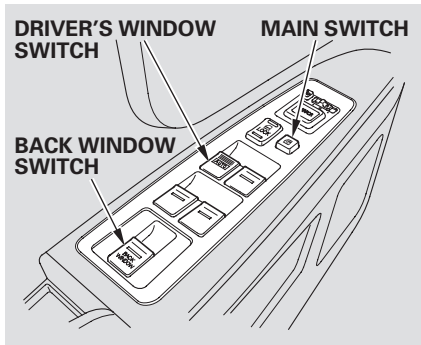
Both front seats have seat heaters. The passenger seat is only heated in the seat bottom because of the side airbag cutoff system. The ignition switch must be in the ON (II) position to use seat heaters. Push the top of the switch, HI, to rapidly heat up the seat. After the seat reaches a comfortable temperature, select LO by pushing the bottom of the switch. This will keep the seat warm.

In HI, the heater turns off when the seat gets warm, and turns back on after the seat's temperature drops.

In LO, the heater runs continuously. It does not cycle with temperature changes.

Follow these precautions when using the seat heaters:

- Use the HI setting only to heat the seats quickly, because it draws large amounts of current from the battery.
- If the engine is left idling for an extended period, do not use the seat heaters, even on the LO setting. It can weaken the battery, causing hard starting.



Turn the ignition switch to the ON (II) position to raise or lower any side window, or open and close the back window. To open the window, push the switch down and hold it. Release the switch when you want the window to stop. Pull back on the switch and hold it to close the window.

The windows operate for up to 10 minutes after you turn off the ignition switch. Opening either front door cancels this function.

## **⚠ WARNING**

Closing a power window on someone's hands or fingers can cause serious injury.

Make sure your passengers are away from the windows before closing them.

**AUTO** — To open or close the driver's window, push or pull the window switch firmly down or up to the second detent, and release it. The window will automatically go up or down all the way. To stop the window, pull or push the window switch briefly.

When you push the MAIN switch in, the passenger windows and the back window cannot be raised or lowered.

To cancel this feature, push on the switch again. Keep the MAIN switch off when you have children in the vehicle so they do not injure themselves by operating the windows unintentionally.

*CONTINUED*

**AUTO REVERSE** — If the driver's window senses any obstacle while it is closing automatically, it will reverse direction, and then stop. To close the window, remove the obstacle, then use the window switch again.

Auto reverse stops sensing when the window is almost closed. You should always check that all passengers and objects are away from the window before closing it.

If the driver's window fuse is removed, the AUTO function may be disabled. The power window system needs to be reset after reinstalling the fuse.

1. Start the engine. Push down and hold the driver's window switch until the window is fully open.
2. Pull and hold the driver's window switch to close the window completely, then hold the switch for about 2 seconds.

If the power windows do not operate properly after resetting, have your vehicle checked by your dealer.

## Back Window

Your vehicle has a power back window.



### Back Window Open Indicator

This indicator comes on when you turn the ignition switch from the ON (II) to the ACCESSORY (I) or LOCK (0) position without closing the back window. With the ignition switch in the ACCESSORY (I) position, the indicator goes off after about 30 seconds. With the ignition switch in the LOCK (0) position, the indicator goes off after about 3 minutes.

If you remove the ignition key and open the driver's door without closing the back window, you hear five beeps and see the indicator blink. If you do not close the back window before the beeper stops, the indicator stops blinking but remains on. It will go off after about 3 minutes (see page 69 ).

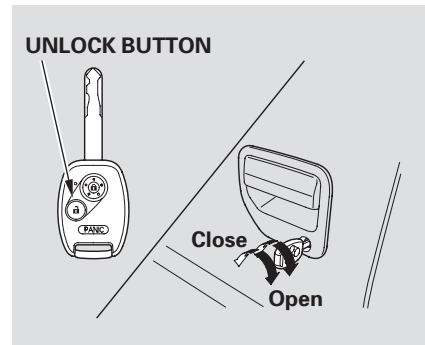
The back window is not designed to carry long items through it. Do not use the opened back window as a cargo area pass-through.

## Opening the Side Windows with the Remote Transmitter

You can open all of the side windows from the outside with the remote transmitter.

1. Press the UNLOCK button once to unlock the driver's door.
2. Press the UNLOCK button a second time, and hold it. The passenger's doors unlock, and all four side windows start to open. To stop the windows, release the button.
3. To open the windows further, press the button again, within about 3 seconds.

You cannot close the windows with the remote transmitter.



## Opening/Closing the Side Windows with the Key

You can open and close the side windows with the key in the driver's door lock.

To open:

1. Insert the key in the driver's door lock.
2. Turn the key clockwise, then release it.

*CONTINUED*

# Power Windows, Moonroof

3. Turn the key clockwise again, and hold it. All four side windows start to open. To stop the windows, release the key.
4. To open the windows further, turn and hold the key again (within 10 seconds).

NOTE: If the windows stop before the desired position, repeat steps 2 and 3.

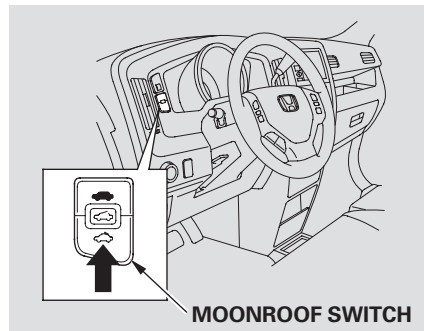
To close:

1. Insert the key in the driver's door lock.
2. Turn the key counterclockwise, then release it.
3. Turn the key counterclockwise again, and hold it. All four side windows start to close. To stop the windows, release the key.

4. To close the windows further, turn and hold the key again (within 10 seconds).

NOTE: If the windows stop before the desired position, repeat steps 2 and 3.

## Moonroof



*If equipped*

The moonroof has two positions: it can be tilted up in the back for ventilation, or it can slide back into the roof. Use the switch near the left dashboard vent to operate the moonroof. The ignition switch must be in the ON (II) position.

To tilt up the back of the moonroof, press and hold the center part of the switch (☁️). To close the moonroof, press and hold the upper part of the switch (🚗). To open the moonroof, press and hold the lower part of the switch (☁️). Release the switch when the moonroof gets to the desired position.

Make sure everyone's hands are away from the moonroof before opening or closing it.

## ⚠️ WARNING

Opening or closing the moonroof on someone's hands or fingers can cause serious injury.

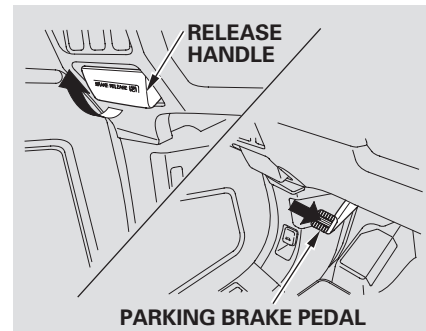
Make sure all hands and fingers are clear of the moonroof before opening or closing it.

You can open and close the moonroof for up to 10 minutes after you turn off the ignition switch. Opening either front door cancels this function.

## NOTICE

*If you try to open the moonroof in below-freezing temperatures, or when it is covered with snow or ice, you can damage the moonroof panel or its motor.*

## Parking Brake



To apply the parking brake, push the pedal down with your foot. To release it, pull the release handle fully. The parking brake indicator on the instrument panel should go out when the parking brake is fully released, and the ignition switch is in the ON (II) position (see page 63).

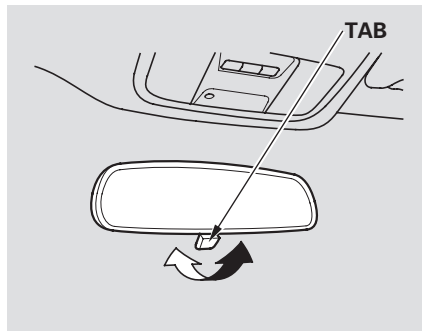
CONTINUED

# Parking Brake, Mirrors

## NOTICE

*Driving the vehicle with the parking brake applied can damage the rear brakes and axles. A beeper will sound if the vehicle is driven with the parking brake on.*

## Mirrors



Keep the inside and outside mirrors clean and adjusted for best visibility. Be sure to adjust the mirrors before you start driving.

The inside mirror has day and night positions. The night position reduces glare from headlights behind you. Flip the tab on the bottom edge of the mirror to select the day or night position.

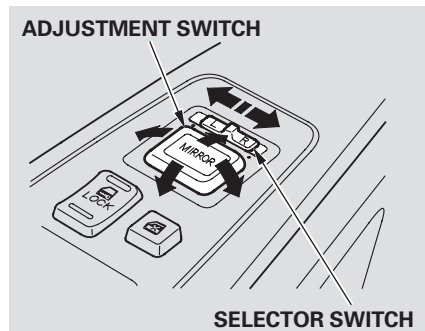
## *If equipped*

The rear view mirror has a compass function to indicate the vehicle's direction.

Refer to **Compass** on page [168](#).



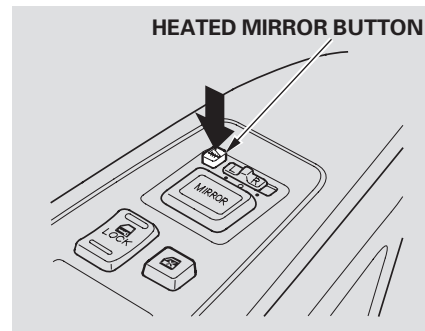
### Adjusting the Power Mirrors



1. Turn the ignition switch to the ON (II) position.
2. Move the selector switch to L (driver's side) or R (passenger's side).
3. Push the appropriate edge of the adjustment switch to move the mirror right, left, up, or down.

4. When you finish, move the selector switch to the center (off) position. This turns the adjustment switch off to keep your settings.

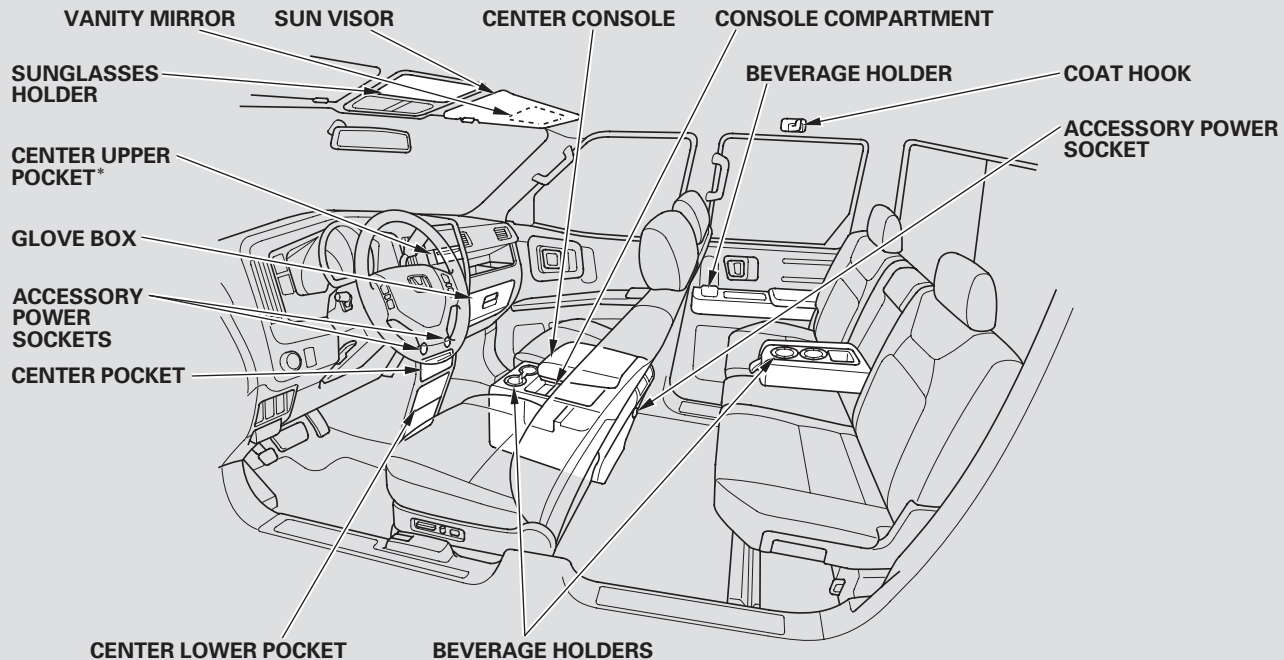
### Heated Mirrors



#### *If equipped*

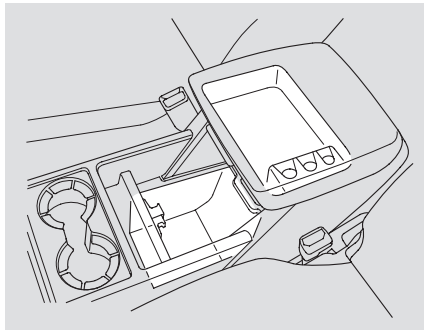
The outside mirrors are heated to remove fog and frost. With the ignition switch in the ON (II) position, turn on the heaters by pressing the button. The indicator in the button comes on as a reminder. Press the button again to turn the heaters off.

# Interior Convenience Items



\* : On vehicle without navigation system

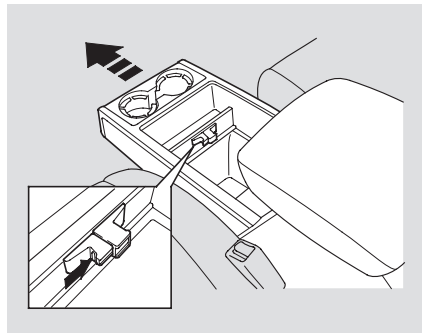
## Center Console



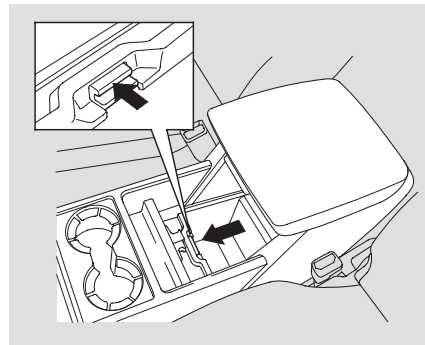
Your vehicle has a multi-function center console. It includes beverage holders, storage compartments, an armrest, a coin holder, and a storage tray.

## Console Compartments

The center console main compartment is under the tray and the beverage holder. You can access the main compartment in two ways (front or rear).



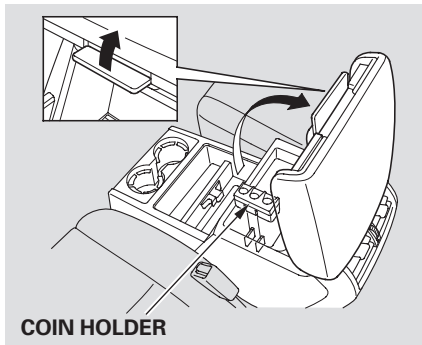
To open the front of the compartment, squeeze the knob, and push it forward while sliding the beverage holder. To close, squeeze the knob and pull the compartment backward until the beverage holder latches.



To open the rear of the compartment, push the button at the end of the tray, then slide the tray forward. To close, slide the tray back in place.

There are two removable partitions in the main compartment. The partitions can be used to divide the main compartment, or can be stored at the front of the compartment. The console compartment light comes on when the instrument panel lights are on.

## Interior Convenience Items



You can put small items in the upper console compartment. To use it, pull up on the lever and lift up the armrest.

### *If equipped*

The upper console compartment has a removable coin holder. Pull the coin holder straight up to remove it. To install it, push it down along the guides on the side of the compartment.

### *Cargo Hooks*



There are two cargo hooks for plastic grocery bags at the back of the center console. They are designed to hold light items. Heavy objects may damage the hooks.

### **Beverage Holders**

The center console has two beverage holders on the front. Your vehicle also has beverage holders in the rear seat armrest and the rear door panels.

Be careful when you are using the beverage holders. A spilled liquid that is very hot can scald you or your passengers. Liquid can also spill from the door panel beverage holders when you close the doors. Use only resealable containers in the door beverage holders.

Spilled liquids can damage the upholstery, carpeting, and electrical components in the interior.

## Glove Box

Open the glove box by pulling the handle. Close it with a firm push. Lock or unlock the glove box with the master key.

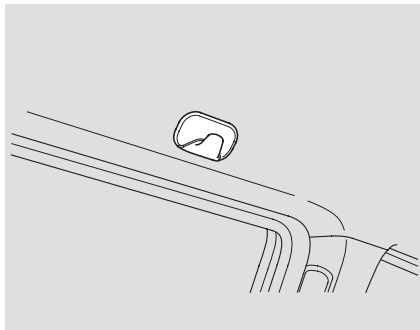
The glove box light comes on when the parking lights are on.

### **⚠ WARNING**

An open glove box can cause serious injury to your passenger in a crash, even if the passenger is wearing the seat belt.

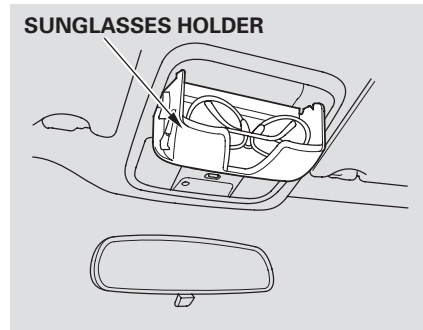
Always keep the glove box closed while driving.

## Coat Hooks



These hooks are not designed for large or heavy items.

## Sunglasses Holder

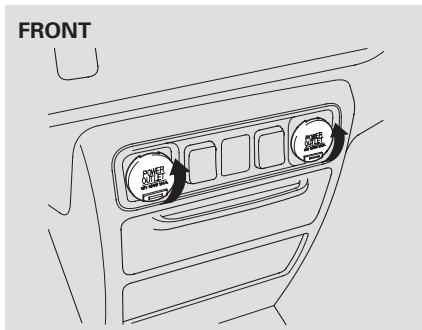


To open the sunglasses holder, push on the rear edge. Make sure the holder is closed while you are driving.

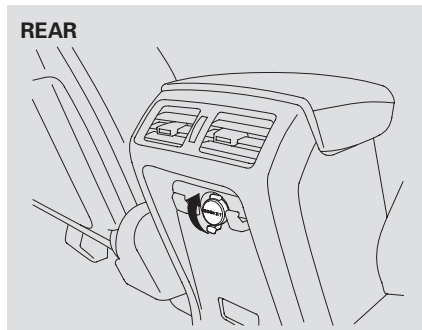
Some larger styles of sunglasses may not fit in the holder.

# Interior Convenience Items

## Accessory Power Sockets



There are three accessory power sockets in your vehicle. Two accessory power sockets are above the center pocket on the dashboard, and another is on the back of the center console.

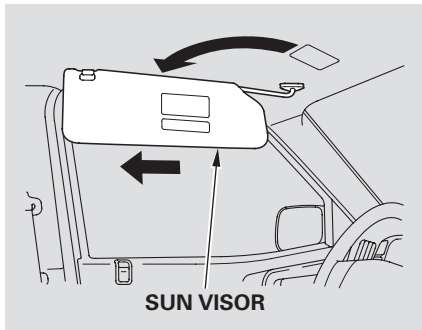


These sockets are intended to supply power for 12 volt DC accessories that are rated 120 watts or less (10 amps).

To use an accessory power socket, the ignition switch must be in the ACCESSORY (I) or ON (II) position.

None of the sockets will power an automotive type cigarette lighter element. When both sockets are being used, the combined power rating of the accessories should be 120 watts or less (10 amps).

### Sun Visor

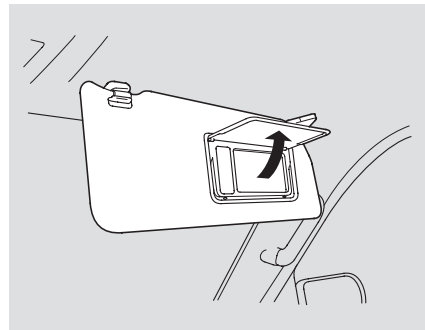


To use the sun visor, pull it down. When using the sun visor for the side window, remove the support rod from the clip, and swing it out.

In this position, the sun visor can be adjusted by moving it on its slider. Do not use the extended sun visor over the inside mirror.

Make sure you put the sun visor back in place when you are getting into or out of the vehicle.

### Vanity Mirror



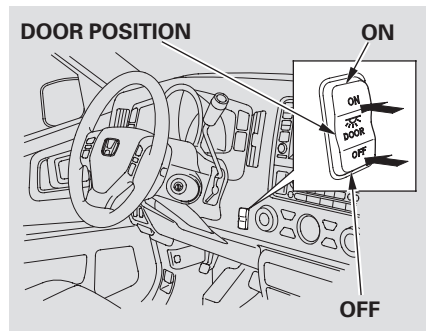
Pull up the vanity mirror cover to use it.

The light comes on when you pull up the cover.

The light will not come on if the sun visor is slid outward.

# Interior Lights

## Interior Light Control Switch



*When the interior light control switch is in the ON position:*

- All the individual map lights and the rear console light come on and stay on as long as the switch remains in the ON position.

*When the switch is in the door position:*

- The individual map lights and the rear console light come on when any door is opened, or when the remote transmitter or the key is used to unlock the doors. When the doors are closed, each individual map light can be turned on and off by pushing the lens.

The lights fade out about 30 seconds after all the doors are closed.

With any door left open and the key is removed from the ignition switch, the lights stay on about 3 minutes, then go out.

*When the switch is in the OFF position:*

- None of the lights come on when a door is opened.
- The map lights in the front can be turned on and off by pushing each lens. The rear map lights cannot be used.



## Individual Map Lights

Turn on a front individual map light by pushing the lens. Push the lens again to turn it off. With the interior light control switch in the door position, a rear map light can be turned on by pushing the lens. Push the lens again to turn it off.

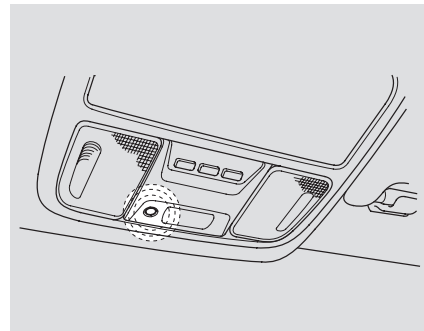
The map lights stay on when the interior light control switch is in the door position and the map light switch is on.

## Individual Interior Lights

The courtesy light in each door comes on when you open that door. The light around the ignition switch only comes on when you open the driver's door. After you close the door, the ignition switch light fades out in about 30 seconds.

The courtesy light in the back of the center console comes on when you open any door with the interior light control switch in the door position. After you close the doors, the light fades out.

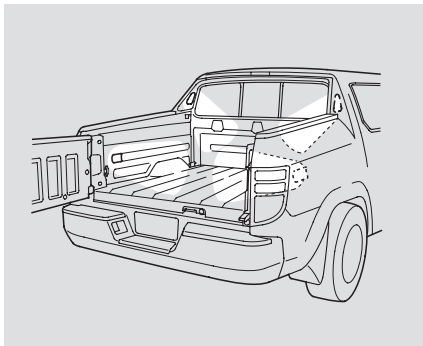
## Courtesy Light



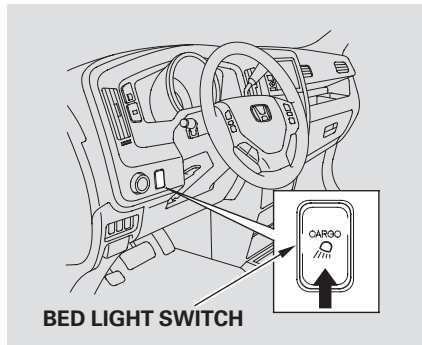
### *If equipped*

The courtesy light between the front map lights comes on when you turn the parking lights on. To adjust its brightness, turn the instrument panel brightness control dial on the dashboard (see page 78 ).

## Bed Lights



Your vehicle has bed lights in the pickup bed: a light on each front upper and rear bottom side. With the shift lever in the Park position, the bed lights come on when you push the bed light switch on the dashboard, swing open the tailgate, or open the In-Bed Trunk. The indicator on the instrument panel also comes on to remind you that the bed lights are on.



To turn off the lights, push the light switch again, or close the tailgate and the In-Bed Trunk.

When you move the shift lever out of the Park position, the bed lights go off and cannot be used.

If you turn the ignition switch to ACCESSORY (I) or LOCK (O) without turning off the bed lights, the lights and the indicator will remain on, then go off after 20 minutes (see page 69).

The heating and air conditioning system in your vehicle provides a comfortable driving environment in all weather conditions.

The standard audio system has many features. This section describes those features and how to use them. (If you have an optional audio system, refer to the operating instructions that came with it.)

Your vehicle has an anti-theft audio system that requires a code number to enable it.

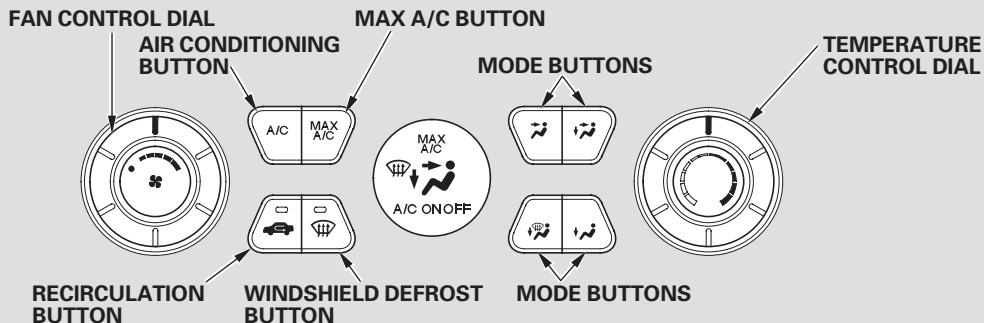
*On all models except RT, RTX, and Canadian LX*

The security system helps to discourage vandalism and theft of your vehicle.

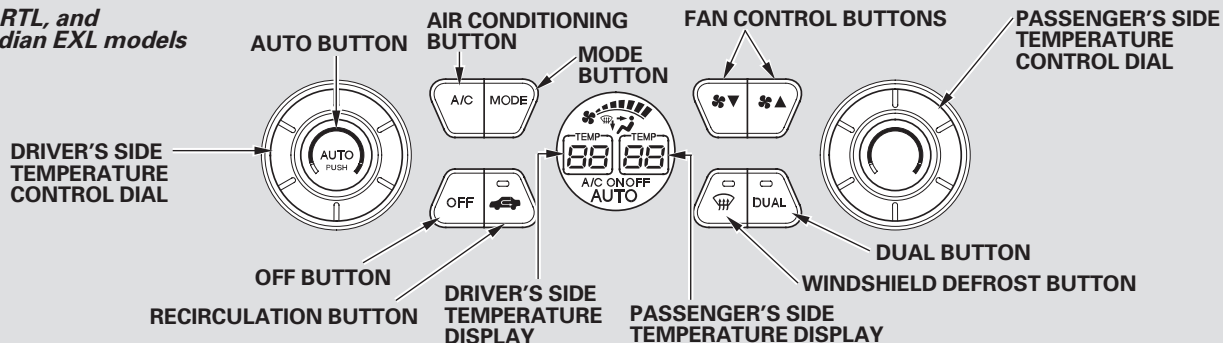
Vents, Heating, and A/C .....	122
Using the Heater .....	126
Using the A/C.....	126
Using Automatic Climate Control .....	128
Rear Ventilation .....	129
Dual Temperature Control.....	130
Climate Control Sensors.....	132
Playing the AM/FM Radio.....	133
AM/FM Radio Reception.....	140
Playing the XM <sup>®</sup> Satellite Radio ..	142
Playing a CD, CD Changer.....	148
Protecting Your CDs.....	159
CD Player/Changer Error Messages.....	160
Remote Audio Controls.....	161
Playing an Optional Audio Unit....	161
Radio Theft Protection.....	162
Setting the Clock .....	163
Security System .....	164
Cruise Control.....	165
Compass.....	168
HomeLink Universal Transceiver.....	171
Tire Pressure Monitoring System (TPMS)-Required Federal Explanation .....	175

# Vents, Heating, and A/C

*RT, RTX, and Canadian LX models*



*RTS, RTL, and Canadian EXL models*



On RTS, RTL, and Canadian EXL models, see pages [128](#) and [129](#) for information on automatic climate control and semi-automatic operation.

## Fan Control

*On RT, RTX, and Canadian LX models*  
Turn the dial clockwise to increase the fan speed and airflow. Turn the dial counterclockwise to decrease it.

*On RTS, RTL, and Canadian EXL models*

Select the fan speed by pressing the fan control buttons (❁▼ or ❁▲). The fan speed is shown in vertical bars on the display.

## Temperature Control

*On RT, RTX, and Canadian LX models*  
Turning this dial clockwise increases the temperature of the airflow.

*On RTS, RTL, and Canadian EXL models*

The driver and passenger can select independent temperature settings.

Push the DUAL button. When the indicator in the button is on, turn the dials to adjust the temperature.

When the indicator in the DUAL button is off, both sides adjust to the driver's side temperature.

## Dual Button

*On RTS, RTL, and Canadian EXL models*

Press the DUAL button to select dual temperature control mode (see page [130](#)).

You can set the temperatures for the driver's side and the passenger's side separately when this button is pressed (indicator on). When the indicator in the DUAL button is off, you can adjust both sides to the same temperature with the driver's side temperature control dial.

CONTINUED

# Vents, Heating, and A/C

---

## Air Conditioning (A/C) Button

Press the A/C button to turn the air conditioning on and off. You will see A/C ON or A/C OFF in the display.

When you turn the A/C off, the system cannot regulate the inside temperature if you set the temperature control below the outside temperature.

## Recirculation Button

When the recirculation indicator is on, air from the vehicle's interior is sent throughout the system again. When the indicator is off, air is brought in from the outside of the vehicle (fresh air mode).

The outside air intakes for the heating and cooling system are at the base of the windshield. Keep this area clear of leaves and other debris.

The system should be left in fresh air mode under almost all conditions. Keeping the system in recirculation mode, particularly with the A/C off, can cause the windows to fog up.


Switch to recirculation mode when driving through dusty or smoky conditions, then return to fresh air mode.

## Mode Control


Use the mode control buttons to select the vents air flows from. Some air will flow from the dashboard corner vents in all modes.


Each time you press the MODE button (On RTS, RTL, and Canadian EXL models) or either mode button (On RT, RTX, and Canadian LX models), the display shows the mode selected.

 Air flows from the center, corner, and rear vents in the dashboard.

 Airflow is divided between the vents in the dashboard, rear and the floor vents.

 Air flows from the floor vents.


 Airflow is divided between the floor vents and the defroster vents at the base of the windshield.

Press the  button, Air flows from the defroster vents at the base of the windshield.

*On RT, RTX, and Canadian LX models*  
When you select  or , the system automatically switches to fresh air mode and turns on the A/C.



When you select , the system automatically switches to fresh air mode.

*On RTS, RTL, and Canadian EXL models*

When you select , the system automatically switches to fresh air mode and turns on the A/C.


## MAX A/C Button

*On RT, RTX, and Canadian LX models*

 The system automatically turns on the A/C and switches to recirculation mode. Air flows from the center, side, and rear vents in the dashboard. Pressing the  or A/C button cancels MAX A/C.

## Ventilation

The flow-through ventilation system draws in outside air, circulates it through the interior, then exhausts it through vents near the back window.



1. Set the temperature to the lower limit.
2. Make sure the A/C is off.
3. Select  and fresh air mode.
4. Set the fan to the desired speed.

# Vents, Heating, and A/C

---


## Using the Heater

The heater uses engine coolant to warm the air. If the engine is cold, it will be several minutes before you feel warm air coming from the system.

1. Select  .  
When you select  , the system automatically switches to the fresh air mode.
2. Set the fan to the desired speed.
3. Adjust the warmth of the air with the temperature control dial.

## Using the A/C


Air conditioning places an extra load on the engine. Watch the engine coolant temperature gauge (see page 72). If it moves near the red zone, turn off the A/C until the gauge reading returns to normal.

1. Turn on the A/C by pressing the button. The display shows A/C ON on when a fan speed is selected.
2. Make sure the temperature is set to maximum cool.
3. Select  .
4. If the outside air is humid, select recirculation mode. If the outside air is dry, select fresh air mode.
5. Set the fan to the desired speed.

*If the interior is very warm, you can cool it down more rapidly by partially opening the windows, turning on the A/C, and setting the fan to maximum speed in fresh air mode.*

*On RT, RTX, and Canadian LX models*


To cool the interior with MAX A/C:

1. Set the fan to the desired speed.
2. Select MAX A/C mode.  
The system automatically turns on the A/C, selects  , and switches to recirculation mode.
3. Make sure the temperature is set to maximum cool.



## Dehumidify the Interior



Air conditioning, as it cools, removes moisture from the air. When used in combination with the heater, it makes the interior warm and dry.


1. Turn the fan on.
2. Press the A/C button.
3. Select  and fresh air mode.
4. Adjust the temperature to your preference.

This setting is suitable for all driving conditions whenever the outside temperature is above 32°F (0°C).

## To Defog and Defrost

To remove fog from the inside of the windows:

1. Set the fan to the desired speed or high for faster defrosting.
2. Select . When you select , the system automatically switches to fresh air mode and turns on the A/C. The A/C indicator will not be displayed if it was off to start with.
3. Adjust the temperature so the airflow feels warm.
4. To increase airflow to the windshield, close the side vents.

When you switch to another mode from , the A/C stays on. Press the A/C button to turn it off.

## Automatic Heated Wiper Zone



Your vehicle has heating wires at the bottom of the windshield to help heat the wiper blades and the windshield. If the outside temperature is near freezing, the heater turns on automatically when you turn the ignition switch to the ON (II) position. The heater turns off automatically when the outside temperature is above freezing.

This function helps to increase wiper performance when the wiper arms sit in the parked position in snowy or icy conditions.

# Vents, Heating, and A/C

---

## To Remove Exterior Frost or Ice From the Windows

1. Select . The system automatically switches to fresh air mode and turns on the A/C. The A/C indicator does not come on if it was off to start with.
2. Select .
3. Set the fan and temperature controls to maximum level.

To clear the windows faster, you can close the dashboard corner vents by rotating the wheel next to (passenger's side) or below it (driver's side). This will send more warm air to the windshield defroster vents. Once the windshield is clear, select fresh air mode to avoid fogging the windows.

For your safety, make sure you have a clear view through all the windows before driving.



## Using Automatic Climate Control

*On RTS, RTL, and Canadian EXL models*

The automatic climate control system adjusts the fan speed and airflow levels to maintain the interior temperature you select.

- Press the AUTO button.
- Set the desired temperature by turning the temperature control dial. You will see AUTO in the system's display.

The system automatically selects the proper mix of conditioned and/or heated air that will, as quickly as possible, raise or lower the interior temperature to your preference.

When you set the temperature to its lower limit (  ) or its upper limit (  ), the system runs at full cooling or heating only. It does not regulate the interior temperature.

In cold weather, the fan will not come on automatically until the heater starts to develop warm air.

*Dual Temperature Control* – When the indicator in the DUAL button is on, the driver's side and passenger's side temperature can be controlled independently (see page [130](#)).

## Semi-automatic Operation

*On RTS, RTL, and Canadian EXL models*

You can manually select various functions of the climate control system when it is in full automatic mode. All other features remain automatically controlled.

Making any manual selection causes the word AUTO in the display to go out.

## To Turn Everything Off

*On RT, RTX, and Canadian LX models*

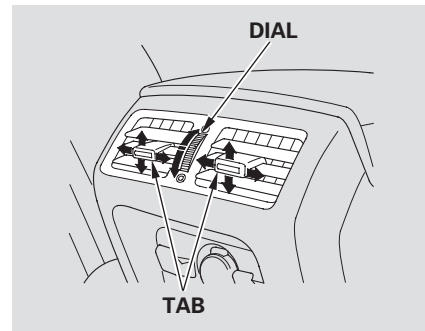
Turning the fan speed control dial all the way to the left shuts the system off.

*On RTS, RTL, and Canadian EXL models*

If you press OFF, the climate control system shuts off.

- Keep the system off for short periods only.
- To keep stale air and mustiness from collecting, you should have the fan running at all times.

## Rear Ventilation



You can adjust the direction of the air coming from the rear vents in the back of the center console by moving the tab in the center of each vent up-and-down and side-to-side.

You can also adjust the amount of airflow by turning the dial between the vents.


# Dual Temperature Control

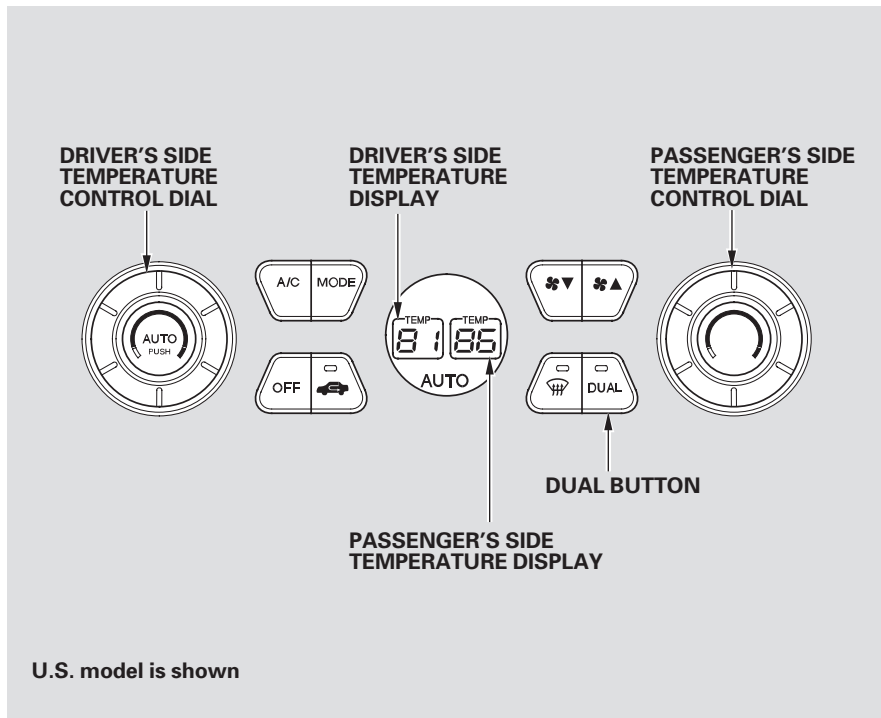
*On RTS, RTL, and Canadian EXL models*

Your vehicle has two temperature control dials, one for the driver, and one for the front passenger.

The driver's side and passenger's side can be controlled independently by adjusting these dials when the green indicator in the DUAL button is on.

## **Temperature Control Dials**

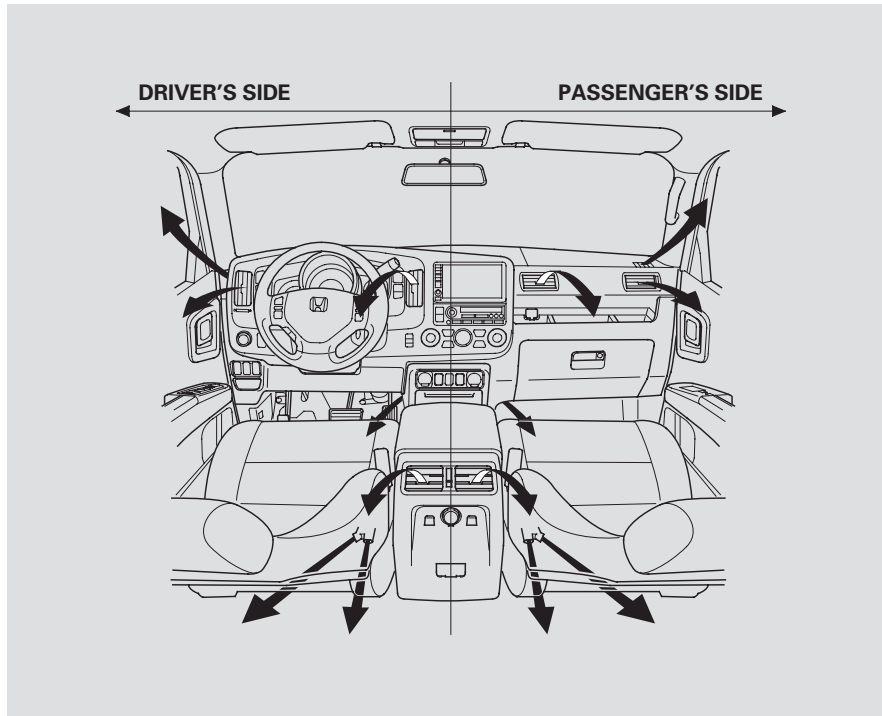
Push AUTO or  to turn on the system. The selected temperatures appear in the display. When the indicator in the DUAL button is off, you can adjust both sides to the same temperature by adjusting the driver's side temperature control dial.



To set the driver's side temperature differently than the passenger's, press the DUAL button, then turn the driver's control dial. To set the passenger's side differently than the driver's, turn the passenger's control dial. You can adjust the passenger's side without pressing the DUAL button first.

When you set the temperature to its lower or upper limit, it is displayed as

**Hi** or **Lo**.

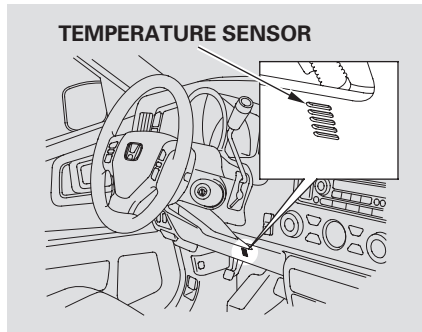
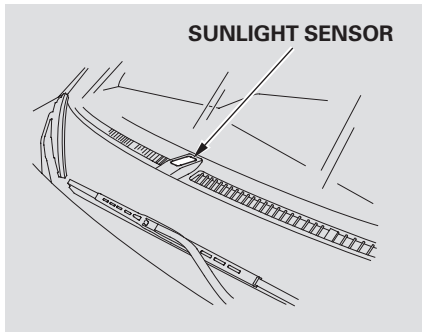


# Climate Control Sensors

---

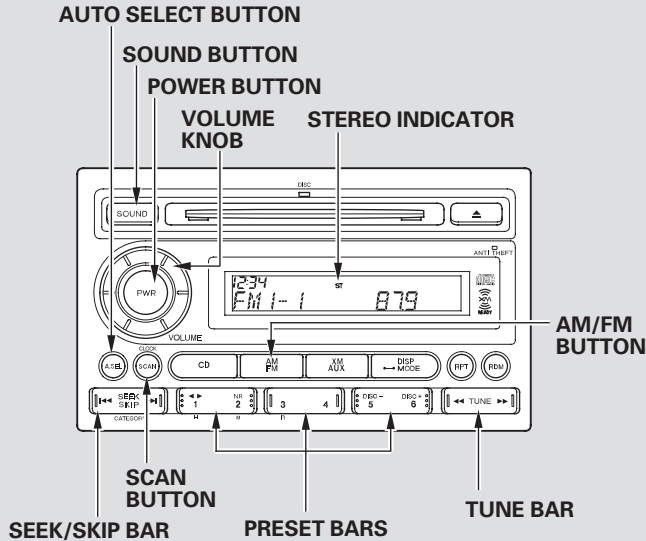
## Sunlight and Temperature Sensors

*On RTS, RTL, and Canadian EXL models*

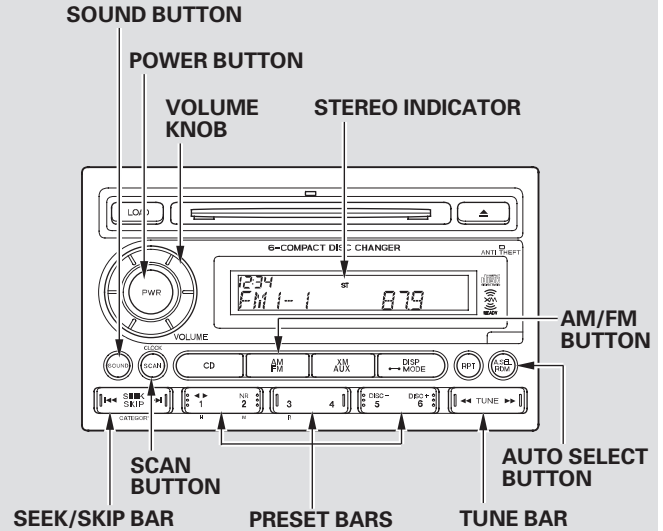


The climate control system has two sensors. A sunlight sensor is in the top of the dashboard, and a temperature sensor is under the steering column. Do not cover the sensors or spill any liquid on them.

## U.S. RT and RTX models



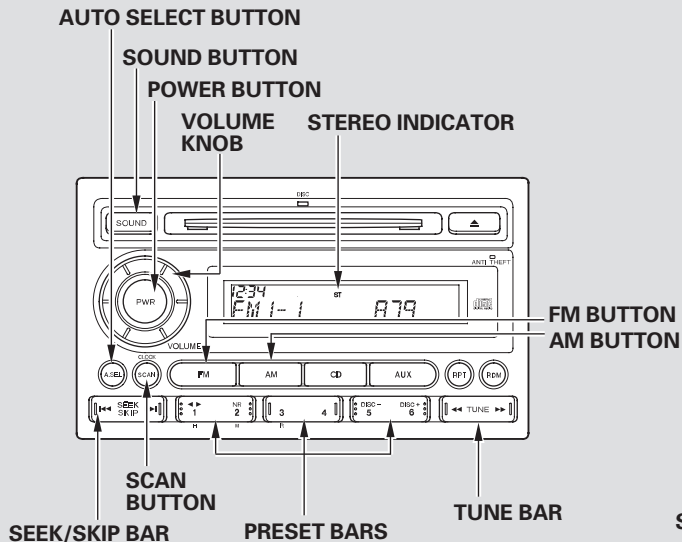
## U.S. RTS model



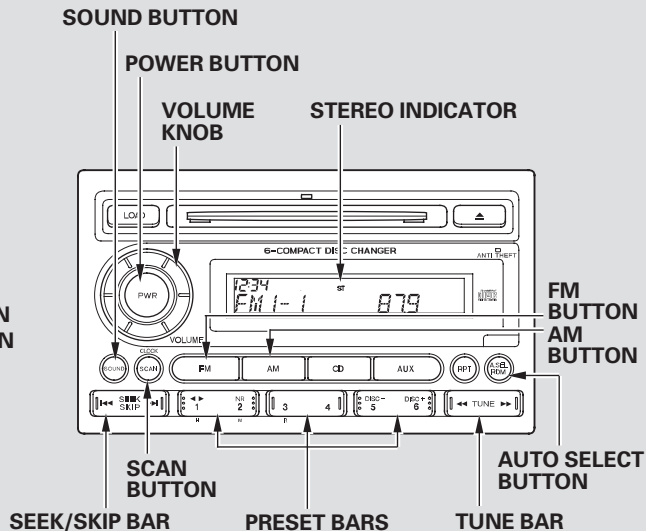
CONTINUED

# Playing the AM/FM Radio

*Canadian LX model*

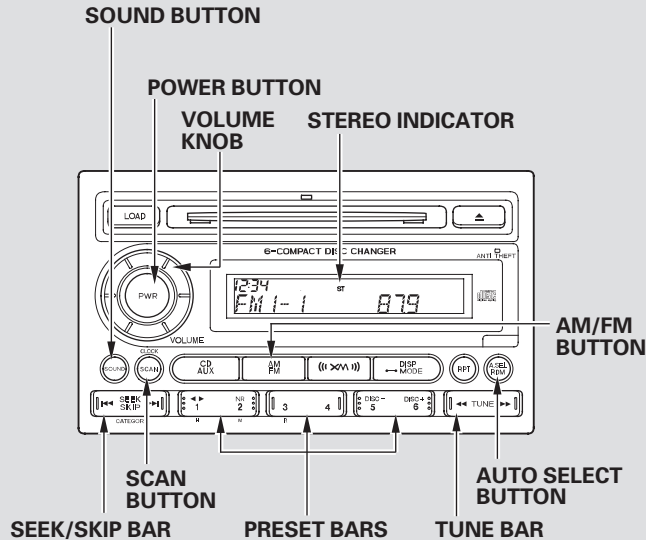


*Canadian EXL model without navigation system*

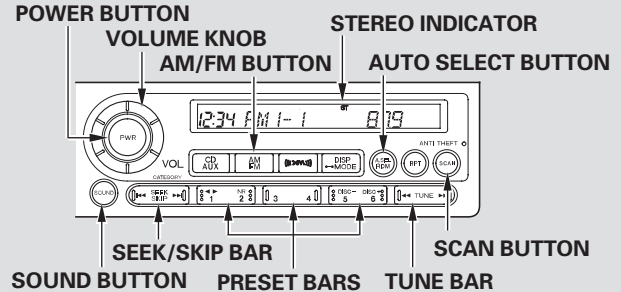




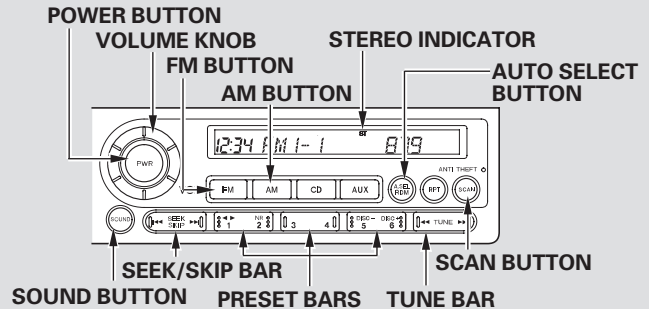
*U.S. RTL model without navigation system*



*U.S. RTL model with navigation system*



*Canadian EXL model with navigation system*



# Playing the AM/FM Radio

---

## To Play the AM/FM Radio

The ignition switch must be in the ACCESSORY (I) or ON (II) position. Turn the system on by pushing the PWR button or the AM/FM button (AM or FM button on Canadian models). Adjust the volume by turning the volume knob.

*On vehicles with navigation system*

Pushing the AUDIO button will also turn on the system (see page [138](#)).

The band and frequency that the radio was last tuned to is displayed. To change bands, press the AM/FM button (AM or FM button). On the FM band, ST will be displayed if the station is broadcasting in stereo. Stereo reproduction in AM is not available.

## To Select a Station

You can use any of five methods to find radio stations on the selected band: TUNE, SEEK, SCAN, the preset bars, and AUTO SELECT.

**TUNE** — Use the TUNE bar to tune the radio to a desired frequency. Press the ► side of the bar to tune to a higher frequency, and press the ◀ side to tune to a lower frequency.

**SEEK** — The SEEK function searches up and down from the current frequency to find a station with a strong signal. To activate it, press the ◀◀ or ▶▶ side of the bar, then release it.

**SCAN** — The scan function samples all stations with strong signals on the selected band. To activate it, press the SCAN button, then release it. You will see SCAN in the display. The system will scan for a station

with a strong signal. When it finds one, it will stop and play that station for about 10 seconds.

If you do nothing, the system will scan for the next strong station and play it for 10 seconds. When it plays a station that you want to listen to, press the SCAN button again.

**PRESET** — Each side of the bars (1–6) can store one station on AM, and two stations on FM.

1. Select the desired band, AM or FM. FM1 and FM2 let you store twelve stations.
2. Use the tune, seek, or scan function to tune the radio to a desired station.
3. Pick a preset number (1–6), and hold it until you hear a beep.
4. Repeat steps 1 through 3 to store a total of six stations on AM and twelve stations on FM.

**AUTO SELECT** — If you are traveling far from home and can no longer receive your preset stations, you can use the auto select feature to find stations in the local area.

Press the A. SEL button. “A.SEL” flashes in the display, and the system goes into scan mode for several seconds. It stores the frequencies of six AM, and twelve FM stations in the preset bars.

You will see a “0” displayed after pressing a preset bar if auto select cannot find a strong station for every preset bar.

If you do not like the stations auto select has stored, you can store other frequencies on the preset bars as previously described.

*To turn off auto select, press the A. SEL button. This restores the presets you originally set.*

### **Adjusting the Sound**

Press the SOUND button repeatedly to display the SUBWOOFER (if equipped), BASS, TREBLE, FADER, and BALANCE settings.

Each mode is shown in the display as it changes. Turn the VOLUME knob to adjust the setting to your liking. When the level reaches the center, you will see “ [ ” in the display. The system will automatically return the display to the selected audio mode about 5 seconds after you stop adjusting a mode.

*If equipped*

**SUBWOOFER** — Adjusts the strength of sound from the subwoofer speaker.

**BASS** — Adjusts the bass.

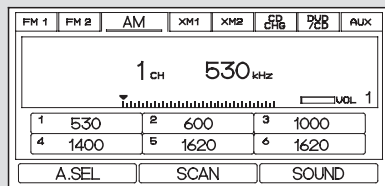
**TREBLE** — Adjusts the treble.

**FADER** — Adjusts the front-to-back strength of the sound.

**BALANCE** — Adjusts the side-to-side strength of the sound.

# Playing the AM/FM Radio

## Operating the Radio on the Navigation System Screen



*On vehicles with navigation system*  
In addition to the knobs, buttons, and bars on the radio control panel, you can operate some of the radio controls on the navigation system screen.

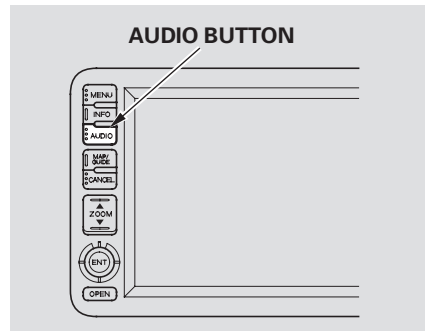
While you are listening to the radio, you can change to another band by pressing the AUDIO button next to the navigation system screen, and then touching the desired band icon (FM1, FM2, or AM).

AUTO SELECT, SCAN, and SOUND are adjustable from the navigation screen. For an explanation of these functions, see pages [136](#) and [137](#).

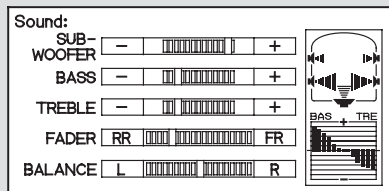
**AUTO SELECT** – Touch the A.SEL icon to activate the auto select function. You will see A.SEL flashing on the display.

**SCAN** – Touch the SCAN icon to activate the scan function. You will see SCAN in the display. Touch the icon again to deactivate it.

## Adjusting the Sound



To adjust the sound, push the AUDIO button, then enter the sound grid by touching the SOUND icon on the display.



**Left/Right Balance and Front/Rear Fader** – These modes adjust the strength of the sound coming from each speaker. Left/Right balance adjusts the side-to-side strength, while Front/Rear fader adjusts the front-to-back strength. To adjust the left/right balance, touch the “L” or “R” icon. To adjust the front/rear fader, touch the “FR” or “RR” icon.

To see the audio display when you are finished adjusting the sound, wait 5 seconds.

## Audio System Lighting

You can use the instrument panel brightness control dial to adjust the illumination of the audio system (see page 78 ). The audio system illuminates when the parking lights are on, even if the radio is off.

**Treble/Bass** – To adjust the treble and bass, touch + or – on each side of the treble or bass adjustment bar. The adjustment bar shows you the current setting.

# AM/FM Radio Reception

---

## Radio Frequencies

The radio can receive the complete AM and FM bands.

Those bands cover these frequencies:

AM band: 530 to 1,710 kHz

FM band: 87.7 to 107.9 MHz

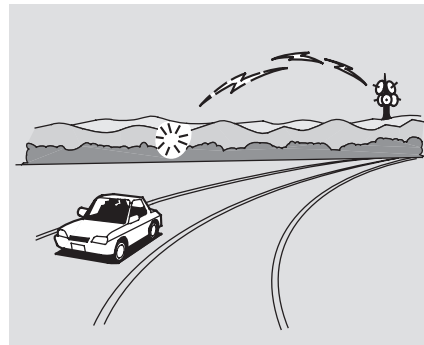
Radio stations on the AM band are assigned frequencies at least 10 kHz apart (530, 540, 550). Stations on the FM band are assigned frequencies at least 0.2 MHz apart (87.9, 88.1, 88.3).

Stations must use these exact frequencies. It is fairly common for stations to round-off the frequency in their advertising, so your radio could display a frequency of 100.9 even though the announcer may identify the station as "FM101."

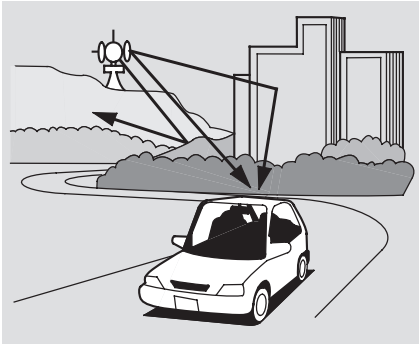
## Radio Reception

How well the radio receives stations is dependent on many factors, such as the distance from the station's transmitter, nearby large objects, atmospheric conditions, and even items stored on the roof rack.

A radio station's signal gets weaker as you get farther away from its transmitter. If you are listening to an AM station, you will notice the sound volume becoming weaker, and the station drifting in and out. If you are listening to an FM station, you will see the stereo indicator flickering off and on as the signal weakens. Eventually, the stereo indicator will go off and the sound will fade completely as you get out of range of the station's signal.



Driving very near the transmitter of a station that is broadcasting on a frequency close to the frequency of the station you are listening to can also affect your radio's reception. You may temporarily hear both stations, or hear only the station you are close to.



Radio signals, especially on the FM band, are deflected by large objects such as buildings and hills. Your radio then receives both the direct signal from the station's transmitter, and the deflected signal. This causes the sound to distort or flutter. This is a main cause of poor radio reception in city driving.



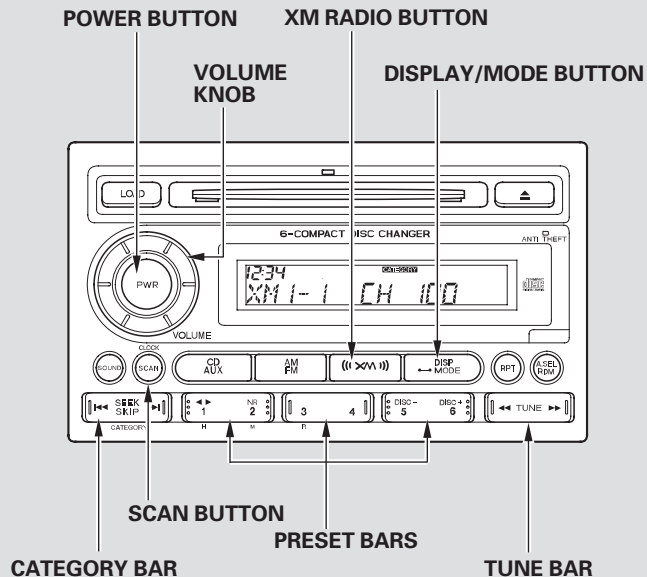
Radio reception can be affected by atmospheric conditions such as thunderstorms, high humidity, and even sunspots. You may be able to receive a distant radio station one day and not receive it the next day because of a change in conditions.

Electrical interference from passing vehicles and stationary sources can cause temporary reception problems.

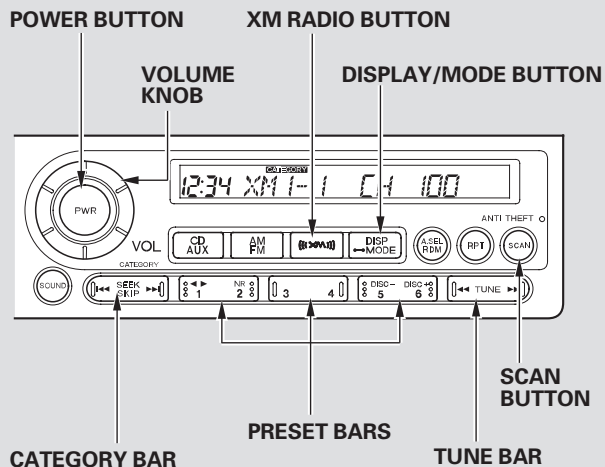
*As required by the FCC:  
Changes or modifications not expressly  
approved by the party responsible for  
compliance could void the user's  
authority to operate the equipment.*

# Playing the XM® Satellite Radio

*U.S. RTL model without navigation system*



*U.S. RTL model with navigation system*





## *U.S. RTL model only*

Your audio system is capable of receiving XM® Satellite Radio anywhere in the United States, except Hawaii and Alaska.

XM® is a registered trademark of XM Satellite Radio, Inc.

XM radio receives signals from two satellites to produce clear, high-quality digital reception. It offers many channels in several categories. Along with a large selection of different types of music, XM radio allows you to view channel and category selections in the display. The navigation system screen also shows all XM information when the AUDIO button is pressed.

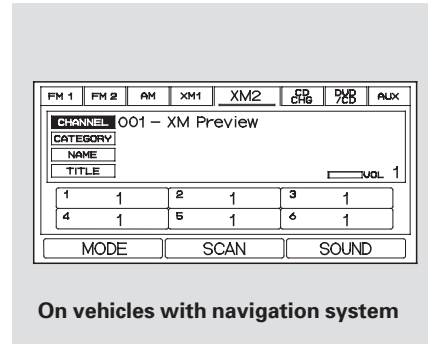
## **Operating the XM Radio**

To listen to XM radio, turn the ignition switch to the ACCESSORY (I) or ON (II) position. Push the PWR button to turn on the audio

system, and press the “XM” button. Adjust the volume by turning the volume knob. The last channel you listened to will show in the display.

You can also change to the XM radio while you are listening to an FM station, AM station, CD, etc., by touching the XM1 or XM2 icon on the audio display (navigation system screen).

**MODE** — To switch between channel mode and category mode, press and hold the DISP/MODE button until the mode changes. In channel mode, you can select all of the available channels. In category mode, such as Jazz, Rock, Classical, etc., you can select all of the channels within that category. Each time you press and release the DISP/MODE button, the display changes in the following sequence: Channel name, channel number, category, artist name, and music title.



**On vehicles with navigation system**

On the audio display, you will see the selected CHANNEL (number), CATEGORY, NAME (artist name), and TITLE (music title).

You may experience periods when XM Radio does not transmit the artist's name and song title information. If this happens, there is nothing wrong with your system.

*CONTINUED*

# Playing the XM® Satellite Radio

---

**TUNE** — Press the TUNE bar to change channel selections. Press ►► for higher numbered channels and ◀◀ for lower numbered channels. In the category mode, you can only select channels within that category.

**SEEK/SKIP (CATEGORY)** — Press either side of the CATEGORY bar (◀◀ or ►►) to select another category.

**SCAN** — The scan function gives you a sampling of all channels while in the channel mode. In the category mode, only the channels within that category are scanned. To activate scan, press the SCAN button or touch the SCAN icon on the screen. The system plays each channel in numerical order for a few seconds, then selects the next channel. When you hear a channel you want to listen to, press the button or touch the icon again.

**Preset** — You can store up to 12 preset channels using each side of the preset bar or preset icons on the screen. Each side of the bar stores one channel from the XM1 band and one channel from the XM2 band.

To store a channel:

1. Press the XM button. Either XM1 or XM2 will show in the display.
2. Use the tune, seek, or scan function to tune to a desired channel.

In category mode, only channels within that category can be selected. In channel mode, all channels can be selected.

3. Pick a preset number (icon) you want for that channel. Press and hold the bar (icon) until you hear a beep.
4. Repeat steps 2 and 3 to store the first six channels.
5. Press the XM button again or touch the other XM icon (XM1 or XM2) on the audio display. Store the next six channels using steps 2 and 3.

Once a channel is stored, press and release the proper side of the preset bar (icon) to tune to it.

## XM Radio Display Messages

**“LOADING”** – XM is loading the audio or program information.

**“OFF AIR”** – The channel currently selected is no longer broadcasting.

**“UPDATING”** – The encryption code is being updated. Wait until the encryption code is fully updated. Channels 0 and 1 should still work normally.

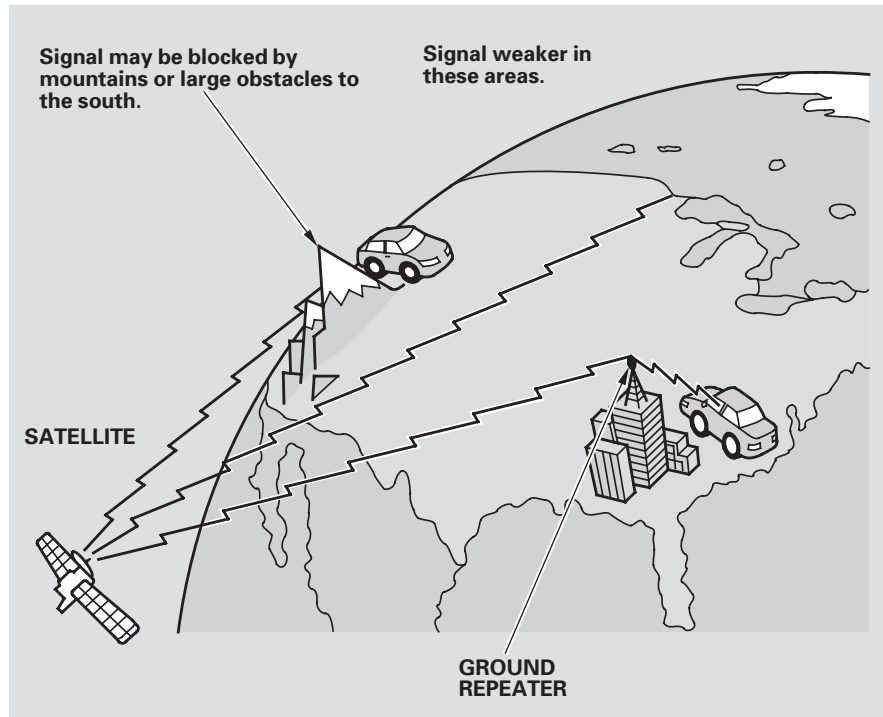
**“NO SIGNAL”** – The signal is currently too weak. Move the vehicle to an area away from tall buildings, and with an unobstructed view of the southern horizon.

**“ - - - - ”** – The selected channel number does not exist or is not part of your subscription, or this channel has no artist or title information at this time.

**“ANTENNA”** – There is a problem with the XM antenna. Please consult your dealer.

*CONTINUED*

## Playing the XM® Satellite Radio



The XM satellites are in orbit over the equator; therefore, objects south of the vehicle may cause satellite reception interruptions. To help compensate for this, ground-based repeaters are placed in major metropolitan areas.

Satellite signals are more likely to be blocked by tall buildings and mountains the farther north you travel from the equator. Carrying large items on a roof rack can also block the signal.

Depending on where you drive, you may experience reception problems. Interference can be caused by any of these conditions:

- Driving on the north side of an east/west mountain road.
- Driving on the north side of a large commercial truck on an east/west road.
- Driving in tunnels.
- Driving on a road beside a vertical wall, steep cliff, or hill to the south of you.
- Driving on the lower level of a multi-tiered road.
- Driving on a single lane road alongside dense trees taller than 50 ft. (15 m) to the south of you.
- Large items carried on a roof rack.

There may be other geographic situations that could affect XM radio reception.

*As required by the FCC:  
Changes or modifications not expressly approved by the party responsible for compliance could void the user's authority to operate the equipment.*

## **Receiving Satellite Radio Service**

If your XM Radio service has expired or you purchased your vehicle from a previous owner, you can listen to a sampling of the broadcasts available on XM Satellite Radio. With the ignition switch in the ACCESSORY (I) or ON (II) position, push the PWR button to turn on the audio system and press the XM RADIO button. A variety of music types and styles will play.

If you decide to purchase XM Satellite Radio service, contact XM Radio at [www.xmradio.com](http://www.xmradio.com), or at 1-800-852-9696. You will need to give them your radio I.D. number and your credit card number. To get your radio I.D. number, press the TUNE

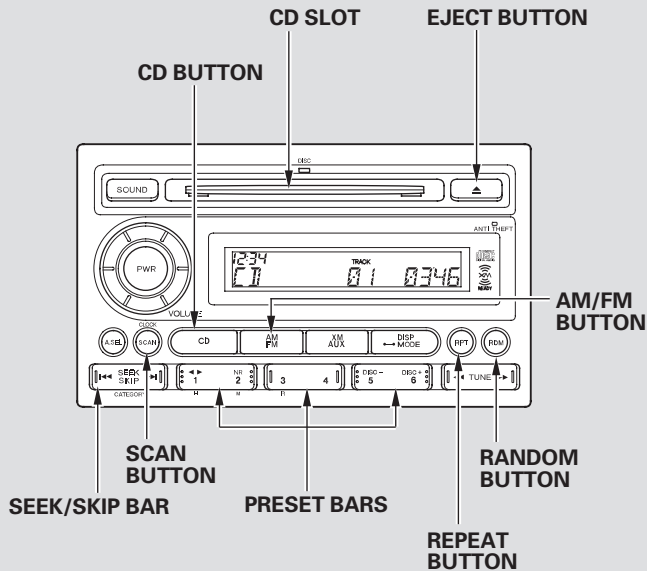
bar until "0" appears in the display. Your I.D. will appear in the display.

After you've registered with XM Radio, keep your audio system in the satellite radio mode while you wait for activation. This should take about 30 minutes.

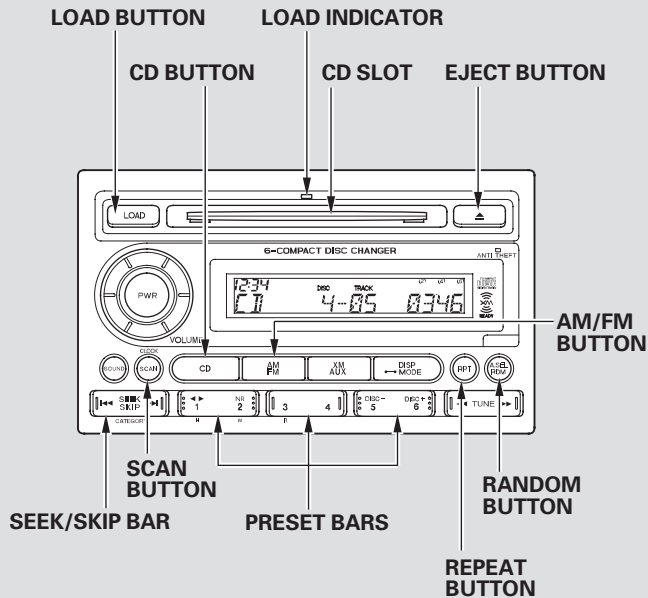
While waiting for activation, make sure your vehicle remains in an open area with good reception. Once your audio system is activated, you'll be able to listen to XM radio broadcasts. XM Radio will continue to send an activation signal to your vehicle for at least 12 hours from the activation request. If the service has not been activated after 36 hours, contact XM Radio.

# Playing a CD, CD Changer

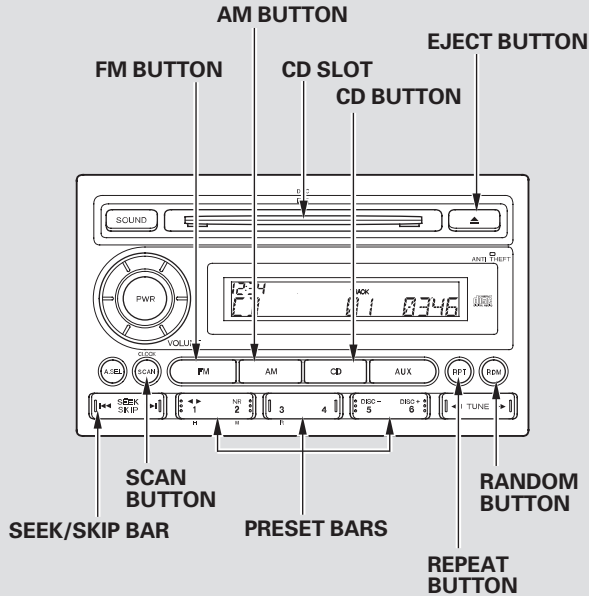
*U.S. RT and RTX models*



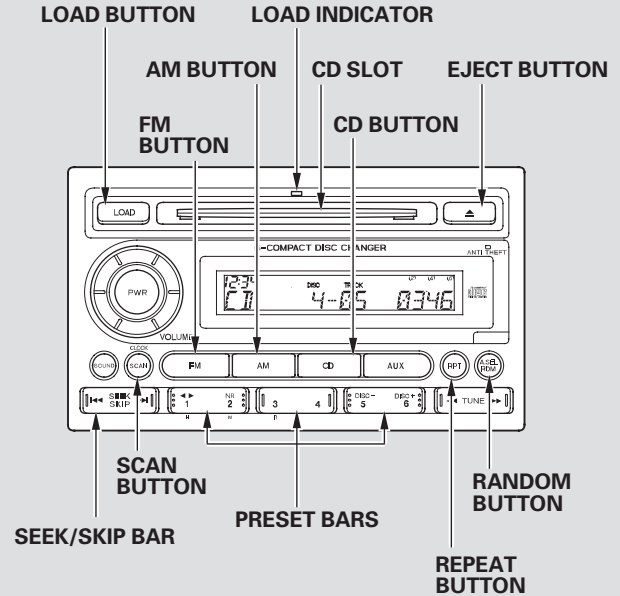
*U.S. RTS model*



*Canadian LX model*



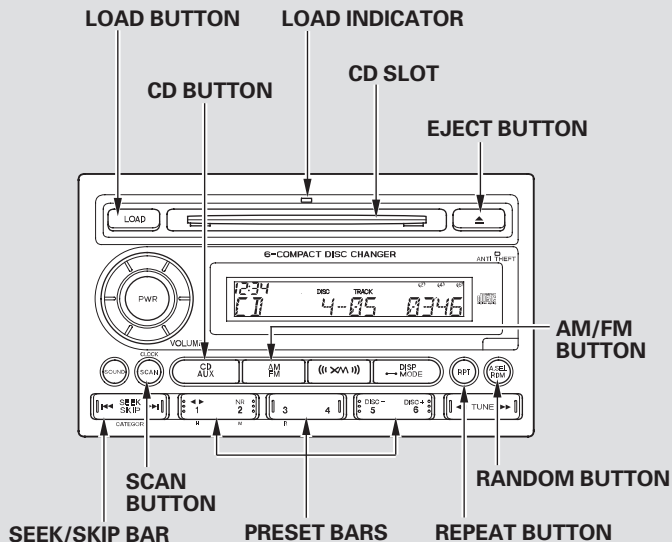
*Canadian EXL model without navigation system*



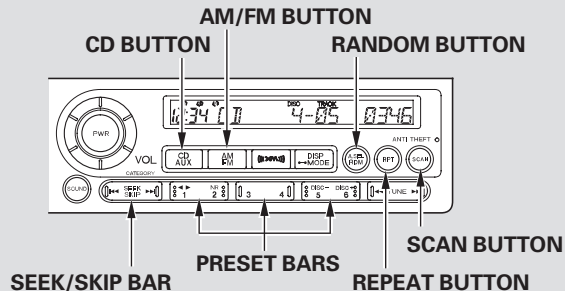
CONTINUED

# Playing a CD, CD Changer

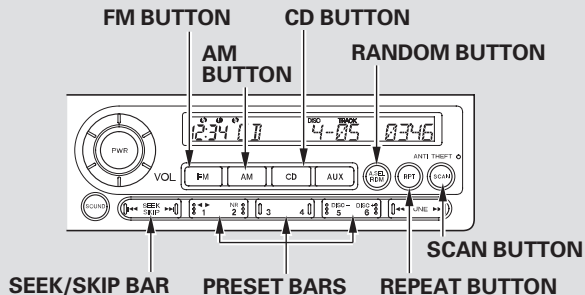
*U.S. RTL model without navigation system*



*U.S. RTL model with navigation system*



*Canadian EXL model with navigation system*





## CD Player

*RT, RTX, and Canadian LX models*

With the ignition in the ACCESSORY (I) or ON (II) position, insert a CD about halfway into the CD slot. The drive will pull the CD in the rest of the way and begin to play it. You operate the CD player with the same controls used for the radio. The number of the track playing is shown in the display. The system will continuously play a CD until you change modes.

### NOTICE

*Do not use CDs with adhesive labels. The label can curl up and cause the CD to jam in the unit.*

You can also play 3-inch (8-cm) discs without using an adapter ring.

## To Change Tracks

Push the ►► side of the SEEK/SKIP bar to play the next track on the disc. Push the ◀◀ side once to replay the track in play; press it twice to replay the previous track.

To move rapidly within a track, press and hold the ◀◀ or the ►► side of the bar.

**REPEAT** — Press the RPT button to continuously replay a track. You will see RPT in the display. Press the RPT button again to turn it off.


**RANDOM** — Press the RDM button to play the tracks in random order. You will see RDM in the display. Press the RDM button again to return to normal play.

**SCAN** — The SCAN function samples all the tracks on the selected disc in the order they are recorded. To activate it, press and release the SCAN button. You will see SCAN in the display, and you will get a 10 second sampling of each track on the selected CD. Press the SCAN button again to get out of scan mode.

## Playing a CD, CD Changer

---

### To Stop Playing a CD

Press the eject button (  ) to remove the CD. If you eject the CD, but do not remove it from the slot, the system will automatically reload the CD after 10 seconds and put it in pause mode. To begin playing, press the CD button.

Press the AM/FM button (AM or FM button) to switch to the radio while a CD is playing. Press the CD button to play the CD.

If you turn the system off while a CD is playing, either with the PWR button or by turning off the ignition, the CD stays in the drive. When you turn the system back on, the CD begins playing where it left off.

### Operating the Optional CD Changer

*RT, RTX, and Canadian LX models*

An optional six disc CD changer is available for your vehicle from your dealer.

This disc changer uses the same controls used for the in-dash CD player/changer and the radio.

Load the desired CDs into the magazine, and load the magazine into the changer according to the instructions that came with the unit.

To select the CD changer, press the AUX button. The disc and track numbers will be displayed. To select a different disc, use the preset 5 (DISC -) side for a previous disc or the preset 6 (DISC +) side to select the next disc in sequence.

If you select an empty slot in the magazine, the changer will search for the next available CD to load and play.

### Protecting Discs

For information on how to handle and protect discs, see page [159](#) .

## Operating the CD Changer

*On RTS, RTL, and Canadian EXL models*

Your audio system has an in-dash CD changer that holds up to six CDs, providing several hours of continuous entertainment. You operate this CD changer with the same controls used for the radio. To load CDs or operate the CD changer, the ignition switch must be in the ACCESSORY (I) or ON (II) position.

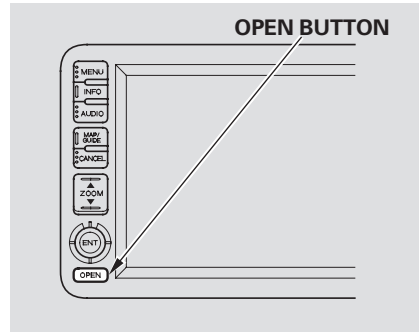
### NOTICE

*Do not use CDs with adhesive labels. The label can curl up and cause the CD to jam in the unit.*

*On vehicles with navigation system*

The CD changer is behind the navigation system screen. To use the CD changer, press the OPEN button beside the screen. The screen folds back, and the CD changer appears.

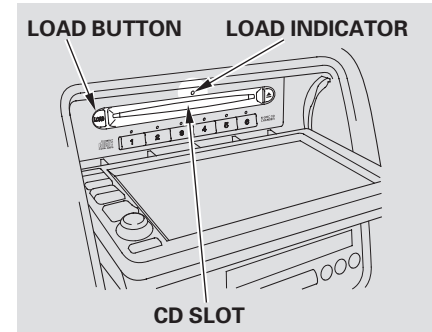
Be careful not to injure your fingers when opening or closing the navigation system screen.



To return the screen to the upright position, press the OPEN button again. Do not use the folded screen as a tray. If you put a cup, for example, on the screen, the liquid inside the cup may spill on the screen when you go over a bump.

## Loading CDs in the In-dash CD Changer

*On vehicles with navigation system*



1. Press and hold the LOAD button next to the CD slot until the load indicator above the slot turns from amber to green.

To load only one CD, press and release the LOAD button.

*CONTINUED*

## Playing a CD, CD Changer

---

2. The indicators above the disc buttons of the empty positions will blink, and the green load indicator above the CD slot comes on.

3. Insert a CD into the CD slot. Insert it only about halfway; the drive will pull it in the rest of the way. You will see “BUSY” in the display. The CD load indicator turns amber and blinks as the CD is loaded.

You cannot load and play 3-inch (8-cm) discs in this system.

4. When “LOAD” appears again in the display, insert the next CD into the CD slot.

Do not try to insert a disc until “LOAD” appears. You could damage the audio unit.

5. Repeat this until all six positions are loaded. The system will then begin playing the first CD loaded.

If you stop loading CDs before all six positions are filled, the system will wait for 10 seconds, then stop the load operation and begin playing the last CD loaded.

If you press the LOAD button while a CD is playing, the system will stop playing that CD and start the loading sequence. It will then play the CD just loaded.

You can also load a CD into an empty position while a CD is playing by pressing the appropriate disc button. Select an empty disc button (the indicator above the button is off), and press the button. The system will stop playing the current CD and start the loading sequence. It will then play the CD just loaded.

*On vehicles without navigation system*

1. Press and hold the LOAD button until you hear a beep and see “LOAD” in the display, then release the button.

To load only one CD, press and release the LOAD button.

2. On the upper right side of the display, the disc number for an empty position will begin blinking, and the green CD load indicator will come on.

3. Insert a CD into the CD slot. Insert it only about halfway; the drive will pull it in the rest of the way. You will see “BUSY” in the display. The CD load indicator turns red and blinks as the CD is loaded.

You cannot load and play 3-inch (8-cm) discs in this system.

4. When “LOAD” appears again in the display, insert the next CD into the CD slot.

Do not try to insert a disc until “LOAD” appears. You could damage the audio unit.

5. Repeat this until all six positions are loaded. The system will then begin playing the last CD loaded.

If you are not loading CDs into all six positions, press the LOAD button again after the last CD has loaded. The system will begin playing the last CD loaded.

If you stop loading CDs before all six positions are filled, the system will wait for 10 seconds, then stop the load operation and begin playing the last CD loaded.

### **To Play a CD**

Select the CD changer by pressing the CD button. You will see “CD” in the display. The system will begin playing the last selected disc in the CD changer. You will see the disc and track numbers displayed.

When that CD ends, the next CD in the CD changer is loaded and played. After the last CD finishes, the system returns to the first CD.

To select a different disc, press the appropriate side of a preset bar (1–6). On models with navigation system, touch the appropriate disc icon. If you select an empty position in the CD changer, the system will go into the loading sequence.

## Playing a CD, CD Changer

---

### To Change or Select Tracks

Each time you press and release the ►► side of the TUNE bar, the system skips forward to the beginning of the next track. Press and release the ◄◄ side to skip backward to the beginning of the current track. Press it again to skip to the beginning of the previous track.

To move rapidly within a track, press and hold the ►► or ◄◄ side of the TUNE bar.

### Track Scan

When you press the SCAN button or touch the TRACK SCAN icon on the screen, the first track of the current disc plays for about 10 seconds. You will see SCAN in the screen and in the display. To hear the rest of the track, press the SCAN button or touch the TRACK SCAN icon again within 10 seconds. If you don't, the system advances to the next track, plays about 10 seconds of it, and continues through the rest of the tracks the same way. When the system reaches the last track, TRACK SCAN is cancelled, and the CD plays normally.

### Disc Scan

*On vehicles with navigation system*

When you press the SCAN button, or when you touch the DISC SCAN icon on the screen, the first track of the current CD plays for about 10 seconds. You will see D-SCAN in the display and DISC SCAN in the screen. To hear the rest of the CD, press the SCAN button or touch the DISC SCAN icon again, within 10 seconds. If you don't, the system advances to the next disc, plays about 10 seconds of it, and continues throughout the rest of the CDs the same way. When the system reaches the last disc, DISC SCAN is cancelled, and the CD plays normally.

### Track Repeat

When you press and release the RPT button or touch the TRACK REPEAT icon on the screen, the system continuously replays the current track. As a reminder, you will see RPT (TRACK REPEAT) in the display. To turn this feature off, press the RPT button, or touch the TRACK REPEAT icon again.

### Disc Repeat

*On vehicles with navigation system*

When you press and hold the RPT button until D-RPT (DISC REPEAT) is in the display, or when you touch the DISC REPEAT icon on the screen, the system continuously replays the current disc. As a reminder, you will see D-RPT in the display.

### Random Play within a Disc

When you press the RDM button or touch the TRACK RANDOM icon on the screen, the system plays the tracks of the current disc in random order. You will see RDM (TRACK RANDOM) in the display. To turn this feature off, press the RDM button (touch TRACK RANDOM) again.

*On vehicles with navigation system*  
Operation of DISC SCAN and DISC REPEAT on the screen is possible only when the screen is in the upright position.

## Playing a CD, CD Changer

---

### To Stop Playing a Disc

To take the system out of CD mode, press the AM/FM button (AM or FM button) or XM button (U.S. models). Each time you press the AM/FM button (AM or FM button), the system changes to the next mode (AM, FM1, or FM2). When you return to CD mode by pressing the CD button, play will continue where it left off.

If you turn the system off while a CD is playing, either with the PWR button or the ignition switch, play will continue at the same point when you turn it back on.

### Removing CDs from the In-dash CD Changer

To remove the disc that is currently playing, press the eject button. You will see “EJECT” in the display. When you remove the disc from the slot, the system begins the load sequence so you can load another disc in that position. If you do not load another CD within 10 seconds, the system selects the previous mode [AM, FM1, FM2, or XM Radio (U.S. models)].

If you do not remove the CD from the slot, the system will reload the CD after 10 seconds and put the CD changer in pause mode. To begin playing the CD, press the CD button.

To remove the disc from the changer, first select it by pressing the appropriate preset bar or corresponding number on the screen. When that disc begins playing, press the eject button.

When you press the eject button while listening to the radio, or with the audio system turned off, the disc that was last selected is ejected. After that disc is ejected, pressing the eject button again will eject the next disc in numerical order. By doing this six times, you can remove all the discs from the changer.

You can also eject discs when the ignition switch is on or off:

To eject one disc, press and release the eject button.

To eject all discs, press and hold the eject button until the LOAD indicator begins to blink.



## General Information

- When using CD-R or CD-RW discs, use only high quality CDs labeled for audio use.
- When recording a CD-R or CD-RW, the recording must be closed for it to be used by the system.
- Play only standard round CDs. Odd-shaped CDs may jam in the drive or cause other problems.
- Handle your CDs properly to prevent damage and skipping.

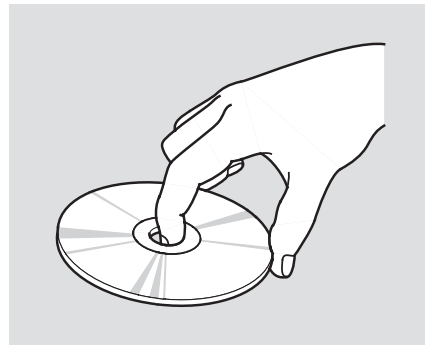
## Protecting CDs

When a CD is not being played, store it in its case to protect it from dust and other contamination. To prevent warpage, keep CDs out of direct sunlight and extreme heat.

To clean a CD, use a clean soft cloth. Wipe across the CD from the center to the outside edge.

A new CD may be rough on the inner and outer edges. The small plastic pieces causing this roughness can flake off and fall on the recording surface of the CD, causing skipping or other problems. Remove these pieces by rubbing the inner and outer edges with the side of a pencil or pen.

Never try to insert foreign objects in the CD player or the CD changer.



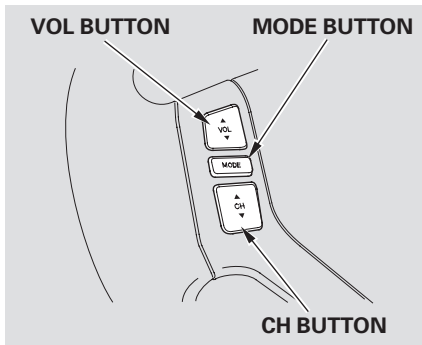
Handle a CD by its edges; never touch either surface. Do not place stabilizer rings or labels on the CD. These, along with contamination from fingerprints, liquids, and felt-tip pens, can cause the CD to not play properly or possibly jam in the drive.

## CD Player/Changer Error Messages

---

If you see an error message in the display while playing a CD, find the cause in the chart to the right. If you cannot clear the error message, take the vehicle to your dealer.

Message	Cause	Solution
<i>CD DISC ERROR</i>	Focus Error	Press the disc eject button, and remove the disc(s). Check for an error indication. Insert the disc(s) again. If the code does not disappear or the disc(s) cannot be removed, consult your dealer.
<i>CD MECH ERROR</i>	Mechanical Error	Press the disc eject button, and remove the disc(s). Check for an error indication. Insert the disc(s) again. If the code does not disappear or the disc(s) cannot be removed, consult your dealer.
<i>CD HEAT ERROR</i>	High Temperature	Will disappear when the temperature returns to normal.



*On RTS, RTL, and Canadian EXL models*

Three controls for the audio system are mounted in the steering wheel hub. They let you control basic functions without removing your hand from the steering wheel.

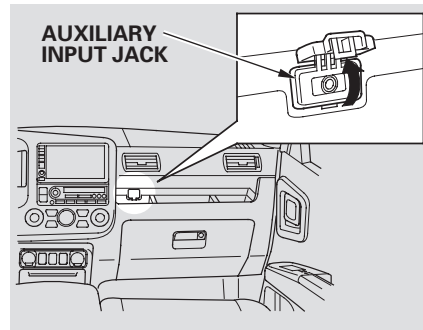
The VOL button adjusts the volume up (▲) or down (▼). Press the top or bottom of the button, hold it until the desired volume is reached, then release it.

The MODE button changes the mode. Pressing the button repeatedly selects FM1, FM2, AM, XM Radio (U.S. models), CD (if a disc is loaded) or a tape (if the optional tape player is installed and a tape is loaded).

If you are listening to the radio, use the CH button to change stations. Each time you press the top (▲) of the button, the system goes to the next preset station on the band you are listening to. Press the bottom (▼) to go back to the previous station.

If you are playing a CD, the system skips to the beginning of the next track each time you press the top (▲) of the CH button. Press the bottom (▼) to return to the beginning of the current track. Press it again to return to the previous track. You will see the disc and track numbers in the display.

## Auxiliary Input Jack



*On vehicles with navigation system*

The auxiliary input jack is on the tray above the glove box. The system will accept auxiliary input from standard audio accessories.

When the appropriate audio unit is connected to the auxiliary input jack, press the CD/AUX or AUX button to select the unit.

## Radio Theft Protection

---

Your vehicle's audio system will disable itself if it is disconnected from electrical power for any reason. To make it work again, you must enter a specific code with the preset bars. Because there are hundreds of number combinations possible from the five digits, making the system work without knowing the exact code is nearly impossible.

You should have received a card that lists your audio system's code and serial numbers. It is best to store this card in a safe place at home. In addition, you should write the audio system's serial number in this owner's manual.

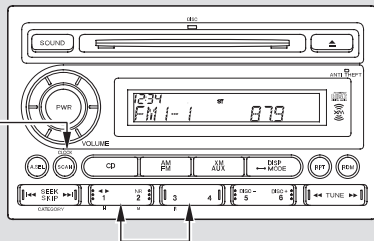
If you lose the card, you must obtain the code number from your dealer. To do this, you will need the audio system's serial number.

If your vehicle's battery is disconnected or goes dead, or the radio fuse is removed, the audio system will disable itself. If this happens, you will see "CODE" in the frequency display the next time you turn on the system. Use the preset bars to enter the code. The code is located on the radio code card included in your owner's manual kit. When it is entered correctly, the radio will start playing.

If you make a mistake entering the code, do not start over; complete the sequence, then enter the correct code. You have ten tries to enter the correct code. If you are unsuccessful in ten attempts, you must then leave the system on for 1 hour before trying again.

**RT, RTX, and Canadian LX models**

**CLOCK SET BUTTON**

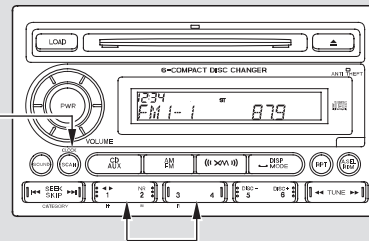


U.S. models are shown.

**PRESET BARS**

**RTS, RTL, and Canadian EXL models**

**CLOCK SET BUTTON**



**PRESET BARS**

*On vehicles without Navigation System*  
If your vehicle's battery is disconnected or goes dead, you will need to set the clock.

To set the time, press the clock set button until you hear a beep. The displayed time begins to blink.

Press and hold the H (Preset 1) side of the bar until the hour advances to the desired time. Press and hold the M (Preset 2) side of the bar until the minutes advance to the desired time.

Press the clock set button again to enter the set time.

You can quickly set the time to the nearest hour. If the displayed time is before the half hour, pressing the clock set button until you hear a beep, then pressing the R (Preset 3) side of the bar sets the clock back to the previous hour.

If the displayed time is after the half hour, the clock sets forward to the beginning of the next hour.

For example: 1:06 will reset to 1:00  
1:52 will reset to 2:00

*On models with Navigation System*  
The navigation system receives signals from the global positioning system (GPS), and the displayed time is updated automatically by the GPS. Refer to the navigation system manual for how to adjust the time.

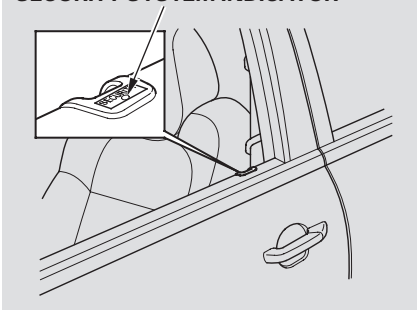
## Security System

### *If equipped*

The security system helps to protect your vehicle and valuables from theft. The horn sounds and a combination of headlights, parking lights, license plate lights, and taillights flash if someone attempts to break into your vehicle or remove the radio. This alarm continues for 2 minutes, then the system resets. To reset an alarming system before the 2 minutes have elapsed, unlock the driver's door with the key or the remote transmitter.

The security system automatically sets 15 seconds after you lock the doors, hood, and the In-Bed Trunk. For the system to activate, you must lock the doors from the outside with the key, driver's lock tab, door lock switch, or remote transmitter. The security system indicator above the driver's door lock tab starts blinking immediately to show you the system is setting itself.

### SECURITY SYSTEM INDICATOR



Once the security system is set, opening any door (without using the key or the remote transmitter), the hood, or the In-Bed Trunk, will cause it to alarm. It also alarms if the radio and navigation components are removed from the dashboard or the wiring is cut.

The security system will not set if the hood, In-Bed Trunk, or any door is not fully closed. If the system will not set, check the door and tailgate open monitor and In-Bed Trunk open indicator on the instrument panel (see pages 64 and 69 ) to see if the doors and In-Bed Trunk are fully closed. Since it is not part of the monitor display, manually check the hood.

**NOTE:** Use the remote transmitter to quickly check that the hood, In-Bed Trunk, and all doors are closed. Push the lock button twice within 5 seconds. There should be an audible confirmation beep.

Do not attempt to alter this system or add other devices to it.

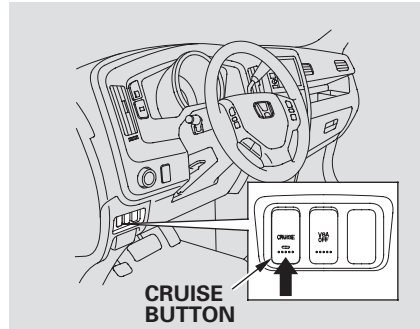
Cruise control allows you to maintain a set speed above 25 mph (40 km/h) without keeping your foot on the accelerator pedal. It should be used for cruising on straight, open highways. It is not recommended for city driving, winding roads, slippery roads, heavy rain, or bad weather.

### **⚠ WARNING**

Improper use of the cruise control can lead to a crash.

Use the cruise control only when traveling on open highways in good weather.

### Using the Cruise Control

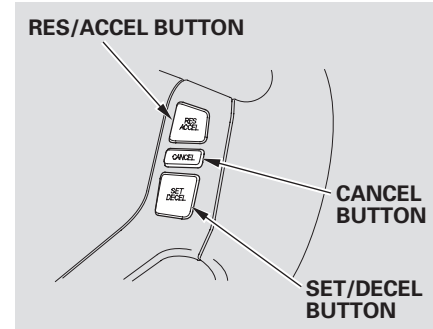


1. Push the CRUISE button. The indicator in the button will come on.

#### **NOTE:**

The main switch can be left on, even when the system is not in use.

2. Accelerate to the desired cruising speed above 25 mph (40 km/h).



3. Press and release the SET/DECEL button on the steering wheel. The indicator on the instrument panel comes on to show the system is now activated.

*CONTINUED*

# Cruise Control

---

Cruise control may not hold the set speed when you are going up and down hills. If your speed increases going down a hill, use the brakes to slow down. This will cancel cruise control. To resume the set speed, press the RES/ACCEL button. The indicator on the instrument panel will come back on.

When climbing a steep hill, the automatic transmission may downshift to hold the set speed.

## Changing the Set Speed

You can increase the set cruising speed in any of these ways:

- Press and hold the RES/ACCEL button. When you reach the desired cruising speed, release the button.
- Push on the accelerator pedal. Accelerate to the desired cruising speed, then press the SET/DECEL button.
- To increase your speed in very small amounts, tap the RES/ACCEL button. Each time you do this, the vehicle will speed up about 1 mph (1.6 km/h).

You can decrease the set cruising speed in any of these ways:

**NOTE:** If you need to decrease your speed quickly, use the brakes as you normally would.

- Press and hold the SET/DECEL button. Release the button when you reach the desired speed.
- To slow down in very small amounts, tap the SET/DECEL button. Each time you do this, your vehicle will slow down about 1 mph (1.6 km/h).
- Tap the brake pedal lightly with your foot. The CRUISE CONTROL indicator on the instrument panel will go out. When the vehicle slows to the desired speed, press the SET/DECEL button.



Even with cruise control turned on, you can still use the accelerator pedal to speed up for passing. After completing the pass, take your foot off the accelerator pedal. The vehicle will return to the set cruising speed.

Resting your foot on the brake pedal causes cruise control to cancel.

## Canceling Cruise Control

You can cancel cruise control in any of these ways:

- Tap the brake pedal.
- Push the CANCEL button on the steering wheel.
- Push the CRUISE button on the dashboard.

## Resuming the Set Speed

When you push the CANCEL button or tap on the brake pedal, the system will remember the previously set cruising speed. To return to that speed, accelerate to above 25 mph (40 km/h) and then press and release the RES/ACCEL button. The CRUISE CONTROL indicator comes on. The vehicle will accelerate to the same cruising speed as before.

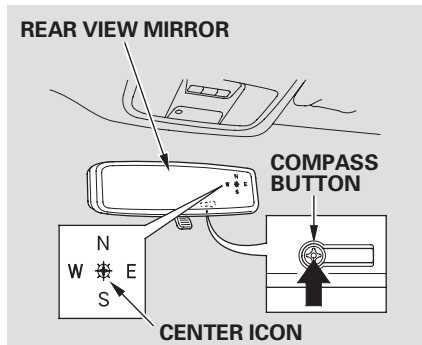
Pressing the CRUISE button turns the system off and erases the previous cruising speed.

# Compass

## Compass Function

*If equipped*

Your vehicle has a compass in the rear view mirror. The compass indicates the vehicle direction with illuminated letters; N (north), S (south), W (west), and E (east). The center blue icon in the compass is always on. It serves as a reference point.



The direction and center position icons come on when you turn the ignition switch to the ON (II) position. The system then begins to check the vehicle direction and illuminates the appropriate icon(s).

To turn the compass on or off, press the compass button on the back of the rear view mirror.

The compass can be affected by driving near power lines or stations, across bridges, through tunnels, over railroad crossings, past large vehicles, or driving near large objects that cause magnetic interference. It can also be affected by accessories such as antennas and roof racks that are mounted by magnets.

The compass mirror has a light sensor behind the right side of the rear view mirror. Make sure the extended sun visor or an accessory is not covering the sensor.

### Compass Calibration

The compass may need to be manually calibrated after exposure to a strong magnetic field. If the compass seems to continually show the wrong direction, do this.

**NOTE:** Do this procedure in an open area, away from buildings, power lines, and other vehicles.

1. With the blue center icon displayed, press and hold the compass button for about 6 seconds. When the center icon turns red, release the button.

2. Drive the vehicle slowly in circles at less than 5 mph (8 km/h) until the center icon turns blue. This icon also turns blue by continuing to drive the vehicle under normal driving conditions. When you see an actual heading on the compass, calibration is completed.

### Compass Zone Selection

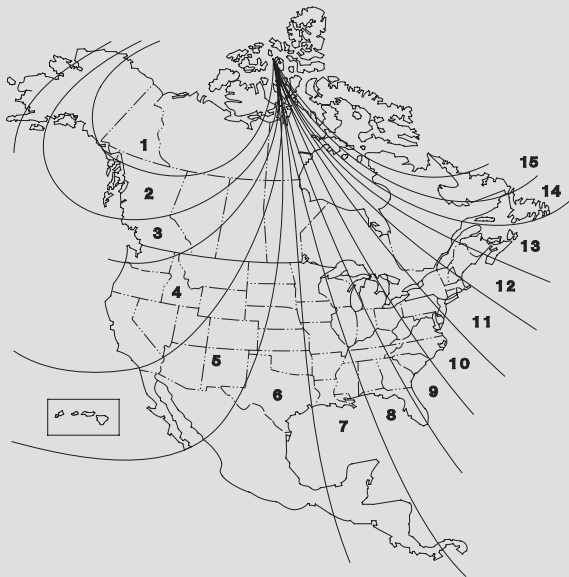
In most areas, there is a variation between magnetic north and true north. Zone selection is required so the compass can compensate for this variation. To check and select the zone, do this:

1. Find the zone for your area on the zone map (see page 170). Each zone number (1 through 15) corresponds to a compass zone on the table (see page 170).

2. Press and hold the compass button for about 3 seconds. When all of the direction icons begin to blink, release the button.
3. The blue direction icon(s) blink and show the current zone.
4. If the zone is incorrect, press and release the compass button repeatedly to get to the correct number.
5. The compass will return to the normal display about 4 seconds after you stop adjusting a zone number.

*CONTINUED*

## Zone Map



## Compass Display for Each Zone

1	○ ○ ○	○ ○ ○	E	6	W	○ ○ ○	S	11	○ ○ ○	N	○ ○ ○	E
2	○ ○ ○	○ ○ ○	S	7	W	○ ○ ○	S	12	○ ○ ○	N	W	○ ○ ○
3	○ ○ ○	○ ○ ○	E	8	○ ○ ○	○ ○ ○	N	13	○ ○ ○	W	○ ○ ○	N
4	○ ○ ○	○ ○ ○	W	9	○ ○ ○	○ ○ ○	N	14	○ ○ ○	W	○ ○ ○	N
5	○ ○ ○	○ ○ ○	W	10	○ ○ ○	○ ○ ○	N	15	○ ○ ○	W	○ ○ ○	N

### *If equipped*

The HomeLink® universal transceiver built into your vehicle can be programmed to operate up to three remotely controlled devices around your home, such as garage doors, lighting, or home security systems.

### **General Information**

If you are training HomeLink to operate a garage door or gate, you should unplug the motor for that device during training. Repeatedly pressing the remote control button could burn out the motor.

HomeLink stores the code in a permanent memory. There should be no need to retrain HomeLink if your vehicle's battery goes dead or is disconnected. If your garage door opener was manufactured before April 1982, you may not be able to program HomeLink to operate it. They do not have the safety feature

that causes the motor to stop and reverse if an obstacle is detected during closing, increasing the risk of injury.

### **Important Safety Precautions**

Always refer to the opening instructions and safety information that came with your garage door opener or other equipment you intend to operate with HomeLink. If you do not have this information, contact the manufacturer of the equipment.

For quick and accurate training, make sure the remote transmitter for the device (garage door, automatic gate, security system, etc.) has a fresh battery.

### **Training HomeLink**

***Before you begin*** — If you just received your vehicle and have not trained any of the buttons in HomeLink before, you should erase any previously learned codes before training the first button.

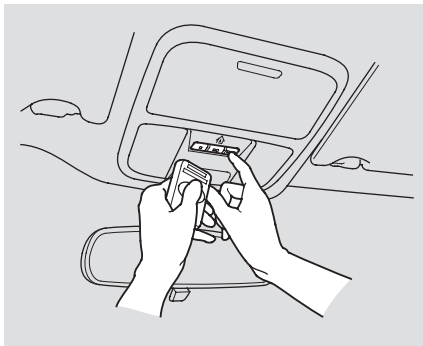
To do this, press and hold the two outside buttons on the HomeLink transceiver for about 20 seconds, until the red indicator flashes. Release the buttons, then proceed to step 1.

If you are training the second or third buttons, go directly to step 1.

1. Unplug the garage door opener motor from the electrical outlet.
2. Hold the end of the garage door opener remote transmitter 2 to 5 inches from HomeLink. Make sure you are not blocking your view of the red indicator in HomeLink.

*CONTINUED*

# HomeLink Universal Transceiver



3. Press and hold the remote transmitter button and one of the HomeLink buttons at the same time.
  - If the red indicator in HomeLink begins to flash slowly at first, then rapidly, release both buttons, and go to step 5.

- If the red indicator in HomeLink continues to flash slowly (does not flash rapidly), your remote transmitter may stop transmitting after a short time. Go to step 4.
4. Press and hold the remote transmitter button and one of the HomeLink buttons at the same time. While continuing to hold the HomeLink button, press and release the remote transmitter button every 2 seconds.
    - If the red indicator in HomeLink begins to flash slowly at first, then rapidly, release both buttons, and go to step 5.
    - If the red indicator in HomeLink continues to flash slowly (does not begin to flash rapidly), repeat steps 2 thru 4.
  5. Plug in the garage door opener motor, then test the HomeLink button by pushing it for about 1

second.

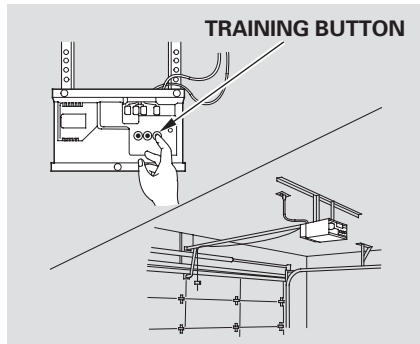
- If the button works, programming is complete.
  - If the button does not work go to step 6.
6. Push and hold the HomeLink button for a few seconds, then watch the red indicator on HomeLink.
    - If the indicator stays on or flashes slowly, repeat steps 2 thru 5.
    - If the indicator flashes rapidly for 2 seconds then stays on, you have a rolling code transmitter: go to “Training with a Rolling Code System” (see page 173).
  7. Repeat these steps to train the other two HomeLink buttons to operate any other compatible remotely controlled devices around your home (lighting, automatic gate, security system, etc.).

## Training With a Rolling Code System

For security purposes, newer garage door opening systems use a “rolling” or variable code. Information from the remote control and the garage door opener are needed before HomeLink can operate the garage door opener.

The “Training HomeLink” procedure trains HomeLink to the proper garage door opener code. The following procedure synchronizes HomeLink to the garage door opener so it sends and receives the correct codes.

1. Make sure you have properly completed the “Training HomeLink” procedure.
2. Find the “training” button on your garage door opener unit. The location will vary, depending on the manufacturer.



3. Press the training button on the garage door opener unit until the indicator next to the button comes on. The indicator may blink, or come on and stay on. You then have approximately 30 seconds to complete the following steps.

4. Press and hold the button on HomeLink for 3 to 4 seconds.
5. Press and hold the HomeLink button again for 3 to 4 seconds. This should turn off the training indicator on the garage door opener unit. (Some systems may require you to press the button up to three times.)
6. Press the HomeLink button again for about 1 second. It should operate the garage door.

# HomeLink Universal Transceiver

---

## Erasing Codes

To erase the codes stored in all three buttons, press and hold the two outside buttons until the red indicator begins to flash, then release the buttons.

You should erase all three codes before selling the vehicle.

## Retraining a Button

If you want to retrain a programmed button for a new device, you do not have to erase all button memory. You can replace the existing memory code using this procedure:

1. Press and hold the HomeLink button to be trained until the HomeLink indicator begins to flash slowly.
  - If a rolling code transmitter was previously programmed, the indicator will flash rapidly for 2 seconds, and then stay on for about 23 seconds.

- If a standard transmitter was programmed, the indicator will stay on for about 25 seconds.

2. Once the HomeLink indicator begins to flash slowly, continue to hold the HomeLink button, and follow steps 3 thru 6 under “Training HomeLink” (see page 171).

## Customer Assistance

If you have problems with training the HomeLink Universal Transceiver, or would like information on home products that can be operated by HomeLink, call (800) 355-3515. On the Internet, go to [www.homelink.com](http://www.homelink.com).

HomeLink® is a registered trademark of Johnson Controls, Inc.

*As required by the FCC:*

*This device complies with Part 15 of the FCC rules. Operation is subject to the following two conditions: (1) This device may not cause harmful interference, and (2) this device must accept any interference received, including interference that may cause undesired operation.*

*Changes or modifications not expressly approved by the party responsible for compliance could void the user's authority to operate the equipment.*

*This device complies with Industry Canada Standard RSS-210.*

*Operation is subject to the following two conditions: (1) this device may not cause interference, and (2) this device must accept any interference that may cause undesired operation of the device.*



## Tire Pressure Monitoring System (TPMS) – Required Federal Explanation

Each tire, including the spare (if provided), should be checked monthly when cold and inflated to the inflation pressure recommended by the vehicle manufacturer on the vehicle placard or tire inflation pressure label.

(If your vehicle has tires of a different size than the size indicated on the vehicle placard or tire inflation pressure label, you should determine the proper tire inflation pressure for those tires.)

As an added safety feature, your vehicle has been equipped with a tire pressure monitoring system (TPMS) that illuminates a low tire pressure telltale



when one or more of your tires is significantly under-inflated.

Accordingly, when the low tire pressure telltale illuminates, you should stop and check your tires as soon as possible, and inflate them to the proper pressure.

Driving on a significantly under-inflated tire causes the tire to overheat and can lead to tire failure. Under-inflation also reduces fuel efficiency and tire tread life, and may affect the vehicle's handling and stopping ability.

Please note that the TPMS is not a substitute for proper tire maintenance, and it is the driver's responsibility to maintain correct tire pressure, even if under-inflation has not reached the level to trigger illumination of the TPMS low tire pressure telltale.

*CONTINUED*

## Tire Pressure Monitoring System (TPMS) – Required Federal Explanation

---

Your vehicle has also been equipped with a TPMS malfunction indicator to indicate when the system is not operating properly. The TPMS malfunction indicator is provided by a separate telltale, which displays the symbol “TPMS” when illuminated.

When the malfunction indicator is illuminated,

**TPMS**

the system may not be able to detect or signal low tire pressure as intended.

TPMS malfunctions may occur for a variety of reasons, including the installation of replacement or alternate tires or wheels on the vehicle that prevent the TPMS from functioning properly.

Always check the TPMS malfunction telltale after replacing one or more tires or wheels on your vehicle to ensure that the replacement or alternate tires and wheels allow the TPMS to continue to function properly.

Before you begin driving your vehicle, you should know what gasoline to use and how to check the levels of important fluids. You also need to know how to properly store luggage or packages. The information in this section will help you. If you plan to add any accessories to your vehicle, please read the information in this section first.

Break-in Period .....	178
Fuel Recommendation .....	178
Service Station Procedures .....	179
Refueling.....	179
Opening and Closing the Hood.....	181
Oil Check .....	182
Engine Coolant Check .....	182
Fuel Economy .....	183
Accessories and Modifications ....	184
Carrying Cargo .....	186

# Break-in Period, Fuel Recommendation

---

## Break-in Period

Help assure your vehicle's future reliability and performance by paying extra attention to how you drive during the first 600 miles (1,000 km). During this period:

- Avoid full-throttle starts and rapid acceleration.
- Avoid hard braking for the first 200 miles (300 km).
- Do not change the oil until the scheduled maintenance time.
- Do not tow a trailer.

You should also follow these recommendations with an overhauled or exchanged engine, or when the brakes are replaced.

## Fuel Recommendation

Your vehicle is designed to operate on unleaded gasoline with a pump octane number of 87 or higher. Use of a lower octane gasoline can cause a persistent, heavy metallic rapping noise that can lead to engine damage.

We recommended using a quality gasoline containing detergent additives that help prevent fuel system and engine deposits.

In addition, in order to maintain good performance, fuel economy, and emissions control, we strongly recommend, in areas where it is available, the use of gasoline that does NOT contain manganese-based fuel additives such as MMT.

Use of gasoline with these additives may adversely affect performance, and cause the malfunction indicator lamp on your instrument panel to come on. If this happens, contact

your authorized dealer for service.

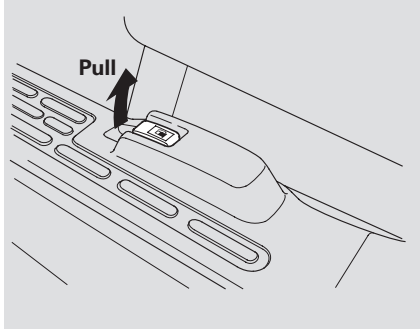
Some gasoline today is blended with oxygenates such as ethanol or MTBE. Your vehicle is designed to operate on oxygenated gasoline containing up to 10 % ethanol by volume and up to 15 % MTBE by volume. Do not use gasoline containing methanol.

If you notice any undesirable operating symptoms, try another service station or switch to another brand of gasoline.

Premium fuel is recommended when towing in certain conditions (see page [224](#)).

For further important fuel-related information, please refer to your **Quick Start Guide**.

## Refueling

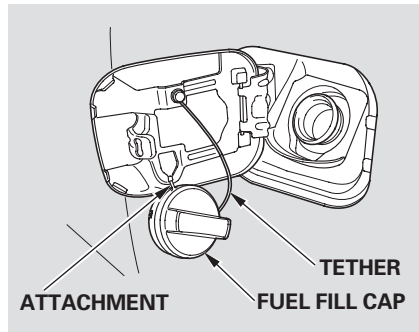


1. Park with the driver's side closest to the service station pump.
2. Open the fuel fill door by pulling on the handle to the left of the driver's seat.

### **⚠ WARNING**

Gasoline is highly flammable and explosive. You can be burned or seriously injured when handling fuel.

- Stop the engine, and keep heat, sparks, and flame away.
- Handle fuel only outdoors.
- Wipe up spills immediately.



3. Remove the fuel fill cap slowly. You may hear a hissing sound as pressure inside the tank escapes. The fuel fill cap is attached to the fuel filler with a tether. Insert the attachment on the fuel fill cap into the slit on the fuel fill door.
4. Stop filling the tank after the fuel nozzle automatically clicks off. Do not try to "top off" the tank. Leave some room for the fuel to expand with temperature changes.

*If the fuel nozzle keeps clicking off even though the tank is not full, there may be a problem with your vehicle's fuel vapor recovery system. The system helps keep fuel vapors from going into the atmosphere. Try filling at another pump. If this does not fix the problem, consult your dealer.*

CONTINUED

5. Screw the fuel fill cap back on until it clicks at least once. If you do not properly tighten the cap, the malfunction indicator lamp may come on (see page 289 ). You will also see a “TIGHTEN FUEL CAP” message on the information display.
6. Push the fuel fill door closed until it latches.

### *Filling a Portable Fuel Container*

Whenever filling a fuel container, use an approved fuel container, and place it on the ground. Do not fill the fuel container in the vehicle, including the pickup bed and the In-Bed Trunk. Make sure to put the fuel pump nozzle in the fuel filler of the container securely and to handle it properly.

Gasoline or fuel vapors are extremely flammable and explosive. Improperly handling fuel can cause an explosion in which you can be seriously injured.

Before placing the fuel container in the vehicle, wipe up any spill completely.

Your vehicle has a warning label for filling a portable fuel container on the left rear side of the pickup bed.

### **WARNING**

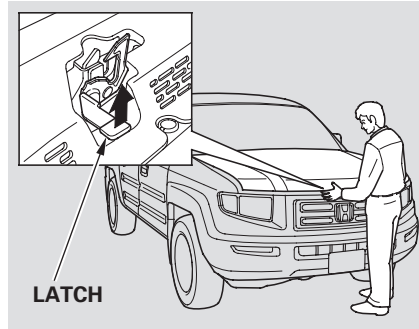
Do not fill a portable fuel container in the pickup bed.

Static electricity can ignite gas vapors and you can be burned.

## Opening and Closing the Hood

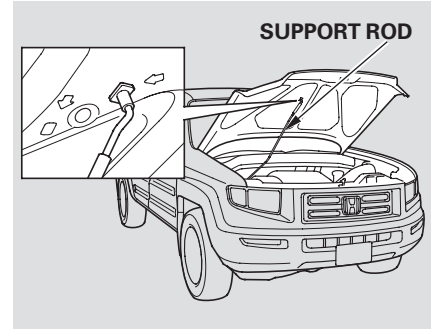


1. Park the vehicle, and set the parking brake. Pull the hood release handle under the lower left corner of the dashboard. The hood will pop up slightly.



2. Put your fingers under the front edge of the hood. The hood latch handle is above the "H" logo. Pull this handle until it releases the hood, then lift the hood.

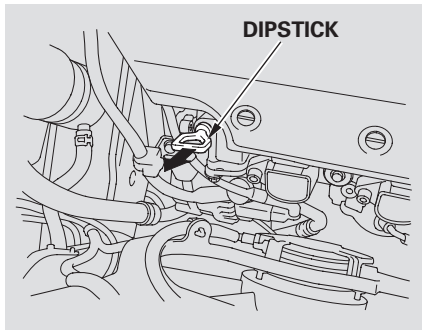
If the hood latch handle moves stiffly, or you can open the hood without lifting the handle, the mechanism should be cleaned and lubricated.



3. Pull the support rod out of its clip, and insert the end into either of the designated holes pointed to by an arrow.

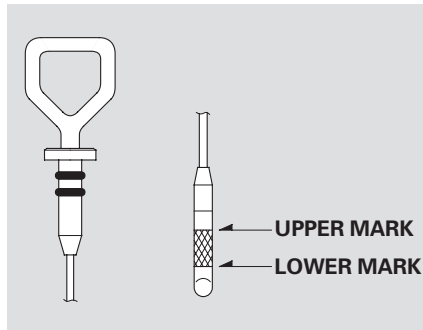
To close the hood, lift it up slightly to remove the support rod from the hole. Put the support rod back into its holding clip. Lower the hood to about a foot (30 cm) above the fender, then let it drop. Make sure it is securely latched.

## Oil Check



Wait a few minutes after turning the engine off before you check the oil.

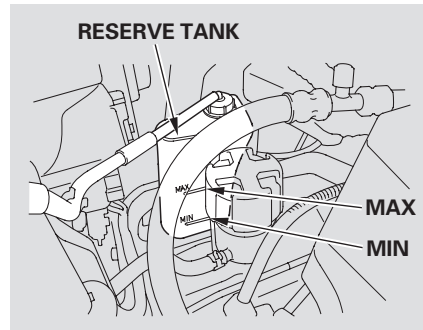
1. Remove the dipstick (orange loop).
2. Wipe off the dipstick with a clean cloth or paper towel.
3. Insert the dipstick all the way back into its hole.



4. Remove the dipstick again, and check the level. It should be between the upper and lower marks.

If it is near or below the lower mark, see **Adding Engine Oil** on page [246](#).

## Engine Coolant Check



Look at the coolant level in the radiator reserve tank. Make sure it is between the MAX and MIN lines. If it is below the MIN line, see **Adding Engine Coolant** on page [249](#) for information on adding the proper coolant.

Refer to **Owner's Maintenance Checks** on page [241](#) for information about checking other items on your vehicle.



## Improving Fuel Economy

- Always maintain your vehicle according to the maintenance messages displayed on the information display. See **Owner's Maintenance Checks** on page 241 .

*For example*, an underinflated tire causes more “rolling resistance,” which uses more fuel.

The build-up of snow or mud on your vehicle's underside or on the truck bed adds weight and rolling resistance. Frequent cleaning helps your fuel mileage and reduces the chance of corrosion.

- Drive moderately. Rapid acceleration, abrupt cornering, and hard braking use more fuel.
- Always drive in the highest gear possible.

- Try to maintain a constant speed. Every time you slow down and speed up, your vehicle uses extra fuel. Use cruise control when appropriate.
- Combine several short trips into one.
- The air conditioning puts an extra load on the engine which makes it use more fuel. Use the fresh-air ventilation when possible.

# Accessories and Modifications

---

Modifying your vehicle, or installing some non-Honda accessories, can make it unsafe. Before you make any modifications or add any accessories, be sure to read the following information.

## Accessories

Your dealer has Honda accessories that allow you to personalize your vehicle. These accessories have been designed and approved for your vehicle, and are covered by warranty.

Although non-Honda accessories may fit on your vehicle, they may not meet factory specifications, and could adversely affect your vehicle's handling and stability.

## WARNING

Improper accessories or modifications can affect your vehicle's handling, stability, and performance, and cause a crash in which you can be hurt or killed.

Follow all instructions in this owner's manual regarding accessories and modifications.

***Your vehicle should not be used to carry a slide-in camper.***

If you install a truck cap, be sure it is properly installed and does not exceed your vehicle's load limits (see page [187](#)).

When properly installed, cellular phones, alarms, two-way radios, and low-powered audio systems should not interfere with your vehicle's computer controlled systems, such as your airbags and anti-lock brakes.

Before installing any accessory:

- Make sure the accessory does not obscure any lights, or interfere with proper vehicle operation or performance.
- Be sure electronic accessories do not overload electrical circuits (see page [291](#)) or interfere with the proper operation of your vehicle.

- Before installing any electronic accessory, have the installer contact your dealer for assistance. If possible, have your dealer inspect the final installation.
- Do not install accessories on the side pillars or across the rear windows. In these areas, accessories may interfere with proper operation of the side curtain airbags.

### **Modifying Your Vehicle**

Removing parts from your vehicle, or replacing components with non-Honda components could seriously affect your vehicle's handling, stability, and reliability.

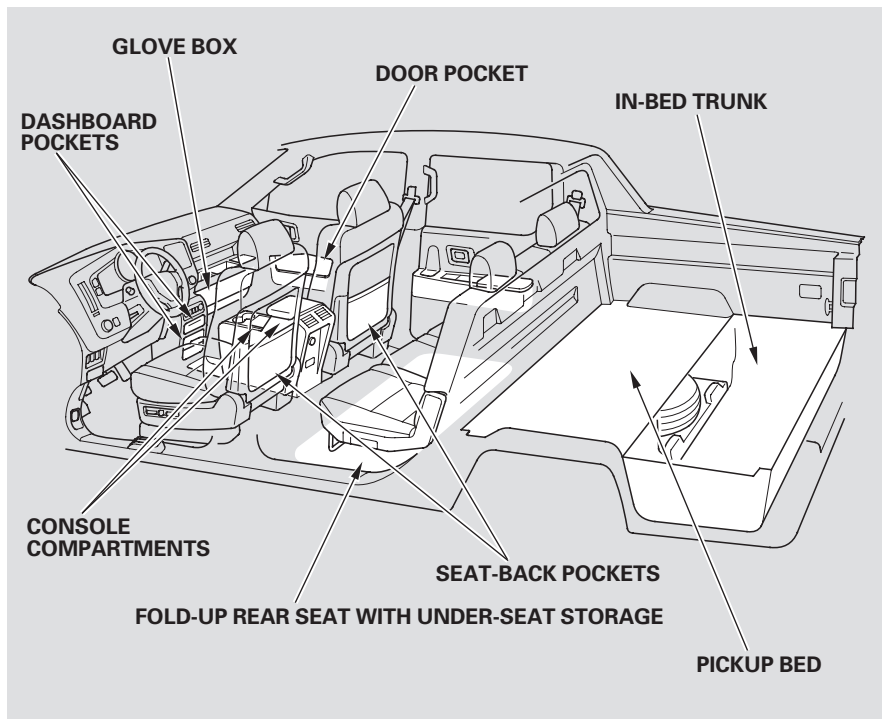
Some examples are:

- Lowering the vehicle with a non-Honda suspension kit that significantly reduces ground clearance can allow the undercarriage to hit speed bumps or other raised objects, which could cause the airbags to deploy.
- Raising your vehicle with a non-Honda suspension kit can affect the handling and stability.
- Non-Honda wheels, because they are a universal design, can cause excessive stress on suspension components and will not be compatible with the tire pressure monitoring system.

- Larger or smaller wheels and tires can interfere with the operation of your vehicle's anti-lock brakes and other systems.
- Modifying your steering wheel or any other part of your vehicle's safety systems could make the systems ineffective.

If you plan to modify your vehicle, consult your dealer.

## Carrying Cargo



The pickup bed on your vehicle allows you to carry heavy and large cargo. You can also store items in the In-Bed Trunk and on a roof-rack (if equipped).

Your vehicle also has these convenient storage areas inside:

- Glove box
- Front door and seat-back pockets
- Fold-up rear seat with under-seat storage
- Console compartment
- Pockets on the dashboard

However, carrying too much cargo, or improperly storing it, can affect your vehicle's handling, stability, stopping distance, and tires, and make it unsafe. Before carrying any type of cargo, be sure to read the following pages.

**Load Limits (Payload)**

The maximum load for your vehicle is:

*On vehicles without moonroof*

**1,530 lbs (690 kg)**

*On vehicles with moonroof*

**1,480 lbs (670 kg)**

These figures include the total weight of all occupants, cargo, and accessories, and the tongue load if you are towing a trailer.

**⚠ WARNING**

Overloading or improper loading can affect handling and stability and cause a crash in which you can be hurt or killed.

Follow all load limits and other loading guidelines in this manual.

To determine the correct cargo and luggage load limit:

1. Locate the statement, “the combined weight of occupants and cargo should never exceed 1,530 (1,480) lbs” on your vehicle’s placard. [The placard is on the driver’s doorjamb.]
2. Determine the combined weight of the driver and passengers that will be riding in your vehicle.
3. Subtract the combined weight of the driver and passengers from 1,530 (1,480) pounds.
4. The resulting figure equals the available amount of cargo and luggage load capacity. For example, if the maximum load is 1,530 lbs and there will be five 150 lb. passengers in your vehicle, the amount of available cargo and luggage load capacity is 780 lbs. [1,530 – 750 (5 × 150) = 780 lbs.]

5. Determine the combined weight of luggage and cargo being loaded in the vehicle. That weight may not safely exceed the available cargo and luggage load capacity in step 4.
6. If your vehicle will be towing a trailer, load from your trailer will be transferred to your vehicle. Consult this manual to determine how this reduces the available cargo and luggage load capacity of your vehicle (see page 212).

In addition, the total weight of the vehicle, all occupants, accessories, cargo, and trailer tongue load must not exceed the gross vehicle weight rating (GVWR) or the gross axle weight rating (GAWR). Both are on a label on the driver’s doorjamb.

# Carrying Cargo

---

## Carrying Items in the Passenger Compartment

- Store or secure all items that could be thrown around and hurt someone during a crash.
- Be sure items placed on the floor behind the front seats cannot roll under the seats and interfere with the driver's ability to operate the pedals, the proper operation of the seats, or proper operation of the sensors under the seats.
- Keep the glove box closed while driving. If it is open, a passenger could injure their knees during a crash or sudden stop.

- If you fold the rear seats up, tie down items that could be thrown about the vehicle during a crash or sudden stop. Also, keep all cargo below the bottom of the windows. If it is higher, it could interfere with the proper operation of the side curtain airbags.
- Distribute cargo evenly on the floor of the cargo area with the rear seats folded up, placing the heaviest items on the bottom and as far forward as possible. Tie down items that could be thrown about the vehicle during a crash or sudden stop.

## Carrying Cargo in the In-Bed Trunk or on a Roof Rack

- Distribute cargo evenly on the floor in the In-Bed Trunk, placing the heaviest items on the bottom and as far forward as possible. Tie down items that could be thrown during a crash or sudden stop.
- Make sure the In-Bed Trunk lid is closed securely before driving.
- Be sure the total weight of the items in the In-Bed Trunk does not exceed 300 lbs (136 kg).
- If you carry any items on a roof rack, be sure the total weight of the rack and the items does not exceed 110 lb (50 kg).

If you use an accessory roof rack, the roof rack weight limit may be lower. Refer to the information that came with your roof rack.

## Carrying Cargo in the Pickup Bed

Your vehicle can carry a large amount of cargo in the pickup bed.

However, the pickup bed is not intended for carrying passengers. People who ride in the pickup bed can be very seriously injured or killed in a crash (see page 8 ).

Make sure your cargo is properly loaded and all items are secured so they will not shift or fall out while driving.

### **WARNING**

Allowing passengers to ride in the pickup bed or on the tailgate can result in death or serious injury in a crash.

Make sure all passengers ride in a seat and wear a seat belt properly.

- When loading and unloading cargo, make sure all passengers or any objects are clear of the tailgate before opening or closing it. The tailgate should be closed securely before driving when it is not used as the extended pickup bed.
- The maximum allowable loading weight on the pickup bed is 1,100 lbs (500 kg). Do not exceed the load limit (see page 187 ).
- Distribute cargo evenly on the pickup bed. Place the heaviest items on the bottom and as far forward as possible of the rear axle. Tie down and secure all items that could be thrown out of the vehicle during a crash or sudden stop.
- If you stack items higher than the bed sides, tailgate, or back window, secure them with a net or cover. This will reduce the risk of items being thrown out of the pickup bed during a crash or sudden stop.
- When the tailgate is dropped open, it can be used as an extended pickup bed. The maximum allowable weight on the tailgate while driving is 300 lbs (136 kg). Exceeding this limit could damage the tailgate.
- Carrying heavy cargo in the pickup bed will raise your vehicle's center of gravity. This can affect handling and performance. Drive more slowly and cautiously, and allow extra time and distance for braking.

*CONTINUED*

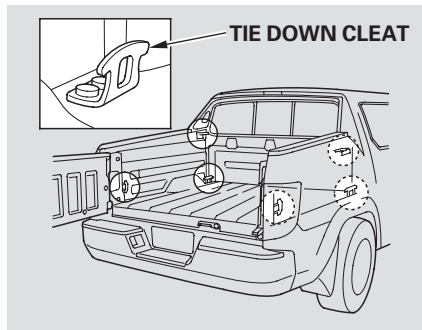
## **⚠ WARNING**

Never let passengers ride on the pickup bed or in the In-Bed Trunk space. This could cause very serious injuries or death in a collision. No one should ride in any position on your vehicle that is not equipped with seats and seat belts.

Exceeding load limits or improperly loading cargo on the vehicle can cause a crash in which you can be seriously injured or killed.

Load the cargo carefully before starting to drive.

## **Tie Down Cleats**



Your vehicle has six tie down cleats on the pickup bed.

They are used to secure cargo on the pickup bed and to install a cargo net for securing items. Do not use any other parts of the pickup bed to secure cargo or nets.

You can also support motorcycles on the pickup bed floor with the cleats. The floor panel of the pickup bed is designed to hold motorcycle tires. Be sure to tighten motorcycles securely, with an approved tie-down or motorcycle strap, according to the motorcycle maker's instructions.

When carrying motorcycles or any other cargo, do not spill any oil or fluid on the pickup bed. A spilled liquid may damage the pickup bed.



## **Optional Cargo Net**

The cargo net can be used to hold lightweight items in the pickup bed. Secure all items properly. The net may not prevent heavy items from being thrown outward in a crash or a sudden stop.

## **Optional Cargo Cover**

The cargo cover can be used to cover the cargo area on the pickup bed.

## **Pickup Bed Repair**

Your vehicle's pickup bed has a rust resistant surface. To repair small chips and scratches in the bed, a repair kit is available from your dealer. More extensive damage should be repaired by your dealer.

To avoid problems with the bed surface and the In-Bed Trunk lid, do not use spray-in bed liner products.

This section gives you tips on starting the engine under various conditions, and how to operate the automatic transmission. It also includes important information on parking your vehicle, the braking system, the VTM-4 system, the VSA system, the tire pressure monitoring system, and facts you need if you are planning to tow a trailer.

Driving Guidelines.....	194
Preparing to Drive .....	195
Starting the Engine.....	196
Automatic Transmission.....	197
Variable Torque Management 4WD (VTM-4) System.....	203
Tire Pressure Monitoring System (TPMS) .....	204
Parking .....	206
Braking System.....	207
Anti-lock Brakes (ABS) .....	208
Vehicle Stability Assist (VSA) System.....	210
Towing Weight Limits .....	212
Towing Weight Guidelines.....	214
Towing a Trailer .....	215
Off-Highway Driving Guidelines.....	227

## Driving Guidelines

---

Your vehicle has higher ground clearance that allows you to travel over bumps, obstacles, and rough terrain. It also provides good visibility so you can anticipate problems earlier.

Your vehicle allows you to carry more cargo than a typical passenger vehicle.

Because your vehicle rides higher off the ground, it has a high center of gravity that can cause it to roll over if you make abrupt turns. Utility vehicles have a significantly higher roll over rate than other types of vehicles.

To prevent rollovers or loss of control:

- Take corners at slower speeds than you would with a passenger vehicle.
- Avoid sharp turns and abrupt maneuvers whenever possible.
- Make sure the cargo is properly loaded and all items are secured so they will not shift while driving.
- Do not modify your vehicle in any way that would raise the center of gravity.
- Do not carry heavy cargo on the roof.

With heavy cargo on the pickup bed, your vehicle has a higher center of gravity. Drive slowly and cautiously, and allow more time and distance for braking. Loading heavy cargo could affect your vehicle's handling and performance.

*See page [227](#) for off-highway driving guidelines.*

You should do the following checks and adjustments before you drive your vehicle.

1. Make sure all windows, mirrors, and outside lights are clean and unobstructed. Remove frost, snow, or ice.
2. Check that the hood is fully closed.
3. Check that the tailgate is fully closed when it is not used as an extended pickup bed.
4. Visually check the tires. If a tire looks low, use a gauge to check its pressure.
5. Check that any items you may be carrying are stored properly or fastened down securely.
6. Check the seat adjustment (see pages [98](#) and [100](#) ).
7. Check the adjustment of the inside and outside mirrors (see page [110](#) ).
8. Check the steering wheel adjustment (see page [79](#) ).
9. Make sure the doors and In-Bed Trunk are securely closed and locked.
10. Fasten your seat belt. Check that your passengers have fastened their seat belts (see page [14](#) ).
11. When you start the engine, check the gauges and indicators in the instrument panel (see page [59](#) ).

# Starting the Engine

---

1. Apply the parking brake.
2. In cold weather, turn off all electrical accessories to reduce the drain on the battery.
3. Make sure the shift lever is in Park. Press on the brake pedal.

4. Without touching the accelerator pedal, turn the ignition key to the START (III) position. Do not hold the key in the START (III) position for more than 15 seconds at a time. If the engine does not start right away, pause for at least 10 seconds before trying again.

## NOTICE

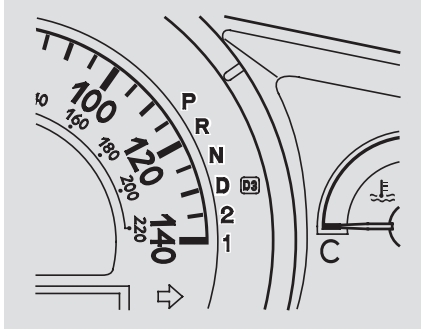
*The immobilizer system protects your vehicle from theft. If an improperly-coded key (or other device) is used, the engine's fuel system is disabled. For more information, see page 81 .*

5. If the engine does not start within 15 seconds, or starts but stalls right away, repeat step 4 with the accelerator pedal pressed halfway down. If the engine starts, release pressure on the accelerator pedal so the engine does not race.
6. If the engine fails to start, press the accelerator pedal all the way down, and hold it there while starting to clear flooding. If the engine still does not start, return to step 5.

## NOTICE

*The engine is harder to start in cold weather. Also, the thinner air found at altitudes above 8,000 feet (2,400 meters) adds to this problem.*

## Shift Lever Position Indicators

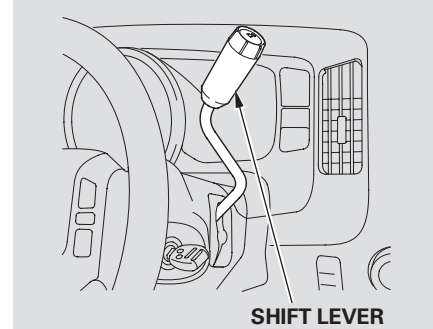


These indicators on the instrument panel show which position the shift lever is in.

The “D” indicator comes on for a few seconds when you turn the ignition switch to the ON (II) position. If it flashes while driving (in any shift position), it indicates a possible problem in the transmission.

If the malfunction indicator lamp comes on along with the “D” indicator, there is a problem with the automatic transmission control system. Avoid rapid acceleration, and have the transmission checked by your dealer as soon as possible.

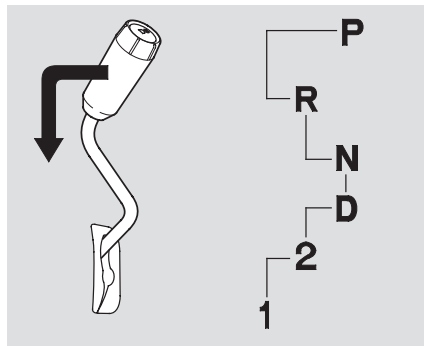
## Shifting



To shift from Park to any position, press firmly on the brake pedal, and pull the shift lever toward you. You cannot shift out of Park when the ignition switch is in the LOCK (0) or ACCESSORY (I) position.

*CONTINUED*

# Automatic Transmission



**Park (P)** – This position mechanically locks the transmission. Use Park whenever you are turning off or starting the engine. To shift out of Park, you must press on the brake pedal and have your foot off the accelerator pedal. Pull the shift lever towards you, then move it out of Park.

If you have done all of the above and still cannot move the lever out of Park, see **Shift Lock Release** on page [202](#).

You must also pull the shift lever towards you to shift into Park. To avoid transmission damage, come to a complete stop before shifting into Park. The shift lever must be in Park for you to remove the key from the ignition switch.

**Reverse (R)** – Press the brake pedal and pull the shift lever towards you to shift from Park to reverse. To shift from reverse to neutral, come to a complete stop, and then shift. Pull the shift lever towards you before shifting into reverse from neutral.

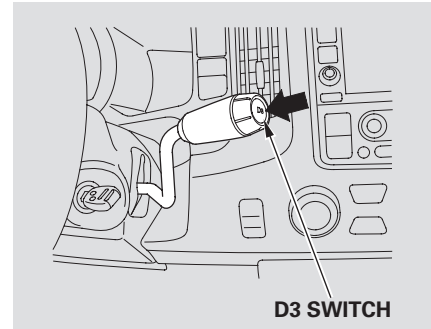
To shift from:	Do this:
P to R	Press the brake pedal, and pull the shift lever towards you.
R to P N to R D to 2 2 to 1	Pull the shift lever towards you.
1 to 2 2 to D D to N N to D R to N	Move the shift lever.

**Neutral (N)** — Use neutral if you need to restart a stalled engine, or if it is necessary to stop briefly with the engine idling. Shift to the Park position if you need to leave your vehicle for any reason. Press on the brake pedal when you are moving the shift lever from neutral to another gear.

After you stop in D, 2, 1, N, or R position with the ignition switch in the ACCESSORY (I) position for an extended period, you may not be able to move the shift lever from neutral to reverse or Park. In this case, press the brake pedal, and turn the ignition switch to the ON (II) position, then shift out of neutral.

**Drive (D)** — Use this position for your normal driving. The transmission automatically selects a suitable gear (1 through 5) for your speed and acceleration. You may notice the transmission shifting up at higher engine speeds when the engine is cold. This helps the engine warm up faster.

## D3



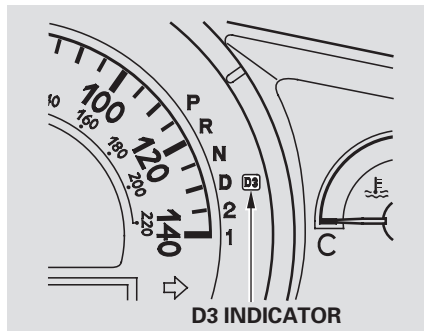
Press the D3 switch on the end of the shift lever to turn this mode on or off; the D3 indicator comes on whenever D3 is selected.

The D3 switch can be operated only when the ignition switch is in the ON (II) position and the shift lever is in the D position.

*CONTINUED*



# Automatic Transmission



When D3 is on, the transmission selects only the first three gears. Use D3 for engine braking when going down a steep hill.

When towing a trailer on level roads under normal driving conditions, do not use D3. This will increase the automatic transmission fluid temperature and may cause overheating.

Shifting out of the D position will cancel D3, and cause the D3 indicator to go out. Selecting the D position again will resume D3, and the indicator will come on.

Turning the ignition switch to the LOCK (0) position turns D3 off. To use D3 when you restart the engine, select the D position, and press the D3 switch again.

The D3 indicator also comes on for a few seconds when you turn the ignition switch to the ON (II) position.

**Second (2)** – To shift to second, pull the shift lever towards you, then shift to the lower gear. This position locks the transmission in second gear. It does not downshift to first gear when you come to a stop.

Use second gear:

- For more power when climbing.
- To increase engine braking when going down steep hills.
- For starting out on a slippery surface or in deep snow.
- To help reduce wheel spin.
- When driving downhill with a trailer.

**First (1)** – To shift from second to first, pull the shift lever towards you, then shift to the lower gear. This position locks the transmission in first gear. By upshifting and downshifting through 1, 2, and D, you can operate the transmission much like a manual transmission without a clutch pedal.

If you shift into first position when the vehicle speed is above 28 mph (45 km/h), the transmission shifts into second gear first to avoid sudden engine braking.

## **Engine Speed Limiter**

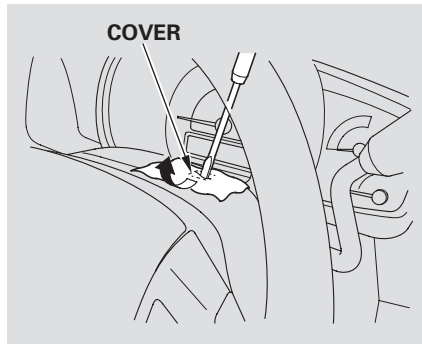
If you exceed the maximum speed for the gear you are in, the engine speed will enter into the tachometer's red zone. If this occurs, you may feel the engine cut in and out. This is caused by a limiter in the engine's computer controls. The engine will run normally when you reduce the rpm below the red zone.

# Automatic Transmission

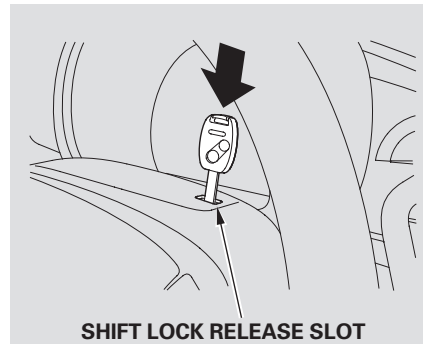
## Shift Lock Release

This allows you to move the shift lever out of Park if the normal method of pushing on the brake pedal and pulling the shift lever does not work.

1. Set the parking brake.
2. Make sure the ignition switch is in the LOCK (0) position.
3. Put a cloth on the notch of the shift lock release slot cover. Using a small flat-tipped screwdriver or a metal fingernail file, carefully pry on the notch of the cover to remove it.

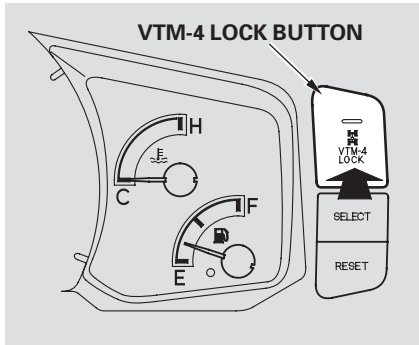


4. Insert a key into the shift lock release slot.
5. Push down on the key while you pull the shift lever towards you and move it out of Park to neutral.



6. Remove the key from the shift lock release slot, then reinstall the cover. Make sure the notch on the cover is on the instrument panel side. Press the brake pedal, and restart the engine.

If you need to use the shift lock release, it means your vehicle is developing a problem. Have it checked by your dealer.



Your vehicle is equipped with a variable torque management 4-wheel-drive system (VTM-4) that distributes engine torque to the appropriate drive axle depending on the available traction conditions. The system is completely automatic, always active, and does not require any driver interaction.

If you become stuck, you can activate the VTM-4 by pressing the VTM-4 LOCK button while in first (1), second (2), or reverse (R) gear below 18 mph (30 km/h). This mode overrides the auto system to send maximum torque to the rear axle. This mode is only intended for intermittent use at low speed to free your vehicle if it becomes stuck or when you encounter a steep grade with one wheel on a slippery surface. Generally, you should first allow the auto mode to operate to adjust for the available traction conditions.

#### To Engage the VTM-4 Lock:

1. The vehicle speed must be below 18 mph (30 km/h).
2. Move the shift lever to first (1), second (2), or reverse (R) gear.

3. Press the VTM-4 LOCK button. The indicator in the button comes on.

To get unstuck, apply light pressure to the accelerator pedal. Do not spin the front tires for more than a few seconds. Because of the amount of torque applied to the rear tires, they should not spin. This is normal. If you are not able to move the vehicle, stop and reverse direction.

#### NOTICE

*Do not use the VTM-4 LOCK button on dry, paved roads. Driving on dry, paved roads with VTM-4 Lock ON may damage the rear differential when making a turn. Strange noise and vibration can also result.*

CONTINUED

# VTM-4 System, Tire Pressure Monitoring System (TPMS)

---

The VTM-4 Lock will temporarily disengage when the vehicle speed exceeds 18 mph (30 km/h). The indicator in the button will remain on.

**To Disengage the VTM-4 Lock**, do any of the following:

- Press the VTM-4 LOCK button.
- Move the shift lever to D.
- Turn the ignition switch to the LOCK (0) position.

## NOTICE

*Do not continuously spin the front tires of your vehicle. Continuously spinning the front tires can cause transmission or rear differential damage.*

## Tire Pressure Monitoring System (TPMS)

Your vehicle is equipped with a tire pressure monitoring system (TPMS) that turns on every time you start the engine and monitors the pressure in your tires while driving.

Each tire has its own pressure sensor. If the air pressure of a tire becomes significantly low, the sensor in that tire immediately sends a signal that causes the low tire pressure indicator and the appropriate tire on the tire pressure monitor to come on.



## Low Tire Pressure Indicator

When this indicator is on, one or more of your tires is significantly under inflated. You should stop and check your tires as soon as possible.

If you think you can safely drive a short distance to a service station, proceed slowly, and inflate the tire to the recommended pressure shown on the driver's doorjamb.

If the tire is flat, or if the tire pressure is too low to continue driving, replace the tire with the compact spare tire.

Driving on a significantly under-inflated tire causes the tire to overheat and can lead to tire failure. Under-inflation also reduces fuel efficiency and tire tread life, and may affect the vehicle's handling and stopping ability.

Although your tire pressure is monitored, each tire should be checked monthly, including the spare.

Check the pressure with the tires cold, after the vehicle has been parked for at least 3 hours.

Set to the recommended inflation pressure as specified on the vehicle placard and in this owner's manual (see page [266](#) ).



## Tire Pressure Monitor

The appropriate tire indicator and low tire pressure indicator comes on if a tire becomes significantly underinflated. See **Low Tire Pressure Indicator** on page [204](#) .



## Tire Pressure Monitoring System (TPMS) Indicator

This indicator comes on and stays on if there is a problem with the tire pressure monitoring system.

If this happens, the system will shut off and no longer monitor tire pressures. Have the system checked by your dealer as soon as possible.

## Changing a Tire with TPMS

If you have a flat tire, the low tire pressure and tire monitor indicators will come on. Replace the indicated flat tire with the compact spare tire (see page [275](#) ).

Each wheel is equipped with a tire pressure sensor mounted inside the tire behind the valve stem. You must use TPMS specific wheels. It is recommended that you always have your tires serviced by your dealer or qualified technician.

After you replace the flat tire with the compact spare tire, the low tire pressure indicator stays on. This is normal; the system is not monitoring the spare tire pressure. Manually check the spare tire pressure to be sure it is correct.

Never use a puncture-repairing agent in a flat tire. If used, you will have to replace the tire pressure sensor. Have the flat tire repaired by your dealer as soon as possible.

*CONTINUED*

# Tire Pressure Monitoring System (TPMS), Parking

---

*As required by the FCC:*

*This device complies with Part 15 of the FCC rules. Operation is subject to the following two conditions: (1) This device may not cause harmful interference, and (2) this device must accept any interference received, including interference that may cause undesired operation.*

*Changes or modifications not expressly approved by the party responsible for compliance could void the user's authority to operate the equipment.*

*This device complies with Industry Canada Standard RSS-210.*

*Operation is subject to the following two conditions: (1) this device may not cause interference, and (2) this device must accept any interference that may cause undesired operation of the device.*

## **Parking**

Always use the parking brake when you park your vehicle. Make sure the parking brake is set firmly, or your vehicle may roll if it is parked on an incline.

Set the parking brake before you put the transmission in Park. This keeps the vehicle from moving and putting pressure on the parking mechanism in the transmission.

## **Parking Tips**

- Make sure the moonroof (if equipped) and the windows are closed.
- Turn off the lights.
- Place any packages, valuables, etc. in the cargo area in your vehicle or the In-Bed Trunk, or take them with you.
- Lock the doors.  
  
*On vehicles with security system*  
Check the indicator on the driver's door to verify that the security system is set.
- Never park over dry leaves, tall grass, or other flammable materials. The hot three way catalytic converter could cause these materials to catch on fire.

- If the vehicle is facing uphill, turn the front wheels away from the curb, and set the parking brake.
- If the vehicle is facing downhill, turn the front wheels toward the curb, and set the parking brake.
- Make sure the parking brake is fully released before driving away. Driving with the parking brake partially set can overheat or damage the rear brakes.

## Braking System

Your vehicle is equipped with disc brakes at all four wheels. A power assist helps reduce the effort needed on the brake pedal. The anti-lock brake system (ABS) helps you retain steering control when braking very hard.

Resting your foot on the pedal keeps the brakes applied lightly, builds up heat, and reduces their effectiveness. It also keeps your brake lights on all the time, confusing drivers behind you.

Constant application of the brakes when going down a long hill builds up heat and reduces their effectiveness. Use the engine to assist the brakes by taking your foot off the accelerator and downshifting to a lower gear.

Check the brakes after driving through deep water. Apply the brakes moderately to see if they feel normal. If not, apply them gently and frequently until they do. Be extra cautious and alert in your driving.

## Braking System Design

The hydraulic system that operates the brakes has two separate circuits. Each circuit works diagonally across the vehicle (the left-front brake is connected with the right-rear brake, etc.). If one circuit should develop a problem, you will still have braking at two wheels.

## Brake Pad Wear Indicators

If the brake pads need replacing, you will hear a distinctive, metallic screeching sound when you apply the brake pedal. If you do not have the brake pads replaced, they will screech all the time. It is normal for the brakes to occasionally squeal or squeak when you apply them.



## Anti-lock Brakes (ABS)

---

The anti-lock brake system (ABS) helps prevent the brakes from locking up, and helps you retain steering control by pumping the brakes rapidly, much faster than a person can do it.

The ABS also balances the front-to-rear braking distribution according to vehicle loading.

*You should never pump the brake pedal.* Let the ABS work for you by always keeping firm, steady pressure on the brake pedal. This is sometimes referred to as “stomp and steer.”

You will feel a pulsation in the brake pedal when the ABS activates, and you may hear some noise. This is normal: it is the ABS rapidly pumping the brakes. On dry pavement, you will need to press on the brake pedal very hard before the ABS activates. However, you may feel the ABS activate immediately if you are trying to stop on snow or ice.



### ABS Indicator

If this indicator comes on, the anti-lock function of the braking system has shut down. The brakes still work like a conventional system, but without anti-lock. You should have your dealer inspect your vehicle as soon as possible.

If the indicator comes on while driving, test the brakes as instructed on page [290](#).

If the ABS indicator and the brake system indicator come on together and the parking break is fully released, the front-to-rear braking distribution system may also shut down.

Test your brakes as instructed on page 290. If the brakes feel normal, drive slowly and have your vehicle repaired by your dealer as soon as possible. Avoid sudden hard braking which could cause the rear wheels to lock up and possibly lead to a loss of control.

The VSA indicator will come on along with the ABS indicator.

**Important Safety Reminders**  
**ABS does not reduce the time or distance it takes to stop the vehicle.** It only helps with the steering control during braking.

**ABS will not prevent a skid that results from changing direction abruptly,** such as trying to take a corner too fast or making a sudden lane change. Always drive at a safe speed for the road and weather conditions.

**ABS cannot prevent a loss of stability.** Always steer moderately when you are braking hard. Severe or sharp steering wheel movement can still cause your vehicle to veer into oncoming traffic or off the road.

**A vehicle with ABS may require a longer distance to stop** on loose or uneven surfaces, such as gravel or snow, than a vehicle without anti-lock. Slow down, and allow a greater distance between vehicles under those conditions.

# Vehicle Stability Assist (VSA) System

---

The vehicle stability assist (VSA) system helps to stabilize the vehicle during cornering if the vehicle turns more or less than desired. It also assists you in maintaining traction while accelerating on loose or slippery road surfaces. It does this by regulating the engine's output and by selectively applying the brakes.

When VSA activates, you may notice that the engine does not respond to the accelerator in the same way it does at other times. There may also be some unusual noise from the modulator. You will also see the VSA activation indicator blink.

The VSA system cannot enhance the vehicle's driving stability in all situations and does not control your vehicle's entire braking system. It is still your responsibility to drive and corner at reasonable speeds and to leave a sufficient margin of safety.



## VSA Activation Indicator

When VSA activates, you will see the VSA activation indicator blink (see page [67](#) ).



## Vehicle Stability Assist (VSA) System Indicator

If this indicator comes on while driving, pull to the side of the road when it is safe, and turn off the engine. Reset the system by restarting the engine. If the VSA system indicator stays on, or comes back on while driving, have the VSA system inspected by your dealer.

If the indicator does not come on when the ignition switch is turned to the ON (II) position, there may be a problem with the VSA system. Have your dealer inspect your vehicle as soon as possible.

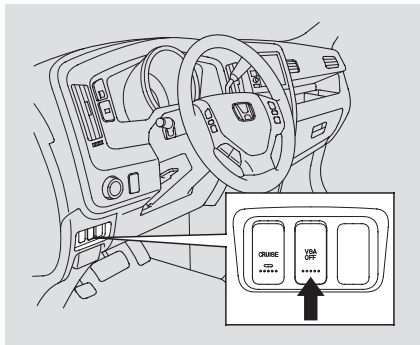
If the low tire pressure indicator comes on (see page [204](#) ), the VSA system automatically turns on even if you turn it off with the VSA OFF button.

Without VSA, your vehicle will have normal braking and cornering ability, but it will not have VSA traction and stability enhancement.

## VSA Off Switch

In certain unusual conditions when your vehicle gets stuck in shallow mud or fresh snow, it may be easier to free it with the VSA temporarily switched off. When the VSA system is off, the traction control system is also off. You should only attempt to free your vehicle with the VSA off if you are not able to free it when the VSA is on.

Immediately after freeing your vehicle, be sure to switch the VSA on again. We do not recommend driving your vehicle with the VSA and traction control systems switched off.



This switch is above the parking brake release handle. Press it to turn the VSA system on and off.

When VSA is off, the VSA activation indicator comes on as a reminder.

VSA is turned on every time you start the engine, even if you turned it off the last time you drove the vehicle.

## VSA and Tire Sizes

Driving with varying tire or wheel sizes may cause the VSA to malfunction. When replacing tires, make sure they are of the same size and type as your original tires (see page 269).

If you install winter tires, make sure they are the same size as those that were originally supplied with your vehicle. Exercise the same caution during winter driving as you would if your vehicle was not equipped with VSA.

# Towing Weight Limits

Your vehicle has been designed to tow a trailer, as well as carrying passengers and their cargo. To safely tow a trailer, you should carefully observe the load limits (see page 187), use the proper equipment, and follow the guidelines in this section.

Be sure to read the **Off-Highway Driving Guidelines** section on page 227 if you plan to tow off paved surfaces.

## **⚠ WARNING**

Exceeding any load limit or improperly loading your vehicle and trailer can cause a crash in which you can be seriously hurt or killed.

Check the loading of your vehicle and trailer carefully before starting to drive.

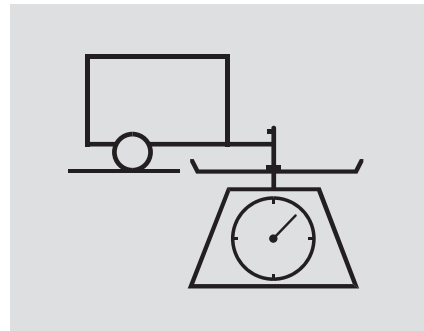
## Load Limits



### *Total Trailer Weight*

The maximum weight of the trailer and everything in or on it depends on the number of occupants in your vehicle and the type of trailer being towed (see page 214).

Towing a load that is too heavy can seriously affect your vehicle's handling and performance.



### *Tongue Load*

The weight that the tongue of a fully-loaded trailer puts on the hitch should follow the recommended load guidelines (see page 214). Too much tongue load reduces front-tire traction and steering control. Too little tongue load can make the trailer unstable and cause it to sway.

## **Gross Vehicle Weight Rating**

**(GVWR)** – The maximum allowable weight of the vehicle, all occupants, all accessories, all cargo, and the tongue load is 6,050 lbs (2,745 kg).

## **Gross Axle Weight Rating**

**(GAWR)** – The maximum allowable weight on the vehicle axles is 3,105 lbs (1,410 kg) on the front axle, and 3,245 lbs (1,475 kg) on the rear axle.

## **Gross Combined Weight Rating**

**(GCWR)** – The maximum allowable weight of the fully loaded vehicle and trailer is 10,088 lbs (4,575 kg) with the proper hitch.

The GCWR must be reduced 2 percent for every 1,000 feet (305 meters) of elevation.

## **Estimating Loads**

The best way to confirm that all loads are within limits is to check them at a public scale (see page [212](#)).

To help ensure a safe drive to a scale, or if you cannot get to a public scale, we recommend that you estimate your total trailer weight and tongue load as described.

### ***To Estimate the Total Trailer Weight***

Add the weight of your trailer (as quoted by the manufacturer) with everything in or on the trailer. Then check the tables on page [214](#) to make sure you do not exceed the limit for your conditions.

# Towing Weight Guidelines

---

## Total Trailer Weight and Tongue Load Guidelines:

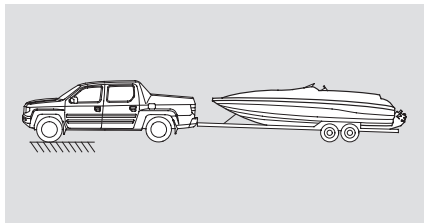
Number of Occupants*	Max. Trailer Weight	Max. Tongue Load**
2	5000 lbs (2268 kg)	600 lbs (272 kg)
3	4750 lbs (2155 kg)	600 lbs (272 kg)
4	4750 lbs (2155 kg)	570 lbs (258 kg)
5	4500 lbs (2041 kg)	516 lbs (234 kg)

\* The corresponding weight limits assume occupants fill seats from the front of the vehicle to the back, each occupant weighs 150 lbs (70 kg), and each has 15 lbs (7 kg) of cargo in the cab, pickup bed, or In-Bed Trunk. Any additional weight, including cargo or accessories, reduces the maximum trailer weight and maximum tongue load. Never exceed the gross axle weight ratings (see page [213](#)).

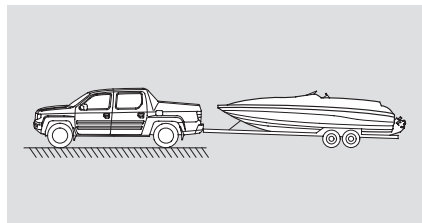
\*\* Recommended tongue load should be 5 – 15% of the total trailer weight for boat trailers, and 10 – 15% of the total trailer weight for all other trailers.

## Checking Loads

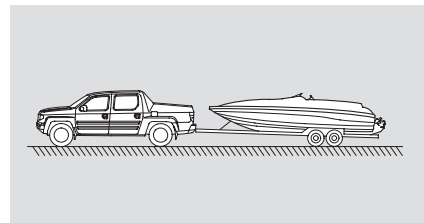
To accurately check your loads at the public scale, the vehicle and trailer should be fully loaded, and all occupants should stay in the vehicle while the attendant watches the scale.



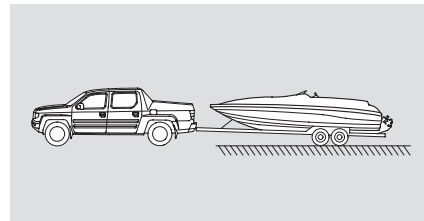
1. Check the front gross axle weight.  
Limit: 3,105 lbs (1,410 kg)



2. Check the gross vehicle weight.  
Limit: 6,050 lbs (2,745 kg)
3. Check the rear gross axle weight.  
Limit: 3,252 lbs (1,475 kg)
4. If you cannot weigh the rear axle directly, you can calculate the rear gross axle weight by subtracting the weight in step 1 from the weight in step 2.  
Limit: 2,945 lbs (1,335 kg)



5. Check the gross combined weight.  
Limit: 10,088 lbs (4,575 kg)  
**Remember, maximum gross combined weight should be decreased 2 % for every 1,000 feet (305 meters) of elevation.**

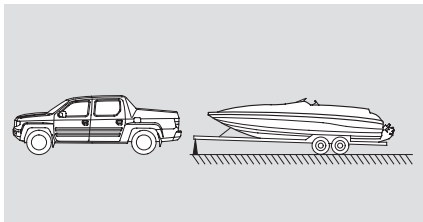


6. Check the weight of the hitched trailer. Write this number down.



# Towing a Trailer

---



7. Check the weight of the unhitched trailer. Limit: See page [212](#) .
8. Calculate the tongue load. Subtract the weight in step 6 from the weight in step 7. Limit: See page [214](#) . Recommended: See page [214](#) .

## Towing Equipment and Accessories

Towing generally requires a variety of supplemental equipment. To ensure the best quality, we recommend that you purchase Honda equipment whenever possible.

Your dealer offers an optional trailer package for models other than RTX. The package includes a hitch, a ball mount, and a wiring harness.

Discuss any additional needs with your trailer sales or rental agency, and make sure all equipment is properly installed, maintained, and also meets state, federal, province, and local regulations.

## ***Hitch***

*All models except RTX*

We strongly recommend that you have your dealer install a class 3 hitch. Using non-Honda equipment may result in serious damage to your vehicle.

Read the trailer manufacturer's instructions, and select the appropriate draw bar for the height of the trailer you will be towing.

## ***Weight Distributing Hitch***

A weight distributing hitch is not recommended for use with your vehicle, as an improperly adjusted weight distributing hitch may reduce handling, stability, and braking performance.

## **Trailer Brakes**

Honda requires that any trailer with a total trailer weight of 1,000 lbs (455 kg) or more have its own brakes.

There are two common types of trailer brakes: surge and electric. Surge brakes are common for boat trailers, since the brakes will get wet.

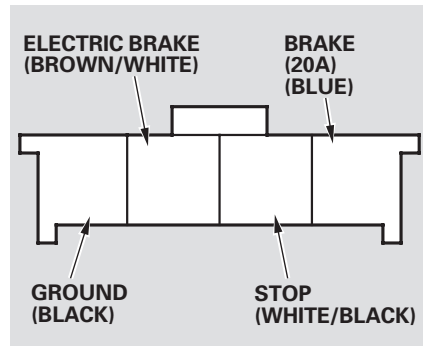
If you choose electric brakes, be sure they are electronically actuated. Do not attempt to tap into your vehicle's hydraulic system. No matter how successful it may seem, any attempt to attach trailer brakes to your vehicle's hydraulic system will lower braking effectiveness and create a potential hazard.

See your trailer manufacturer for more information on installing electric brakes.

A factory installed, 4-pin gray connector is located under the instrument panel near the top of the parking brake pedal. This connector has all of the circuits required to install most electric trailer brake controllers. A jumper harness to adapt your electric trailer brake controller to the vehicle is included with the optional Genuine Honda trailer hitch kit. To obtain a trailer hitch kit, see your dealer.

Have a qualified mechanic install your trailer brake controller following the trailer brake controller manufacturer's instructions. Failure to properly install the trailer brake controller may increase the distance it takes for you to stop your vehicle when towing a trailer.

Use this illustration to identify each terminal in the trailer brake controller connector.



CONTINUED

# Towing a Trailer

---

## ***Safety Chains***

Always use safety chains when you tow a trailer. Make sure the chains are secured to the trailer and hitch, and that they cross under the tongue and can catch the trailer if it becomes unhitched. Leave enough slack to allow the trailer to turn corners easily, but do not let the chains drag on the ground.

## ***Sway Control***

This device is recommended if your trailer tends to sway. Your trailer maker can tell you what kind of sway control you need and how to install it.

## ***Trailer Mirrors***

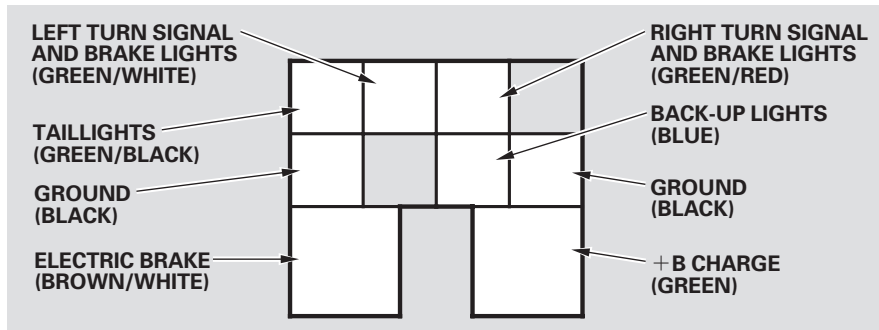
Many states and provinces require special exterior mirrors when towing a trailer. Even if they don't, you should install special mirrors if you cannot clearly see behind you, or if the trailer creates a blind spot.

## ***Spare Tires***

When towing a trailer, we recommend that you carry a full-size spare wheel and tire for your vehicle and trailer. See page [269](#) for proper tire size, page [280](#) for how to store a full size wheel and tire, and page [275](#) for information on changing a flat tire.

Remember to unhitch the trailer before changing a flat. Ask your trailer sales or rental agency where and how to store the trailer's spare tire.

## Trailer Lights



Trailer lights and equipment must comply with federal, state, province, and local regulations. Check trailer light requirements for the areas where you plan to tow, and use only equipment designed for your vehicle.

Your vehicle is equipped with a connector to install an optional trailer lighting connector that mates with your vehicle.

Refer to the above illustration for wiring information.

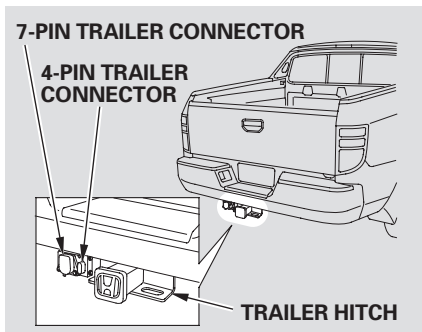
We recommend that you have your dealer install a Honda wiring harness and converter. This harness has been designed for your vehicle.

Since lighting and wiring vary with trailer type and brand, you should also have a qualified mechanic install a suitable connector between the vehicle and the trailer.

# Towing a Trailer

## Towing Equipment

*On U.S. RTX model only*

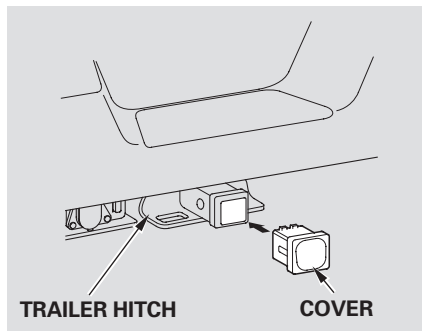


Your vehicle has a class 3 trailer hitch as standard equipment.

The cover, the ball mount, the hitch pin, the hitch pin clip, and the jumper harness are stored in the In-Bed Trunk.

Also see page [218](#) for trailer-related information.

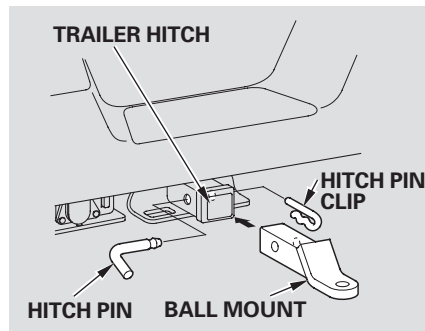
## Installing the Cover



We recommend that you always use the cover when you are not using the ball mount to keep dirt, mud, and snow from clogging the hitch.

To install the cover, slide it into the opening at the end of the trailer hitch. To remove the cover, pull it out and store it in a safe place.

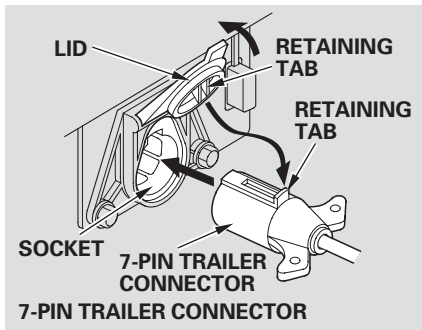
## Installing the Ball Mount



Install the ball mount before you tow a trailer. Check for and remove foreign material inside of the trailer hitch before installing the ball mount.

To install the ball mount, slide it into the trailer hitch. Line up the holes in the trailer hitch with the holes in the ball mount, then insert the hitch pin into the hole. Secure the hitch pin with the hitch pin clip.

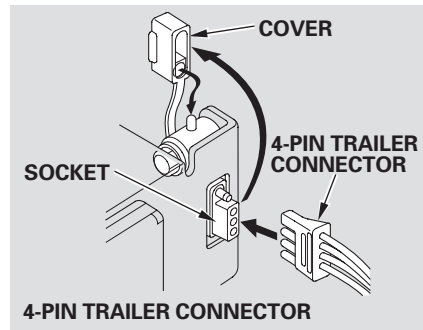
## Connecting the Trailer Connectors



The 7-pin trailer connector is needed for the trailer lights. To connect the connector, do this:

1. Make sure the connector and the socket are free of dirt, moisture, or other foreign material.
2. Open the socket lid by pulling it up.

3. Insert the connector securely into the socket.
4. Hook the retaining tab on the inner side of the lid against the retaining tab of the connector to prevent disconnection during operation.



The 4-pin trailer connector is also needed for the trailer lights. To connect the connector, do this:

1. Remove the socket cover, and attach it securely over the socket.
2. Insert the connector into the socket securely to prevent disconnection during operation.

*CONTINUED*

## Towing a Trailer

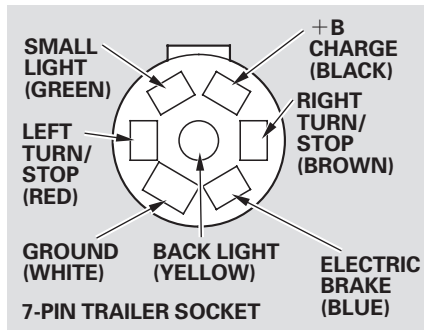
---

To disconnect the connectors, reverse the connection steps, then make sure the socket lid and socket cover are securely in place. Avoid using excessive force when disconnecting the connectors.

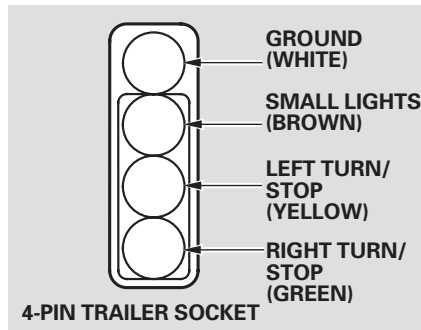
### *Important Precautions*

- Before you submerge the trailer hitch in water (such as at a boat ramp), make sure the connectors are removed and the socket lid and socket cover are securely in place. Failure to do this will result in electrical system problems.
  - After the connectors are submerged in water, open the socket lid and the socket cover to drain them.
- Electric current flows through the electrical supply circuit only when the ignition switch is in the ON (II) position. Using the electrical supply circuit when the engine is at a stop or idling can discharge the battery.

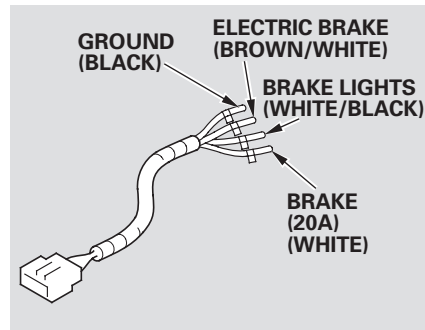
## Trailer Connector Sockets



Refer to the above illustrations for wiring information.



## Trailer Jumper Harness



The trailer jumper harness is used to install the controller for the electric trailer brakes. For more information, see *Trailer Brakes* on page 217.



# Towing a Trailer

---

## Pre-Tow Checklist

When preparing to tow, and before driving away, be sure to check the following:

- The vehicle has been properly serviced, and the tires, brakes, suspension, cooling system, and lights are in good operating condition.
- The trailer has been properly serviced and is in good condition.
- All weights and loads are within limits.
- The hitch, safety chains, and any other attachments are secure.
- All items on and in the trailer are properly secured and cannot shift while you drive.

- Your vehicle tires and spare are in good condition and properly inflated.
- The trailer tires and spare are in good condition and inflated as recommended by the trailer maker.
- Towing performance can be affected by high altitude, high temperature, or when climbing steep grades. Therefore, premium fuel (premium unleaded gasoline with pump octane number of 91 or higher) is recommended when towing more than 3,500 lbs (1,590 kg).

## Driving Safely With a Trailer

The added weight, length, and height of a trailer will affect your vehicle's handling and performance, so driving with a trailer requires some special driving skills and techniques.

For your safety and the safety of others, take time to practice driving maneuvers before heading for the open road, and follow the guidelines below.

### *Break-In Period*

Avoid towing a trailer during your vehicle's first 600 miles (1,000 km).

## *Towing Speeds and Gears*

Drive slower than normal in all driving situations, and obey posted speed limits for vehicles with trailers. When towing a fixed-sided trailer (e.g., camper), do not exceed 55 mph (88 km/h). At higher speeds, the trailer may sway or affect vehicle handling.

When towing a trailer on level roads under normal driving conditions, do not use D3. This will increase the automatic transmission fluid temperature and may cause overheating.

With heavy cargo on the pickup bed, your vehicle has a higher center of gravity. Drive more slowly and cautiously. Loading heavy cargo could affect your vehicle's handling and performance.

## *Making Turns and Braking*

Make turns more slowly and wider than normal. The trailer tracks a smaller arc than your vehicle, and it can hit or run over something the vehicle misses.

Allow more time and distance for braking. Do not brake or turn suddenly as this could cause the trailer to jackknife or turn over.

## *Driving on Hills*

When climbing hills, closely watch your temperature gauge. If it nears the red (Hot) mark, turn the air conditioning off, reduce speed and, if necessary, pull to the side of the road to let the engine cool.

If you must stop when facing uphill, use the foot brake or parking brake. Do not try to hold the vehicle in place by pressing on the accelerator, as this can cause the automatic transmission to overheat.

When driving down hills, reduce your speed, and use D3. Do not “ride” the brakes. **Remember, it takes longer to slow down and stop when towing a trailer.**

## *Handling Crosswinds and Buffeting*

Crosswinds and air turbulence caused by passing trucks can disrupt your steering and cause trailer to sway. When being passed by a large vehicle, keep a constant speed, and steer straight ahead. Do not try to make quick steering or braking corrections.

CONTINUED

# Towing a Trailer

---

## ***Backing Up***

Always drive slowly and have someone guide you when backing up. Grip the *bottom* of the steering wheel, then turn the wheel to the left to get the trailer to move to the left. Turn the wheel to the right to move the trailer to the right.

## ***Parking***

When parking on level ground, follow all normal precautions (see page [206](#)) including putting the transmission in Park, and firmly setting the parking brake.

Do not park on an incline unless it is unavoidable. If you must park on an incline, follow the steps below to help prevent the vehicle and trailer from rolling and possibly injuring someone.

1. Turn the front wheels toward the curb on a downhill, and away from the curb on an uphill.
2. With the foot brake fully pressed, have someone place wheel chocks on the downhill side of the vehicle and trailer wheels.
3. Firmly apply the parking brake before you put the transmission in Park. This keeps the vehicle from putting pressure on the parking mechanism in the transmission. It also makes it easier to move the shift lever out of Park when you want to drive away.

## ***Retrieving a Boat***

If the vehicle's tires slip when retrieving a boat from the water, shift to first gear, and turn on VTM-4 lock (see page [203](#)). Disengage VTM-4 lock as soon as the boat is out of the water to prevent damage to the VTM-4 system.

## General Information

Your vehicle has been designed primarily for use on pavement. But its higher ground clearance and four-wheel drive VTM-4 system allow you to occasionally travel on unpaved roads and surfaces. Your vehicle is not designed for trailblazing, mountain climbing, or other challenging off-road activities.

If you decide to drive on unpaved roads, you will find that it requires somewhat different driving skills. Your vehicle will also handle somewhat differently than it does on pavement. Be sure to pay extra attention to the precautions and tips in this section, and get acquainted with your vehicle before leaving the pavement.

## WARNING

Improperly operating this vehicle on or off-pavement can cause an accident or rollover in which you and your passengers could be seriously injured or killed.

- Follow all instructions and guidelines in this owner's manual.
- Keep your speed low, and don't drive faster than conditions permit.

# Off-Highway Driving Guidelines

---

## Important Safety Precautions

To avoid loss of control or rollover, be sure to follow all precautions and recommendations.

- Be sure to store cargo properly and do not exceed your cargo load limits (see page [187](#) and [212](#)).
- Be aware that a heavy load can reduce ground clearance and your ability to clear obstacles.
- Whenever you drive, make sure you and your passengers always wear seat belts.
- Keep your speed low, and never go faster than the conditions allow.
- It's up to you to continually assess the situation and drive within the limits.

## Remember

The route presents limits (too steep or bumpy roads). You have limits (driving skill and comfort). And your vehicle has limits (traction, stability, and power).

Driving off-highway can be hazardous if you fail to recognize limits and take the proper precautions.

## Check Out Your Vehicle

Before you leave the pavement, be sure to do all scheduled maintenance and service, and inspect your vehicle for any problems. Pay special attention to the condition of the tires, and check the tire pressures.

After you return to the pavement, carefully inspect your vehicle to make sure there is no damage that could make driving it unsafe. Recheck the condition of the tires and the tire pressures.

## Accelerating and Braking

For better traction on all surfaces, accelerate slowly and gradually build up speed. If you try to start too fast on wet soil, mud, snow, or ice, you might not have enough traction to get underway, and you may dig yourself a hole. Starting with the shift lever in second (2) gear will help you have a smoother start on snow or ice.

Keep in mind that you will usually need more time and distance to brake to a stop on unpaved surfaces. Avoid hard braking. Do not “pump” the brakes; let the anti-lock braking system pump them for you.

## Avoiding Obstacles

Your vehicle is not equipped with undercarriage guards to protect key components, so take care to avoid rocks, tree stumps, and other obstacles in your path.

Because your vehicle has a higher center of gravity than a conventional passenger vehicle, driving a wheel over a tall object, or allowing a wheel to drop into a deep hole, can cause your vehicle to tip or roll over.

## Driving on Slopes

If you can't clearly see all conditions or obstacles on a slope, walk the slope before you drive on it. If you have any doubt whether or not you can safely drive on the slope, don't do it. Find another route.

If you are driving up a hill and find that you cannot continue, *do not try to turn around*. Your vehicle could roll over. Slowly back down the hill, following the same route you took up the hill.

# Off-Highway Driving Guidelines

---

## Crossing a Stream

Before driving through water, stop, get out if necessary, and make sure that:

- The water is not deep enough to cover your wheel hubs, axles, or exhaust pipe. You could stall and not be able to restart your engine. The water can also damage important vehicle components.
- The banks are sloped so you can drive out.
- The water is not flowing too fast. Deep rushing water can sweep you downstream. Even very shallow rushing water can wash the ground from under your tires and cause you to lose traction and possibly roll over.

- The banks and surface under the water provide good traction. The water may hide hazards such as rocks, holes, or mud.

If you decide it is safe to drive through water, choose a suitable speed, and proceed without shifting, changing speeds, stopping, or shutting off the engine.

Do not try to cross water at high speeds, as this may cause severe damage to the cooling system or result in loss of control.

After driving through water, test your brakes. If they got wet, gently “pump” them while driving slowly until they operate normally.

If the water is deeper than the wheel hubs, some additional service may be required. This service is not covered by your warranties.

## If You Get Stuck

If you get stuck, and cannot get unstuck with the VTM-4 system, engage the VTM-4 Lock (see page [203](#)), and carefully try to go in the direction (forward or reverse) that you think will get you unstuck. Do not spin the tires at high speeds. It will not help you get out and may cause damage to the transmission or VTM-4 system.

If you are still unable to free yourself, your vehicle is equipped with front and rear tow hooks designed for this purpose (see page [297](#)).

Use a nylon strap to attach your vehicle to the recovery vehicle, and carefully take out the slack in the strap. Once the strap is tight, the recovery vehicle should apply force. Remember that the recovery vehicle needs good traction to avoid becoming stuck, too.

You should never use a jack to try to get unstuck. Your vehicle could easily slip off the jack and hurt you or someone else.

### **Towing a Trailer Off-Road**

You may safely tow a trailer off-road if you follow these guidelines:

- Do not exceed the trailer weight or tongue limits (see page [214](#) ).
- Stay on smooth, level dirt roads, and avoid driving in hilly terrain.
- Allow extra room for starting, stopping, and turning.
- Slow down if you encounter bumps or other obstacles.



This section explains why it is important to keep your vehicle well maintained and how to follow basic maintenance safety precautions.

This section also includes instructions on how to read the maintenance minder messages on the information display, a maintenance record, and instructions for simple maintenance tasks you may want to take care of yourself.

If you have the skills and tools to perform more complex maintenance tasks on your vehicle, you may want to purchase the service manual. See page 315 for information on how to obtain a copy, or see your dealer.

Maintenance Safety .....	234
Maintenance Minder .....	235
Maintenance Record .....	243
Fluid Locations.....	245
Adding Engine Oil .....	246
Changing the Engine Oil and Filter .....	247
Engine Coolant.....	249
Windshield Washers .....	250
Automatic Transmission Fluid.....	251
Rear Differential Fluid .....	252
Transfer Assembly Fluid .....	253
Brake Fluid .....	253
Power Steering Fluid.....	254
Timing Belt.....	254
Lights .....	255
Cleaning the Seat Belts.....	261
Floor Mats .....	261
Dust and Pollen Filter .....	262
Wiper Blades .....	262
Wheels .....	264
Tires .....	265
Checking the Battery .....	270
Vehicle Storage.....	272

# Maintenance Safety

---

All service items not detailed in this section should be performed by a certified technician or other qualified mechanic.

## Important Safety Precautions

To eliminate potential hazards, read the instructions before you begin, and make sure you have the tools and skills required.

- Make sure your vehicle is parked on level ground, the parking brake is set, and the engine is off.
- To clean parts, use a commercially available degreaser or parts cleaner, not gasoline.
- To reduce the possibility of fire or explosion, keep cigarettes, sparks, and flames away from the battery and all fuel-related parts.
- Wear eye protection and protective clothing when working with the battery or compressed air.

## WARNING

Improperly maintaining this vehicle, or failing to correct a problem before driving can cause a crash in which you can be seriously hurt or killed.

Always follow the inspection and maintenance recommendations and schedules in this owner's manual.

## Potential Vehicle Hazards

- **Carbon Monoxide poison from engine exhaust.** Be sure there is adequate ventilation whenever you operate the engine.
- **Burns from hot parts.** Let the engine and exhaust system cool down before touching any parts.

- **Injury from moving parts.** Do not run the engine unless instructed to do so.

## WARNING

Failure to properly follow maintenance instructions and precautions can cause you to be seriously hurt or killed.

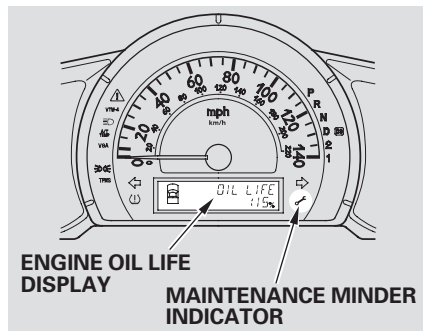
Always follow the procedures and precautions in this owner's manual.

Some of the most important safety precautions are given here. However, we cannot warn you of every conceivable hazard that can arise in performing maintenance. Only you can decide whether or not you should perform a given task.

Your vehicle displays engine oil life and maintenance service items on the information display to show you when you should have your dealer do engine oil replacement and indicated maintenance service.

Based on the engine operating conditions and accumulated engine revolutions, the onboard computer in your vehicle calculates the remaining engine oil life and displays it as a percentage.

## Engine Oil Life Display



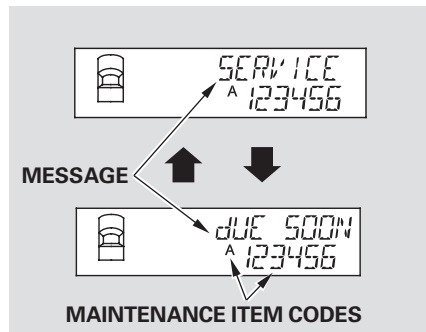
To see the current engine oil life, turn the ignition switch to the ON (II) position, and press the SELECT button repeatedly until the engine oil life display appears (see page 70 ).

The remaining engine oil life is displayed on the engine oil life display according to the table shown below.

Calculated Engine Oil Life (%)	Displayed Engine Oil Life (%)
100 %–91 %	100 %
90 %–81 %	90 %
80 %–71 %	80 %
70 %–61 %	70 %
60 %–51 %	60 %
50 %–41 %	50 %
40 %–31 %	40 %
30 %–21 %	30 %
20 %–16 %	20 %
15 %–11 %	15 %
10 %–6 %	10 %
5 %–1 %	5 %
0 %	0 %

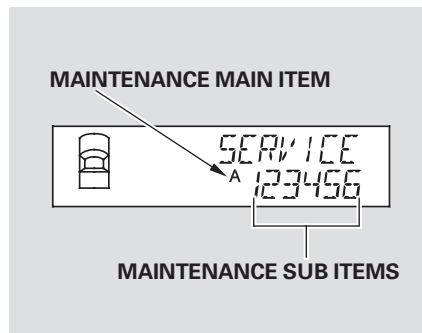
CONTINUED

# Maintenance Minder

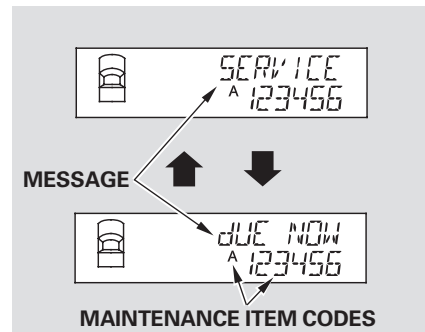


If the engine oil life is 15 percent or less, you will see “SERVICE dUE SOON” message in the information display every time you turn the ignition switch to the ON (II) position. The maintenance minder indicator will also come on, and the maintenance item code(s) for other scheduled maintenance items needing service will be displayed below the message.

The message changes between SERVICE and dUE SOON repeatedly.

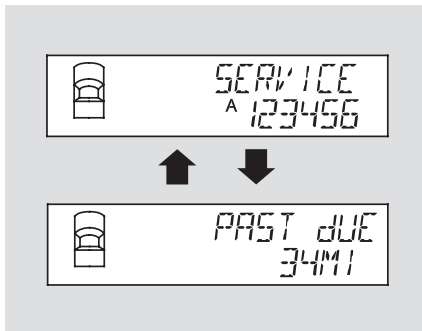


The maintenance item code(s) indicate the main and sub items required at the time of the oil change (see page 242 ).



When the remaining engine oil life is less than 5 percent, you will see a “SERVICE dUE NOW” message along with the same maintenance item code(s), every time you turn the ignition switch to the ON (II) position.

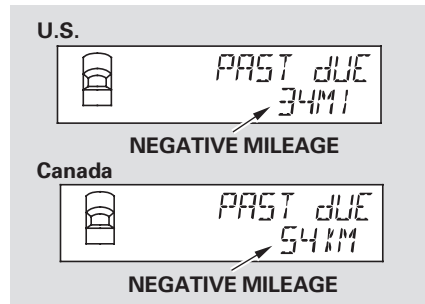
The message changes between SERVICE and dUE NOW repeatedly.



When the remaining engine oil life is 0 percent, you will see “SERVICE PAST dUE” message every time you turn the ignition switch to the ON (II) position.

The message changes between SERVICE and PAST dUE repeatedly.

When you see this message, have the indicated maintenance performed by your dealer as soon as possible.



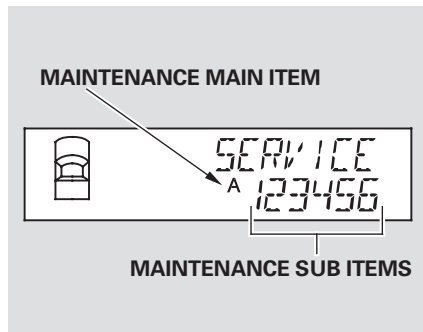
If you still do not perform the indicated maintenance, you will see a negative mileage, for example “34 MI (54 KM)” with the message “PAST dUE.” This negative mileage means that you should have performed the indicated maintenance 34 miles (54 kilometers) ago. Immediately have the indicated maintenance performed, and make sure to reset the display as described on page [238](#).

*CONTINUED*

# Maintenance Minder

You can change the display to the engine oil life display, or the odometer and trip meter by pushing the SELECT button on the instrument panel.

## Maintenance Main Items and Sub Items



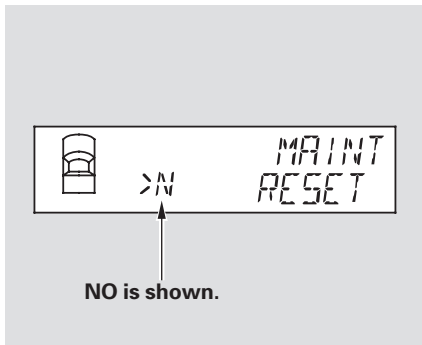
All maintenance items displayed in the trip meter are in code. For an explanation of these maintenance codes, see page [242](#).

## Resetting the Engine Oil Life Display

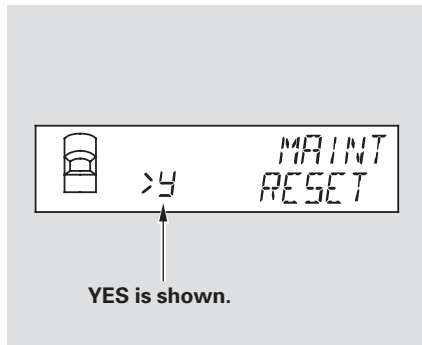
Your dealer will reset the display after completing the required maintenance service. You will see "OIL LIFE 100 %" on the information display the next time you turn the ignition switch to the ON (II) position.

If maintenance service is done by someone other than your dealer, reset the maintenance minder as follows:

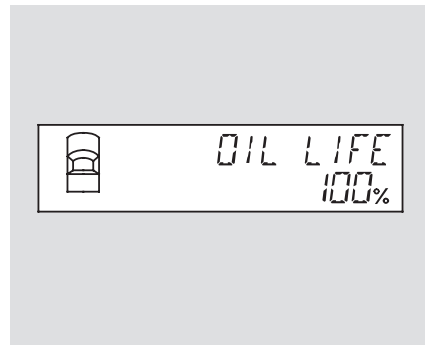
1. Turn the ignition switch to the ON (II) position.
2. Press the SELECT button repeatedly until the engine oil life display or the service message is displayed.



3. Press the RESET button for about 10 seconds. You will see a "MAINT RESET" message.



4. Select the appropriate answer, "MAINT RESET >N" (NO) or "MAINT RESET >Y" (YES) by pressing the SELECT button. ">N" or ">Y" is displayed on the outside temperature display.



5. Select the "MAINT RESET >Y" (YES), and press and hold the RESET button again to reset the engine oil life to "100."

# Maintenance Minder

---

## Important Maintenance Precautions

If you have the required service done but do not reset the display, or reset the display without doing the service, the system will not show the proper maintenance intervals. This can lead to serious mechanical problems because you will no longer have an accurate record of when maintenance is needed.

Your authorized Honda dealer knows your vehicle best and can provide competent, efficient service.

However, service at a dealer is not mandatory to keep your warranties in effect. Maintenance may be done by any qualified service facility or person who is skilled in this type of automotive service. Make sure to have the service facility or person reset the display as previously described. Keep all receipts as proof of completion, and have the person who does the work fill out the maintenance record. Check your warranty booklet for more information.

We recommend the use of Honda parts and fluids whenever you have maintenance done. These are manufactured to the same high-quality standards as the original components, so you can be confident of their performance and durability.

U.S. Vehicles:

**Maintenance, replacement, or repair of emissions control devices and systems may be done by any automotive repair establishment or individual using parts that are “certified” to EPA standards.**

According to state and federal regulations, failure to perform maintenance on the items marked with # will not void your emissions warranties. However, all maintenance services should be performed in accordance with the intervals indicated by the information display.



## Owner's Maintenance Checks

You should check the following items at the specified intervals. If you are unsure of how to perform any check, turn to the appropriate page listed.

- Engine oil level — Check every time you fill the fuel tank. See page [182](#) .
- Engine coolant level — Check the radiator reserve tank every time you fill the fuel tank. See page [182](#) .
- Automatic transmission — Check the fluid level monthly. See page [251](#) .
- Brakes — Check the fluid level monthly. See page [253](#) .
- Tires — Check the tire pressure monthly. Examine the tread for wear and foreign objects. See page [265](#) .
- Lights — Check the operation of the headlights, parking lights, taillights, high-mount brake light, and license plate lights monthly. See page [255](#) .

*CONTINUED*

# Maintenance Minder

Symbol	Maintenance Main Items
A	<ul style="list-style-type: none"> <li>● Replace engine oil*<sup>1</sup></li> </ul>
B	<ul style="list-style-type: none"> <li>● Replace engine oil*<sup>1</sup> and oil filter</li> <li>● Inspect front and rear brakes</li> <li>● Check parking brake adjustment</li> <li>● Inspect these items:                             <ul style="list-style-type: none"> <li>● Tie rod ends, steering gear box, and boots</li> <li>● Suspension components</li> <li>● Driveshaft boots</li> <li>● Brake hoses and lines (including ABS)</li> <li>● All fluid levels and condition of fluids</li> <li>● Exhaust system<sup>#</sup></li> <li>● Fuel lines and connections<sup>#</sup></li> </ul> </li> </ul>

\* 1 : If the message ‘ SERVICE DUENOW’’ does not appear more than 12 months after the display is reset, change the engine oil every year.

# : See information on maintenance and emissions warranty on page 240.

NOTE: ● Independent of the maintenance messages in the information display, replace the brake fluid every 3 years.  
 ● Inspect idle speed every 160,000 miles (256,000 km).  
 ● Adjust the valves during services A, B, 1, 2, or 3 only if they are noisy.

Symbol	Maintenance Sub Items
1	<ul style="list-style-type: none"> <li>● Rotate tires</li> </ul>
2	<ul style="list-style-type: none"> <li>● Replace air cleaner element If you drive in dusty conditions, replace every 15,000 miles (24,000 km).</li> </ul>

Symbol	Maintenance Sub Items
2	<ul style="list-style-type: none"> <li>● Replace dust and pollen filter If you drive primarily in urban areas that have high concentrations of soot in the air from industry and from diesel-powered vehicles, replace every 15,000 miles (24,000 km).</li> <li>● Inspect drive belt</li> </ul>
3	<ul style="list-style-type: none"> <li>● Replace transmission and transfer fluid Driving in mountainous areas at very low vehicle speeds or trailer towing results in higher transmission and transfer temperatures or frequently fully loaded. This requires transmission and transfer fluid changes more frequently than recommended by the Maintenance Minder. If you regularly drive your vehicle under these conditions, have the transmission and transfer fluid changed every 30,000 miles (48,000 km).</li> </ul>
4	<ul style="list-style-type: none"> <li>● Replace spark plugs</li> <li>● Replace timing belt and inspect water pump If you drive regularly in very high temperatures (over 110°F, 43°C), in very low temperatures (under -20°F, -29°C), or towing a trailer, replace every 60,000 mile (U.S.)/100,000 km (Canada)</li> <li>● Inspect valve clearance</li> </ul>
5	<ul style="list-style-type: none"> <li>● Replace engine coolant</li> </ul>
6	<ul style="list-style-type: none"> <li>● Replace VTM-4 rear differential fluid Driving in mountainous areas at very low vehicle speeds or trailer towing results in higher level of mechanical (shear) stress to fluid or frequently fully loaded. This requires differential fluid changes more frequently than recommended by the Maintenance Minder. If you regularly drive your vehicle under these conditions, have the differential fluid changed at 7,500 miles (12,000 km), then every 15,000 miles (24,000 km).</li> </ul>

# Maintenance Record

You or the servicing dealer can record all completed maintenance here. When maintenance is performed, record the mileage, circle the coded item(s) completed, and write in any other non-coded items (such as brake fluid replacement) below the codes. Keep the receipts for all work done on your vehicle. Maintenance can also be recorded in your Honda service history booklet.

Mileage	Maintenance Performed	Signature
		Date
mi km	A B 1 2 3 4 5 6	
mi km	A B 1 2 3 4 5 6	
mi km	A B 1 2 3 4 5 6	
mi km	A B 1 2 3 4 5 6	
mi km	A B 1 2 3 4 5 6	
mi km	A B 1 2 3 4 5 6	
mi km	A B 1 2 3 4 5 6	

Mileage	Maintenance Performed	Signature
		Date
mi km	A B 1 2 3 4 5 6	
mi km	A B 1 2 3 4 5 6	
mi km	A B 1 2 3 4 5 6	
mi km	A B 1 2 3 4 5 6	
mi km	A B 1 2 3 4 5 6	
mi km	A B 1 2 3 4 5 6	
mi km	A B 1 2 3 4 5 6	

Maintenance

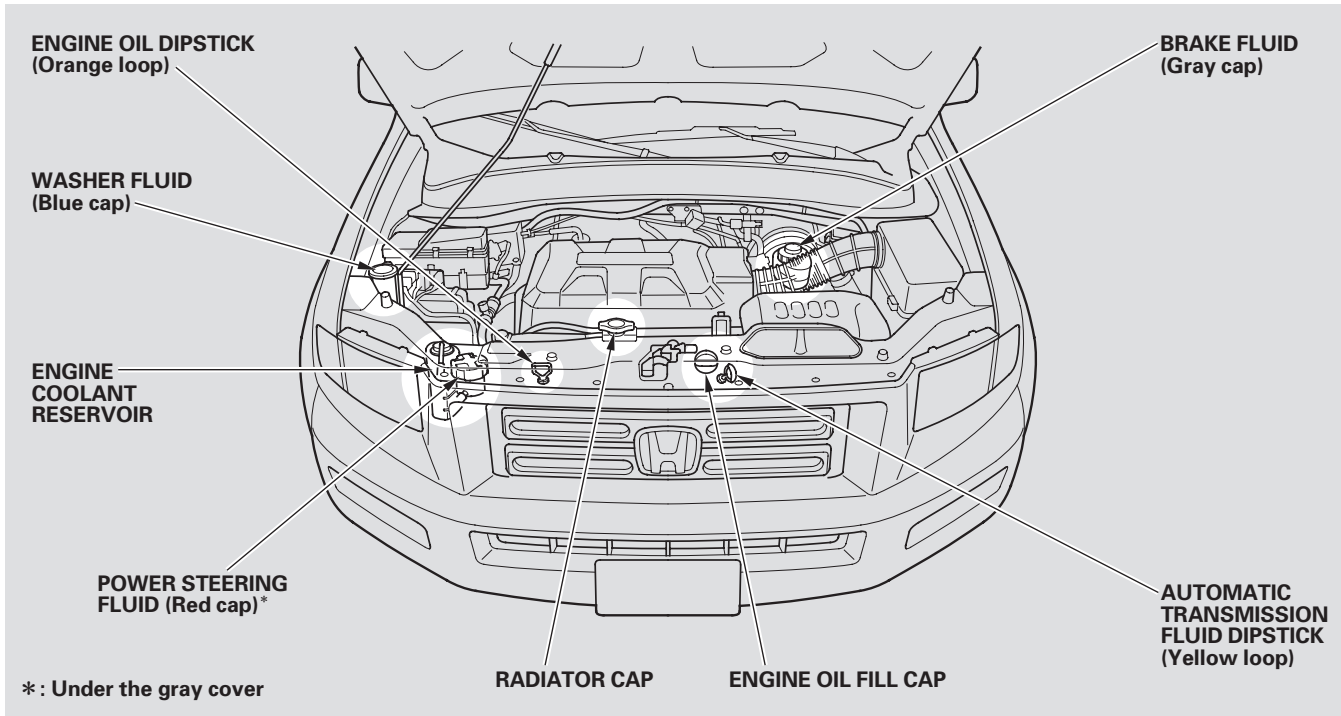
CONTINUED

# Maintenance Record

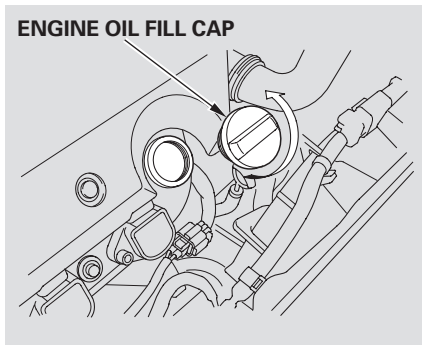
---

Mileage	Maintenance Performed	Signature
		Date
mi km	A B 1 2 3 4 5 6	
mi km	A B 1 2 3 4 5 6	
mi km	A B 1 2 3 4 5 6	
mi km	A B 1 2 3 4 5 6	
mi km	A B 1 2 3 4 5 6	
mi km	A B 1 2 3 4 5 6	
mi km	A B 1 2 3 4 5 6	

Mileage	Maintenance Performed	Signature
		Date
mi km	A B 1 2 3 4 5 6	
mi km	A B 1 2 3 4 5 6	
mi km	A B 1 2 3 4 5 6	
mi km	A B 1 2 3 4 5 6	
mi km	A B 1 2 3 4 5 6	
mi km	A B 1 2 3 4 5 6	
mi km	A B 1 2 3 4 5 6	



# Adding Engine Oil



Unscrew and remove the engine oil fill cap on the valve cover. Pour in the oil slowly and carefully so you do not spill any. Clean up any spills immediately. Spilled oil could damage components in the engine compartment. Reinstall the engine oil fill cap, and tighten it securely. Wait a few minutes, and recheck the oil level on the engine oil dipstick. Do not fill above the upper mark; you could damage the engine.

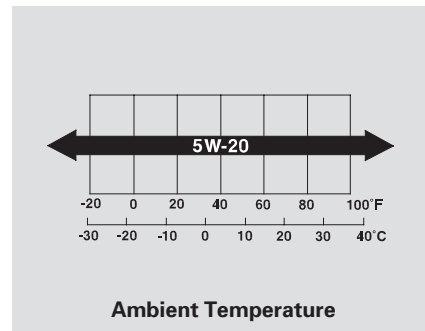
## Recommended Engine Oil

Oil is a major contributor to your engine's performance and longevity. Always use a premium-grade 5W-20 detergent oil displaying the API Certification Seal. This seal indicates the oil is energy conserving, and that it meets the American Petroleum Institute's latest requirements.



Honda Motor Oil is the preferred 5W-20 lubricant for your vehicle. It is highly recommended that you use Honda Motor Oil in your vehicle for optimum engine protection. Make sure the API Certification Seal says "For Gasoline Engines."

The oil viscosity or weight is provided on the container's label. 5W-20 oil is formulated for year-round protection of your vehicle to improve cold weather starting and fuel economy.



## Synthetic Oil

You may use a synthetic motor oil if it meets the same requirements given for a conventional motor oil: it displays the API Certification Seal, and it is the proper weight. You must follow the oil and filter change intervals shown on the information display.

## Engine Oil Additives

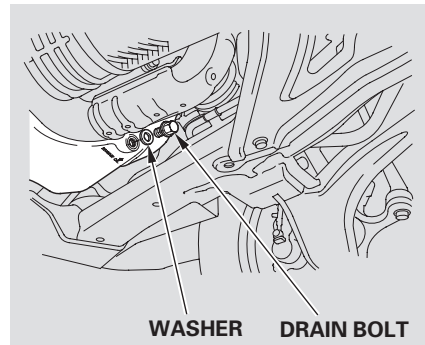
Your vehicle does not require any oil additives. Additives may adversely affect the engine or transmission performance and durability.

## Changing the Engine Oil and Filter

Always change the oil and filter according to the maintenance messages shown on the odometer and trip meter display. The oil and filter collect contaminants that can damage your engine if they are not removed regularly.

Changing the oil and filter requires special tools and access from underneath the vehicle. The vehicle should be raised on a service station-type hydraulic lift for this service. Unless you have the knowledge and proper equipment, you should have this maintenance done by a skilled mechanic.

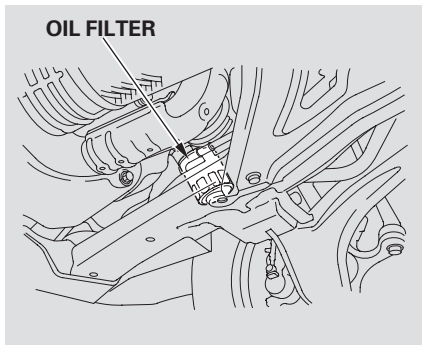
1. Run the engine until it reaches normal operating temperature, then shut it off.



2. Open the hood, and remove the engine oil fill cap. Remove the oil drain bolt and washer from the bottom of the engine. Drain the oil into an appropriate container.

CONTINUED

# Changing the Engine Oil and Filter



3. Remove the oil filter, and let the remaining oil drain. A special wrench (available from your dealer) is required.

Make sure the oil filter gasket is not stuck to the engine block. If it is, remove it before installing a new oil filter.

4. Install a new oil filter according to the instructions that come with it.

5. Put a new washer on the drain bolt, then reinstall the drain bolt. Tighten the drain bolt to:  
29 lbf-ft (39 N·m , 4.0 kgf-m)

6. Refill the engine with the recommended oil.

Engine oil change capacity  
(including filter):  
4.5 US qt (4.3 ℓ)

7. Reinstall the engine oil fill cap. Start the engine. The oil pressure indicator should go out within 5 seconds. If it does not, turn off the engine, and check your work.
8. Let the engine run for several minutes, then check the drain bolt and oil filter for leaks.

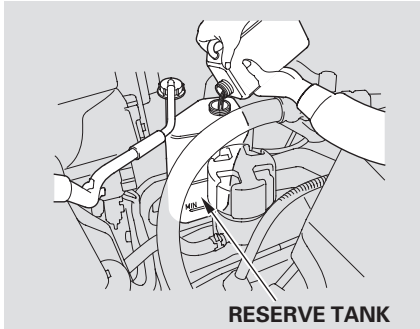
9. Turn off the engine and let it sit for several minutes, then check the oil level on the dipstick. If necessary, add more oil.

## NOTICE

*Improper disposal of engine oil can be harmful to the environment. If you change your own oil, please dispose of the used oil properly. Put it in a sealed container, and take it to a recycling center. Do not discard it in a trash bin or dump it on the ground.*



## Adding Engine Coolant



If the coolant level in the reserve tank is at or below the MIN line, add coolant to bring it up to the MAX line. Inspect the cooling system for leaks.

Always use Honda Long-life Anti-freeze/Coolant Type 2. This coolant is pre-mixed with 50 percent antifreeze and 50 percent water. Never add straight antifreeze or plain water.

If Honda antifreeze/coolant is not available, you may use another major-brand non-silicate coolant as a temporary replacement. Make sure it is a high-quality coolant recommended for aluminum engines. Continued use of any non-Honda coolant can result in corrosion, causing the cooling system to malfunction or fail. Have the cooling system flushed and refilled with Honda antifreeze/coolant as soon as possible.

If the reserve tank is completely empty, you should also check the coolant level in the radiator.

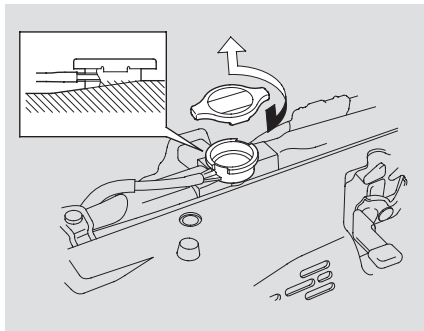
### **⚠ WARNING**

Removing the radiator cap while the engine is hot can cause the coolant to spray out, seriously scalding you.

Always let the engine and radiator cool down before removing the radiator cap.

*CONTINUED*

# Engine Coolant, Windshield Washers



1. Make sure the engine and radiator are cool.

When the radiator and engine are cool, relieve any pressure in the cooling system by turning the radiator cap counterclockwise, without pressing down.

2. Remove the radiator cap by pushing down and turning counterclockwise.

3. The coolant level should be up to the base of the filler neck. Add coolant if it is low.

Pour the coolant slowly and carefully so you do not spill any. Clean up any spill immediately; it could damage components in the engine compartment.

4. Put the radiator cap back on, and tighten it fully.

5. Pour coolant into the reserve tank. Fill it to halfway between the MAX and MIN marks. Put the cap back on the reserve tank.

Do not add any rust inhibitors or other additives to your vehicle's cooling system. They may not be compatible with the coolant or engine components.

## Windshield Washers

Check the fluid level in the windshield washer reservoir at least monthly during normal use.

The washer level indicator will come on when the level is low (see page [65](#) ).

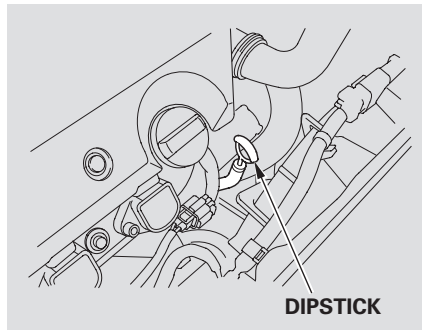
Fill the reservoir with a good-quality windshield washer fluid. This increases the cleaning capability and prevents freezing in cold weather.

When you refill the reservoir, clean the edges of the windshield wiper blades with windshield washer fluid on a clean cloth. This will help to condition them.

## NOTICE

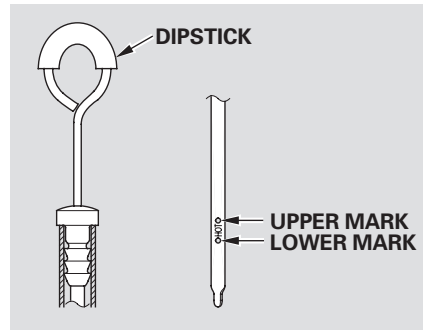
*Do not use engine antifreeze or a vinegar/water solution in the windshield washer reservoir. Antifreeze can damage your vehicle's paint, while a vinegar/water solution can damage the windshield washer pump. Use only commercially-available windshield washer fluid.*

## Automatic Transmission Fluid



Check the fluid level with the engine at normal operating temperature.

1. Park the vehicle on level ground. Start the engine and let it run until the radiator fan comes on, then shut off the engine. For accurate results, wait about 60 seconds before going to step 2, but do not wait longer than 90 seconds.



2. Remove the dipstick (yellow loop) from the transmission, and wipe it with a clean cloth.
3. Insert the dipstick all the way into the transmission securely as shown in the illustration.
4. Remove the dipstick and check the fluid level. It should be between the upper and lower marks.

*CONTINUED*

## Automatic transmission Fluid, Rear Differential Fluid

---

5. If the level is below the lower mark, remove the fill plug, then add the fluid into the hole to bring it to the level between the upper and lower marks.

Pour the fluid slowly and carefully so you do not spill any. Clean up any spill immediately; it could damage components in the engine compartment.

Always use Honda ATF-Z1 (automatic transmission fluid). If it's not available, you may use a DEXRON® III automatic transmission fluid as a temporary replacement. However, continued use can affect the shift quality. Have the transmission flushed and refilled with Honda ATF-Z1 by your dealer as soon as it is convenient.

6. Insert the dipstick all the way back in the transmission.

If you are not sure how to add fluid, contact your dealer.

### **Rear Differential Fluid**

The rear differential should be drained and refilled with new fluid when this service is indicated by a maintenance message on the information display. This service may be needed more often under certain driving conditions (see page [242](#) ).

Always use Honda VTM-4 Differential Fluid, and have your dealer replace the rear differential fluid.

### Transfer Assembly Fluid

The transfer assembly should be drained and refilled with new fluid when this service is indicated by a maintenance message on the information display.

Always use Hypoid gear oil GL4 or GL5 with a viscosity of SAE 90 or 80W-90, and have your dealer replace the transfer assembly fluid.

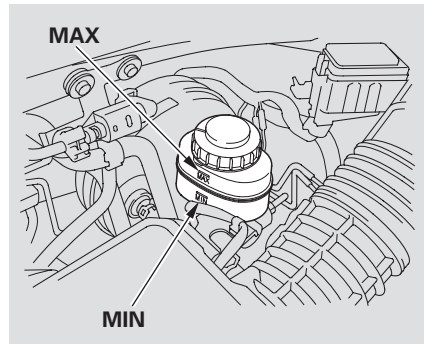
### Brake Fluid

Check the brake fluid level in the reservoir monthly. Replace the brake fluid according to the time recommendation in the maintenance minder schedule.

Always use Honda Heavy Duty Brake Fluid DOT 3. If it is not available, you should use only DOT 3 or DOT 4 fluid, from a sealed container, as a temporary replacement.

Using any non-Honda brake fluid can cause corrosion and decrease the life of the system. Have the brake system flushed and refilled with Honda Heavy Duty Brake Fluid DOT 3 as soon as possible.

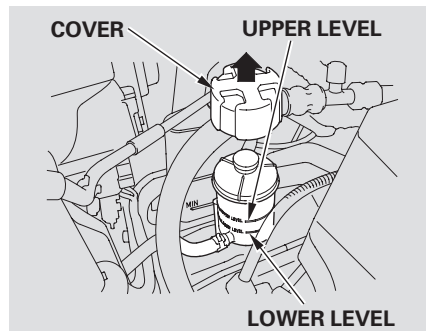
Brake fluid marked DOT 5 is not compatible with your vehicle's braking system and can cause extensive damage.



The fluid level should be between the MIN and MAX marks on the side of the reservoir. If the level is at or below the MIN mark, your brake system needs attention. Have the brake system inspected for leaks or worn brake pads.

# Power Steering Fluid, Timing Belt

## Power Steering Fluid



Remove the cover, then check the level on the side of the reservoir when the engine is cold. The fluid should be between the UPPER LEVEL and LOWER LEVEL. If not, add power steering fluid to the UPPER LEVEL mark, and put the cover back in place.

Pour the fluid slowly and carefully so you do not spill any. Clean up any spill immediately; it could damage components in the engine compartment.

Always use Honda Power Steering Fluid. You may use another power steering fluid as an emergency replacement, but have the power steering system flushed and refilled with Honda PSF as soon as possible.

A low power steering fluid level can indicate a leak in the system. Check the fluid level frequently, and have the system inspected as soon as possible.

### NOTICE

*Turning the steering wheel to full left or right lock and holding it there can damage the power steering pump.*

## Timing Belt

The timing belt should be replaced at the intervals shown in the maintenance minder schedule.

Replace the belt at 60,000 miles (U.S.) or 100,000 km (Canada) if you regularly drive your vehicle in one or more of these conditions:

- In very high temperatures (over 110°F, 43°C).
- In very low temperatures (under -20°F, -29°C).
- Towing a trailer.

### Headlight Aiming

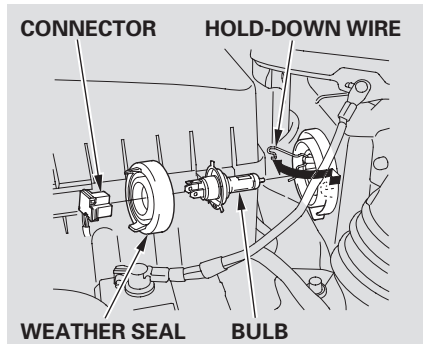
The headlights were properly aimed when your vehicle was new. If you regularly carry heavy items on the pickup bed or pull a trailer, readjustment may be required. Adjustments should be done by your dealer or other qualified mechanic.

### Replacing a Headlight Bulb

Your vehicle has halogen headlight bulbs. When replacing a bulb, handle it by its base, and protect the glass from contact with your skin or hard objects. If you touch the glass, clean it with denatured alcohol and a clean cloth.

#### NOTICE

*Halogen headlight bulbs get very hot when lit. Oil, perspiration, or a scratch on the glass can cause the bulb to overheat and shatter.*



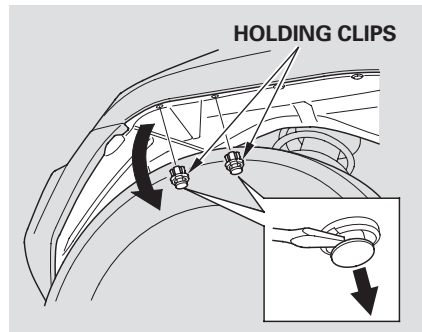
1. Remove the electrical connector from the bulb by pulling the connector straight back.
2. Remove the rubber weather seal by pulling on the tab.
3. Unclip the end of the hold-down wire from its slot. Pivot it out of the way, and remove the bulb.

CONTINUED

4. Install the new bulb into the hole, making sure the tabs are in their slots. Pivot the hold-down wire back in place, and clip the end into the slot.
5. Install the rubber weather seal over the back of the headlight assembly. Make sure it is right side up.
6. Push the electrical connector onto the new bulb. Make sure it is connected securely. Turn on the headlights to test the new bulb.

## Replacing a Front Turn Signal/Hazard/Parking Light Bulb

1. To change the passenger's side bulb, start the engine, turn the steering wheel all the way to the left, and turn off the engine. To change the driver's side bulb, turn the steering wheel to the right.



2. Use a flat-tipped screwdriver to remove the two holding clips from the inner fender, and pull the inner fender cover back.

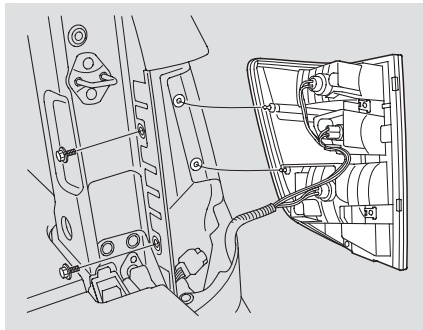


3. Remove the socket from the headlight assembly by turning it one-quarter turn counterclockwise.
4. Pull the bulb straight out of its socket. Push the new bulb straight into the socket until it bottoms.

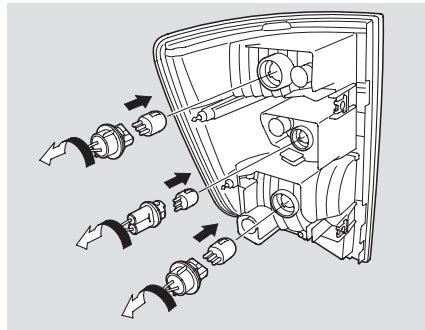


5. Insert the socket back into the headlight assembly. Turn it clockwise to lock it in place.
6. Turn on the lights to make sure the new bulb is working.
7. Put the inner fender cover in place. Install and lock each holding clip by pushing on the center.

## Replacing Rear Bulbs



1. Drop open the tailgate.
2. Remove the two bolts, and remove the rear light assembly from the rear pillar.
3. Determine which of the three bulbs is burned out: brake/taillight, turn signal/hazard light, or back-up light.

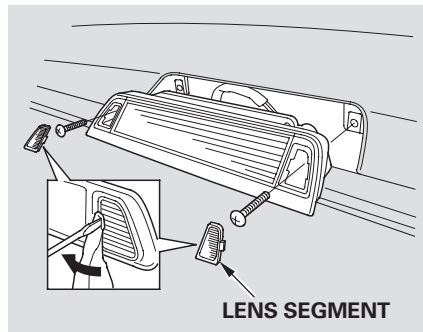


4. Remove the socket by turning it one-quarter turn counterclockwise.
5. Remove the burned-out bulb by pulling it straight out of the socket.

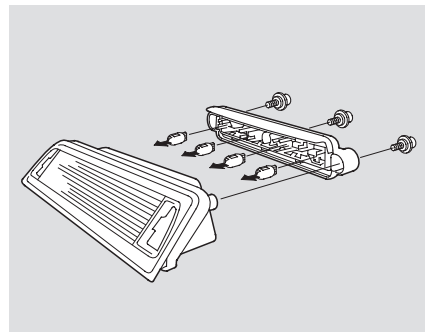
*CONTINUED*

6. Install the new bulb into the socket.
7. Push the socket into the light assembly, and turn it clockwise until it locks.
8. Turn on the lights to make sure the new bulb is working.
9. Install the rear light assembly in the rear pillar. Tighten the two bolts securely.

## Replacing a High-mount Brake Light Bulb



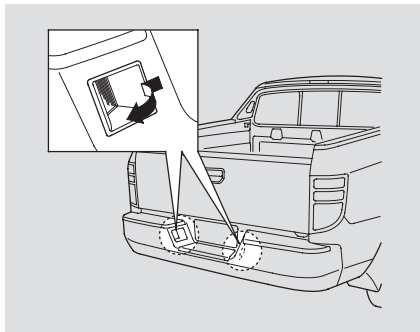
1. Place a cloth on the edge of the lens segment. Remove each lens segment by carefully prying on its edge with a small flat-tipped screwdriver.
2. Remove the screw under each lens.
3. Pull the high-mount brake light assembly out of the vehicle.



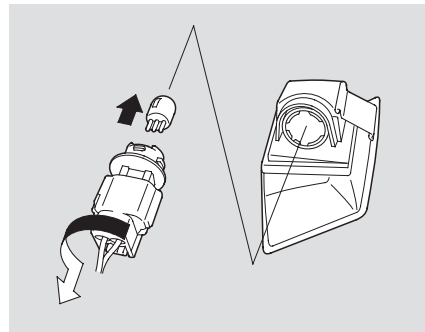
4. Remove the three mounting screws from the light assembly.
5. Remove the lens from the light assembly.
6. Pull the bulb straight out of its socket. Push the new bulb straight into the socket until it bottoms.

7. Put the lens back on the light assembly, and tighten the mounting bolts securely.
8. Turn on the lights to make sure the new bulb is working.
9. Put the light assembly back into the vehicle. Install the screws and tighten them securely. Reinstall the lens segments.

## Replacing a Rear License Plate Bulb



1. Remove the license plate light assembly by pulling it towards you, and then pulling the front edge upward.
2. Remove the socket from the light assembly by turning it one-quarter turn counterclockwise.

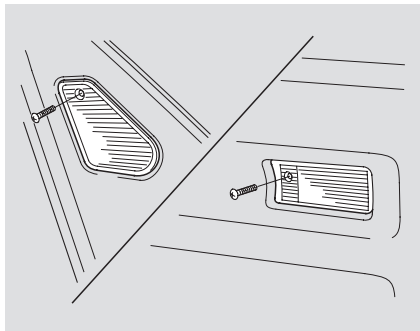


3. Pull the bulb straight out of its socket. Push the new bulb straight into the socket until it bottoms.
4. Push the socket into the light assembly, and turn it clockwise until it locks.

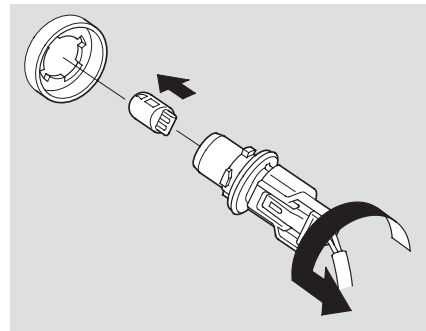
CONTINUED

5. Turn on the lights to make sure the new bulb is working.
6. Reinstall the light assembly in the bumper.

## Replacing a Bed Light Bulb



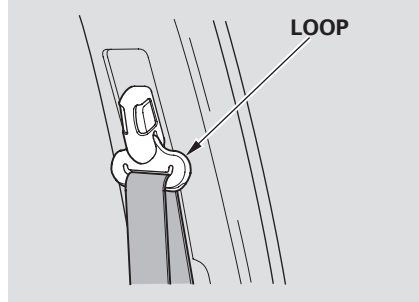
1. Remove the mounting screw from the bed light assembly.
2. Pull out the light assembly.
3. Remove the socket from the light assembly by turning it one-quarter turn counterclockwise.



4. Pull the bulb straight out of its socket. Push the new bulb straight into the socket until it bottoms.
5. Push the socket into the light assembly, and turn it clockwise until it locks.

6. Reinstall the light assembly.
7. Turn on the lights to make sure the new bulb is working.
8. Reinstall the mounting screw, and tighten it securely.

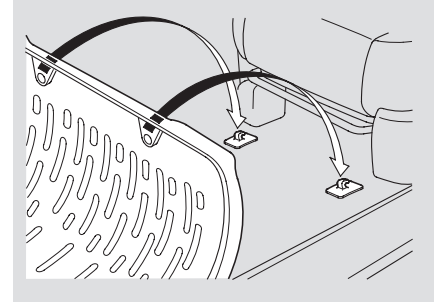
## Cleaning the Seat Belts



If your seat belts get dirty, use a soft brush with a mixture of mild soap and warm water to clean them. Do not use bleach, dye, or cleaning solvents. Let the belts air-dry before you use the vehicle.

Dirt build-up in the loops of the seat belt anchors can cause the belts to retract slowly. Wipe the insides of the loops with a clean cloth dampened in mild soap and warm water or isopropyl alcohol.

## Floor Mats



The floor mats that came with your vehicle hook over floor mat anchors. This keeps the floor mats from sliding forward or backward and possibly interfering with the pedals or making the front passenger's weight sensors ineffective.

If you remove a floor mat, make sure to re-anchor it when you put it back in your vehicle.

*CONTINUED*

## Floor Mats, Dust and Pollen Filter, Wiper Blades

---

A non-Honda floor mat may not fit your vehicle properly. This could prevent the proper operation of the folding rear seats and the passenger's seat weight sensors. We recommend using genuine Honda floor mats. Do not put additional floor mats on top of the anchored mats.

### Dust and Pollen Filter

This filter removes the dust and pollen that is brought in from the outside through the heating and cooling system/climate control system.

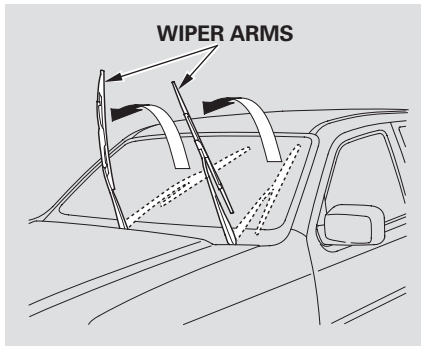
Have your dealer replace this filter when this service is indicated by a maintenance message on the information display. It should be replaced every 15,000 miles (24,000 km) if you drive primarily in urban areas that have high concentrations of soot in the air, or if the air flow from the heating and cooling system/climate control system becomes less than usual.

### Wiper Blades

Check the condition of the wiper blades at least every six months. Replace them if you find signs of cracking in the rubber, areas that are getting hard, or if they leave streaks and unwiped areas when used.

To replace a wiper blade:

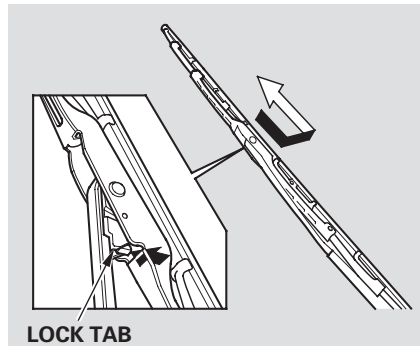
1. To raise the wiper arm, turn the ignition switch to the ON (II) position and activate the wipers (see page 75 ). When the wipers are in the upright position, turn the ignition switch off to stop the wipers in that position.



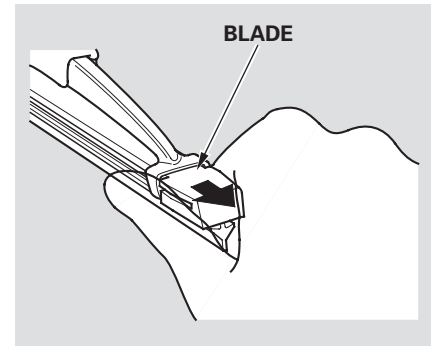
2. Raise the wiper arm off the windshield.

## NOTICE

*Do not open the hood when the wiper arms are raised, or you will damage the hood and the wiper arms.*



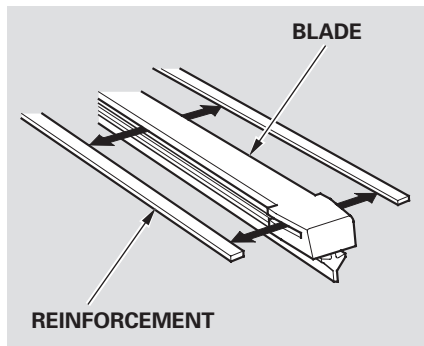
3. Disconnect the blade assembly from the wiper arm by pushing in the lock tab. Hold the lock tab in while you push the blade assembly toward the base of the arm.



4. Remove the blade from its holder by grabbing the tabbed end of the blade. Pull up firmly until the tabs come out of the holder.

CONTINUED

# Wiper Blades, Wheels



5. Examine the new wiper blades. If they have no plastic or metal reinforcement along the back edge, remove the metal reinforcement strips from the old wiper blade, and install them in the slots along the edge of the new blade.

6. Slide the new wiper blade into the holder until the tabs lock.
7. Slide the wiper blade assembly onto the wiper arm. Make sure it locks in place.
8. Lower the wiper arm against the window.
9. Turn the ignition switch to the ON (II) position, and turn the wiper switch off to return the wiper arms to the parked position.

## Wheels

Clean the wheels as you would the rest of the exterior. Wash them with the same solution, and rinse them thoroughly.

### *If equipped*

Aluminum alloy wheels have a protective clear-coat that keeps the aluminum from corroding and tarnishing. Cleaning the wheels with harsh chemicals (including some commercial wheel cleaners) or a stiff brush can damage the clear-coat. To clean the wheels, use a mild detergent and a soft brush or sponge.



To safely operate your vehicle, your tires must be the proper type and size, in good condition with adequate tread, and correctly inflated.

The following pages give more detailed information on how to take care of your tires and what to do when they need to be replaced.

### **WARNING**

Using tires that are excessively worn or improperly inflated can cause a crash in which you can be seriously hurt or killed.

Follow all instructions in this owner's manual regarding tire inflation and maintenance.

### **Inflation Guidelines**

Keeping the tires properly inflated provides the best combination of handling, tread life, and riding comfort.

- Underinflated tires wear unevenly, adversely affect handling and fuel economy, and are more likely to fail from being overheated.
- Overinflated tires can make your vehicle ride more harshly, are more prone to damage from road hazards, and wear unevenly.

The tire pressure monitoring system (TPMS) warns you when a tire pressure is low. See page 204 for more information.

Even though your vehicle is equipped with TPMS, we recommend that you visually check your tires every day. If you think a tire might be low, check it immediately with a tire gauge.

Use a gauge to measure the air pressure in each tire at least once a month. Even tires that are in good condition may lose 1 to 2 psi (10 to 20 kPa, 0.1 to 0.2 kgf/cm<sup>2</sup>) per month. Remember to check the spare tire at the same time.

Check the air pressures when the tires are cold. This means the vehicle has been parked for at least 3 hours, or driven less than 1 mile (1.6 km). Add or release air, if needed, to match the recommended cold tire pressures on page 266 .

*CONTINUED*

# Tires

---

If you check air pressures when the tires are hot [driven for several miles (kilometers)], you will see readings 4 to 6 psi (30 to 40 kPa, 0.3 to 0.4 kgf/cm<sup>2</sup>) higher than the cold readings. This is normal. Do not let air out to match the recommended cold air pressure. The tire will be underinflated.

You should get your own tire pressure gauge and use it whenever you check your tire pressures. This will make it easier for you to tell if a pressure loss is due to a tire problem and not due to a variation between gauges.

While tubeless tires have some ability to self-seal if they are punctured, you should look closely for punctures if a tire starts losing pressure.

Never use a puncture-repairing agent in a flat tire. If used, you will have to replace the tire pressure sensor. Have the flat tire repaired by your dealer as soon as possible.

## Recommended Tire Pressures

The following chart shows the recommended cold tire pressures for most normal and high-speed driving conditions.

Tire Size	Cold Tire Pressure
P245/65R17 105S	Front/Rear: 32 psi (220 kPa , 2.2 kgf/cm <sup>2</sup> )
Compact Spare T165/90R17 105M	60 psi (420 kPa , 4.2 kgf/cm <sup>2</sup> )

For convenience, the recommended tire sizes and cold tire pressures are on a label on the driver's doorjamb.

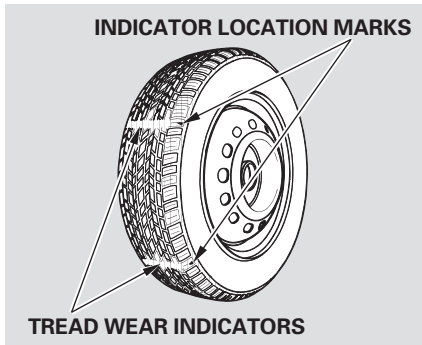
For additional information about your tires, see page [306](#).

## Tire Inspection

Every time you check inflation, you should also examine the tires for damage, foreign objects, and wear.

You should look for:

- Bumps or bulges in the tread or side of the tire. Replace the tire if you find either of these conditions.
- Cuts, splits, or cracks in the side of the tire. Replace the tire if you can see fabric or cord.
- Excessive tread wear.



Your tires have wear indicators molded into the tread. When the tread wears down, you will see a band 1/2 inch (12.7 mm) wide band across the tread. This shows there is less than 1/16 inch (1.6 mm) of tread left on the tire.

A tire this worn gives very little traction on wet roads. You should replace the tire if you can see three or more tread wear indicators.

### Tire Maintenance

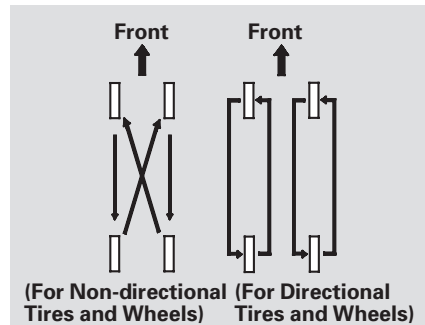
In addition to proper inflation, correct wheel alignment helps to decrease tire wear. If you find a tire is worn unevenly, have your dealer check the wheel alignment.

Have your dealer check the tires if you feel a consistent vibration while driving. A tire should always be rebalanced if it is removed from the wheel. When you have new tires installed, make sure they are balanced. This increases riding comfort and tire life. For best results, have the installer perform a dynamic balance.

#### NOTICE

*On vehicles with aluminum wheels, improper wheel weights can damage your vehicle's wheels. Use only Honda wheel weights for balancing.*

### Tire Rotation



To help increase tire life and distribute wear more evenly, rotate the tires according to the maintenance messages displayed on the information display. Move the tires to the positions shown in the diagram each time they are rotated. If you purchase directional tires, rotate only front-to-back.

## Replacing Tires and Wheels

Replace your tires with radial tires of the same size, load range, speed rating, and maximum cold tire pressure rating (as shown on the tire's sidewall).

Mixing radial and bias-ply tires on your vehicle can reduce braking ability, traction, and steering accuracy. Using tires of a different size or construction can cause the ABS and vehicle stability assist system (VSA) to work inconsistently.

The ABS works by comparing the speed of the wheels. When replacing tires, use the same size originally supplied with the vehicle. Tire size and construction can affect wheel speed and may cause the system to activate.

It is best to replace all four tires at the same time. If that is not possible or necessary, replace the two front tires or two rear tires as a pair. Replacing just one tire can seriously affect your vehicle's handling.

If you ever replace a wheel, make sure that the wheel's specifications match those of the original wheels.

Also be sure you use only TPMS specific wheels. If you do not, the tire pressure monitoring system will not work on that tire.

Replacement wheels are available at your dealer.

## WARNING

Installing improper tires on your vehicle can affect handling and stability. This can cause a crash in which you can be seriously hurt or killed.

Always use the size and type of tires recommended in this owner's manual.

## Wheel and Tire Specifications

Wheels:

17 x 7 1/2 J

Tires:

P245/65R17 105S

See page 304 for DOT tire quality grading information, and page 306 for tire size information.

## Winter Driving

Tires marked “M + S” or “All Season” on the sidewall have an all-weather tread design suitable for most winter driving conditions.

For the best performance in snowy or icy conditions, you should install snow tires or tire chains. They may be required by local laws under certain conditions.

## Snow Tires

If you mount snow tires on your vehicle, make sure they are radial tires of the same size and load range as the original tires. Mount snow tires on all four wheels. The traction provided by snow tires on dry roads may be lower than your original tires. Check with the tire dealer for maximum speed recommendations.

## Tire Chains

Mount tire chains on your tires when required by driving conditions or local laws. Install them only on the front tires. Do not use chains on the rear tires.

Because your vehicle has limited tire clearance, we strongly recommend using this Quality Chain Corp. tire chain:

## Premium Cobra Cable Chain # 1046P with accessory adjusters\*

This tire chain is available at many auto supply stores. To find a local store that carries the chain, call Quality Chain Corp at 1-800-843-8824. To order the tire chain online, go to [www.chainquest.com](http://www.chainquest.com), and enter your vehicle information. When you install the chains, follow the manufacturer's instructions, and mount them as tightly as you can. Drive slowly with the chains installed.

\*Rubber chain adjusters, or tensioners, must be used to prevent the chains from contacting the body or the chassis.

CONTINUED

## **⚠ WARNING**

Using the wrong chains, or not properly installing chains, can damage the brake lines and cause a crash in which you can be seriously injured or killed.

Follow all instructions in this owner's manual regarding the selection and use of tire chains.

If you ever hear the chains contacting the body or chassis, stop and investigate. If the chains have loosened, retighten them. Make sure they do not contact the brake lines or suspension.

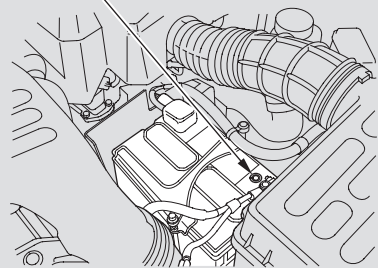
Remove the chains as soon as you begin driving on cleared roads.

## **NOTICE**

*Traction devices that are the wrong size or improperly installed can damage your vehicle's brake lines, suspension, body, and wheels. Stop driving if they are hitting any part of the vehicle.*

## **Checking the Battery**

### **TEST INDICATOR WINDOW**



Check the condition of the battery monthly by looking at the test indicator window. The label on the battery explains the test indicator's colors.

Check the terminals for corrosion (a white or yellowish powder). To remove it, cover the terminals with a solution of baking soda and water. It will bubble up and turn brown. When this stops, wash it off with plain water. Dry off the battery with a cloth or paper towel. Coat the terminals with grease to help prevent future corrosion.

If additional battery maintenance is needed, see your dealer or a qualified technician.

**WARNING:** Battery posts, terminals, and related accessories contain lead and lead compounds. **Wash your hands after handling.**

If you need to connect the battery to a charger, disconnect both cables to prevent damaging your vehicle's electrical system. Always disconnect the negative (–) cable first, and reconnect it last.

### **WARNING**

The battery gives off explosive hydrogen gas during normal operation.

A spark or flame can cause the battery to explode with enough force to kill or seriously hurt you.

Wear protective clothing and a face shield, or have a skilled technician do the battery maintenance.

If your vehicle's battery is disconnected or goes dead, the audio system will disable itself. The next time you turn on the radio you will see "CODE" in the frequency display. Use the preset bars to enter the code (see page [162](#)).

*On vehicles with navigation system*  
The navigation system will also disable itself. The next time you turn on the ignition switch, the system will require you to enter a PIN before it can be used. Refer to the navigation system manual.

## Vehicle Storage

---

If you need to park your vehicle for an extended period (more than 1 month), there are several things you should do to prepare it for storage. Proper preparation helps prevent deterioration and makes it easier to get your vehicle back on the road. If possible, store your vehicle indoors.

- Fill the fuel tank.
- Change the engine oil and filter.
- Wash and dry the exterior completely.
- Clean the interior. Make sure the carpeting, floor mats, etc., are completely dry.
- Leave the parking brake off. Put the transmission in Park.

- Block the rear wheels.
- If the vehicle is to be stored for a longer period, it should be supported on jackstands so the tires are off the ground.
- Leave one window open slightly (if the vehicle is being stored indoors).
- Disconnect the battery.
- Support the front wiper blade arms with a folded towel or rag so they do not touch the windshield.
- To minimize sticking, apply a silicone spray lubricant to all door, In-Bed Trunk lid, and tailgate seals. Also, apply a vehicle body wax to the painted surfaces that mate with the door, In-Bed Trunk lid and tailgate seals.
- Cover the vehicle with a “breathable” cover, one made from a porous material such as cotton. Non-porous materials, such as plastic sheeting, trap moisture, which can damage the paint.
- If possible, periodically run the engine until it reaches full operating temperature (the cooling fans cycle on and off twice). Preferably, do this once a month.



This section covers the more common problems that motorists experience with their vehicles. It gives you information about how to safely evaluate the problem and what to do to correct it. If the problem has stranded you on the side of the road, you may be able to get going again. If not, you will also find instructions on getting your vehicle towed.

Compact Spare Tire.....	274
Changing a Flat Tire .....	275
If the Engine Won't Start.....	283
Jump Starting .....	284
If the Engine Overheats .....	286
Low Oil Pressure Indicator .....	288
Charging System Indicator.....	288
Malfunction Indicator Lamp .....	289
Brake System Indicator .....	290
Fuses .....	291
Fuse Locations.....	294
Emergency Towing .....	296
If Your Vehicle Gets Stuck.....	297

## Compact Spare Tire

Use the compact spare tire as a temporary replacement only. Get your regular tire repaired or replaced, and put it back on your vehicle as soon as you can.

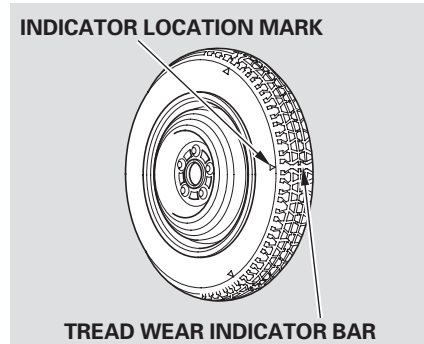
Check the inflation pressure of the compact spare tire every time you check the other tires. It should be inflated to:

60 psi (420 kPa , 4.2 kgf/cm<sup>2</sup>)

Follow these precautions:

- Never exceed 50 mph (80 km/h).
- This tire gives a harsher ride and less traction on some road surfaces. Use greater caution while driving.

- Do not mount snow chains on a compact spare.
- Do not use the compact spare tire if you are towing a trailer.
- Do not use your compact spare tire on another vehicle unless it is the same make and model.
- Driving with the compact spare tire may activate the TPMS (see page 205 ). The TPMS does not monitor compact spare tire pressure.



Replace the tire when you can see the tread wear indicator bars. The replacement should be the same size and design tire, mounted on the same wheel. The spare tire is not designed to be mounted on a regular wheel, and the spare wheel is not designed for mounting a regular tire.

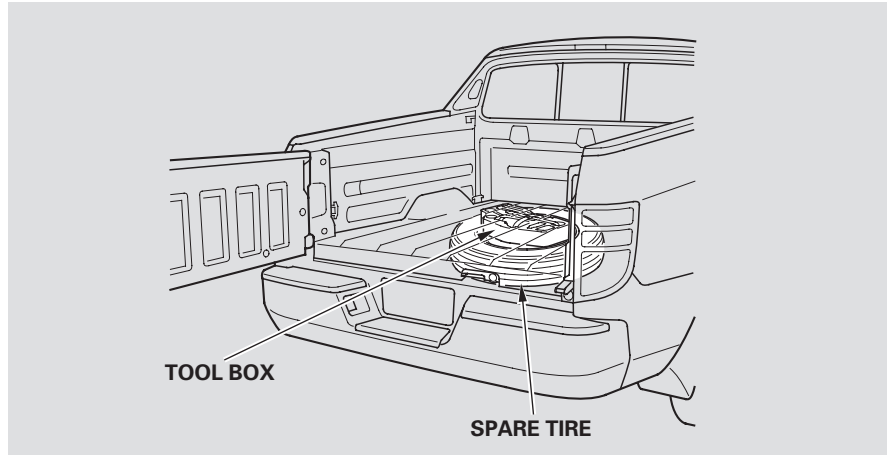
If you have a flat tire while driving, stop in a safe place to change it. Drive slowly along the shoulder until you get to an exit or an area to stop that is far away from the traffic lanes.

## **⚠️ WARNING**

The vehicle can easily roll off the jack, seriously injuring anyone underneath.

Follow the directions for changing a tire exactly, and never get under the vehicle when it is supported only by the jack.

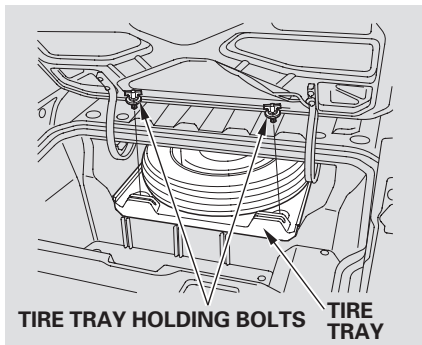
If you tow a trailer frequently, we recommend that you use a regular tire as a spare. You can store the regular size spare tire on the tire tray, but store the tool kit at the side of the In-Bed Trunk (see page 281), and secure it.



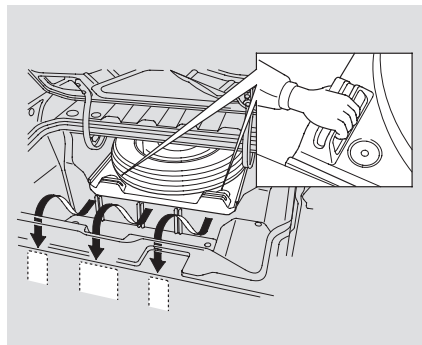
1. Park the vehicle on firm, level, and non-slippery ground. Put the transmission in Park. Apply the parking brake. If you are towing a trailer, unhitch it.
2. Turn on the hazard warning lights, and turn the ignition switch to the LOCK (0) position. Have all passengers get out of the vehicle while you change the tire.

CONTINUED

## Changing a Flat Tire

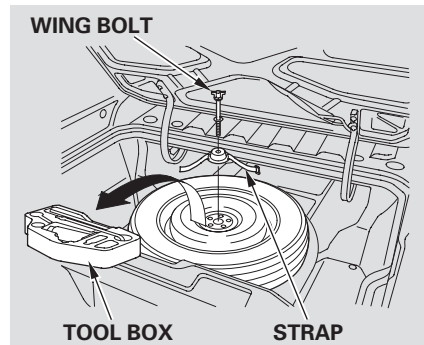


3. Open the In-Bed Trunk.
4. Remove the two tire tray holding bolts.

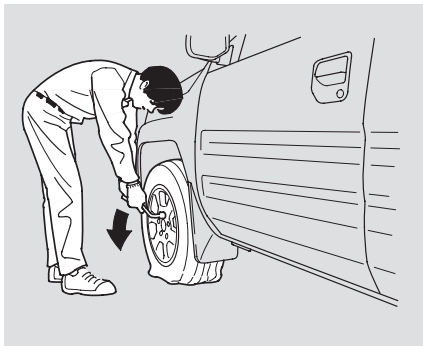


5. Pull out the tire tray with the handle, and hook the rear of the tire tray to the guides on the back edge of the In-Bed Trunk.

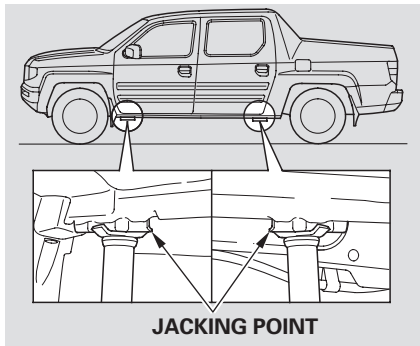
If you are using a cargo net or a cargo cover in the In-Bed Trunk, remove it before pulling out the tire tray.



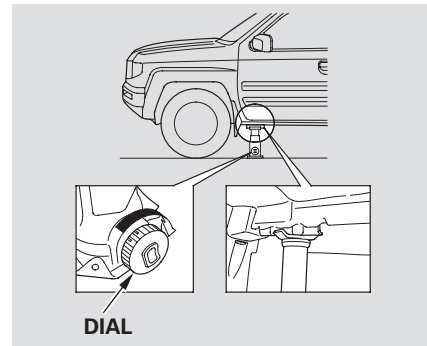
6. Unfasten the strap to remove the tool box, and unscrew the wing bolt.
7. Take out the compact spare tire.



8. Loosen each wheel nut 1/2 turn with the wheel nut wrench.



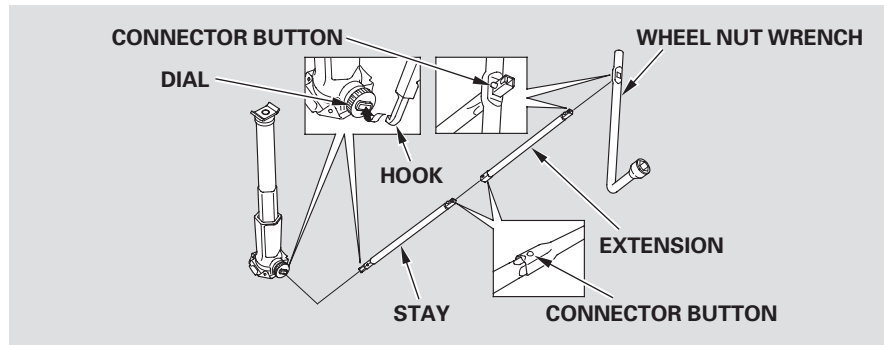
9. Place the jack under the jacking point nearest the tire you need to change.



10. Turn the dial at the bottom of the jack clockwise until the top of the jack contacts the jacking point. Make sure the jacking point tab is resting in the jack notch.

CONTINUED

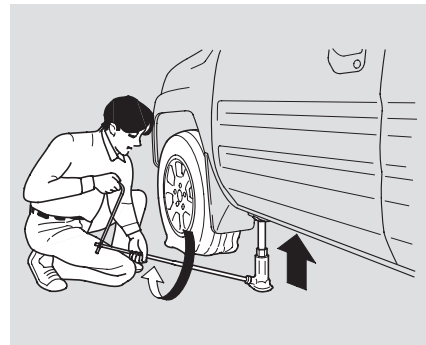
# Changing a Flat Tire



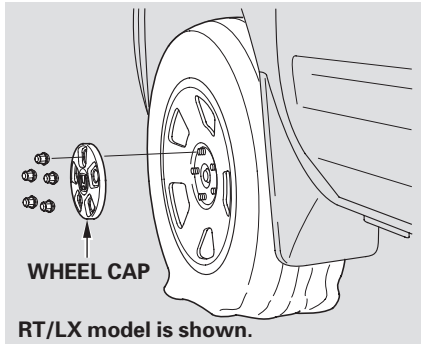
11. Attach the stay to the extension, then attach the wheel nut wrench to the end of the extension.

Make sure the stay, the extension, and the wheel nut wrench are securely attached.

12. Insert the hook at the end of the stay into the opening on the dial at the bottom of the jack.



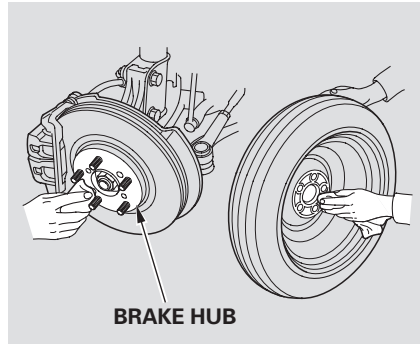
13. Turn the jack dial (wheel nut wrench) clockwise as shown to raise the vehicle until the flat tire is off the ground.



14. Remove the wheel nuts and the wheel cap (on RT and Canadian LX models) then remove the flat tire. Handle the wheel nuts carefully; they may be hot from driving. Place the flat tire on the ground with the outside surface facing up.

*On RT and Canadian LX models*

The wheel cap cannot be removed without first removing the wheel nuts.

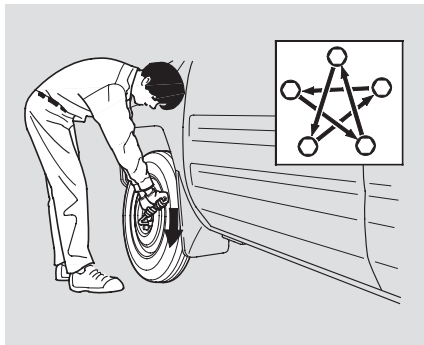


15. Before mounting the spare tire, wipe any dirt off the mounting surface of the wheel and hub with a clean cloth. Wipe the hub carefully; it may be hot from driving.

16. Put on the spare tire. Put the wheel nuts back on finger-tight, then tighten them in a crisscross pattern with the wheel nut wrench until the wheel is firmly against the hub. Do not try to tighten the wheel nuts fully.
17. Lower the vehicle to the ground, and remove the jack.

CONTINUED

# Changing a Flat Tire

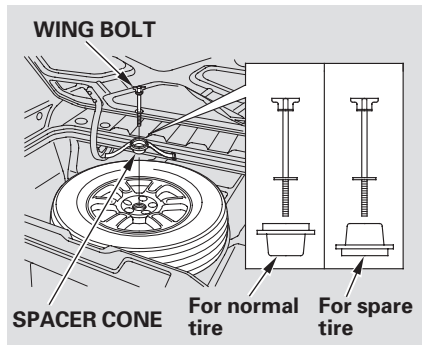


18. Tighten the wheel nuts securely in the same crisscross pattern. Have the wheel nut torque checked at the nearest automotive service facility.

Tighten the wheel nuts to:  
94 lbf·ft (127 N·m , 13 kgf·m)

19. *On RTX, RTS, RTL, and Canadian EXL models*

Remove the center cap from the flat tire.



20. Place the flat tire face up on the tire tray.

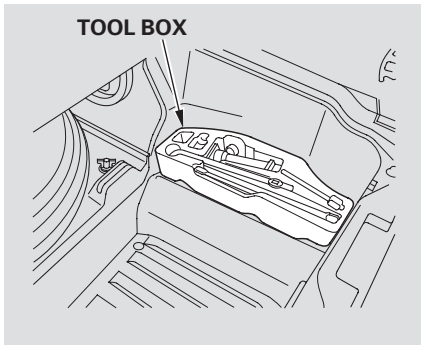
21. Remove the spacer cone from the wing bolt, turn it over, and put it back on the bolt.

22. Secure the flat tire by screwing the wing bolt back into its hole.

23. Release the tire tray and slide it back in place.

24. Tighten the tire tray holding bolts securely.





25. Store the jack and the tools in the tool box.

26. When storing the flat tire, place the tool box at the right side of the In-Bed Trunk as shown.

## **⚠ WARNING**

Loose items can be thrown out of the vehicle in a crash and could seriously injure the occupants.

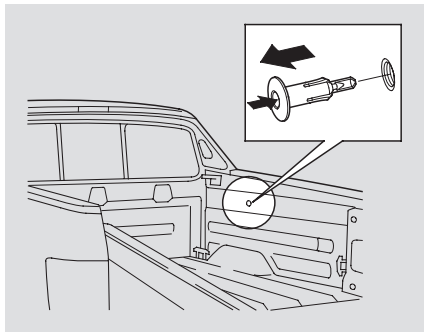
Store the wheel, jack, and tools securely before driving.

27. Store the wheel cap or center cap in the In-Bed Trunk. Make sure it does not get scratched or damaged.

28. Refer to **Changing a Tire with TPMS** (see page [205](#)).

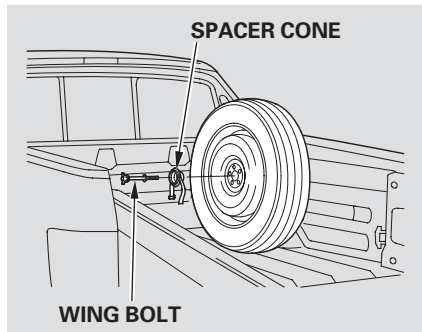
# Changing a Flat Tire

## Securing a Spare Tire on the Pickup Bed



As a temporary mounting location, you can secure a spare tire on the pickup bed, if needed.

1. Remove the clip by pushing the center of its top.
2. Remove the spare tire from the tire tray (see page [276](#)).



3. Place the spare tire on the pickup bed as shown.
4. Place the spacer cone in the wheel hub, and secure the spare tire to the pickup bed with the wing bolt.
5. Store or secure the tool box.

If you remove the spare tire from the pickup bed, reinstall the clip back into its hole.

Diagnosing why the engine won't start falls into two areas, depending on what you hear when you turn the ignition switch to the START (III) position:

- You hear nothing, or almost nothing. The engine's starter motor does not operate at all, or operates very slowly.
- You can hear the starter motor operating normally, or the starter motor sounds like it is spinning faster than normal, but the engine does not start up and run.

## Nothing Happens or the Starter Motor Operates Very Slowly

When you turn the ignition switch to the START (III) position, you do not hear the normal noise of the engine trying to start. You may hear a clicking sound, a series of clicks, or nothing at all.

Check these things:

- Check the transmission interlock. The transmission must be in Park or neutral or the starter will not operate.
- Turn the ignition switch to the ON (II) position. Turn on the headlights, and check their brightness. If the headlights are very dim or do not come on at all, the battery is discharged. See **Jump Starting** on page 284.
- Turn the ignition switch to the START (III) position. If the headlights do not dim, check the condition of the fuses. If the fuses are OK, there is probably something wrong with the electrical circuit for the ignition switch or starter motor. You will need a qualified technician to determine the problem. See **Emergency Towing** on page 296.

If the headlights dim noticeably or go out when you try to start the engine, either the battery is discharged or the connections are corroded. Check the condition of the battery and terminal connections (see page 270). You can then try jump starting the vehicle from a booster battery (see page 284).

## The Starter Operates Normally

In this case, the starter motor's speed sounds normal, or even faster than normal, when you turn the ignition switch to the START (III) position, but the engine does not run.

- Are you using a properly coded key? An improperly coded key will cause the immobilizer system indicator in the instrument panel to blink rapidly (see page 81).

CONTINUED

# If the Engine Won't Start, Jump Starting

---

- Are you using the proper starting procedure? Refer to **Starting the Engine** on page 196 .
- Do you have fuel? Check the fuel gauge; the low fuel indicator may not be working.
- There may be an electrical problem, such as no power to the fuel pump. Check all the fuses (see page 291 ).

If you find nothing wrong, you will need a qualified technician to find the problem. See **Emergency Towing** on page 296 .

## Jump Starting

Although this seems like a simple procedure, you should take several precautions.

### **WARNING**

A battery can explode if you do not follow the correct procedure, seriously injuring anyone nearby.

Keep all sparks, open flames, and smoking materials away from the battery.

You cannot start your vehicle by pushing or pulling it.

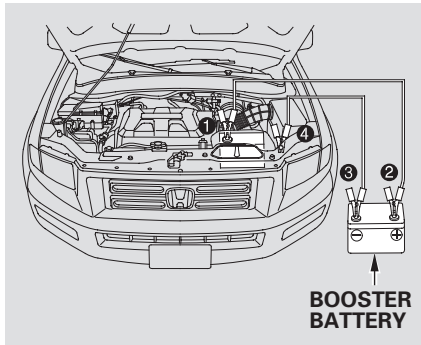
## To Jump Start Your Vehicle:

1. Open the hood, and check the physical condition of the battery. In very cold weather, check the condition of the electrolyte. If it seems slushy or frozen, do not try jump starting until it thaws.

### **NOTICE**

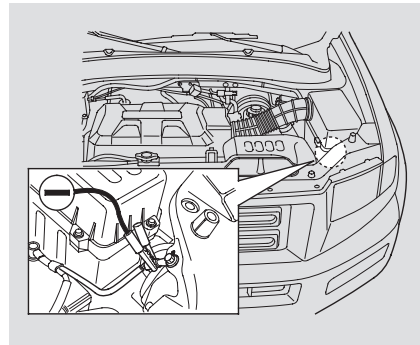
*If a battery sits in extreme cold, the electrolyte inside can freeze. Attempting to jump start with a frozen battery can cause it to rupture.*

2. Turn off all electrical accessories: heater, A/C, climate control, audio system, lights, etc. Put the transmission in Park, and set the parking brake.



The numbers in the illustration show you the order to connect the jumper cables.

3. Connect one jumper cable to the positive (+) terminal on your vehicle's battery. Connect the other end to the positive (+) terminal on the booster battery.



4. Connect the second jumper cable to the negative (-) terminal on the booster battery. Connect the other end to the grounding strap as shown. Do not connect this jumper cable to any other part of the engine.

5. If the booster battery is in another vehicle, have an assistant start that vehicle and run it at a fast idle.

6. Start the vehicle. If the starter motor still operates slowly, check that the jumper cables have good metal-to-metal contact.

7. Once your vehicle is running, disconnect the negative cable from your vehicle, then from the booster battery. Disconnect the positive cable from your vehicle, then from the booster battery.

Keep the ends of the jumper cables away from each other and any metal on the vehicle until everything is disconnected. Otherwise, you may cause an electrical short.

## If the Engine Overheats

---

The pointer of your vehicle's temperature gauge should stay in the midrange under most conditions. If it climbs to the red mark, you should determine the reason (hot day, driving up a steep hill, etc.).

If the vehicle overheats, you should take immediate action. The only indication may be the temperature gauge climbing to or above the red mark. Or you may see steam or spray coming from under the hood.

### NOTICE

*Driving with the temperature gauge pointer at the red mark can cause serious damage to the engine.*

### WARNING

Steam and spray from an overheated engine can seriously scald you.

Do not open the hood if steam is coming out.

1. Safely pull to the side of the road. Put the transmission in Park, and set the parking brake. Turn off all accessories, and turn on the hazard warning indicators.
2. If you see steam and/or spray coming from under the hood, turn off the engine. Wait until you see no more signs of steam or spray, then open the hood.
3. If you do not see steam or spray, leave the engine running, and watch the temperature gauge. If the high heat is due to overloading, the engine should start to cool down almost immediately. If it does, wait until the temperature gauge comes down to the midpoint, then continue driving.

4. If the temperature gauge stays at the red mark, turn off the engine.
5. Look for any obvious coolant leaks, such as a split radiator hose. Everything is still extremely hot, so use caution. If you find a leak, it must be repaired before you continue driving (see **Emergency Towing** on page 296).
6. If you do not find an obvious leak, check the coolant level in the radiator reserve tank. Add coolant if the level is below the MIN mark.
7. If there was no coolant in the reserve tank, you may need to add coolant to the radiator. Let the engine cool down until the pointer reaches the middle of the temperature gauge, or lower, before checking the radiator.

### **WARNING**

Removing the radiator cap while the engine is hot can cause the coolant to spray out, seriously scalding you.

Always let the engine and radiator cool down before removing the radiator cap.

8. Using gloves or a large heavy cloth, turn the radiator cap counterclockwise, without pushing down, to the first stop. After the pressure releases, push down on the cap, and turn it until it comes off.
9. Start the engine, and set the temperature to maximum heat (climate control to AUTO at “**H**”). Add coolant to the radiator up to the base of the filler neck. If you do not have the proper coolant mixture available, you can add plain water. Remember to have the cooling system drained and refilled with the proper mixture as soon as you can.
10. Put the radiator cap back on tightly. Run the engine, and watch the temperature gauge. If it goes back to the red mark, the engine needs repair (see **Emergency Towing** on page 296).
11. If the temperature stays normal, check the coolant level in the radiator reserve tank. If it has gone down, add coolant to the MAX mark. Put the cap back on tightly.

# Low Oil Pressure Indicator, Charging System Indicator

---

## Low Oil Pressure Indicator



This indicator should never come on when the engine is running. If it starts flashing or stays on, the oil pressure has dropped very low or lost pressure. Serious engine damage is possible, and you should take immediate action.

### NOTICE

*Running the engine with low oil pressure can cause serious mechanical damage almost immediately. Turn off the engine as soon as you can safely get the vehicle stopped.*

1. Safely pull off the road, and shut off the engine. Turn on the hazard warning indicators.
2. Let the vehicle sit for a minute. Open the hood, and check the oil level (see page [182](#)). An engine very low on oil can lose pressure during cornering and other driving maneuvers.
3. If necessary, add oil to bring the level back to the full mark on the dipstick (see page [246](#)).
4. Start the engine, and watch the oil pressure indicator. If it does not go out within 10 seconds, turn off the engine. There is a mechanical problem that needs to be repaired before you can continue driving (see **Emergency Towing** on page [296](#)).

## Charging System Indicator



If the charging system indicator comes on brightly when the engine is running, the battery is not being charged.

Immediately turn off all electrical accessories. Try not to use other electrically operated controls such as the power windows. Keep the engine running; starting the engine will discharge the battery rapidly.

Go to a service station or garage where you can get technical assistance.





If this indicator comes on while driving, it means one of the engine's emissions control systems may have a problem. Even though you may feel no difference in your vehicle's performance, it can reduce your fuel economy and cause increased emissions. Continued operation may cause serious damage.

If you have recently refueled your vehicle, the indicator could come on due to a loose or missing fuel fill cap. You will also see a "TIGHTEN FUEL CAP" message on the information display. Tighten the cap until it clicks at least once. Tightening the cap will not turn the indicator turn off immediately; it can take several days of normal driving.

If the indicator comes on repeatedly, even though it may turn off as you continue driving, have the vehicle checked by your dealer as soon as possible.

## NOTICE

*If you keep driving with the malfunction indicator lamp on, you can damage your vehicle's emissions controls and engine. Those repairs may not be covered by your vehicle's warranties.*

The indicator may also come on with the "D" indicator.

## Readiness Codes

Your vehicle has certain "readiness codes" that are part of the on-board diagnostics for the emissions systems. In some states, part of the emissions testing is to make sure these codes are set. If they are not set, the test cannot be completed.

If the battery in your vehicle has been disconnected or gone dead, these codes are erased. It can take several days of driving under various conditions to set the codes again.

To check if they are set, turn the ignition switch to the ON (II) position, without starting the engine. The malfunction indicator lamp will come on for 20 seconds. If it then goes off, the readiness codes are set. If it blinks five times, the readiness codes are not set. If possible, do not take your vehicle for a state emissions test until the readiness codes are set. Refer to **State Emissions Testing** for more information (see page 310).

# Brake System Indicator

---

**U.S.**



**Canada**



The brake system indicator normally comes on when

you turn the ignition switch to the ON (II) position, and as a reminder to check the parking brake. It will stay on if you do not fully release the parking brake.

If the brake system indicator comes on while driving, the brake fluid level is probably low. Press lightly on the brake pedal to see if it feels normal. If it does, check the brake fluid level the next time you stop at a service station (see page [253](#) ).

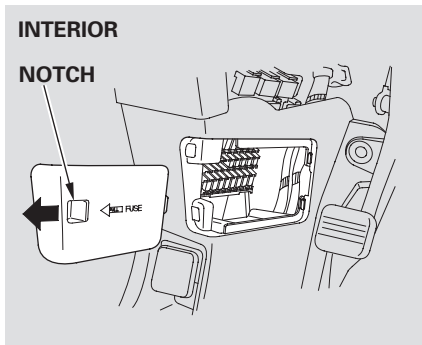
If the fluid level is low, take your vehicle to a dealer, and have the brake system inspected for leaks or worn brake pads.

However, if the brake pedal does not feel normal, you should take immediate action. A problem in one part of the system's dual circuit design will still give you braking at two wheels. You will feel the brake pedal go down much farther before the vehicle begins to slow down, and you will have to press harder on the pedal.

Slow down by shifting to a lower gear, and pull to the side of the road when it is safe. Because of the long distance needed to stop, it is hazardous to drive the vehicle. You should have it towed, and repaired as soon as possible. (See **Emergency Towing** on page [296](#) .)

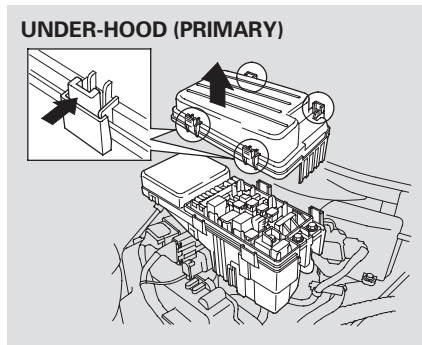
If you must drive the vehicle a short distance in this condition, drive slowly and carefully.

If the ABS indicator and the VSA system indicator come on with the brake system indicator, have your vehicle inspected by your dealer immediately.

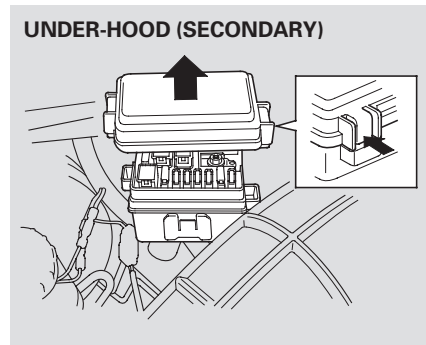


The vehicle's fuses are contained in three fuse boxes.

The interior fuse box is on the driver's lower left side. To remove the fuse box lid, put your finger in the notch on the lid, and pull it outward slightly, then pull it toward you and take it out of its hinges.



The primary under-hood fuse box is on the passenger's side. The secondary fuse box is next to the brake fluid reservoir. To open them, push the tabs as shown.

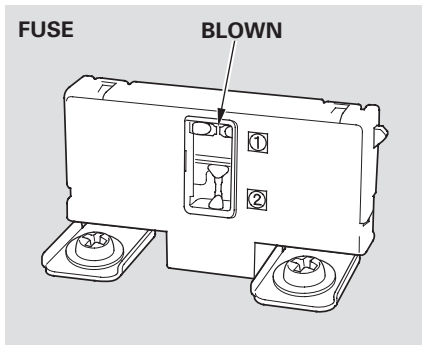


### Checking and Replacing Fuses

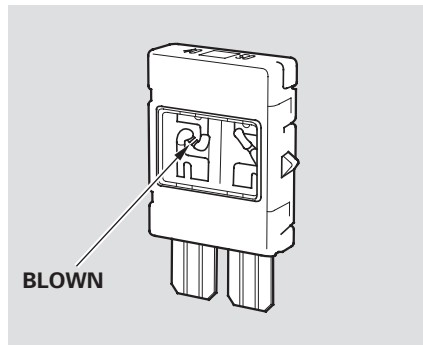
If something electrical in your vehicle stops working, check for a blown fuse first. Determine from the chart on pages 294 and 295, or the diagram on the fuse box lid, which fuse or fuses control that device. Check those fuses first, but check all the fuses before deciding that a blown fuse is the cause. Replace any blown fuses, and check if the device works.

*CONTINUED*

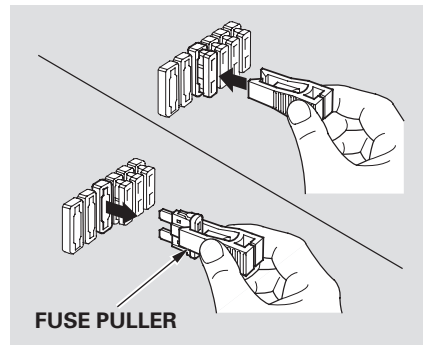
# Fuses



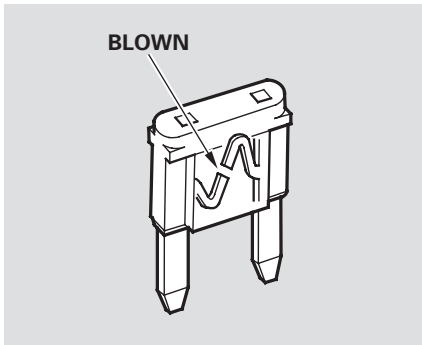
1. Turn the ignition switch to the LOCK (0) position. Make sure the headlights and all other accessories are off.
- 2 Remove the cover from the fuse box.



3. Check each of the large fuses in the primary under-hood fuse box by looking through the side window at the wire inside. Removing these fuses requires a Phillips-head screwdriver.



4. Check the smaller fuses in the under-hood fuse boxes and all the fuses in the interior fuse box by pulling out each one with the fuse puller provided in the primary under-hood fuse box.



5. Look for a blown wire inside the fuse. If it is blown, replace the fuse with one of the spare fuses of the same rating or lower.

If you cannot drive the vehicle without fixing the problem, and you do not have a spare fuse, take a fuse of the same rating or a lower rating from one of the other circuits. Make sure you can do without that circuit temporarily (such as the accessory power socket or radio).

If you replace the blown fuse with a spare fuse that has a lower rating, it might blow out again. This does not indicate anything wrong. Replace the fuse with one of the correct rating as soon as you can.

#### NOTICE

*Replacing a fuse with one that has a higher rating greatly increases the chances of damaging the electrical system. If you do not have a replacement fuse with the proper rating for the circuit, install one with a lower rating.*

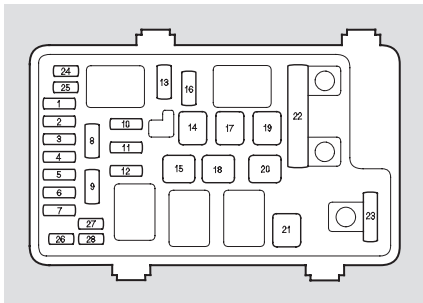
6. If the replacement fuse of the same rating blows in a short time, there is probably a serious electrical problem in your vehicle. Leave the blown fuse in that circuit and have your vehicle checked by a qualified technician.

If the driver's power window fuse is removed, the AUTO function of the driver's window will be disabled. To reset the AUTO function, see page [106](#).

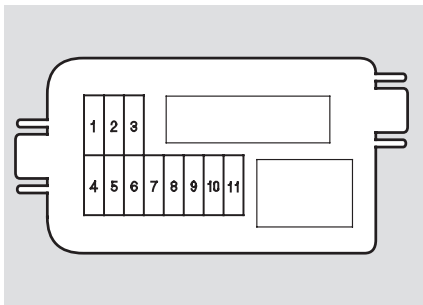
If the radio fuse is removed, the audio system will disable itself. The next time you turn on the radio you will see "CODE" in the frequency display. Use the preset bars to enter the code (see page [162](#)).

# Fuse Locations

## PRIMARY UNDER-HOOD FUSE BOX



## SECONDARY UNDER-HOOD FUSE BOX



No.	Amps.	Circuits Protected
1	10 A	Left Headlight Low Beam
2	—	Not Used
3	10 A	Left Headlight High Beam
4	15 A	Small Lights
5	10 A	Right Headlight High Beam
6	10 A	Right Headlight Low Beam
7	7.5 A	Back Up
8	15 A	FI ECU (PCM)
9	15 A	DBW
10	—	Not Used
11	15 A	Heated Seat*
12	7.5 A	MG Clutch

No.	Amps.	Circuits Protected
1	(7.5 A)	Back Light*
2	20 A	VSA FSR
3	40 A	VSA MTR
4	20 A	VTM-4
5	15 A	Front Accessory Sockets
6	(20 A)	Electric Brake*

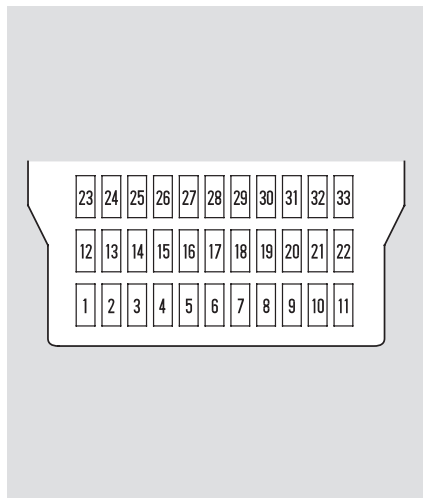
No.	Amps.	Circuits Protected
13	20 A	Horn, Stop
14	20 A	Defroster
15	40 A	Back Up, ACC
16	15 A	Hazard
17	40 A	Option 1
18	—	Not Used
19	30 A	Cooling Fan
20	30 A	Condenser Fan
21	40 A	Heater Motor
22	40 A	Seat
	120 A	Battery
23	50 A	+B IGI Main
	50 A	Power Window
24-28	—	Spare Fuses

\* : If equipped

No.	Amps.	Circuits Protected
7	(20 A)	Small Lights*
8	(7.5 A)	Stop/Turn Lights*
9	(20 A)	Charge*
10	7.5 A	TPMS
11	(20 A)	Moonroof*

\* : If equipped

## INTERIOR FUSE BOX



No.	Amps.	Circuits Protected
1	7.5 A	Bed Lights
2	15 A	IG Coil
3	(10 A)	Daytime Running Light*
4	15 A	LAF
5	20 A	Radio
6	10 A	Interior Lights
7	7.5 A	Back Up
8	20 A	Door Lock
9	10 A	Rear Accessory Socket
10	7.5 A	OPDS
11	30 A	IG, Wiper
12	—	Not Used
13	(10 A)	Driver's Power Seat Lumbar**
14	(20 A)	Driver's Power Seat Sliding**
15	—	Not Used
16	(20 A)	Driver's Power Seat Reclining**
17	—	Not Used

\* : Canadian models

\*\* : If equipped

No.	Amps.	Circuits Protected
18	15 A	IG ACG
19	15 A	IG Fuel Pump
20	7.5 A	IG Washer
21	7.5 A	IG Meter
22	10 A	IG SRS
23	7.5 A	IGP
24	20 A	Left Rear Window
25	20 A	Right Rear Window
26	20 A	Passenger's Window
27	20 A	Back Window
28	20 A	Driver's Window
29	—	Not Used
30	7.5 A	IG HAC
31	7.5 A	IG VSA/ABS
32	7.5 A	ACC
33	(7.5 A)	Not Used

## Emergency Towing

---

If your vehicle needs to be towed, call a professional towing service or organization. Never tow your vehicle with just a rope or chain. It is very dangerous.

**The only way you can safely tow your vehicle is with flat-bed equipment.** The operator will load your vehicle on the back of a truck. Any other method of towing will damage the drive system. When you contact the towing agency, inform them a flat-bed is required.

### NOTICE

*Towing your vehicle with two tires on the ground will damage parts of the 4WD system. It should be transported on a flat-bed truck or trailer.*

If, due to damage, your vehicle must be towed with all four wheels on the ground, do the following:

- Release the parking brake.
- Start the engine.
- Shift to D for several seconds, then to N.
- Turn off the engine.

### NOTICE

*Improper towing preparation will damage the transmission. Follow the above procedure exactly. If you cannot shift the transmission or start the engine, your vehicle must be transported with the all four wheels off the ground.*

With all four wheels on the ground, it is best to tow the vehicle no farther than 50 miles (80 km), and keep the speed below 35 mph (55 km/h).

### NOTICE

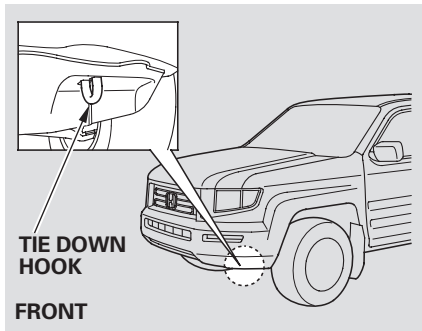
*The steering system can be damaged if the steering wheel is locked. Leave the ignition switch in the ACCESSORY (I) position, and make sure the steering wheel turns freely before you begin towing.*

### NOTICE

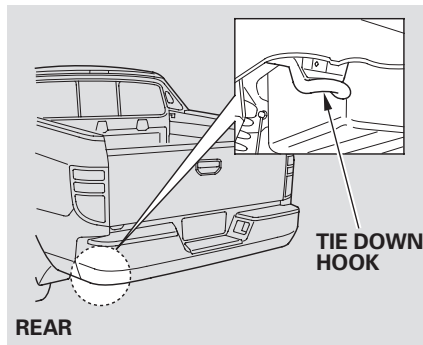
*Trying to lift or tow your vehicle by the bumpers will cause serious damage. The bumpers are not designed to support the vehicle's weight.*



If your vehicle gets stuck in sand, mud, or snow, call a towing service to pull it out (see the previous page).



For very short distances, such as freeing the vehicle, you can use the tie down hooks on the lower left of the front and rear bumpers.



## NOTICE

*“Rocking” your vehicle between forward and reverse gear or revving up the engine and allowing the wheels to spin freely at high speeds can damage the automatic transmission. Use a tow service to prevent transmission damage.*

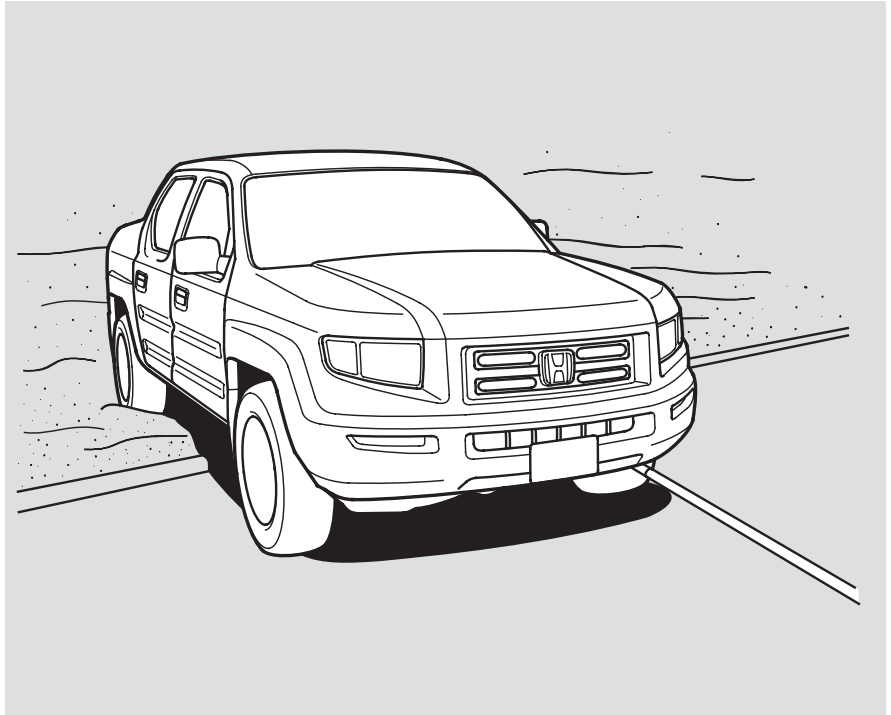
CONTINUED

# If Your Vehicle Gets Stuck

---

## NOTICE

*To avoid damage to your vehicle, use the tie down hooks for straight, flat ground towing only. Do not tow at an angle. These hooks should not be used for open-road towing.*



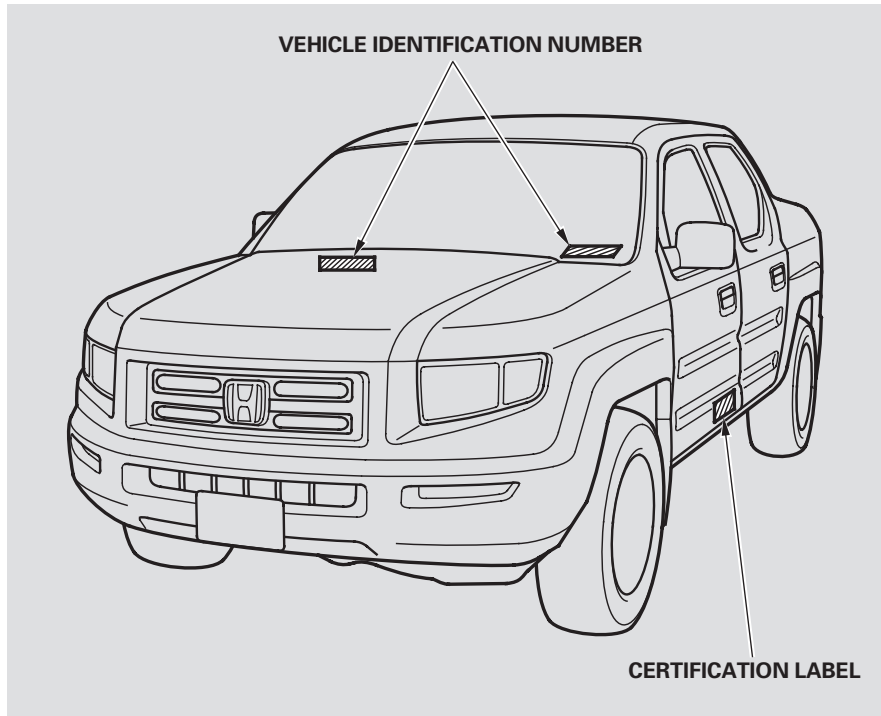
The diagrams in this section give you the dimensions and capacities of your vehicle and the locations of the identification numbers. It also includes information you should know about your vehicle's tires and emissions control systems.

Identification Numbers .....	300	Emissions Controls.....	307
Specifications .....	302	The Clean Air Act.....	307
DOT Tire Quality Grading (U.S. Vehicles) .....	304	Crankcase Emissions Control System.....	307
Uniform Tire Quality Grading .....	304	Evaporative Emissions Control System.....	307
Treadwear .....	304	Onboard Refueling Vapor Recovery .....	307
Traction.....	304	Exhaust Emissions Controls ...	308
Temperature .....	305	PGM-FI System .....	308
Tire Labeling .....	306	Ignition Timing Control System.....	308
		Exhaust Gas Recirculation (EGR) System.....	308
		Three Way Catalytic Converter.....	308
		Replacement Parts.....	308
		Three Way Catalytic Converter...	309
		State Emissions Testing .....	310

## Identification Numbers

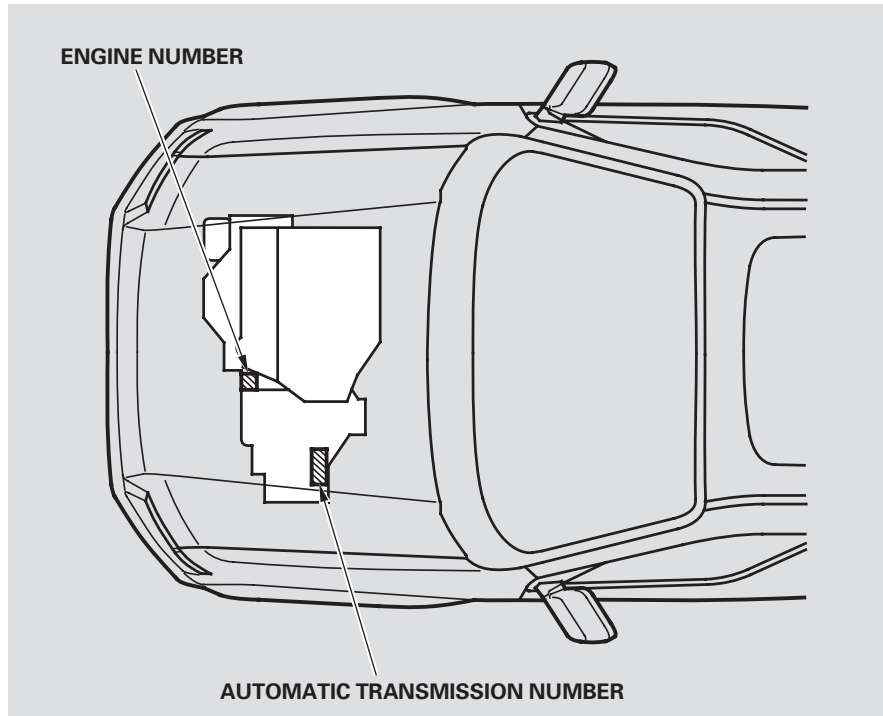
Your vehicle has several identifying numbers in various places.

The vehicle identification number (VIN) is the 17-digit number your dealer uses to register your vehicle for warranty purposes. It is also necessary for licensing and insuring your vehicle. The easiest place to find the VIN is on a plate fastened to the top of the dashboard. You can see it by looking through the windshield on the driver's side. It is also on the certification label attached to the driver's doorjamb, and is stamped on the engine compartment bulkhead. The VIN is also provided in bar code on the certification label.



The engine number is stamped into the engine block. It is on the front.

The transmission number is on a label on top of the transmission.



# Specifications

## Dimensions

Length	206.7 in (5,250 mm)	
Width	78.0 in (1,980 mm)	
Height	70.3 in (1,785 mm)	
Wheelbase	122.0 in (3,100 mm)	
Track	Front	67.1 in (1,705 mm)
	Rear	66.9 in (1,700 mm)

## Weights

Gross vehicle weight rating	See the tire information label attached to the driver's doorjamb.
Gross combined weight <sup>*1</sup> rating (GCWR)	10,088 lbs (4,575 kg)
Maximum load limit (Payload)	1,530 lbs (690 kg) <sup>*2</sup>
	1,480 lbs (670 kg) <sup>*3</sup>

\*1 : The GCWR must be reduced 2 percent for every 1,000 feet (305 meters) of elevation.

\*2 : On vehicles without moonroof or navigation system

\*3 : On vehicles with moonroof and navigation system

## Air Conditioning

Refrigerant type	HFC-134a (R-134a)
Charge quantity	21.2 – 22.9 oz (600 – 650 g)
Lubricant type	ND-OIL8

## Capacities

Fuel tank		Approx. 22.01 US gal (83.3 ℓ)
Engine coolant	Change <sup>*1</sup>	1.64 US gal (6.2 ℓ)
	Total	2.14 US gal (8.1 ℓ)
Engine oil	Change <sup>*2</sup>	
	Including filter	4.5 US qt (4.3 ℓ)
	Without filter	4.2 US qt (4.0 ℓ)
	Total	5.3 US qt (5.0 ℓ)
Automatic transmission fluid	Change	3.3 US qt (3.1 ℓ)
	Total	8.5 US qt (8.0 ℓ)
Rear differential fluid	Change	2.79 US qt (2.64 ℓ)
	Total	3.01 US qt (2.85 ℓ)
Transfer assembly fluid	Change	0.45 US qt (0.43 ℓ)
	Total	0.48 US qt (0.45 ℓ)
Windshield washer reservoir		4.8 US qt (4.5 ℓ)

\*1 : Including the coolant in the reserve tank and that remaining in the engine

Reserve tank capacity:  
0.16 US gal (0.6 ℓ)

\*2 : Excluding the oil remaining in the engine

## Lights

Headlights	High/Low	12 V – 60/55 W (HB2)
Front turn signal/Parking/ Hazard lights		12 V – 28/8 W
Rear turn signal/hazard lights		12 V – 21 W
Brake/Taillights		12 V – 21/5 W
Back-up lights		12 V – 18 W
License plate lights		12 V – 3 CP
High-mount brake lights		12 V – 3 CP
Individual map lights	Front	12 V – 8 W
	Rear	12 V – 5 W
Bed lights		12 V – 3 CP
Console compartment light		12 V – 1.4 W
Glove box light		12 V – 3.4 W
Vanity mirror light		12 V – 2 W
Door courtesy lights		12 V – 3.8 W

## Battery

Capacity	12 V – 72 AH/20 HR
	12 V – 60 AH/5 HR

## Fuses

Interior	See page 295 or the fuse label attached to the inside of the fuse box lid under the dashboard.
Under-hood	See page 294 or the fuse box lid.

## Engine

Type	Water cooled 4-stroke SOHC VTEC, V6 gasoline engine
Bore x Stroke	3.50 x 3.66 in (89.0 x 93.0 mm)
Displacement	211.8 cu-in (3,471 cm <sup>3</sup> )
Compression ratio	10.0 : 1
Spark plugs	NGK: IZFR5K-11 DENSO: SKJ16DR-M11

## Alignment

Toe-in	Front	0.00 in (0.0 mm)
	Rear	0.00 in (0.0 mm)
Camber	Front	–0°50'
	Rear	–0°50'
Caster	Front	1°53'

## Tires

Size	Front/Rear	P245/65R17 105S
	Spare	T165/90R17 105M
Pressure	Front/Rear	32 psi (220 kPa , 2.2 kgf/cm <sup>2</sup> )
	Spare	60 psi (420 kPa , 4.2 kgf/cm <sup>2</sup> )

## DOT Tire Quality Grading (U.S. Vehicles)

---

The tires on your vehicle meet all U.S. Federal Safety Requirements. All tires are also graded for treadwear, traction, and temperature performance according to Department of Transportation (DOT) standards. The following explains these gradings.

### **Uniform Tire Quality Grading**

Quality grades can be found where applicable on the tire sidewall between the tread shoulder and the maximum section width. For example:

**Treadwear 200**  
**Traction AA**  
**Temperature A**

All passenger car tires must conform to Federal Safety Requirements in addition to these grades.

### **Treadwear**

The treadwear grade is a comparative rating based on the wear rate of the tire when tested under controlled conditions on a specified government test course. For example, a tire graded 150 would wear one and one-half (1 1/2) times as well on the government course as a tire graded 100. The relative performance of tires depends upon the actual conditions of their use, however, and may depart significantly from the norm due to variations in driving habits, service practices, and differences in road characteristics and climate.

### **Traction – AA, A, B, C**

The traction grades, from highest to lowest, are AA, A, B, and C. Those grades represent the tire's ability to stop on wet pavement as measured under controlled conditions on specified government test surfaces of asphalt and concrete. A tire marked C may have poor traction performance.

**Warning:** The traction grade assigned to this tire is based on straight-ahead braking traction tests, and does not include acceleration, cornering, hydroplaning, or peak traction characteristics.



### **Temperature – A, B, C**

The temperature grades are A (the highest), B, and C, representing the tire's resistance to the generation of heat, and its ability to dissipate heat when tested under controlled conditions on a specified indoor laboratory test wheel. Sustained high temperature can cause the material of the tire to degenerate and reduce tire life, and excessive temperature can lead to sudden tire failure. The Grade C corresponds to a level of performance which all passenger car tires must meet under the Federal Motor Vehicle Safety Standard No. 109. Grades B and A represent higher levels of performance on the laboratory test wheel than the minimum required by law.

Warning: The temperature grade for this tire is established for a tire that is properly inflated and not overloaded. Excessive speed, underinflation, or excessive loading, either separately or in combination, can cause heat buildup and possible tire failure.

# Tire Labeling

---

The tires that came on your vehicle have a number of markings. Those you should be aware of are described below.

## ***Tire Size***

Whenever tires are replaced, they should be replaced with tires of the same size. Below is an example of tire size with an explanation of what each component means.

P245/65R17 105S

P — Vehicle type (P indicates passenger vehicle).

245 — Tire width in millimeters.

65 — Aspect ratio (the tire's section height as a percentage of its width).

R — Tire construction code (R indicates radial).

17 — Rim diameter in inches.

105 — Load index (a numerical code associated with the maximum load the tire can carry).

S — Speed symbol (an alphabetical code indicating the maximum speed rating).

## ***Tire Identification Number***

The tire identification number (TIN) is a group of numbers and letters that look like the following example TIN. TIN is located on the sidewall of the tire.

DOT B97R FW6X 2202

DOT — This indicates that the tire meets all requirements of the U.S. Department of Transportation.

B97R — Manufacturer's identification mark.

FW6X — Tire type code.

2202 — Date of manufacture.

## ***Maximum Tire Pressure***

Max Press — The maximum air pressure the tire can hold.

## ***Maximum Tire Load***

Max Load — The maximum load the tire can carry at maximum air pressure.

The burning of gasoline in your vehicle's engine produces several by-products. Some of these are carbon monoxide (CO), oxides of nitrogen (NO<sub>x</sub>), and hydrocarbons (HC). Gasoline evaporating from the tank also produces hydrocarbons. Controlling the production of NO<sub>x</sub>, CO, and HC is important to the environment. Under certain conditions of sunlight and climate, NO<sub>x</sub> and HC react to form photochemical "smog." Carbon monoxide does not contribute to smog creation, but it is a poisonous gas.

## **The Clean Air Act**

The United States Clean Air Act\* sets standards for automobile emissions. It also requires that automobile manufacturers explain to owners how their emissions controls work and what to do to maintain them. This section summarizes how the emissions controls work.

\* In Canada, Honda vehicles comply with the Canadian emission requirements, as specified in an agreement with Environment Canada, at the time they are manufactured.

## **Crankcase Emissions Control System**

Your vehicle has a positive crankcase ventilation system. This keeps gasses that build up in the engine's crankcase from going into the atmosphere. The positive crankcase ventilation valve routes them from the crankcase back to the

intake manifold. They are then drawn into the engine and burned.

## **Evaporative Emissions Control System**

As gasoline evaporates in the fuel tank, an evaporative emissions control canister filled with charcoal adsorbs the vapor. It is stored in this canister while the engine is off. After the engine is started and warmed up, the vapor is drawn into the engine and burned during driving.

## **Onboard Refueling Vapor Recovery**

The onboard refueling vapor recovery (ORVR) system captures the fuel vapors during refueling. The vapors are adsorbed in a canister filled with activated carbon. While driving, the fuel vapors are drawn into the engine and burned off.

# Emissions Controls

---

## **Exhaust Emissions Controls**

The exhaust emissions controls include four systems: PGM-FI, ignition timing control, exhaust gas recirculation, and three way catalytic converter. These four systems work together to control the engine's combustion and minimize the amount of HC, CO, and NOx that come out the tailpipe. The exhaust emissions control systems are separate from the crankcase and evaporative emissions control systems.

### ***PGM-FI System***

The PGM-FI system uses sequential multiport fuel injection. It has three subsystems: air intake, engine control, and fuel control. The powertrain control module (PCM) uses various sensors to determine how much air is going into the engine. It then controls how much fuel to inject under all operating conditions.

### ***Ignition Timing Control System***

This system constantly adjusts the ignition timing, reducing the amount of HC, CO, and NOx produced.

### ***Exhaust Gas Recirculation (EGR) System***

The exhaust gas recirculation (EGR) system takes some of the exhaust gas and routes it back into the intake manifold. Adding exhaust gas to the air/fuel mixture reduces the amount of NOx produced when the fuel is burned.

### ***Three Way Catalytic Converter***

The three way catalytic converter is in the exhaust system. Through chemical reactions, it converts HC, CO, and NOx in the engine's exhaust to carbon dioxide (CO<sub>2</sub>), nitrogen (N<sub>2</sub>), and water vapor.

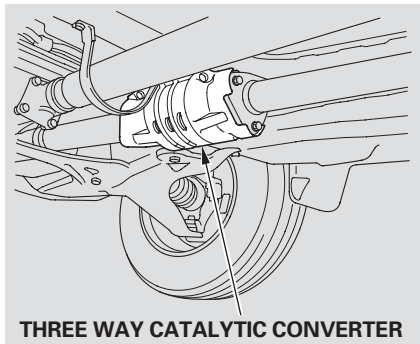
## **Replacement Parts**

The emissions control systems are designed and certified to work together in reducing emissions to levels that comply with the Clean Air Act. To make sure the emissions remain low, you should use only new Honda replacement parts or their equivalent for repairs. Using lower quality parts may increase the emissions from your vehicle.

The emissions control systems are covered by warranties separate from the rest of your vehicle. Read your warranty manual for more information.

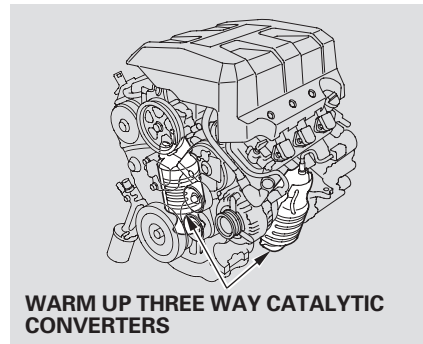
The three way catalytic converter contains precious metals that serve as catalysts, promoting chemical reactions to convert the exhaust gasses without affecting the metals. The catalytic converter is referred to as a three-way catalyst, since it acts on HC, CO, and NOx. A replacement unit must be an original Honda part or its equivalent.

The three way catalytic converter must operate at a high temperature for the chemical reactions to take place. It can set on fire any combustible materials that come near it. Park your vehicle away from high grass, dry leaves, or other flammables.



A defective three way catalytic converter contributes to air pollution, and can impair your engine's performance. Follow these guidelines to protect your vehicle's three way catalytic converter.

- Always use unleaded gasoline. Even a small amount of leaded gasoline can contaminate the catalyst metals, making the three way catalytic converter ineffective.



## WARM UP THREE WAY CATALYTIC CONVERTERS

- Keep the engine well maintained.
- Have your vehicle diagnosed and repaired if it is misfiring, backfiring, stalling, or otherwise not running properly.

# State Emissions Testing

---

## Testing of Readiness Codes

If you take your vehicle for a state emissions test shortly after the battery has been disconnected or gone dead, it may not pass the test. This is because of certain “readiness codes” that must be set in the on-board diagnostics for the emissions systems. These codes are erased when the battery is disconnected, and set again only after several days of driving under a variety of conditions.

If the testing facility determines that the readiness codes are not set, you will be requested to return at a later date to complete the test. If you must get the vehicle retested within the next two or three days, you can condition the vehicle for retesting by doing the following.

- Make sure the gas tank is nearly, but not completely, full (around 3/4).

- Make sure the vehicle has been parked with the engine off for 6 hours or more.
- Make sure the ambient temperature is between 40° and 95° F.
- Without touching the accelerator pedal, start the engine, and let it idle for 20 seconds.
- Keep the vehicle in Park. Increase the engine speed to 2,000 rpm, and hold it there until the temperature gauge rises to at least 1/4 of the scale (about 3 minutes).
- Select a nearby lightly traveled major highway where you can maintain a speed of 50 to 60 mph (80 to 97 km/h) for at least 20 minutes. Drive on the highway in D. Do not use the cruise control. When traffic allows, drive for 90 seconds without moving the

accelerator pedal. (Vehicle speed may vary slightly; this is okay.) If you cannot do this for a continuous 90 seconds because of traffic conditions, drive for at least 30 seconds, then repeat it two more times (for a total of 90 seconds).

- Then drive in city/suburban traffic for at least 10 minutes. When traffic conditions allow, let the vehicle coast for several seconds without using the accelerator pedal or the brake pedal.
- Stop the vehicle, turn off the ignition switch, and leave it off for 30 minutes.

If the testing facility determines the readiness codes are still not set, see your dealer.

Customer Service	
Information.....	312
Warranty Coverages .....	313
Reporting Safety Defects	
(U.S. Vehicles) .....	314
Authorized Manuals.....	315

## Customer Service Information

---

Honda dealership personnel are trained professionals. They should be able to answer all your questions. If you encounter a problem that your dealership does not solve to your satisfaction, please discuss it with the dealership's management. The service manager or general manager can help. Almost all problems are solved in this way.

If you are dissatisfied with the decision made by the dealership's management, contact your Honda Customer Service Office.

### U.S. Owners:

American Honda Motor Co., Inc.  
Automobile Customer Service  
Mail Stop 500-2N-7A  
1919 Torrance Boulevard  
Torrance, California 90501-2746

Tel: (800) 999-1009

### Canadian Owners: **CUSTOMER RELATIONS RELATIONS AVEC LA CLIENTÉLE**

Honda Canada Inc.  
715 Milner Avenue  
Toronto, ON  
M1B 2K8

Tel: 1-888-9-HONDA-9  
Fax: Toll-free 1-877-939-0909  
Toronto (416) 287-4776

### In Puerto Rico and the U.S. Virgin Islands:

Bella International  
P.O. Box 190816  
San Juan, PR 00919-0816

Tel: (787) 620-7098

When you call or write, please give us this information:

- Vehicle identification number (see page [300](#) )
- Name and address of the dealer who services your vehicle
- Date of purchase
- Mileage on your vehicle
- Your name, address, and telephone number
- A detailed description of the problem
- Name of the dealer who sold the vehicle to you



## U.S. Owners

Your new vehicle is covered by these warranties:

***New Vehicle Limited Warranty*** — covers your new vehicle, except for the battery, emissions control systems, and accessories, against defects in materials and workmanship.

### ***Emissions Control Systems Defects Warranty and Emissions***

***Performance Warranty*** — these two warranties cover your vehicle's emissions control systems. Time, mileage, and coverage are conditional. Please read your warranty booklet for exact information.

***Original Equipment Battery Limited Warranty*** — this warranty gives up to 100 % credit toward a replacement battery.

***Seat Belt Limited Warranty*** — a seat belt that fails to function properly is covered by a limited warranty. Please read your warranty booklet for details.

***Rust Perforation Limited Warranty*** — all exterior body panels are covered for rust-through from the inside for the specified time period with no mileage limit.

***Accessory Limited Warranty*** — Honda accessories are covered under this warranty. Time and mileage limits depend on the type of accessory and other factors. Please read your warranty booklet for details.

***Replacement Parts Limited Warranty*** — covers all Honda replacement parts against defects in materials and workmanship.

***Replacement Battery Limited Warranty*** — provides prorated coverage for a replacement battery purchased from your dealer.

***Replacement Muffler Lifetime Limited Warranty*** — provides coverage for as long as the purchaser of the muffler owns the vehicle.

Restrictions and exclusions apply to all these warranties. Please read the 2007 Honda warranty information booklet that came with your vehicle for precise information on warranty coverages. Your vehicle's original tires are covered by their manufacturer. Tire warranty information is in a separate booklet.

## Canadian Owners

Please refer to the 2007 warranty manual that came with your vehicle.

## Reporting Safety Defects (U.S. Vehicles)

---

If you believe that your vehicle has a defect which could cause a crash or could cause injury or death, you should immediately inform the National Highway Traffic Safety Administration (NHTSA), in addition to notifying American Honda Motor Co., Inc.

If NHTSA receives similar complaints, it may open an investigation, and if it finds that a safety defect exists in a group of vehicles, it may order a recall and remedy campaign. However, NHTSA cannot become involved in individual problems between you, your dealer, or American Honda Motor Co., Inc.

To contact NHTSA, you may call the Vehicle Safety Hotline toll-free at 1-888-327-4236 (TTY:1-800-424-9153); go to <http://www.safercar.gov>; or write to: Administrator, NHTSA, 400 Seventh Street, SW., Washington, DC 20590. You can also obtain other information about motor vehicle safety from <http://www.safercar.gov>.

## Purchasing Factory Authorized Manuals (U.S. only)

The publications shown below can be purchased from Helm Incorporated. You can order in any of three ways:

- Detach and mail the order form on the right half of this page
- Call Helm Inc. at 1-800-782-4356 (credit card orders only)
- Go online at [www.helminc.com](http://www.helminc.com)

If you are interested in other years or models, contact Helm Inc. at 1-800-782-4356.

Publication Form Number	Form Description	Price Each*
61SJC01	2006-07 Honda Ridgeline Service Manual Base Book	\$70.00
61SJC01EL	2006-07 Honda Ridgeline Electrical Troubleshooting Manual	\$50.00
61SJC30	2006-07 Honda Ridgeline Body Repair Manual	\$44.00
31SJC611	2007 Honda Ridgeline Owner's Manual	\$34.00
31SJC800	2007 Honda Ridgeline Navigation Manual	\$29.00
31SJCQ10	2007 Honda Ridgeline Quick Start Guide	\$12.00
31SJCM10	2007 Ridgeline Honda Service History	\$12.00
HON-R	Order Form for Previous Years- Indicate Year and Model Desired	FREE

\* Prices are subject to change without notice and without incurring obligation.

*Valid only for sales within the United States. Canadian owners should contact their authorized Honda dealer.*

**ORDER TOLL FREE: 1-800-782-4356**

**(NOTE: For Credit Card Holder Orders Only)**

Monday-Friday 8:00 A.M. — 6:00 P.M. EST

**MINIMUM CREDIT CARD PURCHASE \$10.00**

**OR**

By completing this form you can order the materials desired. You can pay by check or money order, or charge to your credit card. Mail to Helm Incorporated at the address shown on the back of the order form.

2007 HON	PUBLICATION NUMBER	VEHICLE MODEL		Qty	Price Each*	Total Price
		Name	Year			
* Prices are subject to change without notice and without incurring obligation.					TOTAL MATERIAL	
					Mich. Purchases Add 6% Sales Tax	
Orders are mailed within 10 days. Please allow adequate time for delivery.					HANDLING CHARGE \$6.95	
					GRAND TOTAL	



**A**

Accessories and Modifications ....	184
ACCESSORY (Ignition Key Position) .....	82
Accessory Power Sockets.....	116
Additives, Engine Oil.....	247
Adjusting the Steering wheel.....	79
Advanced Airbags.....	25
Airbag (SRS) .....	9
Air Conditioning System.....	122
Usage .....	123
Air Outlets (Vents).....	124, 129
Air Pressure, Tires .....	266
Antifreeze .....	249
Anti-lock Brakes (ABS) Indicator.....	63, 208
Operation .....	208
Anti-theft, Audio System.....	162
Anti-theft Steering Column Lock ..	82
Armrests .....	101
Audio System .....	133, 142, 159
Auto Door Locking/Unlocking.....	84
Automatic Heated Wiper Zone.....	76, 127
Automatic Seat Belt Tensioners ....	19

Automatic Speed Control.....	165
Automatic Transmission.....	197
Capacity, Fluid .....	302
Checking Fluid Level.....	251
Shifting.....	197
Shift Lever Position Indicators.....	197
Shift Lever Positions .....	198
Shift Lock Release.....	202
Auxiliary Input Jack.....	161

**B**

Back Window Indicator.....	69
Operation.....	105
Battery Charging System Indicator.....	62, 288
Jump Starting .....	284
Maintenance.....	270
Specifications .....	303
Bed Lights Indicator.....	69
Operation .....	120
Before Driving .....	177

Belts, Seat .....	8, 19
Beverage Holders .....	114
Booster Seats .....	50
Brakes Anti-lock System (ABS) .....	208
Break-in, New Linings .....	178
Fluid .....	253
Bulb Replacement .....	257, 258
Parking.....	109
System Indicator.....	63, 290
Wear Indicators .....	207
Braking System.....	207
Break-in, New Vehicle .....	178
Brightness Control, Instruments...	78
Brights, Headlights .....	76

CONTINUED

# Index

---

Bulb Replacement	
Back-up Lights .....	257
Brake Lights.....	257
Bed Lights .....	260
Front Turn Signal /Parking/ Hazard Lights .....	256
Headlights .....	255
High-mount Brake Light .....	258
License Plate Lights.....	259
Rear Bulbs (Brake/Taillights, Turn Signal/Hazard Lights, Back-up Lights) .....	257
Specifications .....	303
Bulbs, Halogen.....	255

## C

Capacities Chart.....	302
Carbon Monoxide Hazard .....	53
Cargo Hooks .....	97, 114
Carrying Cargo .....	186
CAUTION, Explanation of .....	iii
CD Care .....	161
CD Changer .....	152, 153
CD Player/Changer Error Messages.....	162

CD Player.....	151
Certification Label.....	300
Chains, tire .....	269
Change Oil How to.....	247
When to.....	235
Changing a Flat Tire .....	275
Charging System Indicator ....	62, 288
Checklist, Before Driving.....	195
Childproof Door Locks .....	84
Child Safety .....	32
Booster Seats .....	50
Child Seats.....	39
Important Safety Reminders.....	32
Infants .....	37
Larger Children .....	49
LATCH.....	41
Risks with Airbags.....	33
Small Children.....	38
Tether .....	41, 46
Where Should a Child Sit? .....	33
Child Seats.....	39
LATCH.....	41
Tether Anchorage Points .....	46
Climate Control System.....	122
Clock .....	163

Coat Hooks.....	115
Code, Audio System .....	162
CO in the Exhaust .....	307
Compact Spare Tire.....	274
Compass.....	168
Console Compartment .....	113
Consumer Information.....	312
Controls, Instruments and.....	57
Coolant Adding.....	249
Checking.....	182
Proper Solution .....	249
Temperature Gauge.....	72
Courtesy Light .....	118
Crankcase Emissions Control System.....	307
Cruise Control Indicator.....	65
Operation .....	165
Cup Holders.....	114
Customer Service Office .....	312

## D

DANGER, Explanation of.....	iii
Dashboard .....	3, 58

- Daytime Running Lights..... 78  
 Dead Battery ..... 284  
 Defects, Reporting Safety\* ..... 314  
 Defrosting the Windows..... 127  
 Differential Fluid, Rear ..... 252  
 Dimensions..... 302  
 Dimming the Headlights ..... 76  
 Dipstick  
   Automatic Transmission..... 251  
   Engine Oil..... 182  
 Directional Signals..... 76  
 Disc Brake Wear Indicators..... 207  
 Disposal of Used Oil..... 248  
 Door and Tailgate Open Monitor .. 64  
 Doors  
   Locking and Unlocking... 83, 84, 86  
   Lockout Prevention ..... 83  
   Power Door Locks..... 83  
 DOT Tire Quality Grading\* ..... 304  
 Driver and Passenger Safety..... 5  
 Driving ..... 193  
   Economy ..... 183  
 D3 ..... 199  
 Dual-Action Tailgate  
   Indicator..... 64, 94  
   Operation..... 92  
 Dual Temperature Control..... 130  
 Dust and Pollen Filter ..... 262
- E**
- Economy, Fuel ..... 183  
 Emergencies..... 273  
   Battery, Jump Starting ..... 284  
   Brake System Indicator ..... 290  
   Changing a Flat Tire ..... 275  
   Charging System Indicator ..... 288  
   Checking the Fuses..... 291  
   Hazard Warning Flashers ..... 79  
   Low Oil Pressure Indicator ..... 288  
   Malfunction Indicator Lamp ... 289  
   Overheated Engine ..... 286  
   Stuck Vehicle ..... 297  
   Towing ..... 296  
 Emergency Brake..... 109  
 Emissions Controls..... 307  
 Engine  
   Coolant Temperature Gauge .... 72  
   Malfunction Indicator  
     Lamp ..... 62, 289  
   Oil Life Display ..... 235  
   Oil Pressure Indicator..... 62, 288  
 Oil, What Kind to Use ..... 246  
 Overheating..... 286  
 Specifications ..... 303  
 Speed Limiter ..... 201  
 Starting..... 196  
 Engine, if it won't start..... 283  
 Evaporative Emissions Control  
   System..... 307  
 Exhaust Fumes ..... 53  
 Exhaust Gas Recirculation  
   System..... 308  
 Expectant Mothers, Use of Seat  
   Belts by ..... 16
- F**
- Fan, Interior..... 123  
 Features ..... 121  
 Filling the Fuel Tank..... 179  
 Filters  
   Dust and Pollen..... 262  
   Oil ..... 248  
 Flashers, Hazard Warning..... 79  
 Flat Tire, Changing a ..... 275

CONTINUED

# Index

---

Floor Mats .....	261
Fluids	
Automatic Transmission.....	251
Brake.....	253
Power Steering.....	254
Rear Differential.....	252
Transfer Assembly.....	253
Windshield Washer .....	250
FM Stereo Radio	
Reception .....	140
Folding the Rear Seats.....	103
Four-way Flashers .....	79
Front Seat .....	98
Adjusting.....	98, 100
Airbags.....	23
Heaters.....	104
Fuel.....	178
Fill Door and Cap.....	179
Gauge .....	71
Octane Requirement.....	178
Oxygenated .....	178
Reserve Indicator.....	65
Tank, Filling the.....	179
Fuses, Checking the.....	291

## G

Gas Mileage, Improving.....	183
Gasoline	
Fuel Reserve Indicator.....	65
Gauge .....	71
Octane Requirement .....	178
Tank, Filling the.....	179
Gas Station Procedures.....	179
Gauges	
Engine Coolant Temperature ...	72
Fuel.....	71
Speedometer .....	70
Tachometer .....	70
GAWR (Gross Axle Weight Rating) .....	213
GCWR (Gross Combined Weight Rating) .....	213
Gearshift Lever Positions.....	198
Glove Box .....	115
GVWR (Gross Vehicle Weight Rating) .....	213

## H

Halogen Headlight Bulbs.....	255
------------------------------	-----

Hazard Warning Flashers.....	79
Headlights .....	75, 76
Aiming.....	255
Automatic Lighting Off.....	77
Control Dial .....	76
Daytime Running Lights** .....	78
High Beam Indicator .....	65
High Beams, Turning on .....	75, 76
Low Beams, Turning on .....	76
Reminder Chime.....	77
Replacing Halogen Bulbs .....	255
Turning On.....	76
Head Restraints .....	102
Heated Mirrors .....	111
Heaters, Seats .....	104
Heating and Cooling.....	123
High-Low Beam Switch .....	75
HomeLink Universal	
Transceiver.....	171
Hood, Opening the .....	181
Horn.....	74

## I

Identification Number, Vehicle....	300
------------------------------------	-----



- |   |     |   |          |
|---|-----|---|----------|
| Ignition                                  |     | Instrument Panel .....                    | 3, 58    |
| Keys.....                                 | 80  | Instrument Panel Brightness .....         | 78       |
| Switch.....                               | 82  | Interior Lights .....                     | 118      |
| Timing Control System.....                | 308 | Introduction.....                         | i        |
| Immobilizer System.....                   | 81  |   |          |
| Important Safety Precautions .....        | 6   | <b>J</b>                                  |          |
| In-Bed Trunk .....                        | 95  | Jacking Up the Vehicle .....              | 277      |
| Emergency Opener .....                    | 96  | Jack, Tire .....                          | 275      |
| Open Indicator .....                      | 69  | Jump Starting .....                       | 284      |
| Indicators, Instrument Panel.....         | 59  |   |          |
| ABS (Anti-lock Brake) .....               | 63  | <b>K</b>                                  |          |
| A/T Temperature.....                      | 66  | Keys.....                                 | 80       |
| Back Window Open.....                     | 69  |   |          |
| Bed Lights On.....                        | 69  | <b>L</b>                                  |          |
| Brake (Parking and Brake<br>System) ..... | 63  | Label, Certification .....                | 300      |
| Charging System .....                     | 62  | Lane Change, Signaling .....              | 76       |
| Cruise Control.....                       | 65  | Lap/Shoulder Belts .....                  | 14, 19   |
| Door Open .....                           | 64  | Light Control Dial.....                   | 76       |
| DRL (Daytime Running<br>Lights)** .....   | 65  |   |          |
| High Beam.....                            | 65  | Low Oil Pressure .....                    | 62       |
| In-Bed Trunk Open .....                   | 69  | Low Tire Pressure .....                   | 68       |
| Key (Immobilizer System) .....            | 63  | Maintenance Minder.....                   | 67       |
| Lights On .....                           | 66  | Malfunction Indicator Lamp<br>(MIL) ..... | 62       |
| Low Fuel .....                            | 65  | Side Airbag Off .....                     | 62       |
|   |     | Seat Belt.....                            | 61       |
|   |     | SRS .....                                 | 62       |
|   |     | Tailgate Open.....                        | 64       |
|   |     | Tire Pressure Monitor .....               | 68       |
|   |     | TPMS System .....                         | 68       |
|   |     | Turn Signal and Hazard<br>Warning .....   | 64       |
|   |     | VSA Activation.....                       | 67       |
|   |     | VSA System.....                           | 67       |
|   |     | VTM-4 .....                               | 66       |
|   |     | Washer Level .....                        | 65       |
|   |     | Individual Map Lights .....               | 119      |
|   |     | Infant Restraint .....                    | 37       |
|   |     | Infant Seats.....                         | 37       |
|   |     | Inflation, Proper Tire .....              | 266      |
|   |     | Information Display.....                  | 70       |
|   |     | Engine Oil Life Indicator .....           | 235      |
|   |     | Maintenance Items.....                    | 238, 242 |
|   |     | Inside Mirror .....                       | 110      |
|   |     | Inspection, Tire .....                    | 266      |

CONTINUED

# Index

Lights	
Bulb Replacement .....	255
Indicator .....	66
Interior .....	118
Parking .....	76
Turn Signal .....	76
Load Limits .....	187, 212
LOCK (Ignition Key Position) .....	82
Locks	
Anti-theft Steering Column .....	82
Fuel Fill Door .....	179
Glove Box .....	115
In-Bed Trunk .....	95
Lockout Prevention .....	83
Power Door .....	83
Low Coolant Level .....	182
Low Fuel Indicator .....	65
Low Oil Pressure Indicator ....	62, 288
Lubricant Specifications Chart ....	302
Luggage, Storing (Cargo) .....	186

## M

Maintenance .....	233
Owner's Maintenance	
Checks .....	241

Record .....	243-244
Minder .....	235-242
Minder Indicator .....	67
Safety .....	234
Malfunction Indicator Lamp ..	62, 289
Manual Seat Adjustments .....	98
Meters, Gauges .....	70
Mirrors, Adjusting .....	111
Modifying Your Vehicle .....	185
Moonroof .....	108

## N

Neutral Gear Position .....	199
New Vehicle Break-in .....	178
NOTICE, Explanation of .....	i
Numbers, Identification .....	300

## O

Octane Requirement, Gasoline ....	178
Odometer .....	70
Off-Highway Driving .....	227
Off-Road Precautions .....	228
Oil	
Change, How to .....	247

Change, When to .....	235
Checking Engine .....	182
Filter .....	247
Pressure Indicator .....	62, 288
Selecting Proper Viscosity	
Chart .....	246
ON (Ignition Key Position) .....	82
Outside Mirrors .....	111
Overheating, Engine .....	286
Owner's Maintenance Checks ....	241
Oxygenated Fuels .....	178

## P

Panel Brightness Control .....	78
Park Gear Position .....	198
Parking .....	206
Parking Brake .....	109
Parking Lights .....	76
Parking Over Things that Burn ...	309
PGM-FI System .....	308
Pickup Bed	
Carrying Cargo .....	189
Lights .....	120
Power Seat Adjustments .....	100
Power Socket Locations .....	116

Pregnancy, Using Seat Belts .....	16
Protecting Adults and Teens.....	11
Additional Safety Precautions....	17
Advice for Pregnant Women.....	16
Protecting Children .....	32
General Guidelines .....	32
Protecting Infants.....	37
Protecting Larger Children.....	49
Protecting Small Children .....	38
Using Child Seats with Tethers.....	46
Using LATCH .....	41

<b>R</b>
----------

Radiator Overheating.....	286
Radio/CD Sound System .....	133, 142, 148
Rear Differential Fluid .....	252
Rear Lights, Bulb Replacement ...	257
Rear View Mirror.....	110
Rear View Mirror with Compass.....	168
Rear (Back) Window.....	106
Reclining the Seat-Backs .....	98, 100
Remote Audio Controls.....	161

Remote Transmitter .....	89
Replacement Information Engine Oil and Filter .....	247
Fuses .....	291
Light Bulbs .....	255
Minder.....	242
Timing Belt.....	254
Tires .....	275
Wiper Blades.....	262
Replacing Seat Belts After a Crash .....	20
Reserve Tank, Engine Coolant ...	182
Reverse Gear Position.....	198
Rotation, Tire .....	267

<b>S</b>
----------

Safety Belts.....	8, 19
Safety Defects, Reporting* .....	314
Safety Features .....	7
Airbags.....	9
Door Locks .....	11
Head Restraints .....	13
Seat Belts .....	8, 18
Seats and Seat-Backs .....	11, 12
Safety Labels, Location of .....	54

Safety Messages .....	iii
Satellite Radio, XM* .....	142
Seat Belts.....	8, 18
Additional Information.....	18
Automatic Seat Belt Tensioners.....	19
Cleaning.....	261
Lap/Shoulder Belt.....	19
Maintenance.....	20
Reminder Light and Beeper.....	18, 61
System Components.....	18
Use During Pregnancy.....	16
Wearing a Lap/Shoulder Belt....	14
Seats .....	98
Adjusting the Seat .....	98, 100
Folding the Rear Seats.....	103
Head Restraints .....	102
Heater .....	104
Security System .....	164
Serial Number .....	300
Service Intervals .....	242
Service Manual, Purchasing* .....	315
Service Station Procedures .....	179

CONTINUED

# Index

---

Shifting the Automatic  
Transmission..... 197  
Shift Lever Position Indicators .... 197  
Shift Lock Release..... 202  
Side Airbags ..... 26  
Side Curtain Airbags ..... 28  
Side Marker (Parking)  
Lights, Bulb Replacement in.... 256  
Signaling Turns..... 76  
Snow Tires..... 269  
Sound System..... 133, 142, 148  
Spare Tire  
Inflating..... 265, 274  
Specifications ..... 269, 303  
Specifications Charts..... 302  
Speed Control..... 165  
Speedometer ..... 70  
SRS, Additional Information..... 21  
Additional Safety Precautions.... 31  
Airbag System Components..... 21  
Airbag Service..... 30  
How the Passenger Airbag Off  
Indicator Works..... 29  
How the Side Airbag Off  
Indicator Works..... 29  
How the SRS Indicator Works... 28

How Your Front Airbags  
Work..... 23  
How Your Side Airbags Work.... 26  
How Your Side Curtain Airbags  
Work..... 28  
SRS Indicator..... 28, 62  
START (Ignition Key Position) .... 82  
Starting the Engine..... 196  
With a Dead Battery ..... 284  
State Emissions Testing ..... 310  
Steam Coming from Engine..... 286  
Steering Wheel  
Adjustment ..... 79  
Anti-theft Column Lock ..... 82  
Stereo Sound System .... 133, 142, 148  
Storing Your Vehicle ..... 272  
Stuck Vehicle ..... 297  
Sun Visor..... 117  
Sunglasses Holder ..... 115  
Supplemental Restraint System  
(SRS)  
Servicing ..... 30  
SRS Indicator..... 28, 62  
System Components..... 21  
Synthetic Oil..... 247

## T

Tachometer ..... 70  
Tailgate, Dual-Action  
Indicator..... 64, 94  
Operation ..... 92  
Taillights, Changing Bulbs in..... 257  
Taking Care of the Unexpected .. 273  
Technical Descriptions  
DOT Tire Quality Grading\* ..... 304  
Emissions Control Systems..... 307  
Three Way Catalytic  
Converter..... 309  
Temperature Gauge ..... 72  
Tensioners, Seat Belts ..... 19  
Theft Protection..... 162  
Three Way Catalytic Converter... 309  
Timing Belt..... 254  
Tire Chains ..... 269  
Tire, How to Change a Flat ..... 275  
Tire Labeling..... 306  
Tire Pressure Monitoring  
System (TPMS) ..... 204  
Low Tire Pressure  
Indicator..... 68, 204

Required Federal Explanation.....	175
Tire Pressure Monitor .....	68, 205
TPMS Indicator .....	68, 205
Tires .....	265
Air Pressure .....	266
Checking Wear .....	266
Compact Spare .....	274
DOT Tire Quality Grading* .....	304
Inflation .....	265
Inspection .....	266
Maintenance.....	267
Replacing .....	268
Rotating.....	267
Snow .....	269
Specifications .....	269, 303
Tire Chains.....	269
Tools, Tire Changing .....	275
Towing	
A Trailer.....	212
Emergency Wrecker.....	296
Equipment .....	220
Equipment and Accessories.....	216
Weight Limit .....	212
Trailer Loading .....	214
Trailer Towing Tips .....	220

Transfer Assembly Fluid.....	253
Transmission	
Checking Fluid Level.....	251
Fluid Selection.....	252
Identification Number.....	301
Shifting the Automatic.....	197
Treadwear .....	304
Trip Meter .....	71
Trunk, In-Bed.....	95
Turn Signals .....	76

<b>U</b>
----------

Unexpected, Taking Care of the .....	273
Uniform Tire Quality Grading* ...	304
Unleaded Gasoline.....	178
Used Oil, How to Dispose of .....	248

<b>V</b>
----------

Vanity Mirror .....	117
Vehicle Capacity Load .....	187, 302
Vehicle Dimensions.....	302
Vehicle Identification Number.....	300

Vehicle Stability Assist (VSA) System.....	210
VSA System Indicator .....	67, 210
VSA Activation Indicator ...	67, 210
VSA Off Switch .....	211
Vehicle Storage.....	272
Ventilation .....	125
VIN .....	300
Viscosity, Oil.....	246
VTM-4 Lock .....	203

<b>W</b>
----------

WARNING, Explanation of .....	iii
Warning Labels, Location of .....	54
Warranty Coverages* .....	313
Washer, Windshield	
Checking the Fluid Level .....	250
Level Indicator .....	65
Operation .....	75
Wheels .....	264
Adjusting the Steering .....	79
Wrench .....	276

CONTINUED

# Index

---

Windows	
Operating the Power .....	105
Windshield	
Defroster .....	125
Washers .....	75
Wiper Zone, Heated .....	76, 127
Wipers, Windshield	
Changing Blades.....	262
Operation .....	75
Worn Tires .....	266
Wrecker, Emergency Towing.....	296

<b>X</b>
----------

XM Satellite Radio* .....	142
---------------------------	-----

\* : U.S. only

# Service Information Summary

---

**Gasoline:**

Unleaded gasoline, pump octane number of 87 or higher.

**Fuel Tank Capacity:**

22.01 US gal (83.3 ℓ)

**Recommended Engine Oil:**

API Premium grade 5W-20 detergent oil (see page [246](#)).

Oil change capacity (including filter):

4.5 US qt (4.3 ℓ)

**Automatic Transmission Fluid:**

Honda ATF-Z1 (Automatic Transmission Fluid) preferred, or a DEXRON® III ATF as a temporary replacement (see page [251](#)).

**Power Steering Fluid:**

Honda Power Steering Fluid preferred, or another brand of power steering fluid as a temporary replacement. Do not use ATF (see page [254](#)).

**Brake Fluid:**

Honda Heavy Duty Brake Fluid DOT 3 preferred, or a DOT 3 or DOT 4 brake fluid as a temporary replacement (see page [253](#)).

**Rear Differential Fluid:**

Honda VTM-4 Differential Fluid (see page [252](#)).

**Transfer Assembly Fluid:**

SAE 90 or SAE 80W-90 viscosity hypoid gear oil, API service classified GL4 or GL5 only (see page [253](#)).

**Tire Pressure (measured cold):**

Front/Rear:

32 psi (220 kPa , 2.2 kgf/cm<sup>2</sup>)

Compact Spare Tire:

60 psi (420 kPa , 4.2 kgf/cm<sup>2</sup>)