

SECTION IP
INSTRUMENT PANEL

A
 B
 C
 D
 E
 F
 G
 H
 I
IP
 K
 L
 M
 N
 O
 P

CONTENTS

PRECAUTION	2	Diagnostic Worksheet	8
PRECAUTIONS	2	ON-VEHICLE REPAIR	10
Precaution for Supplemental Restraint System (SRS) "AIR BAG" and "SEAT BELT PRE-TENSIONER"	2	INSTRUMENT PANEL ASSEMBLY	10
Precaution	2	Exploded View	10
PREPARATION	3	Removal and Installation	11
PREPARATION	3	CENTER CONSOLE ASSEMBLY	14
Special Service Tools	3	Removal and Installation	14
Commercial Service Tools	3	CLUSTER LID A	16
SYMPTOM DIAGNOSIS	4	Removal and Installation	16
SQUEAK AND RATTLE TROUBLE DIAGNOSES	4	DISASSEMBLY AND ASSEMBLY	17
Work Flow	4	CENTER CONSOLE ASSEMBLY	17
Generic Squeak and Rattle Troubleshooting	6	Exploded View	17
		Disassembly and Assembly	17

PRECAUTIONS

< PRECAUTION >

PRECAUTION

PRECAUTIONS

Precaution for Supplemental Restraint System (SRS) "AIR BAG" and "SEAT BELT PRE-TENSIONER"

INFOID:000000005789631

The Supplemental Restraint System such as "AIR BAG" and "SEAT BELT PRE-TENSIONER", used along with a front seat belt, helps to reduce the risk or severity of injury to the driver and front passenger for certain types of collision. This system includes seat belt switch inputs and dual stage front air bag modules. The SRS system uses the seat belt switches to determine the front air bag deployment, and may only deploy one front air bag, depending on the severity of a collision and whether the front occupants are belted or unbelted. Information necessary to service the system safely is included in the SR and SB section of this Service Manual.

WARNING:

- **To avoid rendering the SRS inoperative, which could increase the risk of personal injury or death in the event of a collision which would result in air bag inflation, all maintenance must be performed by an authorized NISSAN/INFINITI dealer.**
- **Improper maintenance, including incorrect removal and installation of the SRS, can lead to personal injury caused by unintentional activation of the system. For removal of Spiral Cable and Air Bag Module, see the SR section.**
- **Do not use electrical test equipment on any circuit related to the SRS unless instructed to in this Service Manual. SRS wiring harnesses can be identified by yellow and/or orange harnesses or harness connectors.**

PRECAUTIONS WHEN USING POWER TOOLS (AIR OR ELECTRIC) AND HAMMERS

WARNING:

- **When working near the Airbag Diagnosis Sensor Unit or other Airbag System sensors with the Ignition ON or engine running, DO NOT use air or electric power tools or strike near the sensor(s) with a hammer. Heavy vibration could activate the sensor(s) and deploy the air bag(s), possibly causing serious injury.**
- **When using air or electric power tools or hammers, always switch the Ignition OFF, disconnect the battery, and wait at least 3 minutes before performing any service.**

Precaution

INFOID:000000005434166

- Disconnect both battery cables in advance.
- Disconnect air bag system line in advance.
- Never tamper with or force air bag lid open, as this may adversely affect air bag performance.
- Be careful not to scratch pad and other parts.
- When removing or disassembling any part, be careful not to damage or deform it. Protect parts, which may get in the way with cloth.
- When removing parts with a screwdriver or other tool, protect parts by wrapping them with vinyl or tape.
- Keep removed parts protected with cloth.
- If a clip is deformed or damaged, replace it.
- If an un reusable part is removed, replace it with a new one.
- Tighten bolts and nuts firmly to the specified torque.
- After re-assembly has been completed, make sure each part functions correctly.
- Remove stains in the following way.

Water-soluble stains:

Dip a soft cloth in warm water, and then squeeze it tightly. After wiping the stain, wipe with a soft dry cloth.

Oil stain:

Dissolve a synthetic detergent in warm water (density of 2 to 3% or less), dip the cloth, then clean off the stain with the cloth. Next, dip the cloth in fresh water and squeeze it tightly. Then clean off the detergent completely. Then wipe the area with a soft dry cloth.

- Do not use any organic solvent, such as thinner or benzene.

PREPARATION

< PREPARATION >

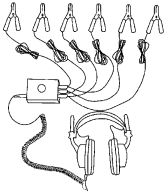
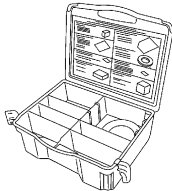
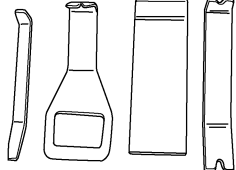
PREPARATION

PREPARATION

Special Service Tools

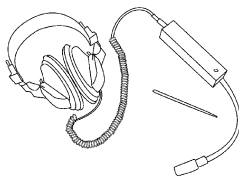

INFOID:000000005434167

The actual shapes of Kent-Moore tools may differ from those of special service tools illustrated here.

Tool number (Kent-Moore No.) Tool name	Description
<p>(J-39570) Chassis ear</p>  <p style="text-align: right;">SIIA0993E</p>	<p>Locating the noise</p>
<p>(J-43980) NISSAN Squeak and Rattle Kit</p>  <p style="text-align: right;">SIIA0994E</p>	<p>Repairing the cause of noise</p>
<p>— (J-46534) Trim Tool Set</p>  <p style="text-align: right;">AWJIA0483ZZ</p>	<p>Removing trim components</p>

Commercial Service Tools

INFOID:000000005434168

Tool name	Description
<p>Engine ear</p>  <p style="text-align: right;">SIIA0995E</p>	<p>Locating the noise</p>
<p>Power tool</p>  <p style="text-align: right;">PIIB1407E</p>	

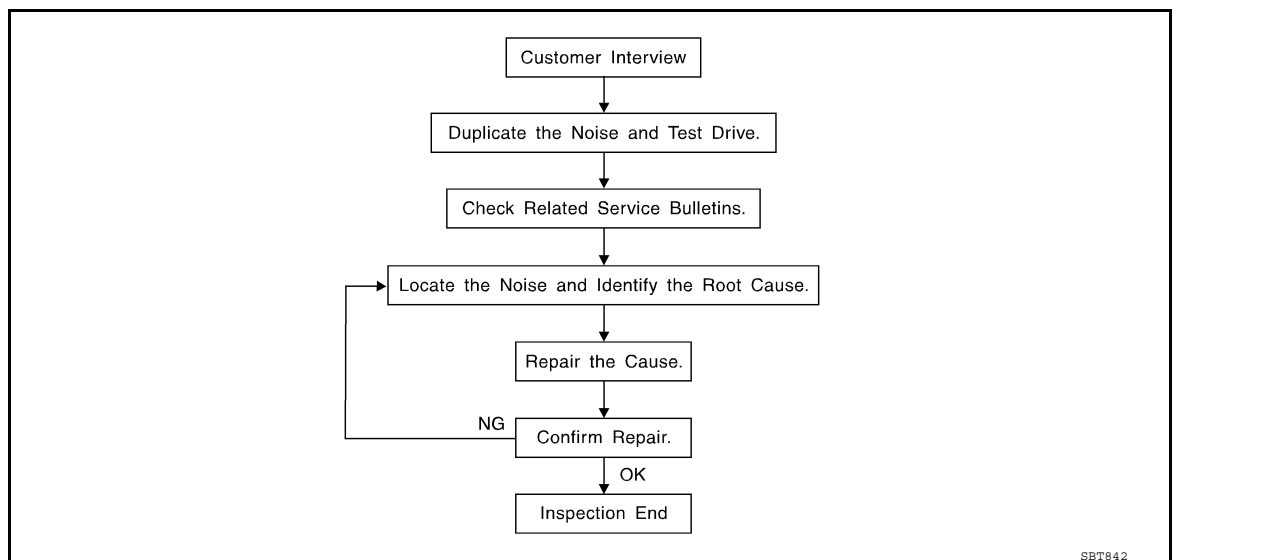
SQUEAK AND RATTLE TROUBLE DIAGNOSES

< SYMPTOM DIAGNOSIS >

SYMPTOM DIAGNOSIS

SQUEAK AND RATTLE TROUBLE DIAGNOSES

Work Flow



CUSTOMER INTERVIEW

Interview the customer if possible, to determine the conditions that exist when the noise occurs. Use the Diagnostic Worksheet during the interview to document the facts and conditions when the noise occurs and any customer's comments; refer to [IP-8, "Diagnostic Worksheet"](#). This information is necessary to duplicate the conditions that exist when the noise occurs.

- The customer may not be able to provide a detailed descriptions or the location of the noise. Attempt to obtain all the facts and conditions that exist when the noise occurs (or does not occur).
- If there is more than one noise in the vehicle, be sure to diagnose and repair the noise that the customer is concerned about. This can be accomplished by test driving the vehicle with the customer.
- After identifying the type of noise, isolate the noise in terms of its characteristics. The noise characteristics are provided so the customer, service adviser and technician are all speaking the same language when defining the noise.
- Squeak —(Like tennis shoes on a clean floor)
Squeak characteristics include the light contact/fast movement/brought on by road conditions/hard surfaces = higher pitch noise/softer surfaces = lower pitch noises/edge to surface = chirping
- Creak—(Like walking on an old wooden floor)
Creak characteristics include firm contact/slow movement/twisting with a rotational movement/pitch dependent on materials/often brought on by activity.
- Rattle—(Like shaking a baby rattle)
Rattle characteristics include the fast repeated contact/vibration or similar movement/loose parts/missing clip or fastener/incorrect clearance.
- Knock —(Like a knock on a door)
Knock characteristics include hollow sounding/sometimes repeating/often brought on by driver action.
- Tick—(Like a clock second hand)
Tick characteristics include gentle contacting of light materials/loose components/can be caused by driver action or road conditions.
- Thump—(Heavy, muffled knock noise)
Thump characteristics include softer knock/dead sound often brought on by activity.
- Buzz—(Like a bumble bee)
Buzz characteristics include high frequency rattle/firm contact.
- Often the degree of acceptable noise level will vary depending upon the person. A noise that you may judge as acceptable may be very irritating to the customer.
- Weather conditions, especially humidity and temperature, may have a great effect on noise level.

DUPLICATE THE NOISE AND TEST DRIVE

SQUEAK AND RATTLE TROUBLE DIAGNOSES

< SYMPTOM DIAGNOSIS >

If possible, drive the vehicle with the customer until the noise is duplicated. Note any additional information on the Diagnostic Worksheet regarding the conditions or location of the noise. This information can be used to duplicate the same conditions when you confirm the repair.

If the noise can be duplicated easily during the test drive, to help identify the source of the noise, try to duplicate the noise with the vehicle stopped by doing one or all of the following:

- 1) Close a door.
 - 2) Tap or push/pull around the area where the noise appears to be coming from.
 - 3) Rev the engine.
 - 4) Use a floor jack to recreate vehicle "twist".
 - 5) At idle, apply engine load (electrical load, half-clutch on M/T model, drive position on CVT model).
 - 6) Raise the vehicle on a hoist and hit a tire with a rubber hammer.
- Drive the vehicle and attempt to duplicate the conditions the customer states exist when the noise occurs.
 - If it is difficult to duplicate the noise, drive the vehicle slowly on an undulating or rough road to stress the vehicle body.

CHECK RELATED SERVICE BULLETINS

After verifying the customer concern or symptom, check ASIST for Technical Service Bulletins (TSBs) related to that concern or symptom.

If a TSB relates to the symptom, follow the procedure to repair the noise.

LOCATE THE NOISE AND IDENTIFY THE ROOT CAUSE

1. Narrow down the noise to a general area. To help pinpoint the source of the noise, use a listening tool (Chassis Ear: J-39570, Engine Ear and mechanics stethoscope).
2. Narrow down the noise to a more specific area and identify the cause of the noise by:
 - removing the components in the area that you suspect the noise is coming from.
Do not use too much force when removing clips and fasteners, otherwise clips and fastener can be broken or lost during the repair, resulting in the creation of new noise.
 - tapping or pushing/pulling the component that you suspect is causing the noise.
Do not tap or push/pull the component with excessive force, otherwise the noise will be eliminated only temporarily.
 - feeling for a vibration with your hand by touching the component(s) that you suspect is (are) causing the noise.
 - placing a piece of paper between components that you suspect are causing the noise.
 - looking for loose components and contact marks.
Refer to [IP-6, "Generic Squeak and Rattle Troubleshooting"](#).

REPAIR THE CAUSE

- If the cause is a loose component, tighten the component securely.
- If the cause is insufficient clearance between components:
 - separate components by repositioning or loosening and retightening the component, if possible.
 - insulate components with a suitable insulator such as urethane pads, foam blocks, felt cloth tape or urethane tape. A Nissan Squeak and Rattle Kit (J-43980) is available through your authorized Nissan Parts Department.

CAUTION:

Do not use excessive force as many components are constructed of plastic and may be damaged.

NOTE:

Always check with the Parts Department for the latest parts information.

The following materials are contained in the Nissan Squeak and Rattle Kit (J-43980). Each item can be ordered separately as needed.

URETHANE PADS [1.5 mm (0.059 in) thick]

Insulates connectors, harness, etc.

76268-9E005: 100 × 135 mm (3.94 × 5.31 in)/76884-71L01: 60 × 85 mm (2.36 × 3.35 in)/76884-71L02: 15 × 25 mm (0.59 × 0.98 in)

INSULATOR (Foam blocks)

Insulates components from contact. Can be used to fill space behind a panel.

73982-9E000: 45 mm (1.77 in) thick, 50 × 50 mm (1.97 × 1.97 in)/73982-

50Y00: 10 mm (0.39 in) thick, 50 × 50 mm (1.97 × 1.97 in)

INSULATOR (Light foam block)

80845-71L00: 30 mm (1.18 in) thick, 30 × 50 mm (1.18 × 1.97 in)

FELT CLOTH TAPE

Used to insulate where movement does not occur. Ideal for instrument panel applications.

SQUEAK AND RATTLE TROUBLE DIAGNOSES

< SYMPTOM DIAGNOSIS >

68370-4B000: 15 × 25 mm (0.59 × 0.98 in) pad/68239-13E00: 5 mm (0.20 in) wide tape roll

The following materials, not found in the kit, can also be used to repair squeaks and rattles.

UHMW (TEFLON) TAPE

Insulates where slight movement is present. Ideal for instrument panel applications.

SILICONE GREASE

Used in place of UHMW tape that will be visible or not fit. Will only last a few months.

SILICONE SPRAY

Use when grease cannot be applied.

DUCT TAPE

Use to eliminate movement.

CONFIRM THE REPAIR

Confirm that the cause of a noise is repaired by test driving the vehicle. Operate the vehicle under the same conditions as when the noise originally occurred. Refer to the notes on the Diagnostic Worksheet.

Generic Squeak and Rattle Troubleshooting

INFOID:000000005789633

Refer to Table of Contents for specific component removal and installation information.

INSTRUMENT PANEL

Most incidents are caused by contact and movement between:

1. Acrylic lens and combination meter housing
2. Instrument panel to front pillar finishers
3. Instrument panel to windshield
4. Instrument panel mounting pins
5. Wiring harnesses behind the combination meter

6. A/C defroster duct and duct joint

These incidents can usually be located by tapping or moving the components to duplicate the noise or by pressing on the components while driving to stop the noise. Most of these incidents can be repaired by applying felt cloth tape or silicone spray (in hard to reach areas). Urethane pads can be used to insulate wiring harness.

CAUTION:

Do not use silicone spray to isolate a squeak or rattle. If you saturate the area with silicone, you will not be able to recheck the repair.

CENTER CONSOLE

Components to pay attention to include:

1. Shifter assembly cover to finisher
2. A/C control unit and cluster lid C
3. Wiring harnesses behind audio and A/C control unit

The instrument panel repair and isolation procedures also apply to the center console.

DOORS

Pay attention to the:

1. Finisher and inner panel making a slapping noise
2. Inside handle escutcheon to door finisher
3. Wiring harnesses tapping
4. Door striker out of alignment causing a popping noise on starts and stops

Tapping or moving the components or pressing on them while driving to duplicate the conditions can isolate many of these incidents. You can usually insulate the areas with felt cloth tape or insulator foam blocks from the Nissan Squeak and Rattle Kit (J-43980) to repair the noise.

TRUNK

Trunk noises are often caused by a loose jack or loose items put into the trunk by the owner.

In addition look for:

1. Trunk lid bumpers out of adjustment
2. Trunk lid striker out of adjustment
3. The trunk lid torsion bars knocking together

SQUEAK AND RATTLE TROUBLE DIAGNOSES

< SYMPTOM DIAGNOSIS >

4. A loose license plate or bracket

Most of these incidents can be repaired by adjusting, securing or insulating the item(s) or component(s) causing the noise.

SUNROOF/HEADLINING

Noises in the sunroof/headlining area can often be traced to one of the following:

1. Sunroof lid, rail, linkage or seals making a rattle or light knocking noise
2. Sunvisor shaft shaking in the holder
3. Front or rear windshield touching headlining and squeaking

Again, pressing on the components to stop the noise while duplicating the conditions can isolate most of these incidents. Repairs usually consist of insulating with felt cloth tape.

OVERHEAD CONSOLE (FRONT AND REAR)

Overhead console noises are often caused by the console panel clips not being engaged correctly. Most of these incidents are repaired by pushing up on the console at the clip locations until the clips engage.

In addition, look for:

1. Loose harness or harness connectors.
2. Front console map/reading lamp lens loose.
3. Loose screws at console attachment points.

SEATS

When isolating seat noise it's important to note the position the seat is in and the load placed on the seat when the noise is present. These conditions should be duplicated when verifying and isolating the cause of the noise.

Cause of seat noise include:

1. Headrest rods and holder
2. A squeak between the seat pad cushion and frame
3. The rear seatback lock and bracket

These noises can be isolated by moving or pressing on the suspected components while duplicating the conditions under which the noise occurs. Most of these incidents can be repaired by repositioning the component or applying urethane tape to the contact area.

UNDERHOOD

Some interior noise may be caused by components under the hood or on the engine wall. The noise is then transmitted into the passenger compartment.

Causes of transmitted underhood noise include:

1. Any component mounted to the engine wall
2. Components that pass through the engine wall
3. Engine wall mounts and connectors
4. Loose radiator mounting pins
5. Hood bumpers out of adjustment
6. Hood striker out of adjustment

These noises can be difficult to isolate since they cannot be reached from the interior of the vehicle. The best method is to secure, move or insulate one component at a time and test drive the vehicle. Also, engine RPM or load can be changed to isolate the noise. Repairs can usually be made by moving, adjusting, securing, or insulating the component causing the noise.

A
B
C
D
E
F
G
H
I
IP
K
L
M
N
O
P

SQUEAK AND RATTLE TROUBLE DIAGNOSES

< SYMPTOM DIAGNOSIS >

Diagnostic Worksheet

INFOID:000000005789634

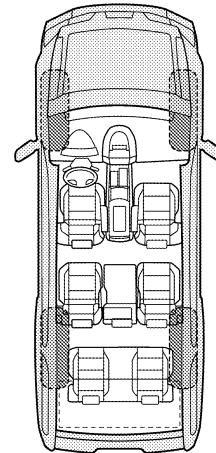
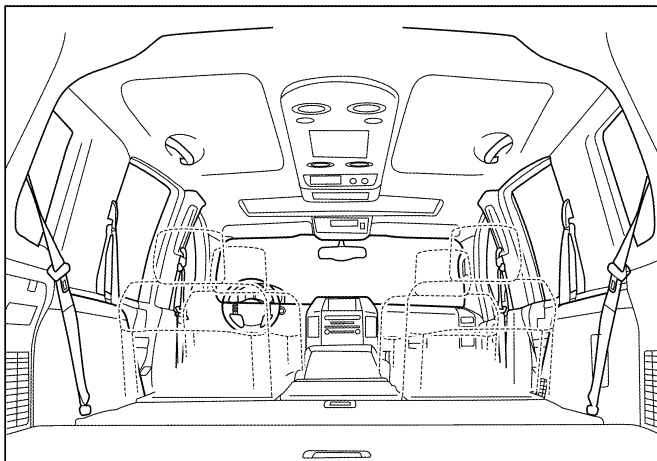
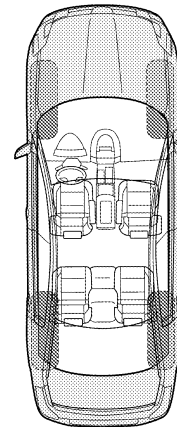
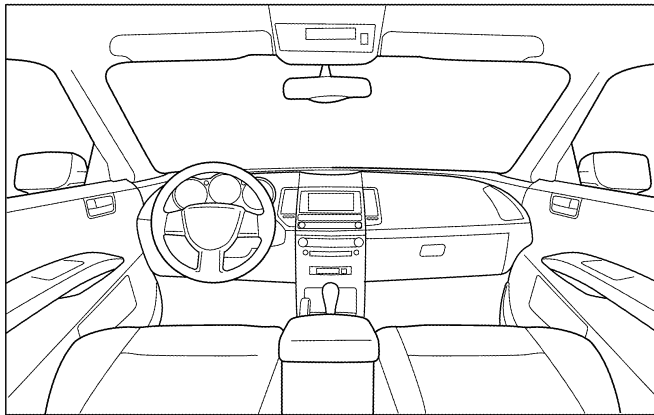
Dear Customer:

We are concerned about your satisfaction with your vehicle. Repairing a squeak or rattle sometimes can be very difficult. To help us fix your vehicle right the first time, please take a moment to note the area of the vehicle where the squeak or rattle occurs and under what conditions. You may be asked to take a test drive with a service advisor or technician to ensure we confirm the noise you are hearing.

SQUEAK & RATTLE DIAGNOSTIC WORKSHEET

I. WHERE DOES THE NOISE COME FROM? (circle the area of the vehicle)

The illustrations are for reference only, and may not reflect the actual configuration of your vehicle.



Continue to page 2 of the worksheet and briefly describe the location of the noise or rattle. In addition, please indicate the conditions which are present when the noise occurs.

SQUEAK AND RATTLE TROUBLE DIAGNOSES

< SYMPTOM DIAGNOSIS >

SQUEAK & RATTLE DIAGNOSTIC WORKSHEET - page 2

Briefly describe the location where the noise occurs:

II. WHEN DOES IT OCCUR? (please check the boxes that apply)

- | | |
|---|--|
| <input type="checkbox"/> Anytime | <input type="checkbox"/> After sitting out in the rain |
| <input type="checkbox"/> 1st time in the morning | <input type="checkbox"/> When it is raining or wet |
| <input type="checkbox"/> Only when it is cold outside | <input type="checkbox"/> Dry or dusty conditions |
| <input type="checkbox"/> Only when it is hot outside | <input type="checkbox"/> Other: |

III. WHEN DRIVING:

- Through driveways
- Over rough roads
- Over speed bumps
- Only about ____ mph
- On acceleration
- Coming to a stop
- On turns: left, right or either (circle)
- With passengers or cargo
- Other: _____
- After driving ____ miles or ____ minutes

IV. WHAT TYPE OF NOISE

- Squeak (like tennis shoes on a clean floor)
- Creak (like walking on an old wooden floor)
- Rattle (like shaking a baby rattle)
- Knock (like a knock at the door)
- Tick (like a clock second hand)
- Thump (heavy muffled knock noise)
- Buzz (like a bumble bee)

TO BE COMPLETED BY DEALERSHIP PERSONNEL

Test Drive Notes:

	YES	NO	Initials of person performing
Vehicle test driven with customer	<input type="checkbox"/>	<input type="checkbox"/>	_____
- Noise verified on test drive	<input type="checkbox"/>	<input type="checkbox"/>	_____
- Noise source located and repaired	<input type="checkbox"/>	<input type="checkbox"/>	_____
- Follow up test drive performed to confirm repair	<input type="checkbox"/>	<input type="checkbox"/>	_____

VIN: _____ Customer Name _____

W.O.# _____ Date: _____

This form must be attached to Work Order

LAI0071E

INSTRUMENT PANEL ASSEMBLY

< ON-VEHICLE REPAIR >

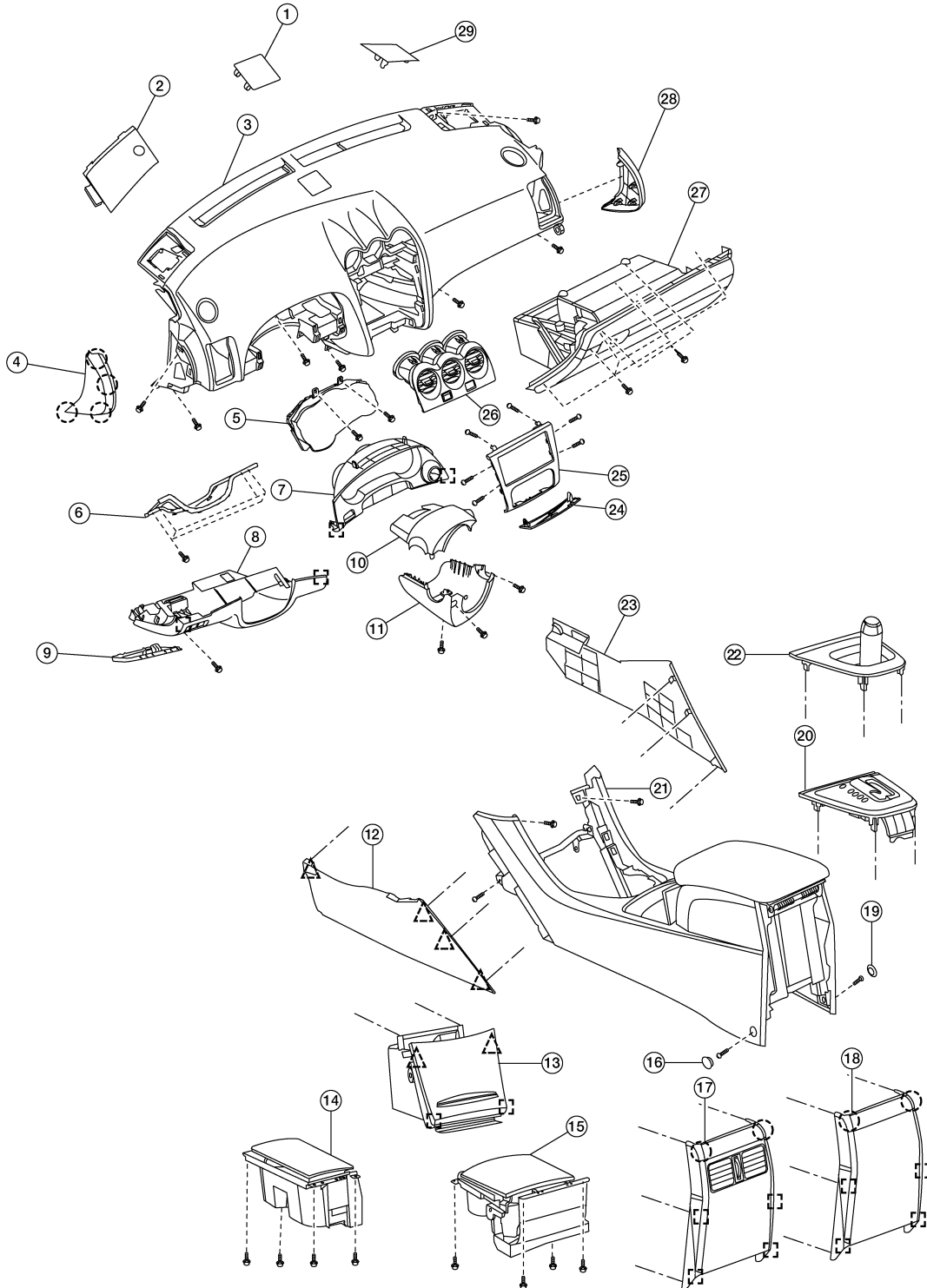
ON-VEHICLE REPAIR

INSTRUMENT PANEL ASSEMBLY

Exploded View

INFOID:000000005434172

SEC. 680



AWJIA0492ZZ

INSTRUMENT PANEL ASSEMBLY

< ON-VEHICLE REPAIR >

- | | | |
|---------------------------------|--|---|
| 1. Center speaker grille | 2. Tweeter speaker grille (LH) | 3. Instrument panel |
| 4. Instrument side mask (LH) | 5. Combination meter | 6. Lower knee protector (LH) |
| 7. Cluster lid A | 8. Instrument lower cover (LH) | 9. Fuse block cover |
| 10. Steering column cover upper | 11. Steering column cover lower | 12. Console side finisher (LH) |
| 13. Storage bin | 14. Cup holder M/T | 15. Cup holder CVT |
| 16. Console screw cover (LH) | 17. Console rear finisher (if equipped with rear duct) | 18. Console rear finisher (without rear duct) |
| 19. Console screw cover (RH) | 20. CVT finisher | 21. Console |
| 22. M/T finisher | 23. Console side finisher (RH) | 24. Cluster lid D |
| 25. Cluster lid C | 26. Center ventilator grilles | 27. Glove box assembly |
| 28. Instrument side mask (RH) | 29. Tweeter speaker grille (RH) | △ Clip |

□ Metal clip

○ Pawl

Removal and Installation

INFOID:000000005434173

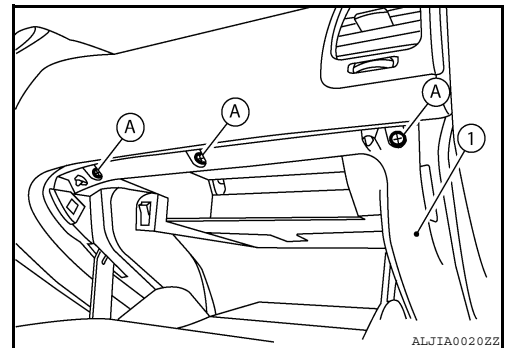
CAUTION:

- Disconnect both battery terminals, then wait at least three minutes.
- Never tamper with or force air bag lid open, as this may adversely affect air bag performance.
- Be careful not to scratch instrument panel pad and other parts.

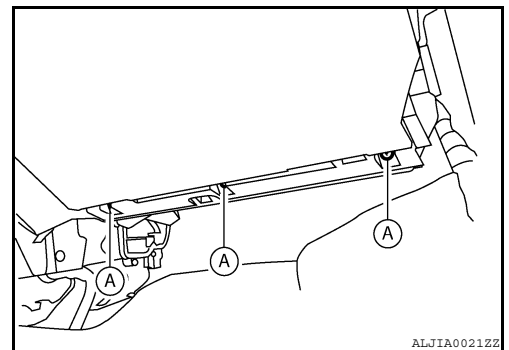
REMOVAL

1. Remove the center console. Refer to [IP-14, "Removal and Installation"](#)
2. Disconnect both the negative and positive battery terminals, then wait at least three minutes.
3. Remove the A-pillar finishers, then partially remove front door welts and set aside. Refer to [INT-14, "Removal and Installation"](#).

4. Open the glove box door (1), remove the glove box assembly screws (A).



5. Remove the glove box assembly lower screws (A), then remove the glove box assembly.

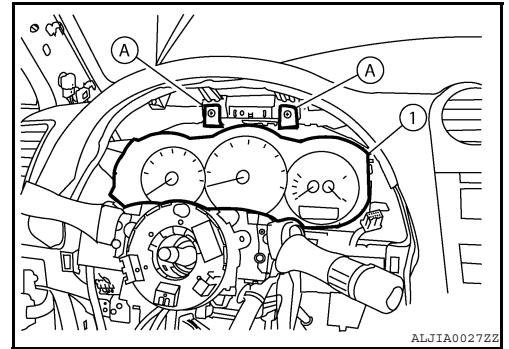


6. Remove the steering wheel. Refer to [ST-12, "Removal and Installation"](#).
7. Remove cluster lid A. Refer to [IP-16, "Removal and Installation"](#).

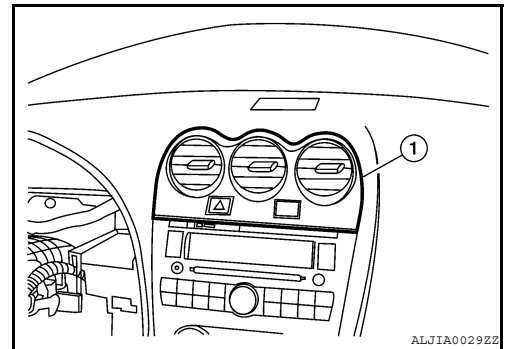
INSTRUMENT PANEL ASSEMBLY

< ON-VEHICLE REPAIR >

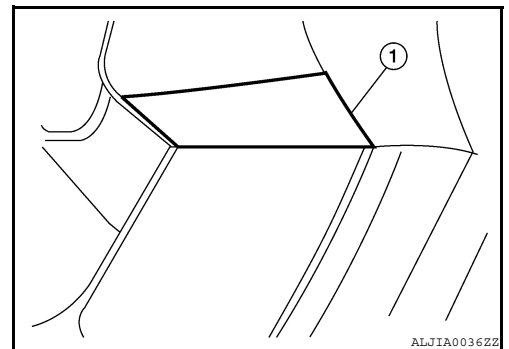
8. Remove the combination meter screws (A), then remove the combination meter (1).
 - Disconnect the harness connector.



9. Remove the spiral cable. Refer to [SR-7, "Removal and Installation"](#).
10. Remove the wiper and washer switch ([WW-91, "Removal and Installation"](#)), and the lighting and turn signal switch ([EXL-226, "Removal and Installation"](#)).
11. Remove the center ventilator grilles (1). Refer to [VTL-24, "CENTER VENTILATOR GRILLES : Removal and Installation"](#).



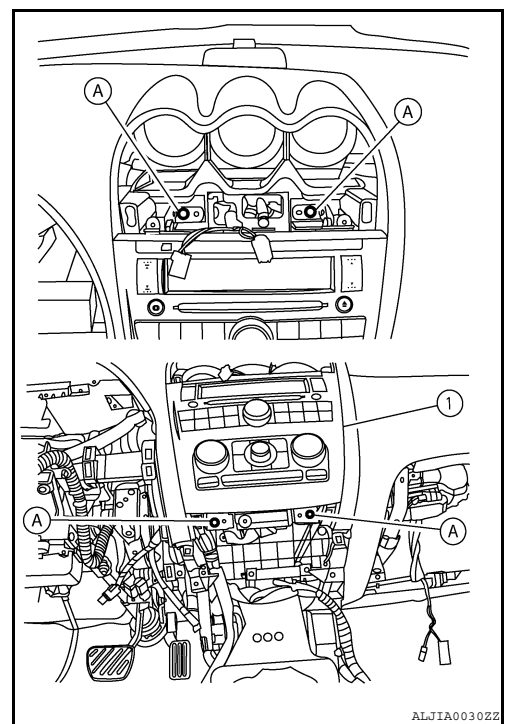
12. Using a suitable tool, release the pawls and remove cluster lid D (1).



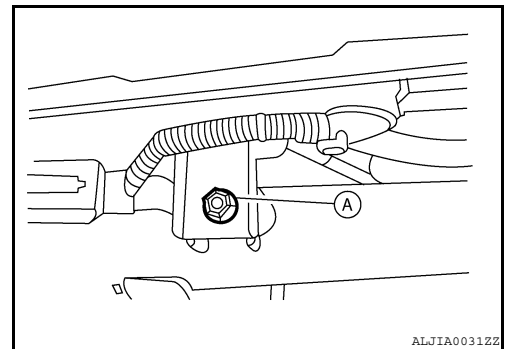
INSTRUMENT PANEL ASSEMBLY

< ON-VEHICLE REPAIR >

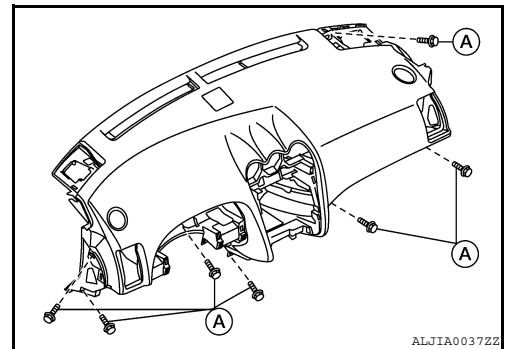
13. Remove the cluster lid C assembly upper and lower screws (A), then remove the cluster lid C assembly (1).
 - Disconnect the harness connectors.



14. Remove both tweeter speaker grilles and disconnect the harness connectors.
15. Remove the passenger air bag bolt (A).



16. Remove the remaining instrument panel screws (A).



17. Disconnect the audio harness connector located near the RH A-pillar.
18. Lift the instrument panel high enough in order to disconnect all the necessary harness connectors, then remove the instrument panel.

INSTALLATION

Installation is in the reverse order of removal.

- If replacing the Instrument panel transfer all the necessary parts to the new instrument panel.

A
B
C
D
E
F
G
H
I
IP
K
L
M
N
O
P

CENTER CONSOLE ASSEMBLY

< ON-VEHICLE REPAIR >

CENTER CONSOLE ASSEMBLY

Removal and Installation

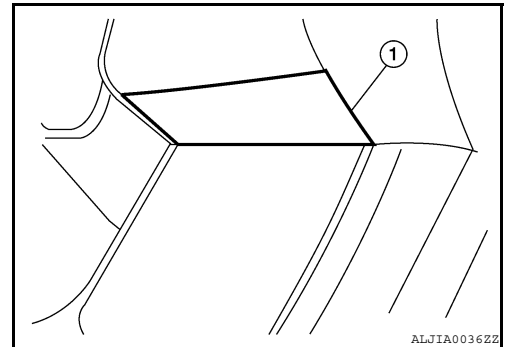
INFOID:000000005789627

REMOVAL

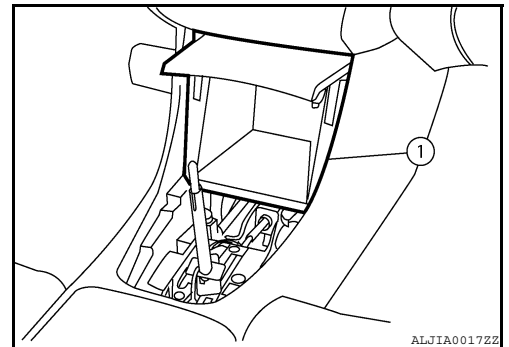
CAUTION:

Be careful not to scratch center console finishers and other parts.

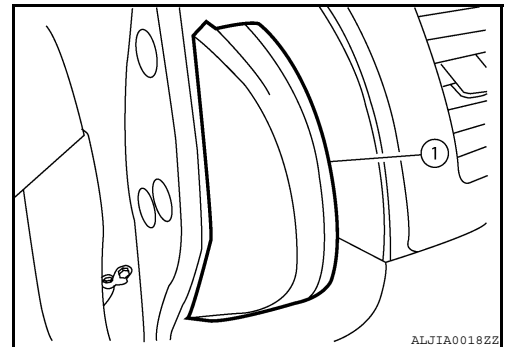
1. Move shift lever into the drive (D) position (CVT) or neutral position (M/T), then remove shift lever handle. Refer to [TM-252, "Removal and Installation"](#) (CVT: RE0F09B), [TM-424, "Removal and Installation"](#) (CVT: RE0F10A), [TM-22, "Removal and Installation"](#) (6M/T: RS6F52A).
2. Remove the cluster lid D (1).



3. Release the clips using a suitable tool, then lift the CVT or M/T finisher upward to remove. Refer to [TM-252, "Removal and Installation"](#).
4. Remove the storage bin (1).



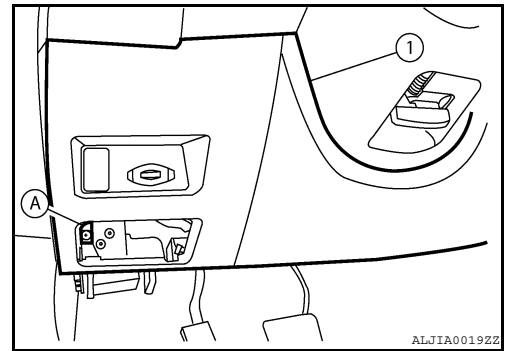
5. Remove both instrument side masks (1).



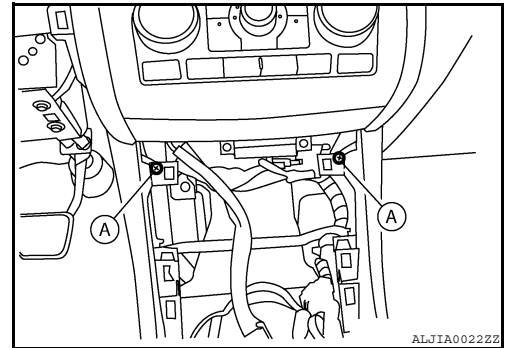
CENTER CONSOLE ASSEMBLY

< ON-VEHICLE REPAIR >

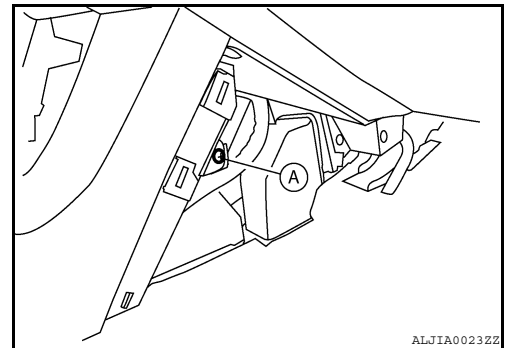
6. Open the fuse block cover, remove the instrument lower cover screw (A), then remove the instrument lower cover (1). Disconnect the aspirator tube and the harness connectors.



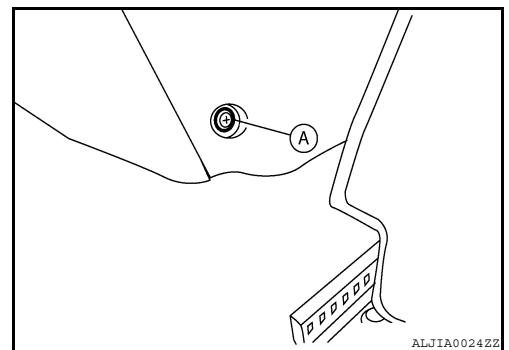
7. Remove both the console side finishers.
8. Remove the console upper screws (A).



9. Remove the console side screws (A).



10. Position both RH and LH front seats forward.
11. Remove both the console rear screw covers, then remove the rear screws (A), then remove the console assembly.



INSTALLATION

Installation is in the reverse order of removal.

A
B
C
D
E
F
G
H
I
IP
K
L
M
N
O
P

CLUSTER LID A

< ON-VEHICLE REPAIR >

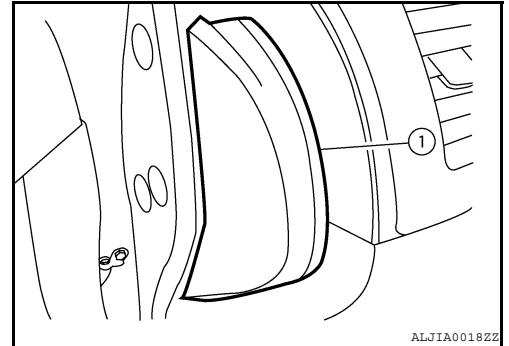
CLUSTER LID A

Removal and Installation

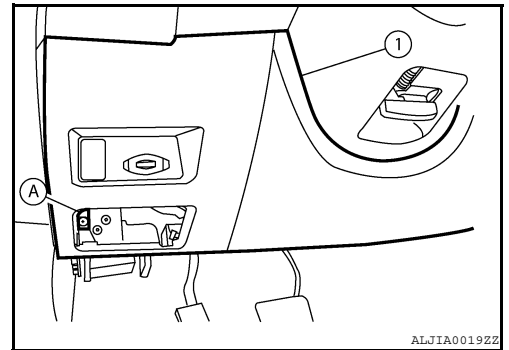
INFOID:000000005806135

REMOVAL

1. Remove instrument side mask LH.



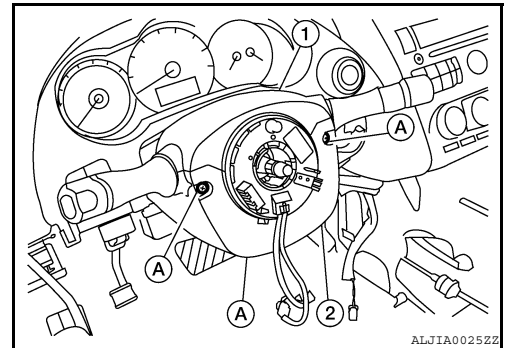
2. Open the fuse block cover, remove the instrument lower cover screw (A), then remove the instrument lower cover LH (1).



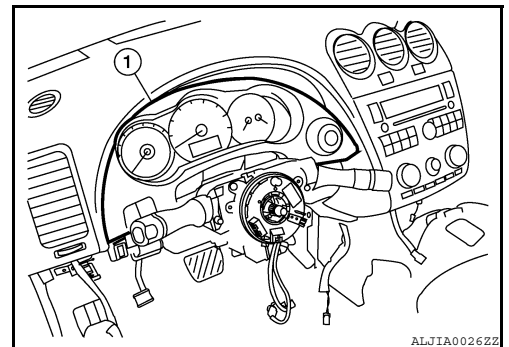
3. Remove the steering column cover screws (A), then remove both the steering wheel column upper (1) and lower (2) covers.

NOTE:

Shown with steering wheel removed for clarity. If necessary, rotate steering wheel to access steering column cover screws (A).



4. Release the clips and remove the cluster lid A (1), then disconnect the harness connectors.



INSTALLATION

Installation is in the reverse order of removal.

CENTER CONSOLE ASSEMBLY

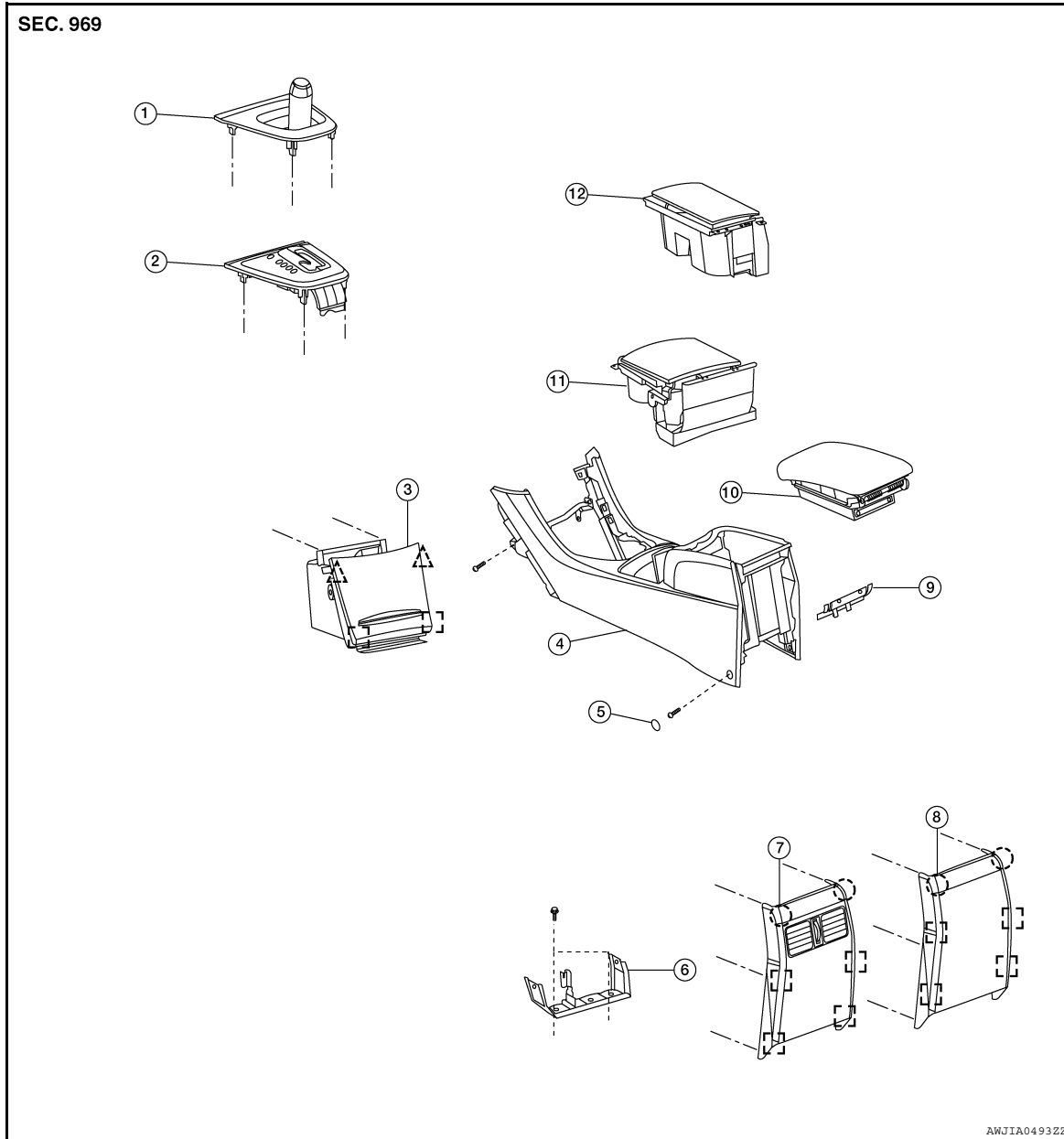
< DISASSEMBLY AND ASSEMBLY >

DISASSEMBLY AND ASSEMBLY

CENTER CONSOLE ASSEMBLY

Exploded View

INFOID:000000005434174



- | | | |
|---|--|---------------------------------|
| 1. M/T finisher | 2. CVT finisher | 3. Storage bin (if equipped) |
| 4. Console | 5. Console screw cover (LH) | 6. Console floor bracket |
| 7. Console rear finisher (with rear duct) | 8. Console rear finisher (without rear duct) | 9. Console lid assembly bracket |
| 10. Console lid assembly | 11. Cup holder CVT | 12. Cup holder M/T |
| Clip | Pawl | Metal clip |

Disassembly and Assembly

INFOID:000000005434175

DISASSEMBLY

1. Remove the console assembly. Refer to [IP-14, "Removal and Installation"](#).

A
B
C
D
E
F
G
H
I
IP
K
L
M
N
O
P

CENTER CONSOLE ASSEMBLY

< DISASSEMBLY AND ASSEMBLY >

2. Remove the cup holder screws and then remove the cup holder assembly.
3. Remove the console lid screws and remove the console lid.
4. Remove the console rear finisher.
5. Remove the console lid assembly bracket.
6. Remove the power socket from the console. Refer to [PWO-5, "Removal and Installation"](#).

ASSEMBLY

Assembly is in the reverse order of disassembly.